



US00D910428S

(12) **United States Design Patent** (10) **Patent No.:** **US D910,428 S**
Fildan et al. (45) **Date of Patent:** **** Feb. 16, 2021**

- (54) **FASTENER WITH PLUG**
- (71) Applicants: **Gerhard Fildan**, Vienna (AT); **Karl Wanzenböck**, Teesdorf (AT)
- (72) Inventors: **Gerhard Fildan**, Vienna (AT); **Karl Wanzenböck**, Teesdorf (AT)
- (73) Assignee: **Dubrosky & Tracy Patent Service Corp.**, Central (HK)
- (**) Term: **15 Years**
- (21) Appl. No.: **29/722,011**
- (22) Filed: **Jan. 24, 2020**

Related U.S. Application Data

- (63) Continuation of application No. 16/751,272, filed on Jan. 24, 2020.
- (51) **LOC (13) Cl.** **08-08**
- (52) **U.S. Cl.**
USPC **D8/385**
- (58) **Field of Classification Search**
USPC D8/385, 387, 388, 391, 393, 382
CPC F16B 13/08; F16B 15/00; F16B 13/126;
F16B 13/128; F16B 13/14; F16B 13/141;
F16B 2013/007; F16B 13/004; F16B
13/0858
See application file for complete search history.

(56) **References Cited**

U.S. PATENT DOCUMENTS

- D92,879 S * 7/1934 Canter D8/388
- 2,014,746 A * 9/1935 Robergel B21G 3/005
470/34
- 2,231,178 A * 2/1941 Beckwith E04H 17/10
411/474
- D178,039 S * 6/1956 Coleman D8/393

- D263,557 S * 3/1982 Einhorn D8/385
- D371,294 S * 7/1996 Anquetin D8/382
- 6,042,317 A * 3/2000 Fischer F16B 19/004
411/508
- D577,285 S * 9/2008 Gaudron D8/385
- D716,644 S * 11/2014 Daniels D8/391
- D843,200 S * 3/2019 Tjerrild D8/385
- D891,235 S * 7/2020 Liebelt D8/382
- 2004/0136811 A1 * 7/2004 Tarlton F16B 15/00
411/451.4
- 2005/0002751 A1 * 1/2005 Holland F16B 13/08
411/80.1
- 2007/0160442 A1 * 7/2007 Reynolds F16B 15/06
411/451.1
- 2008/0131231 A1 * 6/2008 Kuna E03C 1/0402
411/433
- 2008/0175689 A1 * 7/2008 Vagedes F16B 15/00
411/487
- 2013/0108396 A1 * 5/2013 Hung F16B 15/00
411/451.1

(Continued)

Primary Examiner — Sandra Snapp
Assistant Examiner — Ieisha N Price
(74) *Attorney, Agent, or Firm* — Kintner IP, LLC; Mary Frances Ludwig

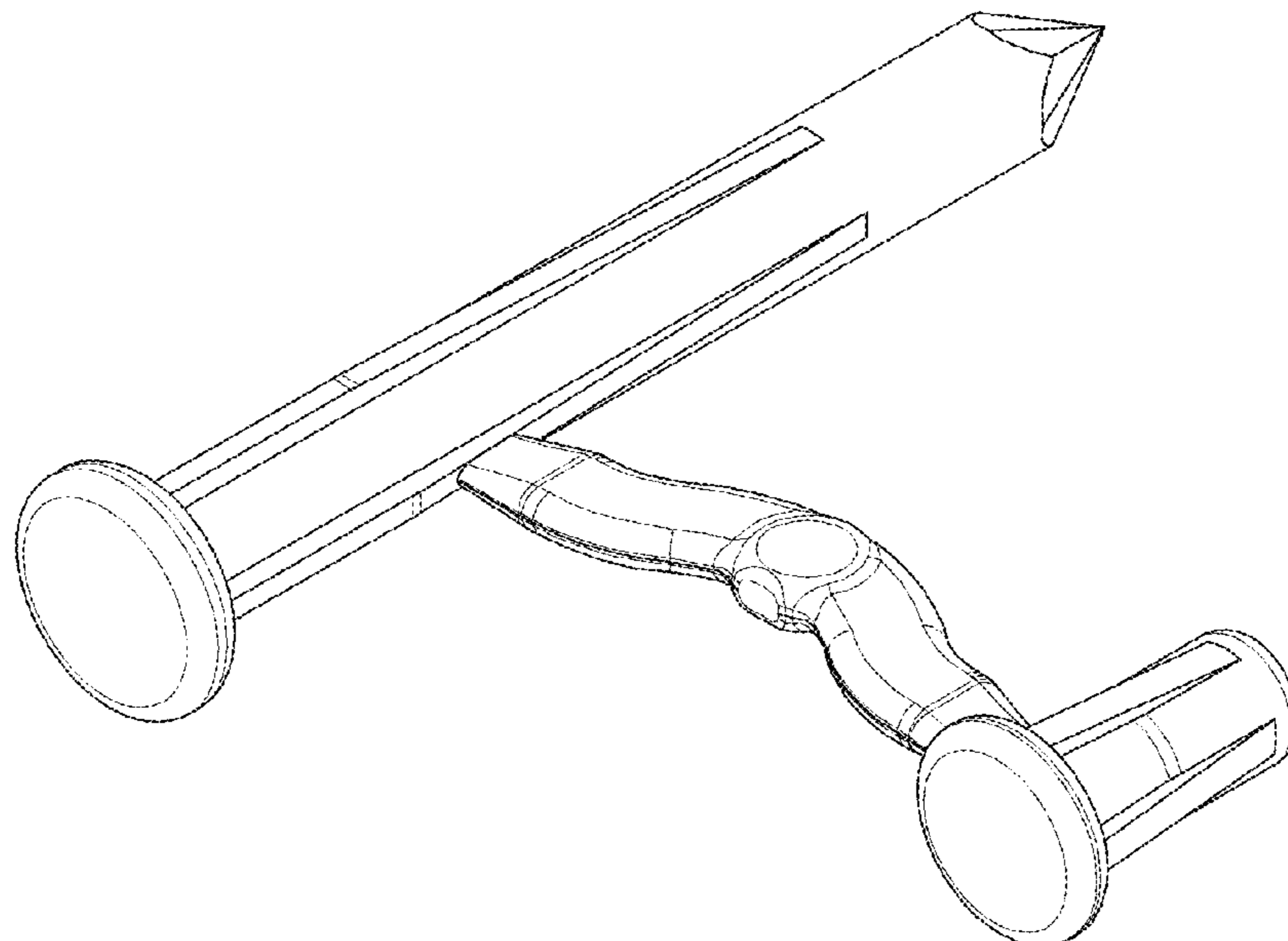
(57) **CLAIM**

The ornamental design for a fastener with plug, as shown.

DESCRIPTION

FIG. 1 is a front elevation view of a fastener with plug showing our new design;
FIG. 2 is a left side elevation view of the fastener with plug;
FIG. 3 is a right side elevation view of the fastener with plug;
FIG. 4 is a rear elevation view of the fastener with plug;
FIG. 5 is a top plan view of the fastener with plug;
FIG. 6 is bottom plan view of the fastener with plug; and,
FIG. 7 is a perspective view of the fastener with plug.

1 Claim, 4 Drawing Sheets



(56)

References Cited

U.S. PATENT DOCUMENTS

2017/0211605 A1* 7/2017 Nehl F16B 13/124

* cited by examiner

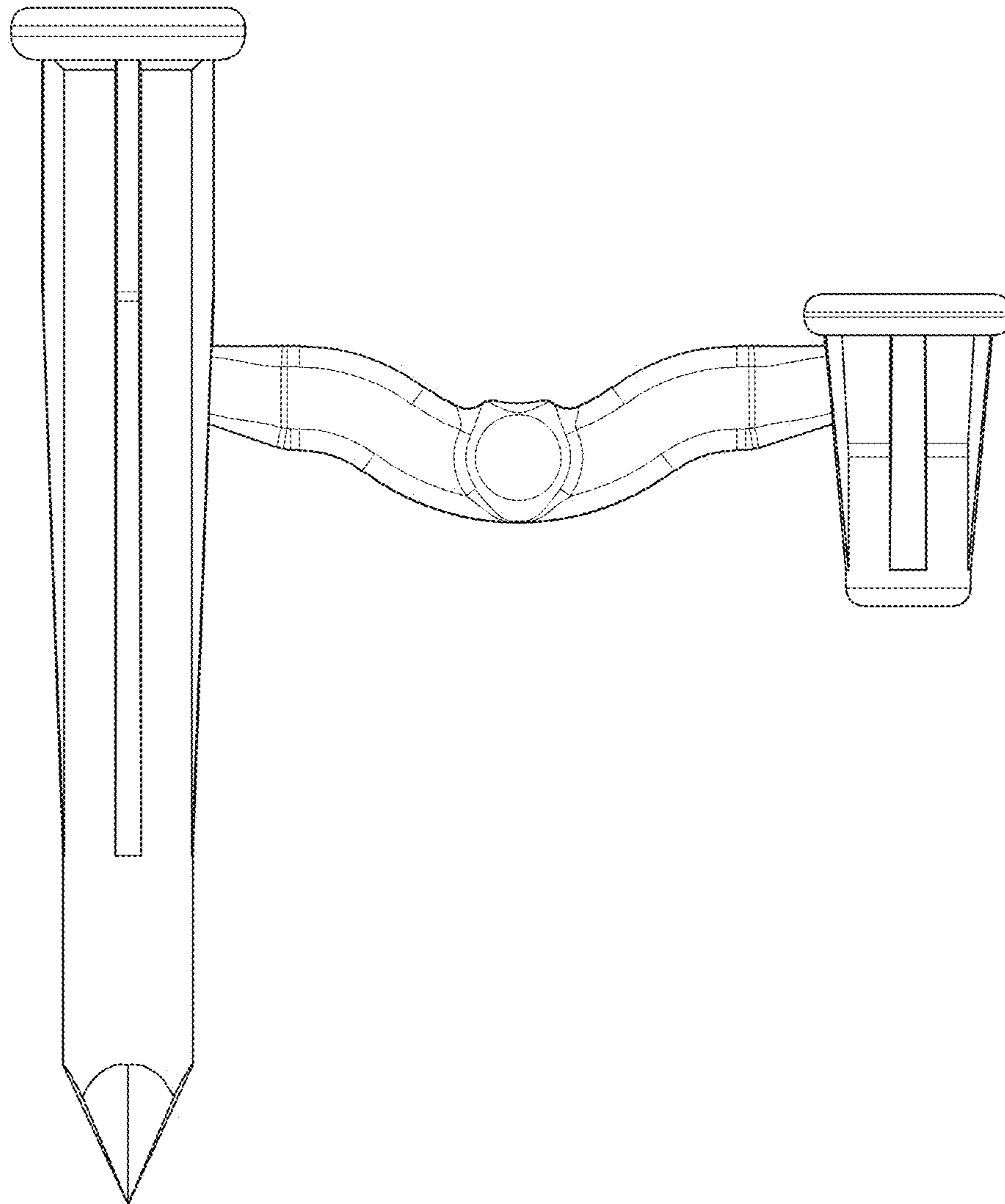


FIG. 1

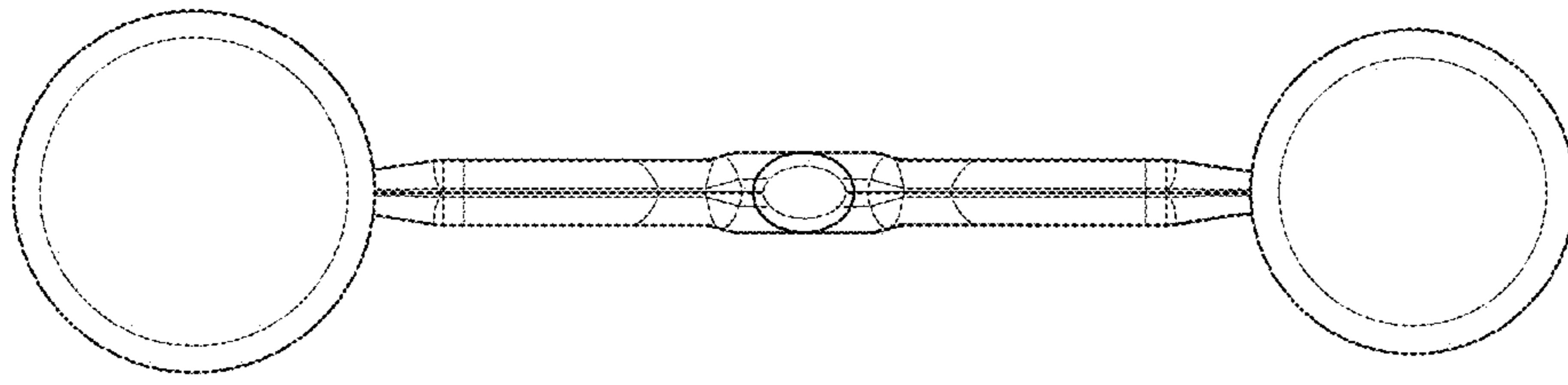


FIG. 5

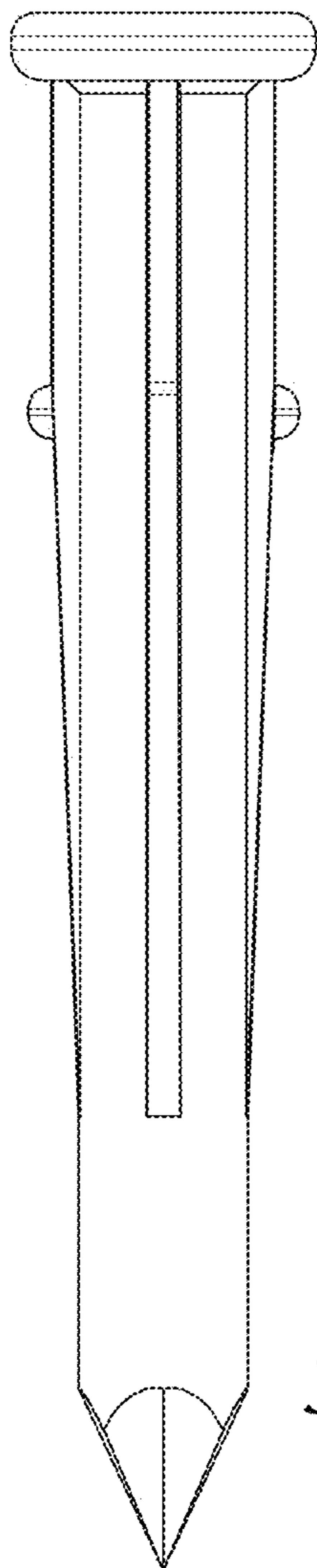


FIG. 2

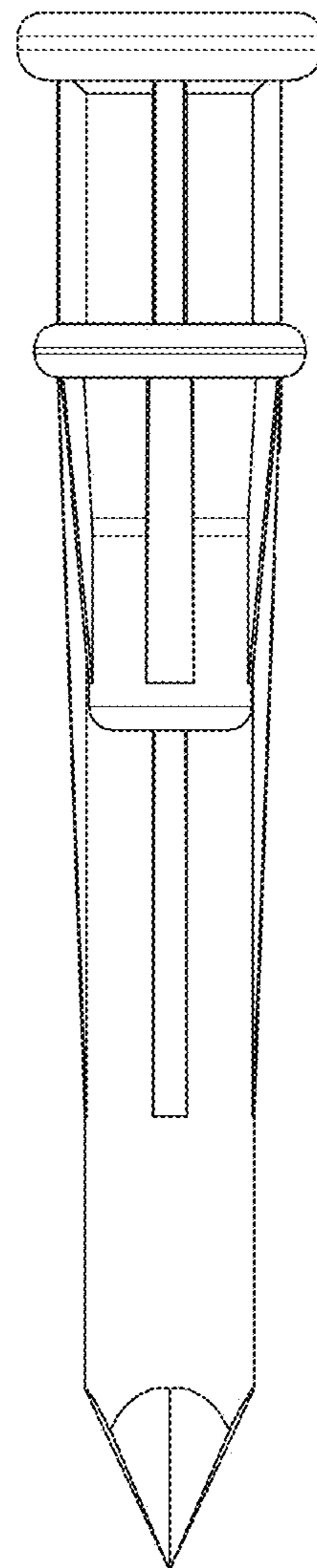


FIG. 3

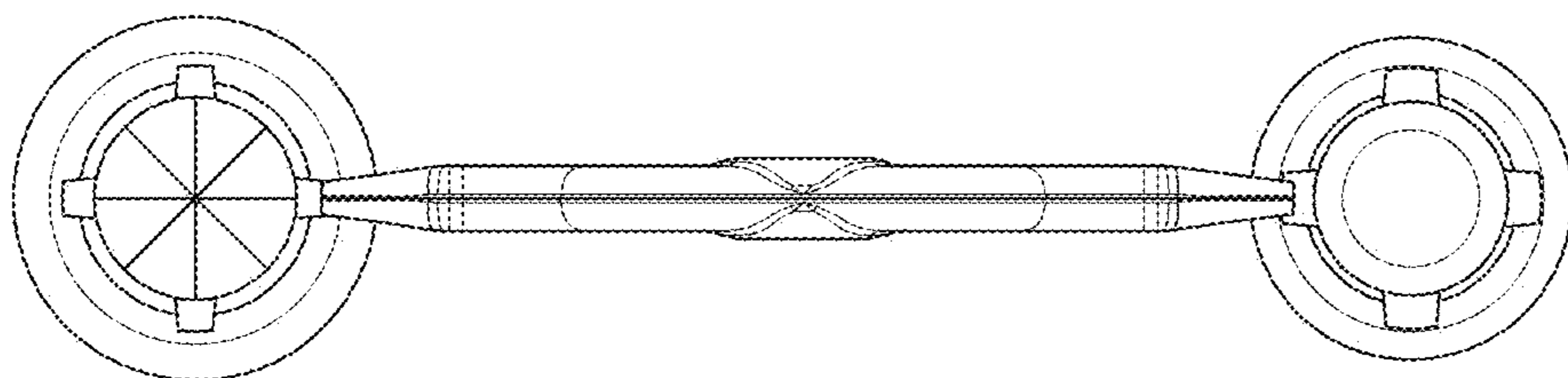


FIG. 6

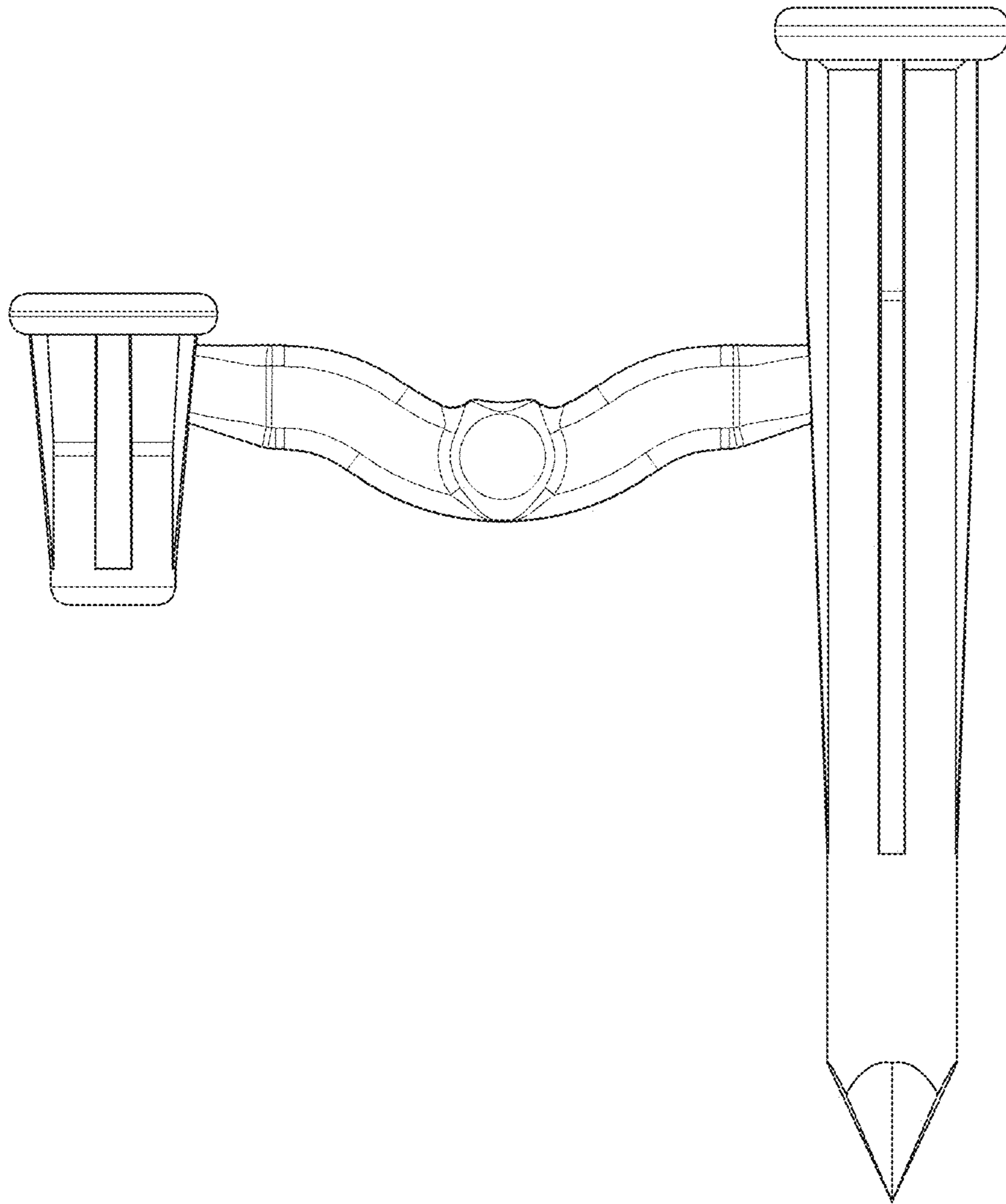


FIG. 4

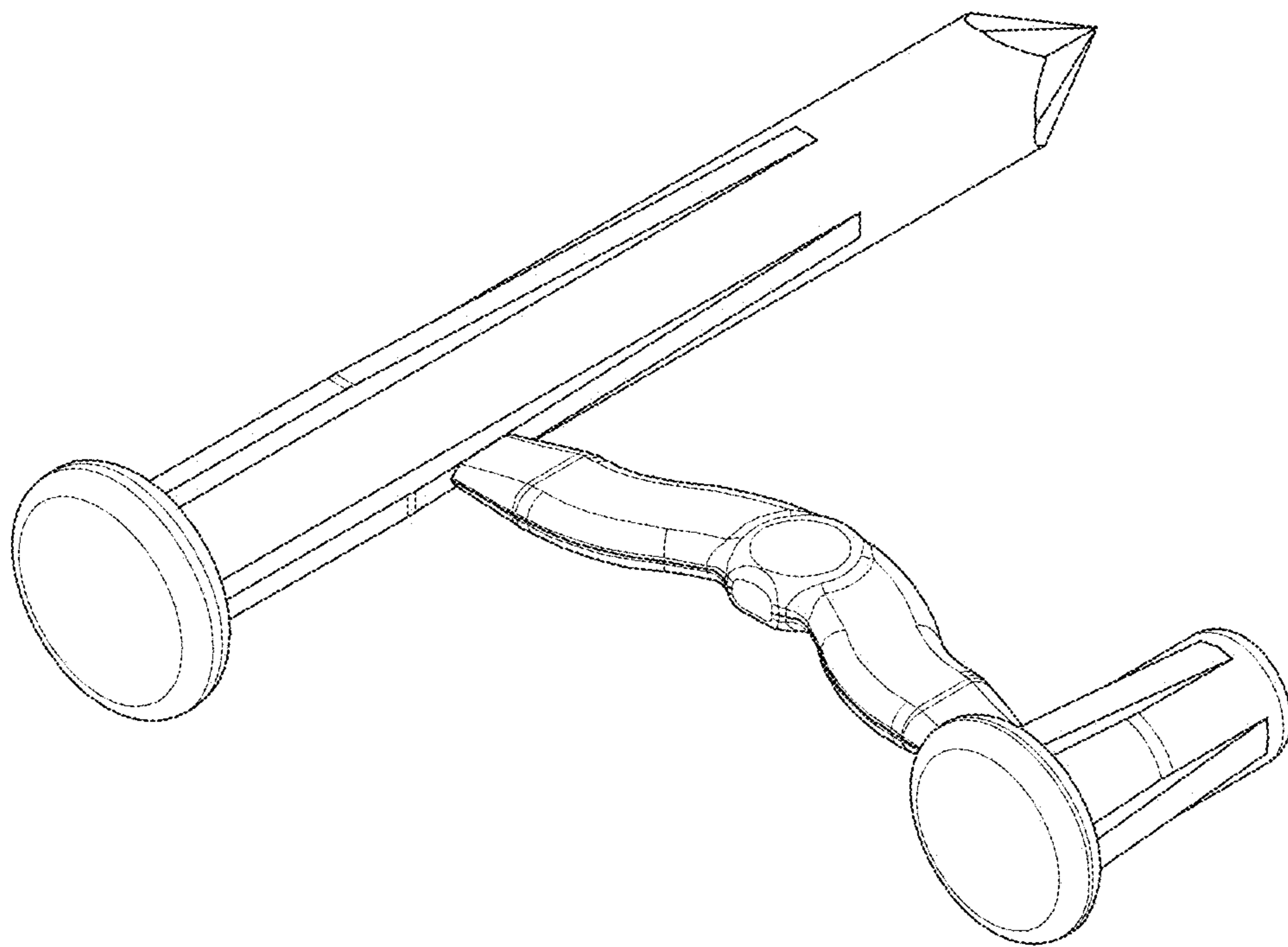


FIG. 7