



US00D910427S

(12) **United States Design Patent**
Yang

(10) **Patent No.:** **US D910,427 S**

(45) **Date of Patent:** **** Feb. 16, 2021**

(54) **FASTENER**

(71) Applicant: **GUANGZHOU DIYANG**
CULTURAL DIFFUSION CO., LTD,
Guangzhou (CN)

(72) Inventor: **Songyao Yang,** Guangzhou (CN)

(73) Assignee: **GUANGZHOU DIYANG**
CULTURAL DIFFUSION CO., LTD,
Guangzhou (CN)

(**) Term: **15 Years**

(21) Appl. No.: **29/736,112**

(22) Filed: **May 27, 2020**

(51) **LOC (13) Cl.** **08-08**

(52) **U.S. Cl.**
USPC **D8/382**

(58) **Field of Classification Search**
USPC D8/16, 19, 88, 94, 308, 309, 341, 349,
D8/354, 356, 381, 382, 387
CPC .. F16B 5/00; F16B 5/06; F16B 21/125; A47B
97/00; A47B 2097/008; Y10T 24/31
See application file for complete search history.

(56) **References Cited**

U.S. PATENT DOCUMENTS

- 3,170,206 A * 2/1965 Triplett H04M 1/21
24/298
- 3,664,163 A * 5/1972 Foote E05B 73/0005
70/58
- 3,729,778 A * 5/1973 McGrath D06F 79/02
248/117.7
- D256,663 S * 9/1980 Gilb D8/354
- 5,174,543 A * 12/1992 Corson A47B 97/00
248/500
- D420,566 S * 2/2000 Ely D8/354
- 6,220,562 B1 * 4/2001 Konkle A47B 97/00
24/298
- D512,903 S * 12/2005 Gallien D8/349
- D614,477 S * 4/2010 Edwards E04F 11/1842
D8/354

- D645,335 S * 9/2011 Herman D8/363
 - D659,522 S * 5/2012 Noturno F16B 5/0028
D8/382
 - D686,486 S * 7/2013 Densmore D8/349
 - D737,116 S * 8/2015 Lussier D8/349
- (Continued)

OTHER PUBLICATIONS

“Furniture Straps Baby Proofing Metal Furniture Anchors, Anti Tip Furniture Kit Adjustable Earthquake Resistant Wall Straps Prevent Furniture From Tipping Over for Baby and Pet Safety (8 Pack)”, Retrieved Aug. 21, 2020]. Retrieved from Internet, https://www.amazon.com/Furniture-Proofing-Adjustable-Earthquake-Resistant/dp/B083FST3C8/ref=sr_1_2_sspa?crd=1005GW120R97C&dchild=1.

(Continued)

Primary Examiner — Sandra Snapp
Assistant Examiner — Ieisha N Price

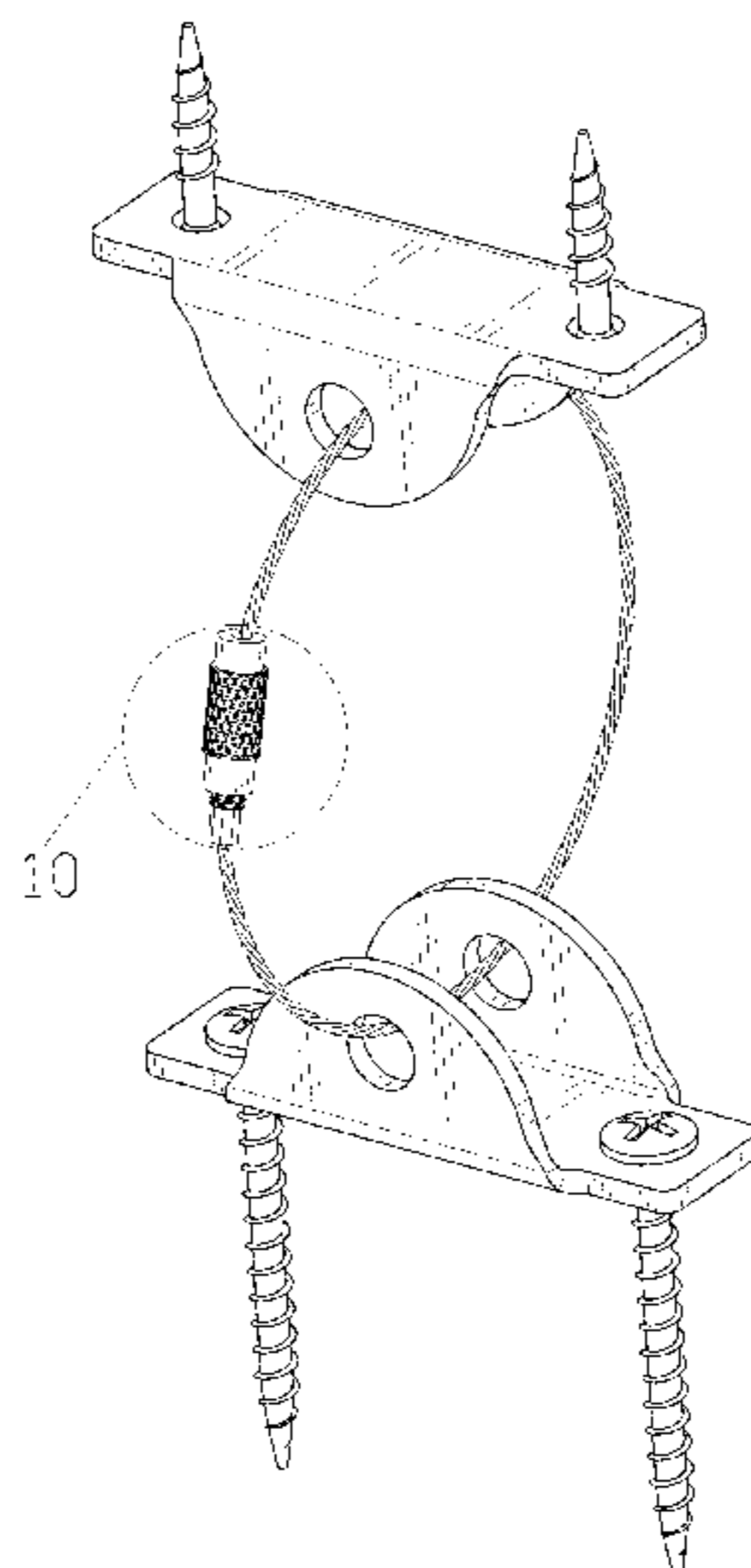
(57) **CLAIM**

The ornamental design for a fastener, as shown and described.

DESCRIPTION

FIG. 1 is a perspective view of a fastener showing my new design;
FIG. 2 is another perspective view thereof;
FIG. 3 is a front elevational view thereof;
FIG. 4 is a rear elevational view thereof;
FIG. 5 is a left side elevational view thereof;
FIG. 6 is a right side elevational view thereof;
FIG. 7 is a top plan view thereof;
FIG. 8 is a bottom plan view thereof;
FIG. 9 is an exploded view thereof;
FIG. 10 is an enlarged view of portion 10 shown in FIG. 1;
and,
FIG. 11 is an enlarged view of portion 11 shown in FIG. 2.

1 Claim, 11 Drawing Sheets



(56)

References Cited

U.S. PATENT DOCUMENTS

9,310,170 B1 * 4/2016 Basewitz A47B 97/00
D762,106 S * 7/2016 Lo D8/349
D762,456 S * 8/2016 Lo D8/349
D763,665 S * 8/2016 Hallare D8/356
D773,339 S 12/2016 McClure et al.
D782,292 S * 3/2017 Wessel D8/382
D813,016 S * 3/2018 Deneau D8/356
D843,824 S * 3/2019 Milani D8/382
D869,936 S * 12/2019 Smith D8/349
D874,246 S * 2/2020 Stekr D8/354
D874,247 S * 2/2020 Stekr D8/354
D874,248 S * 2/2020 Stekr D8/354
D874,249 S * 2/2020 Stekr D8/354
D886,570 S * 6/2020 Twitchell D8/356
D886,571 S * 6/2020 Twitchell D8/356
D887,820 S * 6/2020 Zhang D8/354
2004/0046092 A1 * 3/2004 Jung A47B 97/00
248/200
2006/0097123 A1 * 5/2006 Gallien A47B 97/00
248/500
2017/0340115 A1 * 11/2017 Sekine A47B 97/00
2018/0042379 A1 * 2/2018 Muskopf A47B 97/00
2019/0014676 A1 * 1/2019 Nakamura F16B 2/245

OTHER PUBLICATIONS

“HaoWin Furniture straps, Metal furniture anchors 10 Sets, Anti Tip Furniture Kit Strap Furniture to Wall, Heavy Duty Furniture Wall Anchors for Baby Proofing”, Retrieved Aug. 21, 2020]. Retrieved from Internet, 2. <https://www.amazon.com/HaoWin-Furniture-furniture-anchors-Proofing/dp/B081DC5QFZ/>.

* cited by examiner

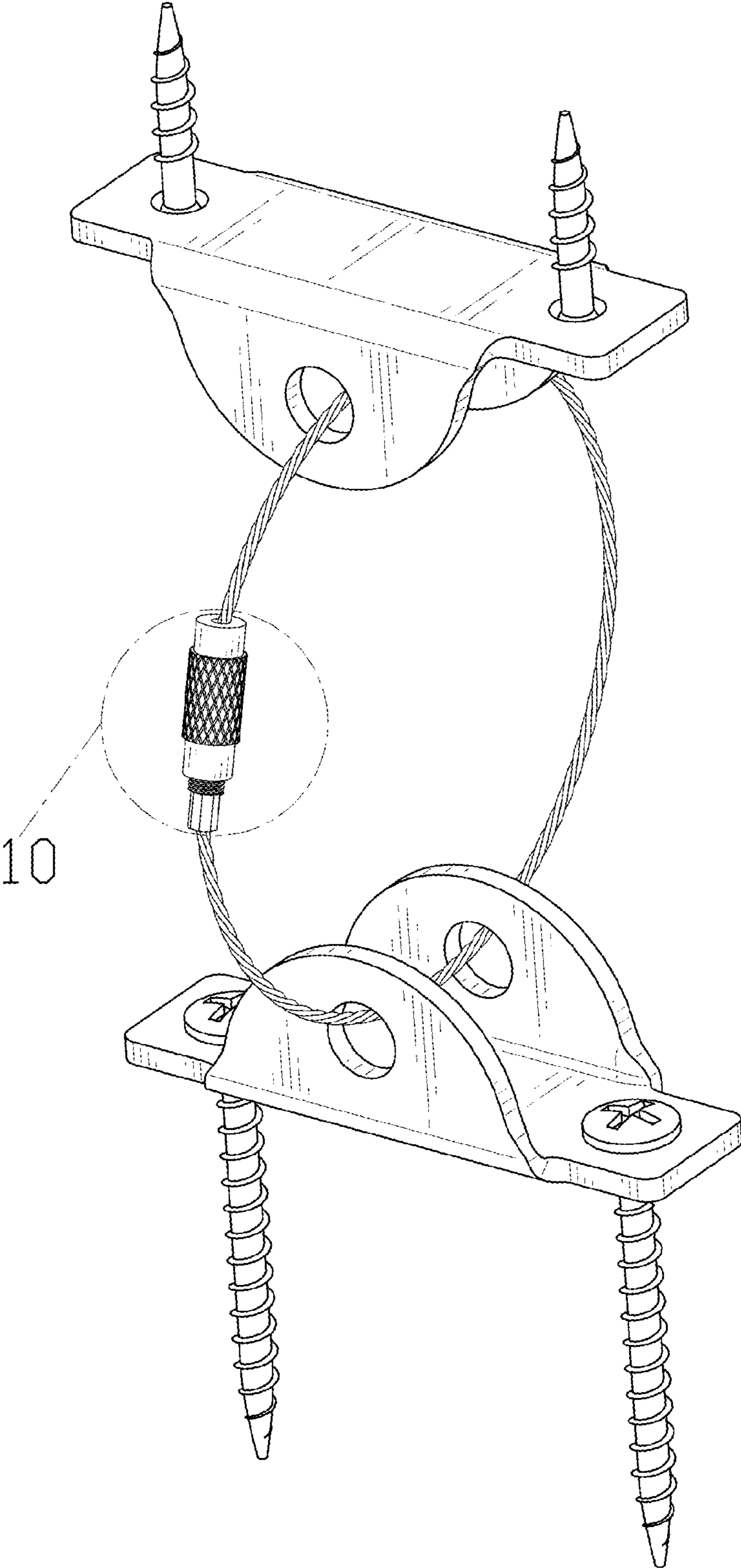


FIG. 1

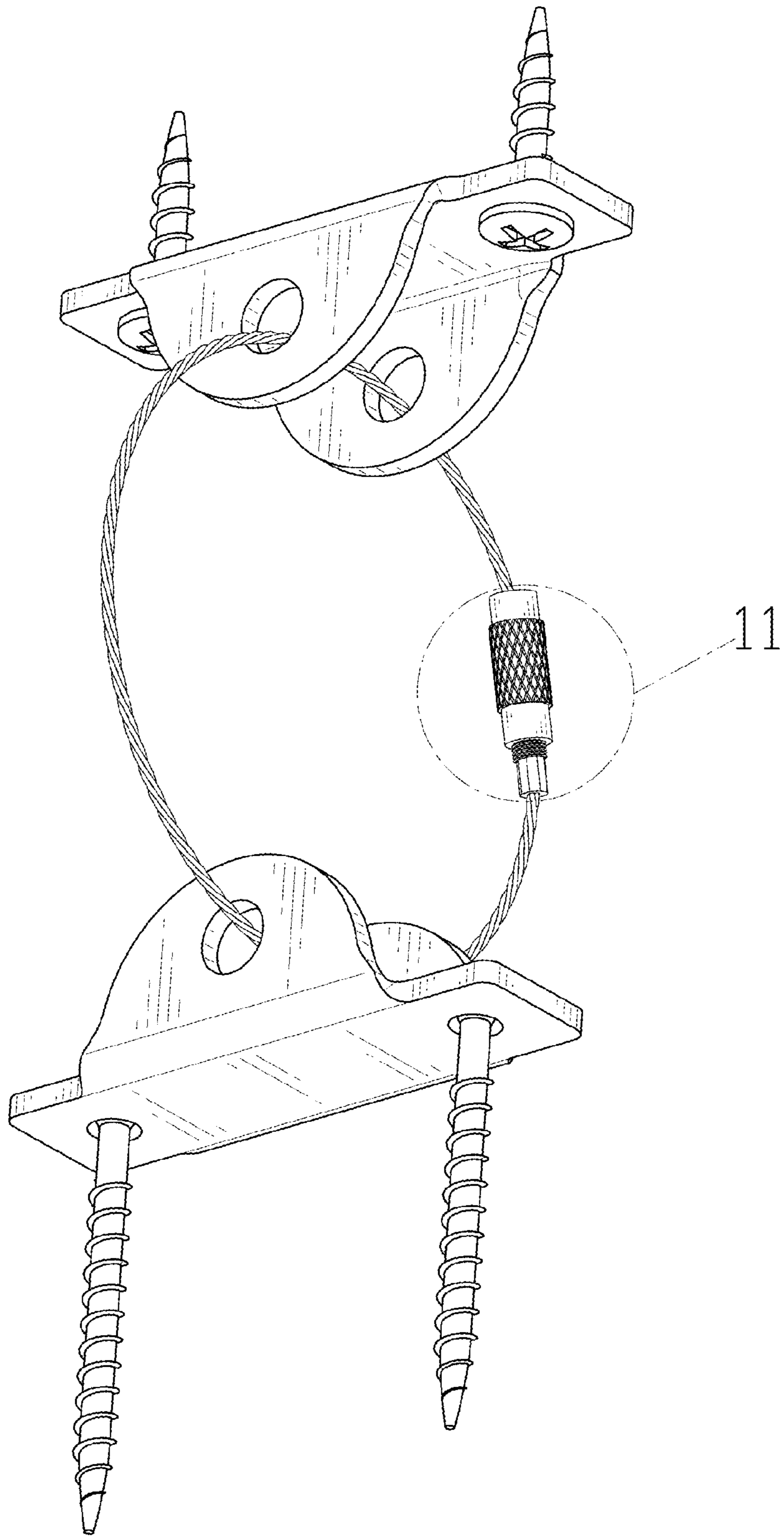


FIG. 2

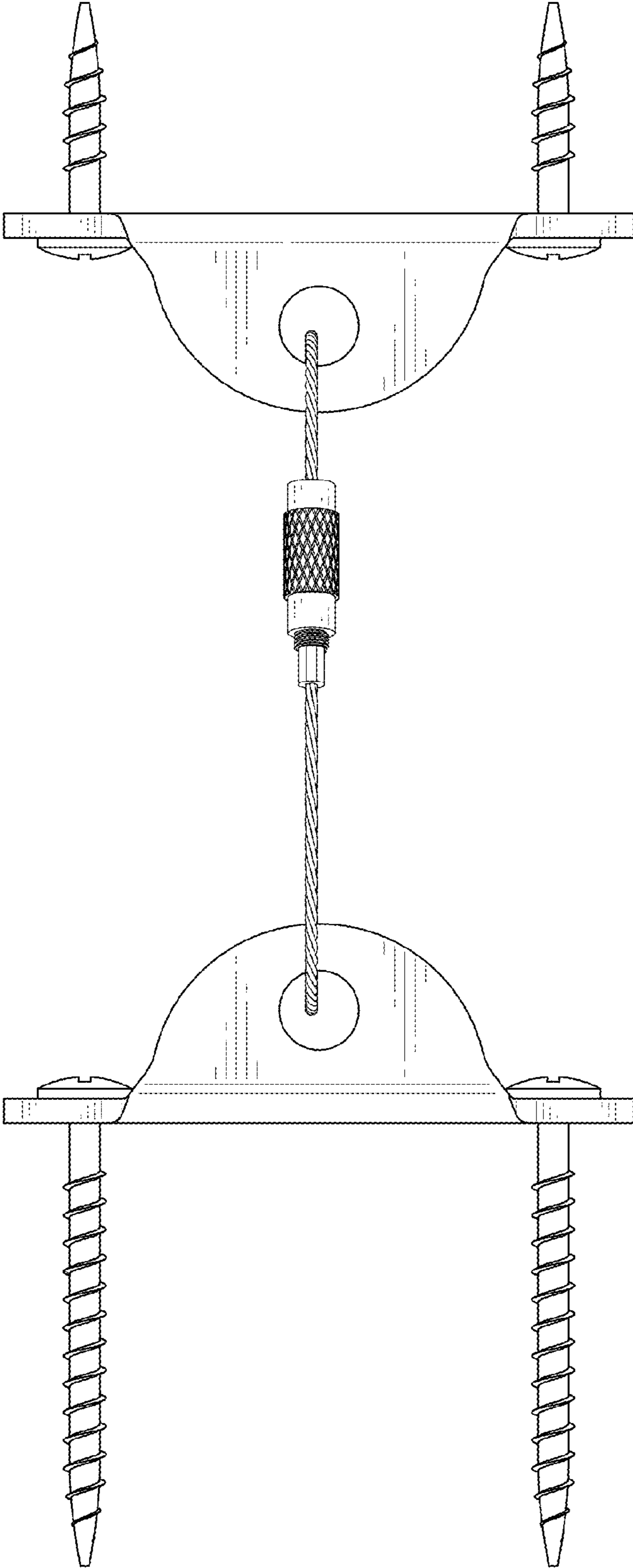


FIG. 3

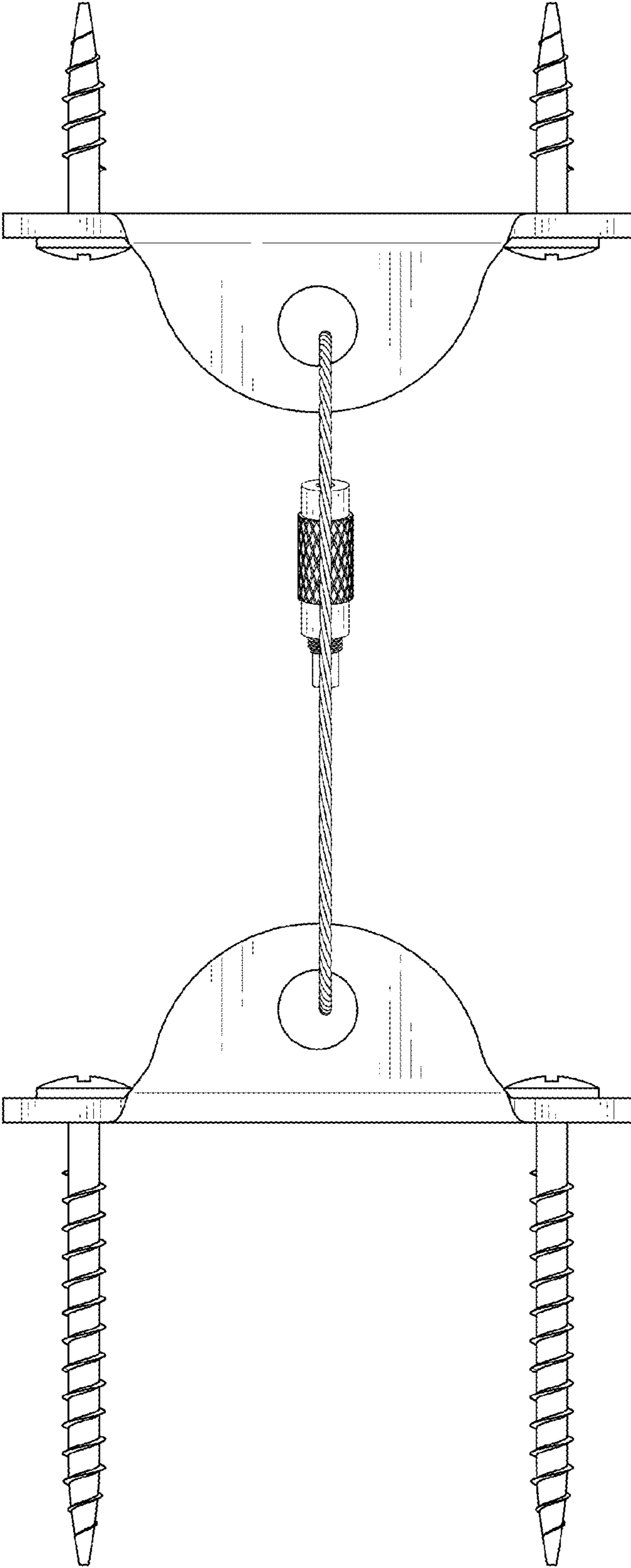


FIG. 4

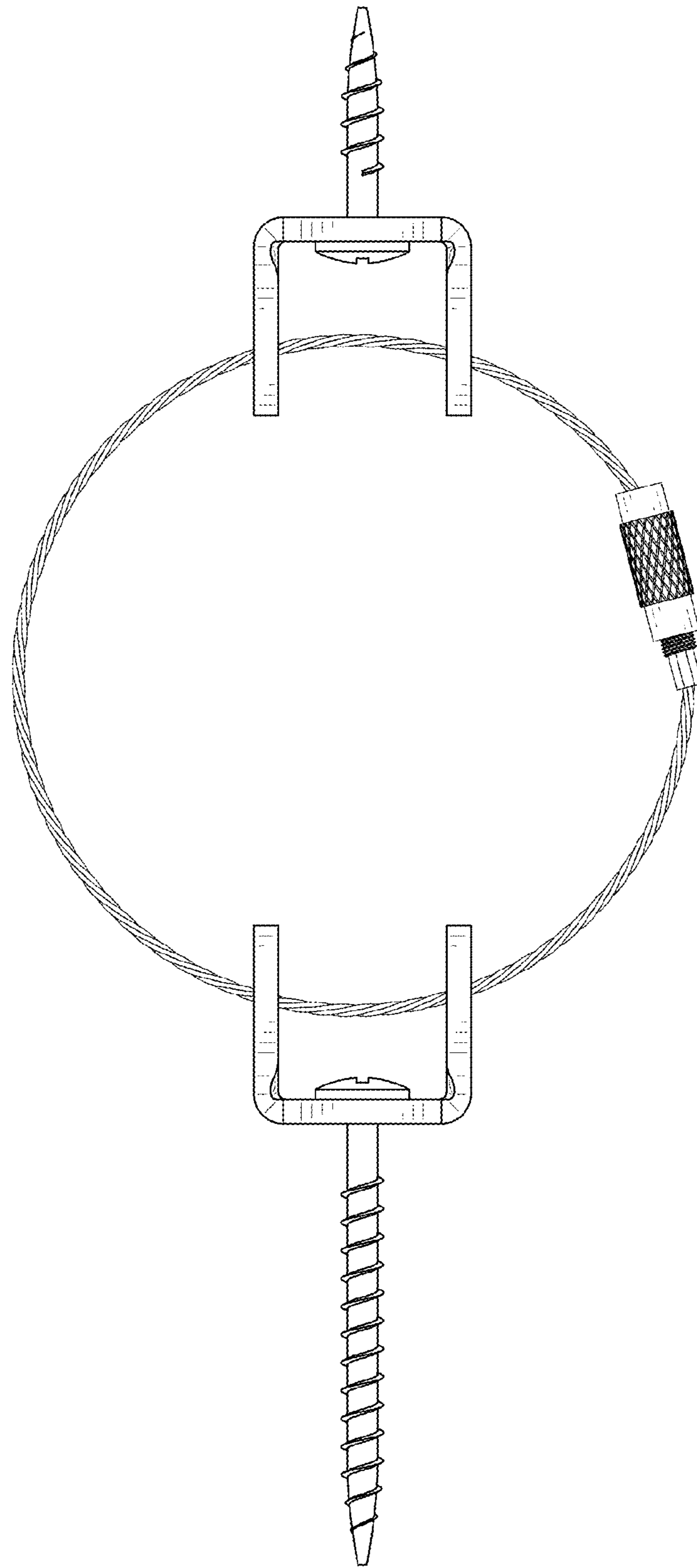


FIG. 5

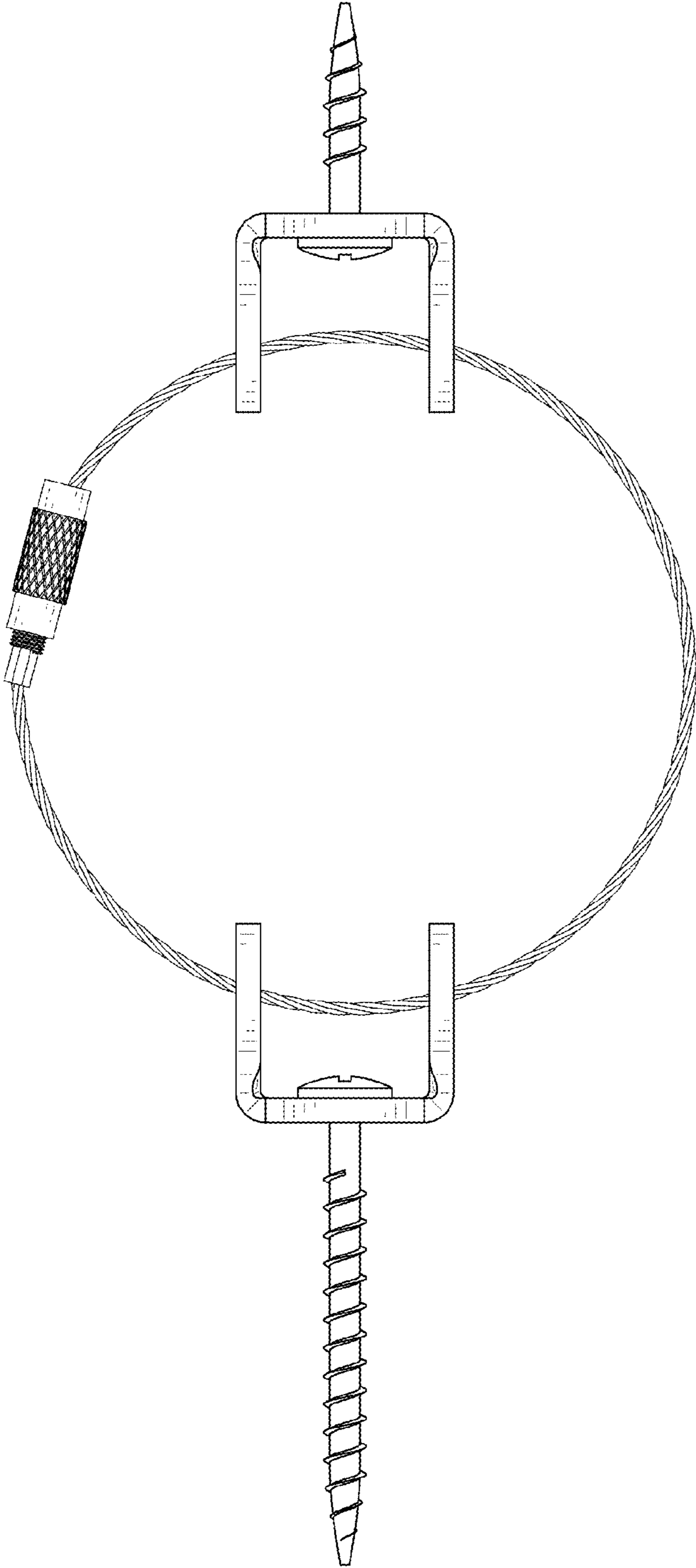


FIG. 6

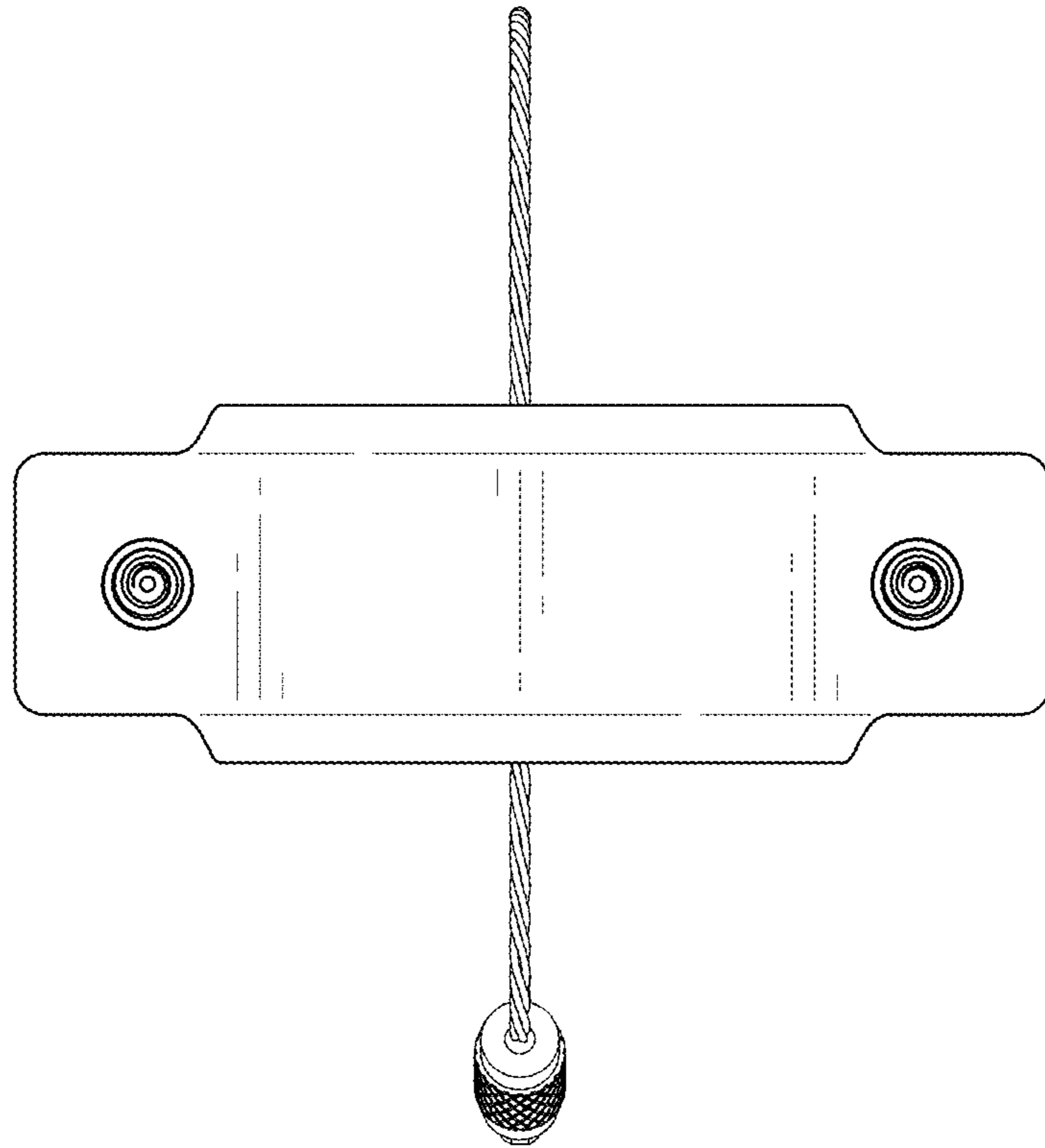


FIG. 7

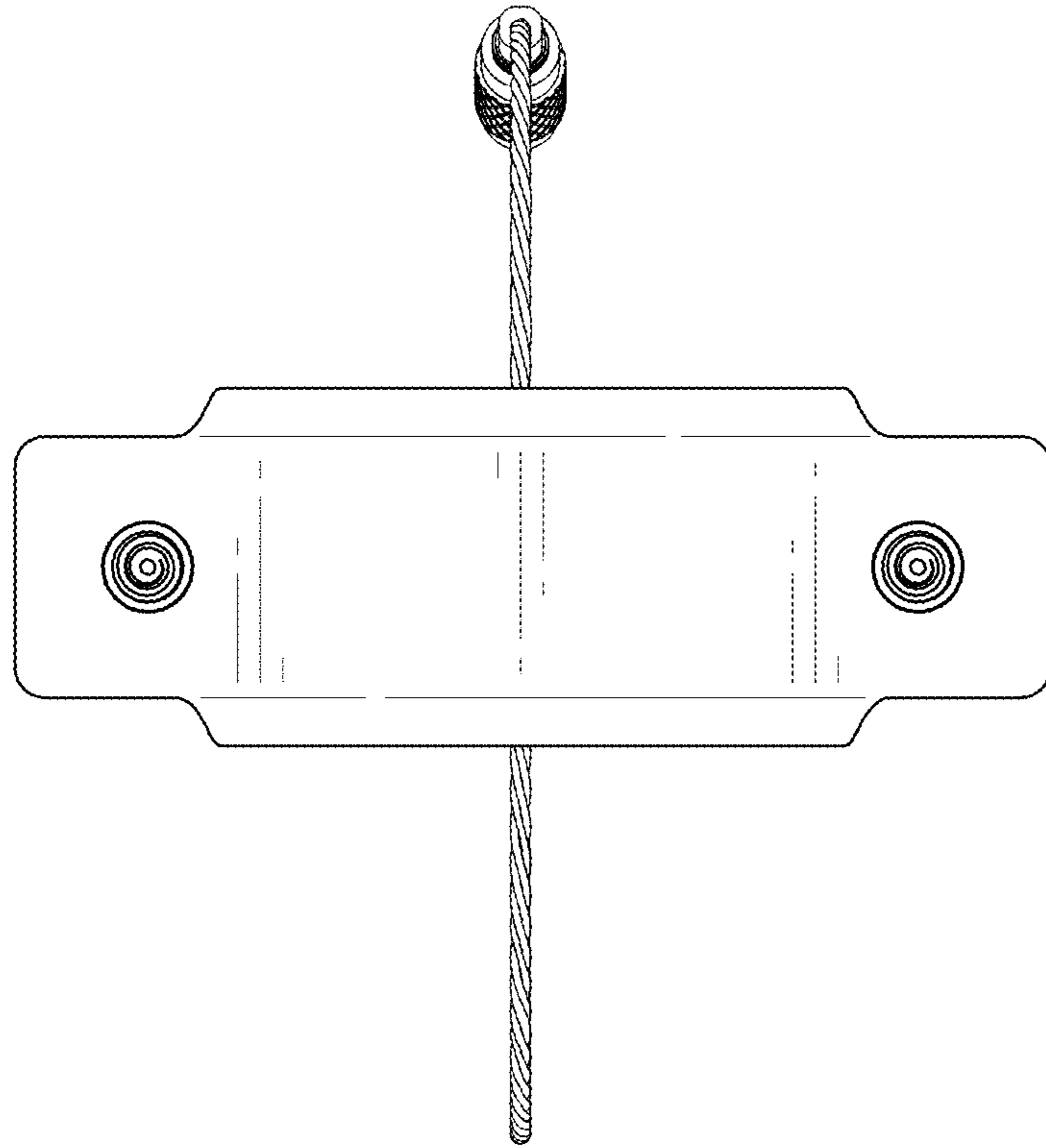


FIG. 8

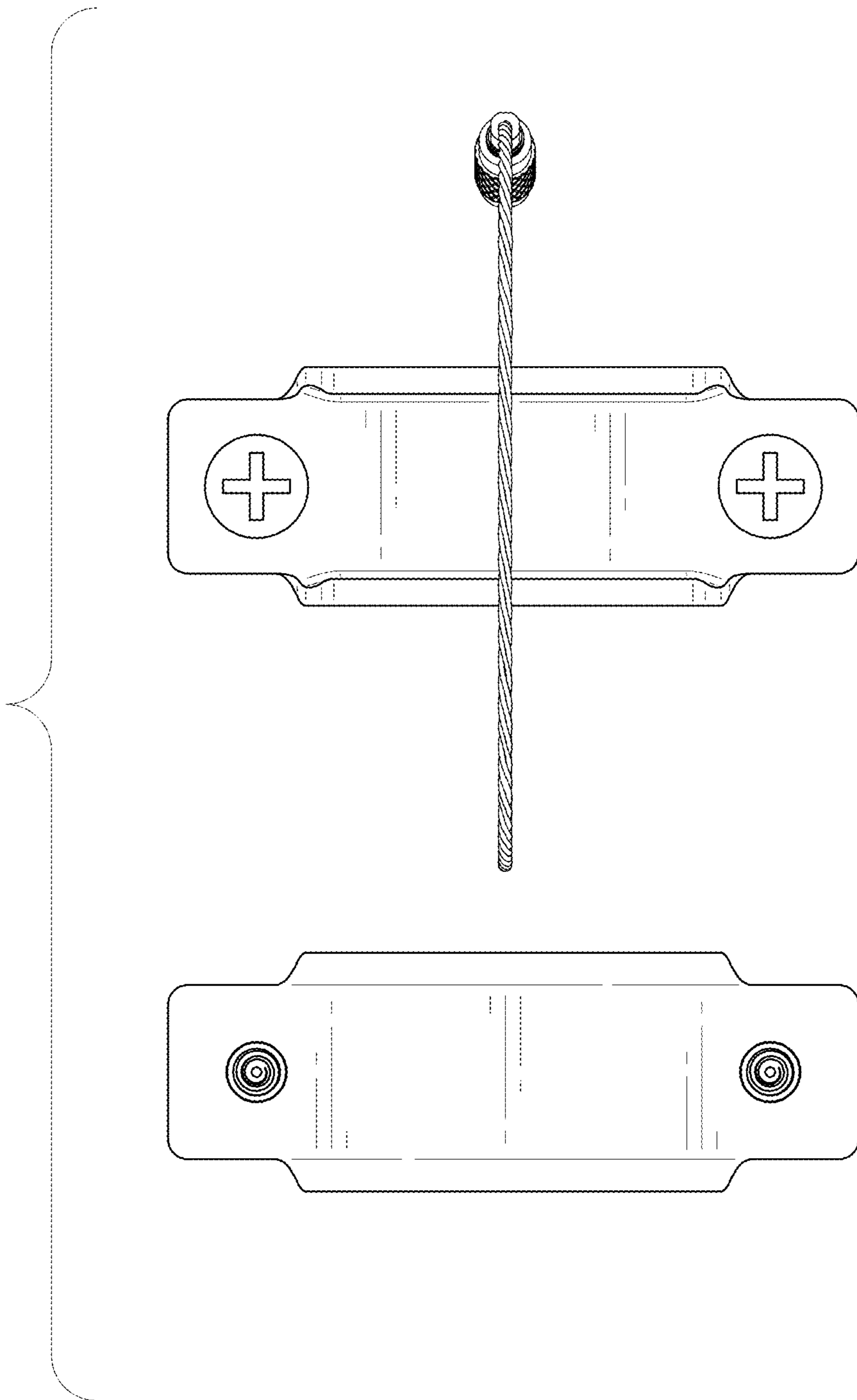


FIG. 9

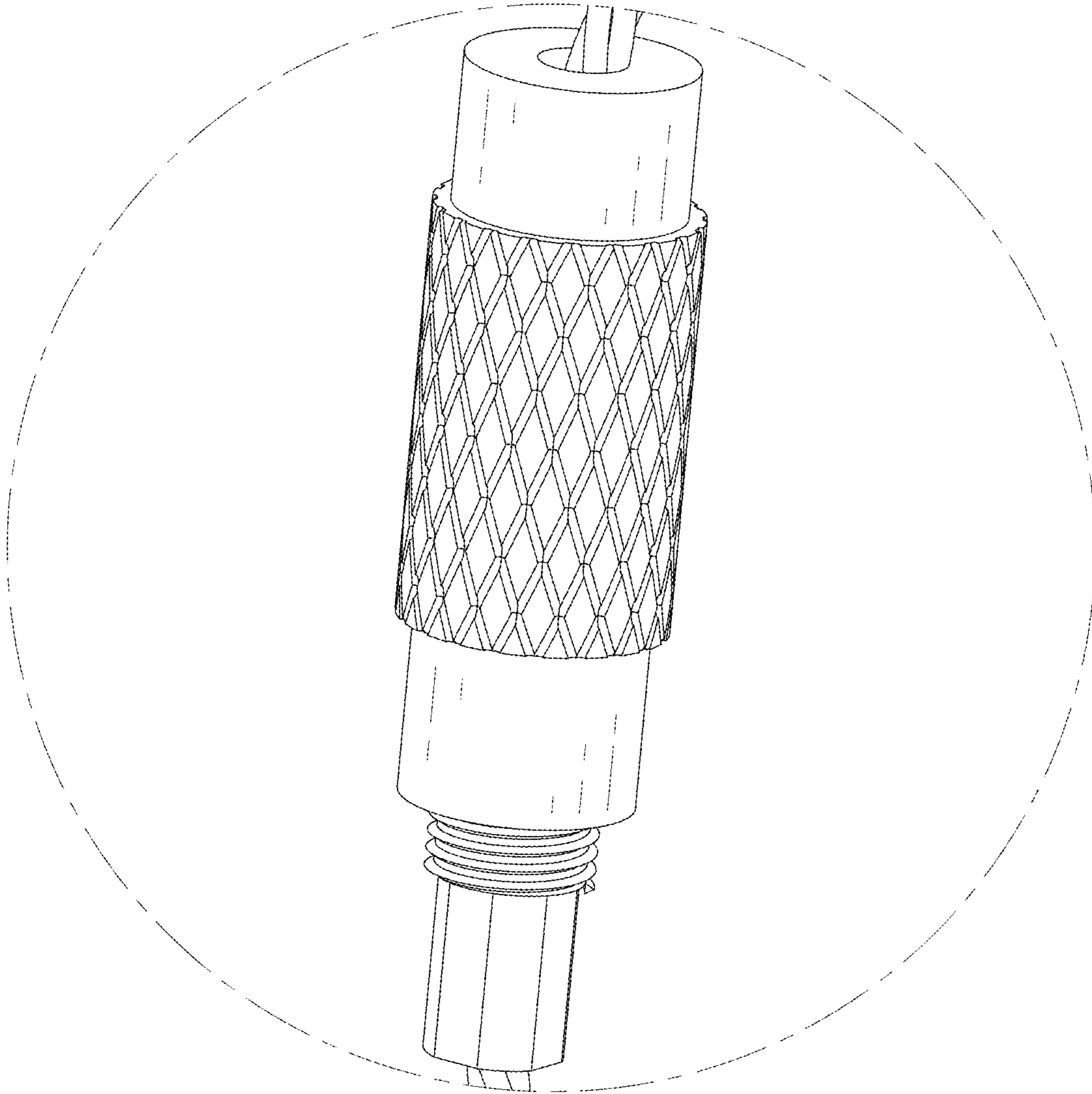


FIG. 10

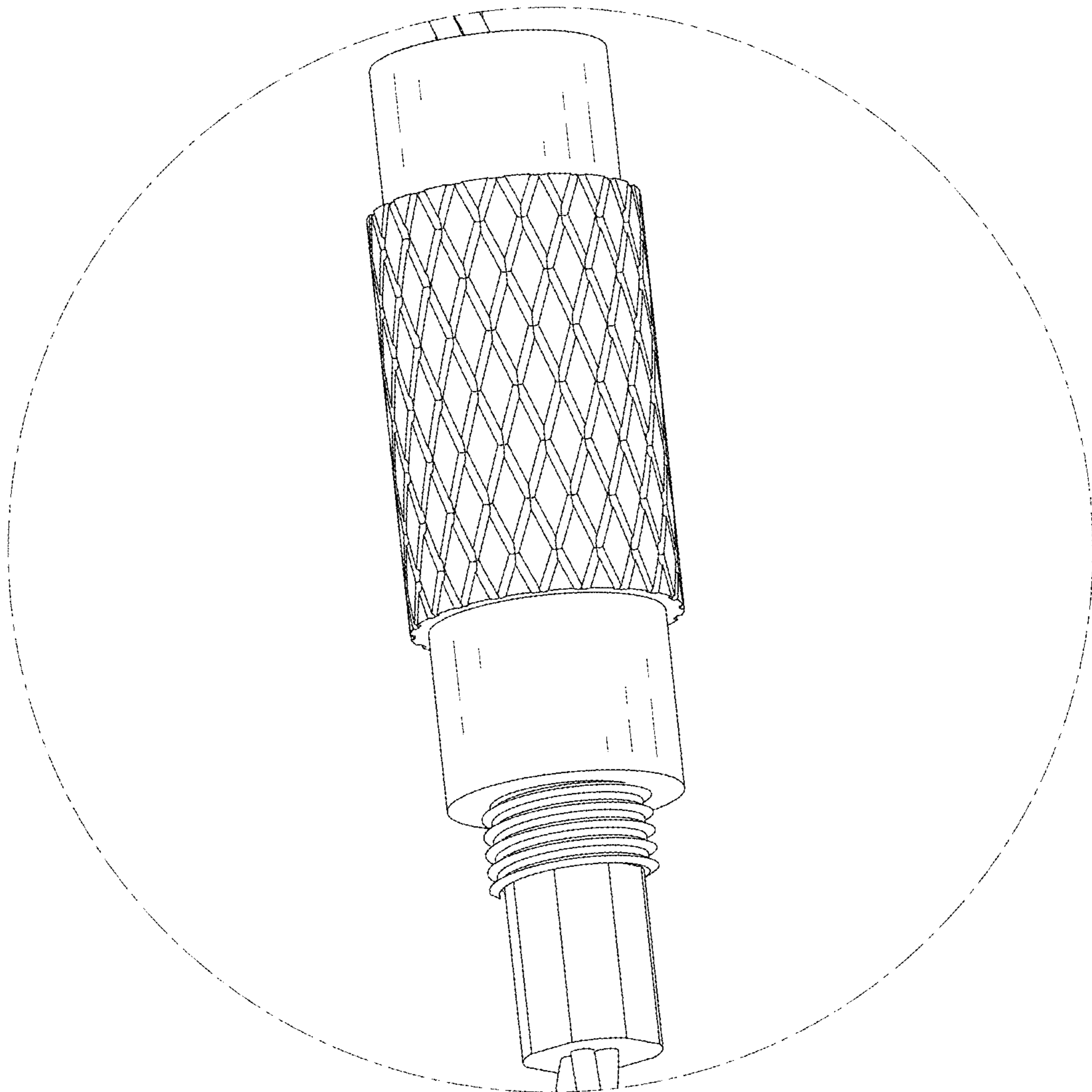


FIG. 11