



US00D910426S

(12) **United States Design Patent** (10) **Patent No.:** **US D910,426 S**
Wang (45) **Date of Patent:** **** Feb. 16, 2021**

(54) **FASTENER** 2012/0195711 A1* 8/2012 Chiu F16B 5/0208
411/103
(71) Applicant: **FIVETECH TECHNOLOGY INC.,** 2012/0237316 A1* 9/2012 Chiu F16B 5/0208
New Taipei (TW) 411/353
2014/0064876 A1* 3/2014 Tseng F16B 5/0208
(72) Inventor: **Ting-Jui Wang,** New Taipei (TW) 411/147
2015/0267730 A1* 9/2015 He F16B 5/0208
(73) Assignee: **FIVETECH TECHNOLOGY INC.,** 2019/0147915 A1* 5/2019 Wang G11B 33/08
New Taipei (TW) 361/679.34

(**) Term: **15 Years**

* cited by examiner

(21) Appl. No.: **29/647,470**

Primary Examiner — Sandra Snapp
Assistant Examiner — Ieisha N Price

(22) Filed: **May 14, 2018**

(74) *Attorney, Agent, or Firm* — Schmeiser, Olsen & Watts, LLP

(51) **LOC (13) Cl.** **08-08**

(52) **U.S. Cl.**
USPC **D8/382**

(58) **Field of Classification Search**
USPC D8/354, 382, 387, 395, 499
CPC F16B 41/002; F16B 5/0208; F16B 39/28;
Y10S 411/97; Y10S 411/999

See application file for complete search history.

(57) **CLAIM**

The ornamental design for a fastener, as shown and described.

DESCRIPTION

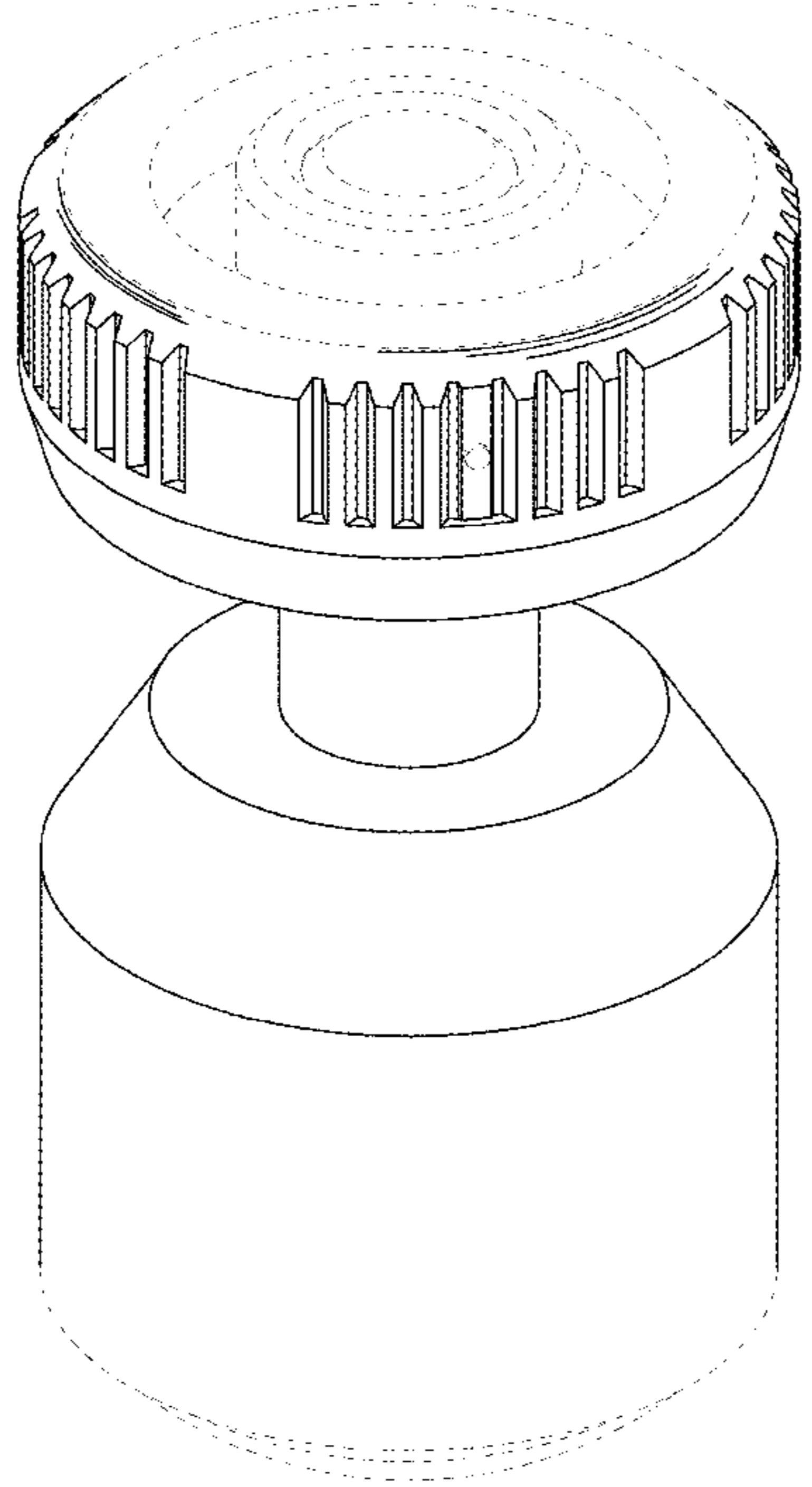
(56) **References Cited**

U.S. PATENT DOCUMENTS

D656,392 S * 3/2012 McKenna D8/382
8,893,369 B2 * 11/2014 Wang H05K 3/3447
29/453
D729,052 S * 5/2015 Summers D8/387
D834,929 S * 12/2018 Wang D8/382
2002/0172574 A1* 11/2002 McCormack F16B 5/0208
411/352
2011/0123291 A1* 5/2011 Chiu F16B 5/0208
411/342
2012/0099943 A1* 4/2012 Chiu F16B 5/0208
411/347

FIG. 1 is a perspective view of a fastener showing my new design;
FIG. 2 is a front elevation view thereof;
FIG. 3 is a rear elevation view thereof;
FIG. 4 is a left side elevation view thereof;
FIG. 5 is a right side elevation view thereof;
FIG. 6 is a top plan view thereof; and,
FIG. 7 is a bottom plan view thereof.
The broken lines in the drawings illustrate portions of the fastener and form no part of the claimed design.

1 Claim, 7 Drawing Sheets



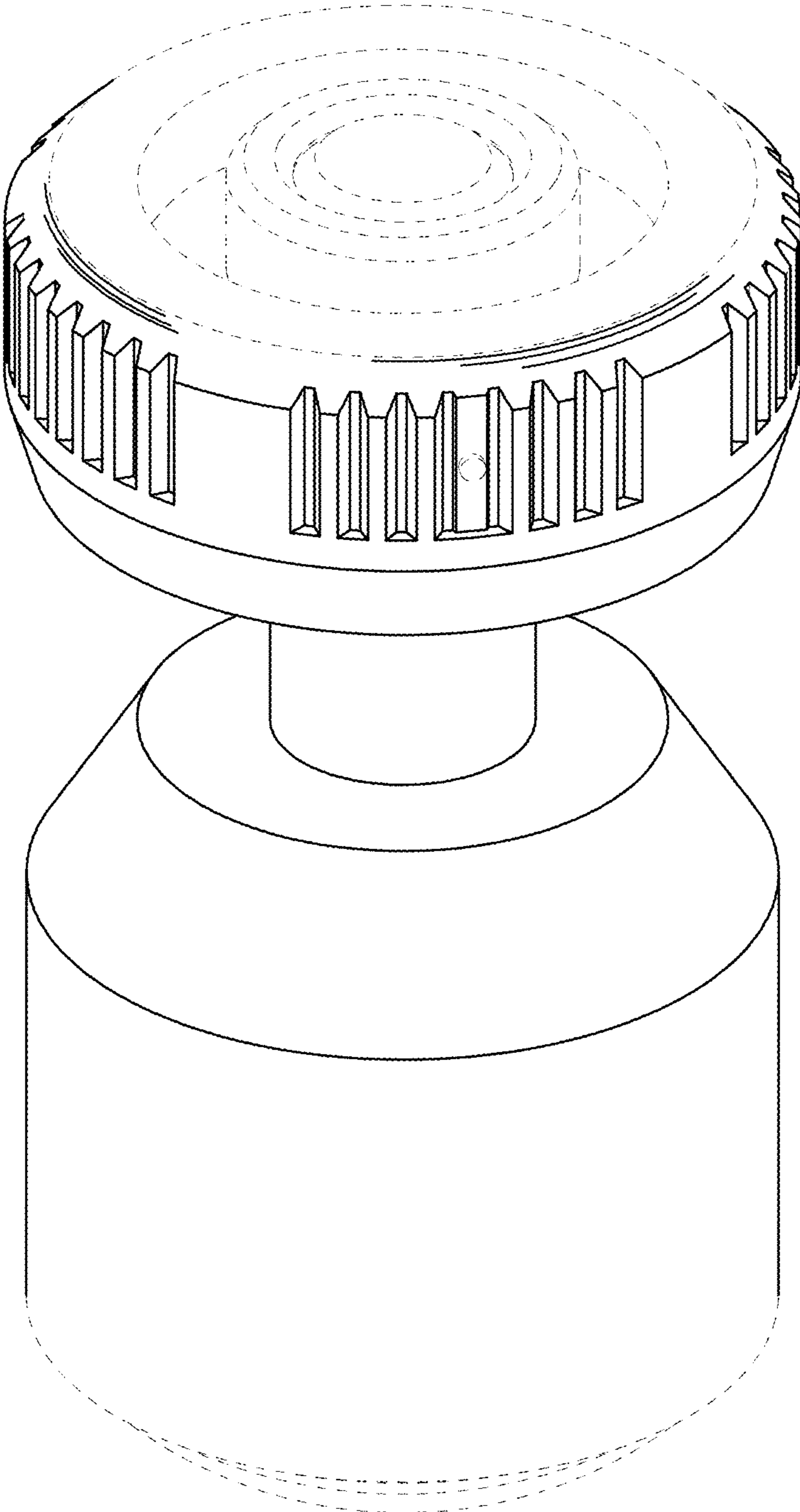


FIG. 1

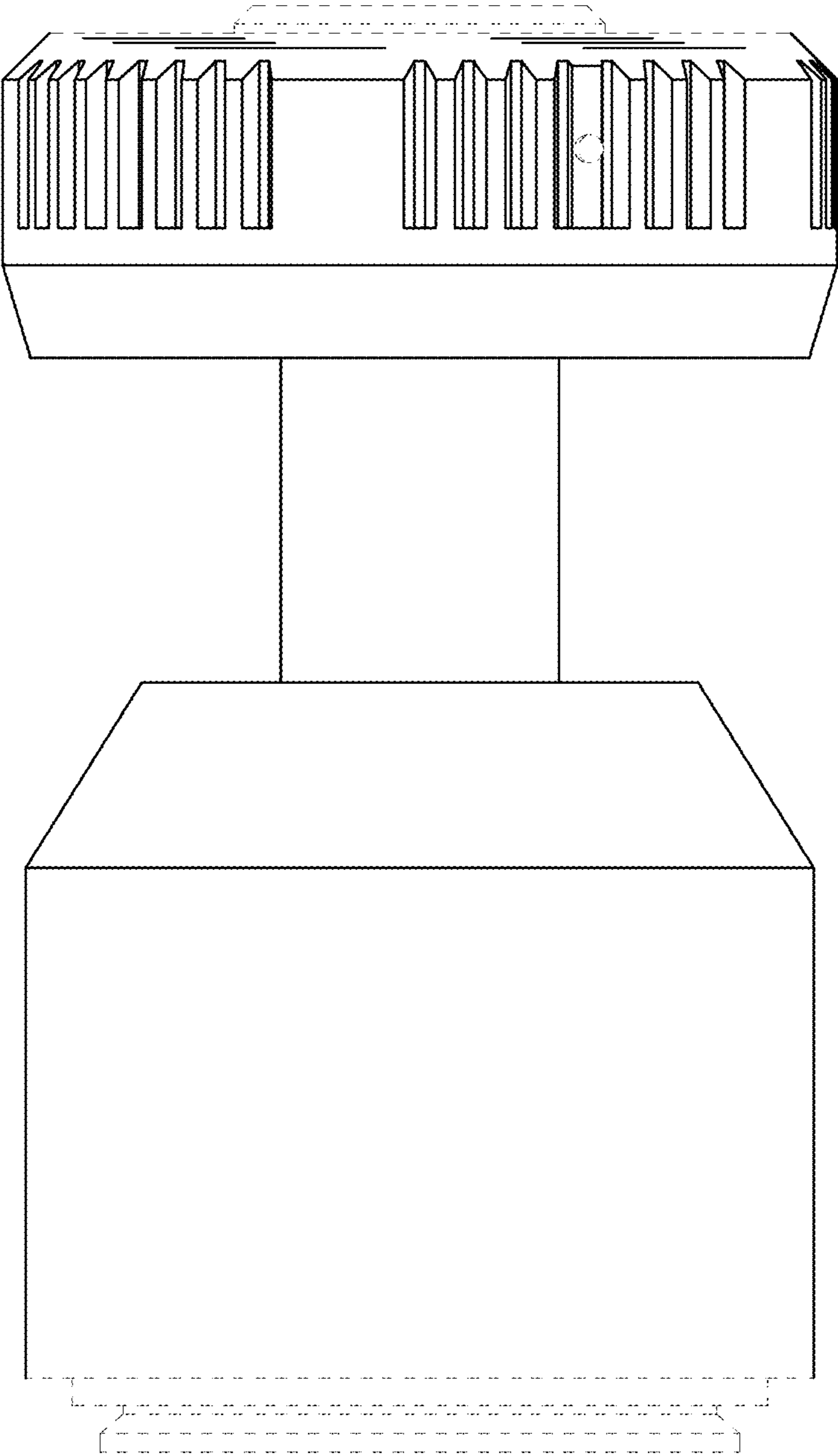


FIG. 2

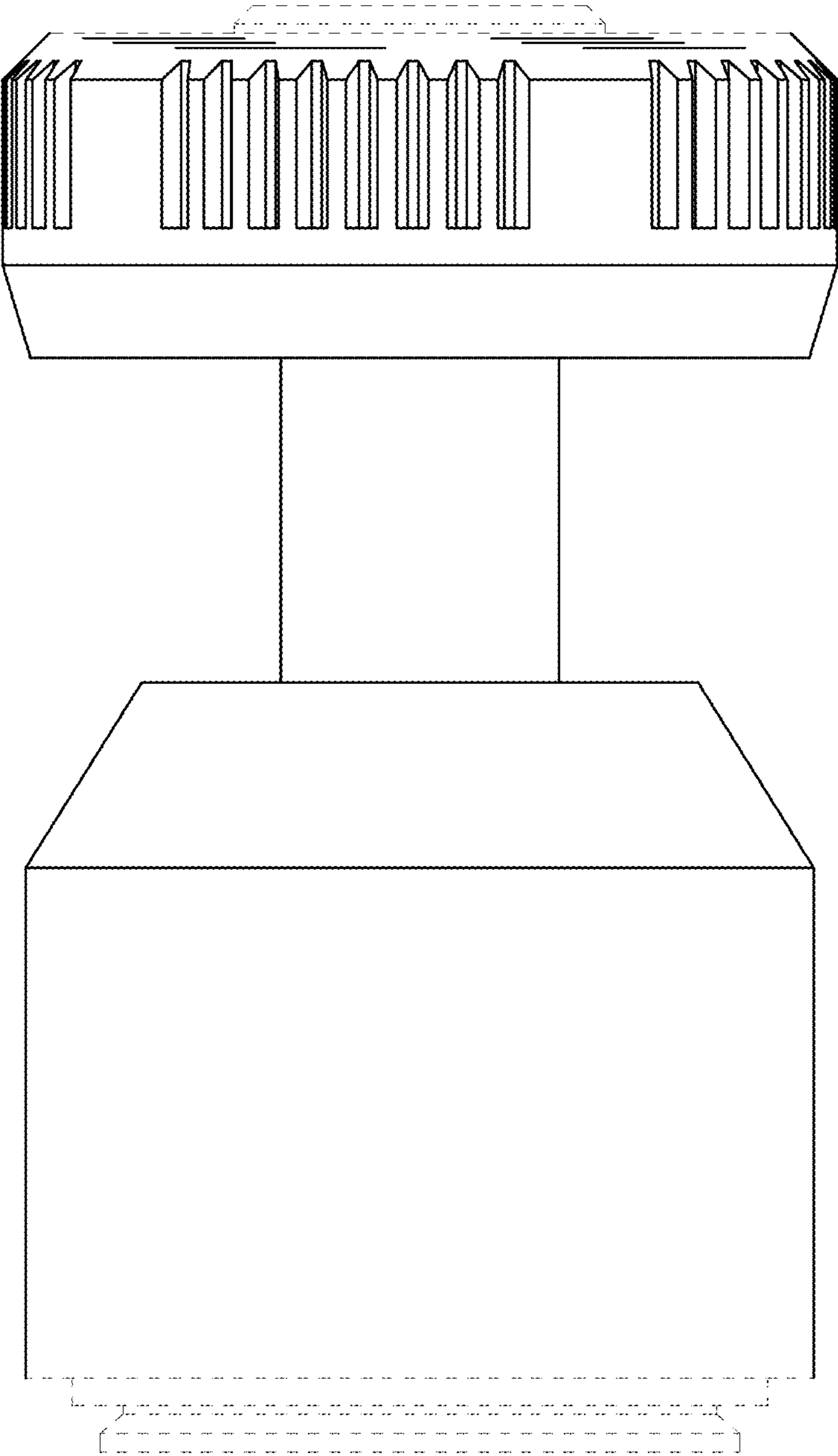


FIG. 3

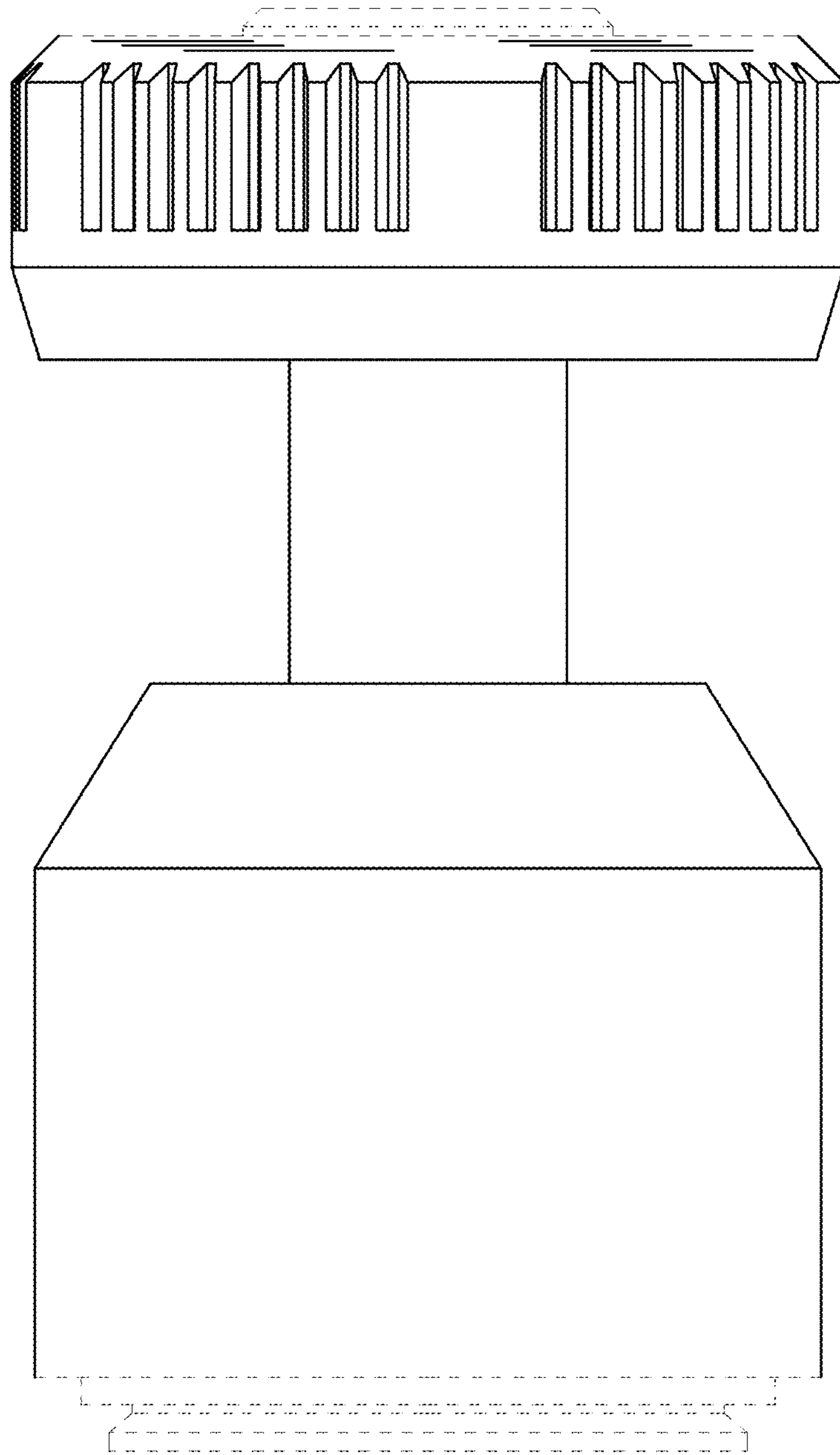


FIG. 4

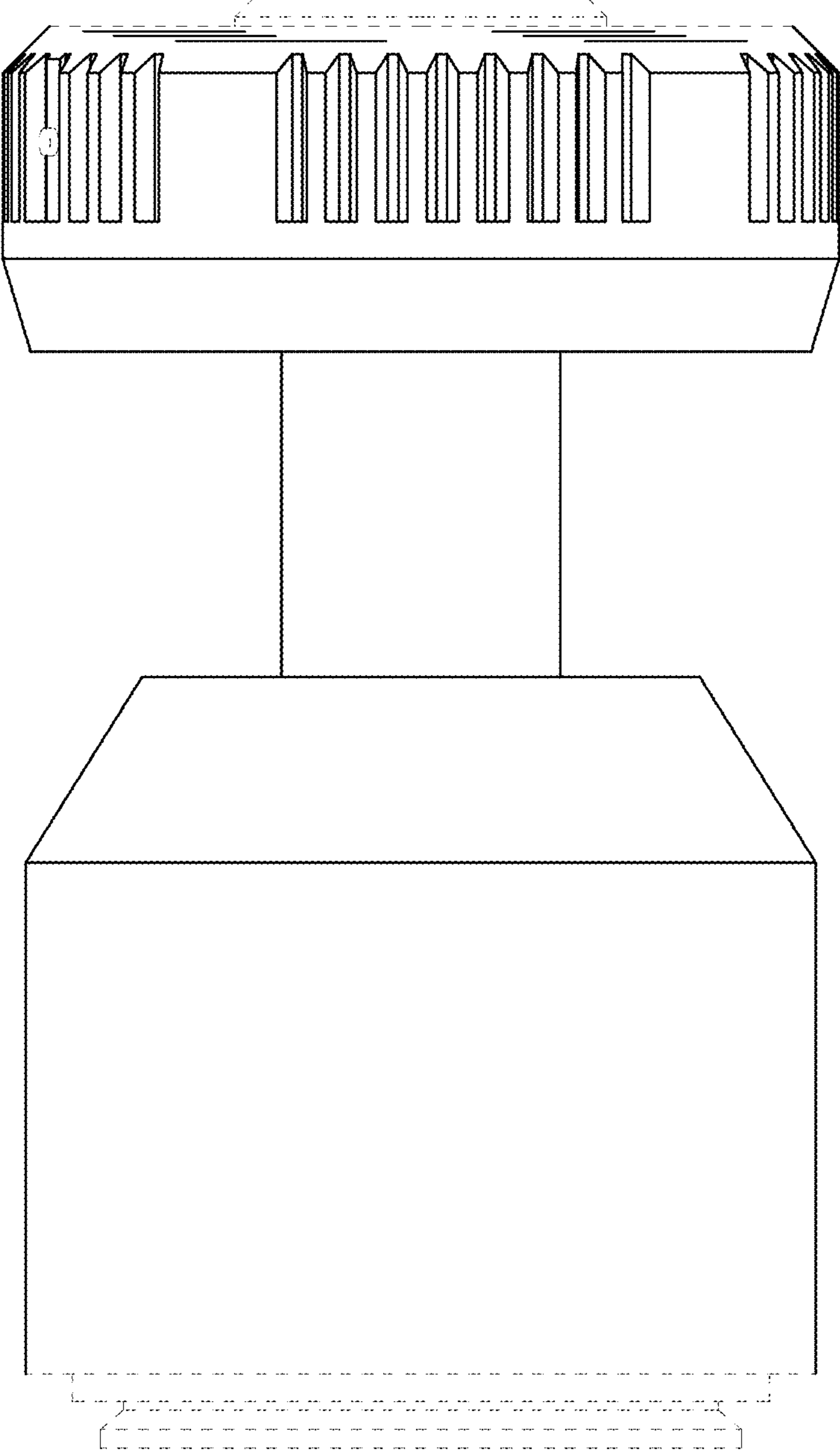


FIG. 5

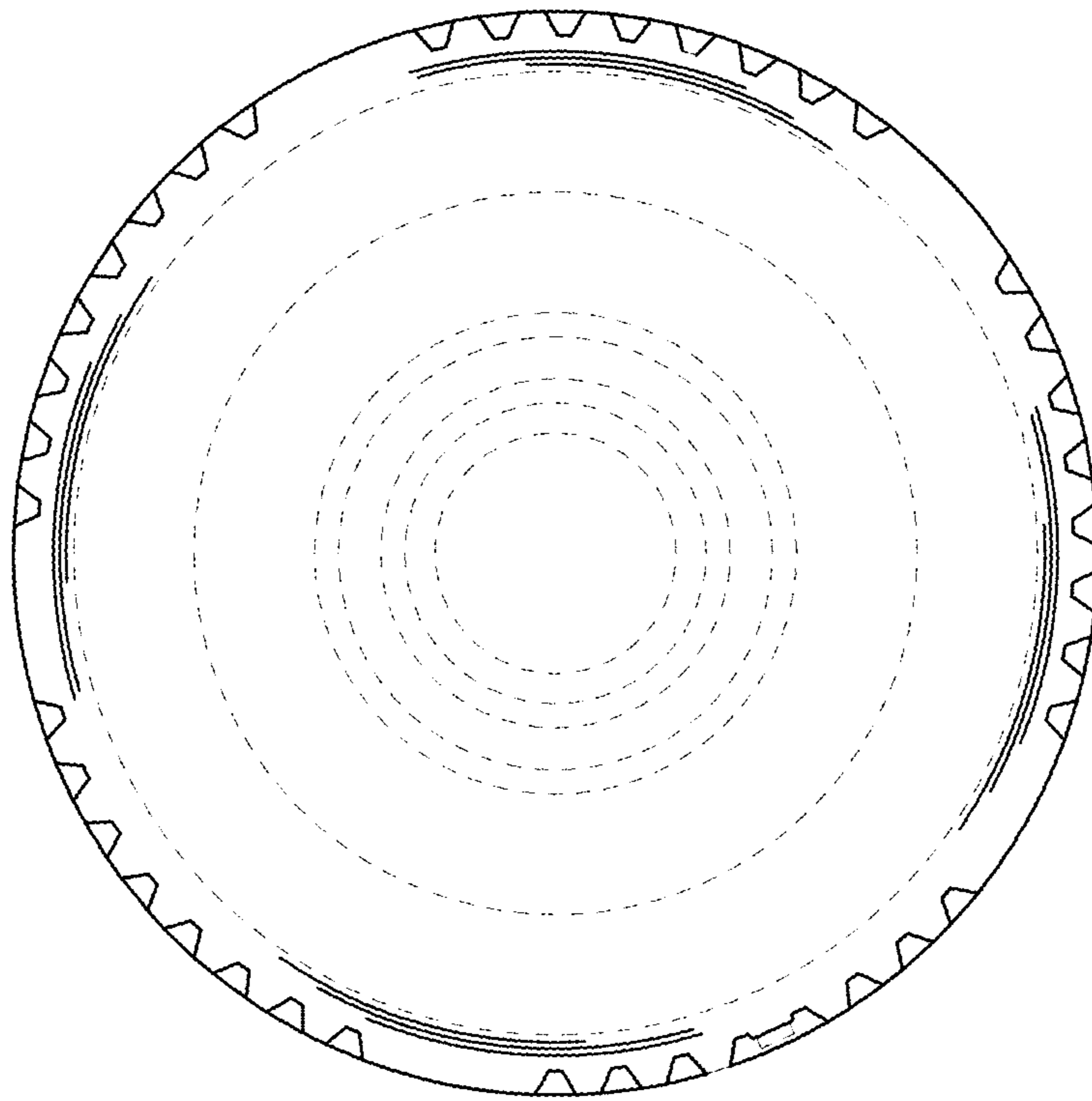


FIG. 6

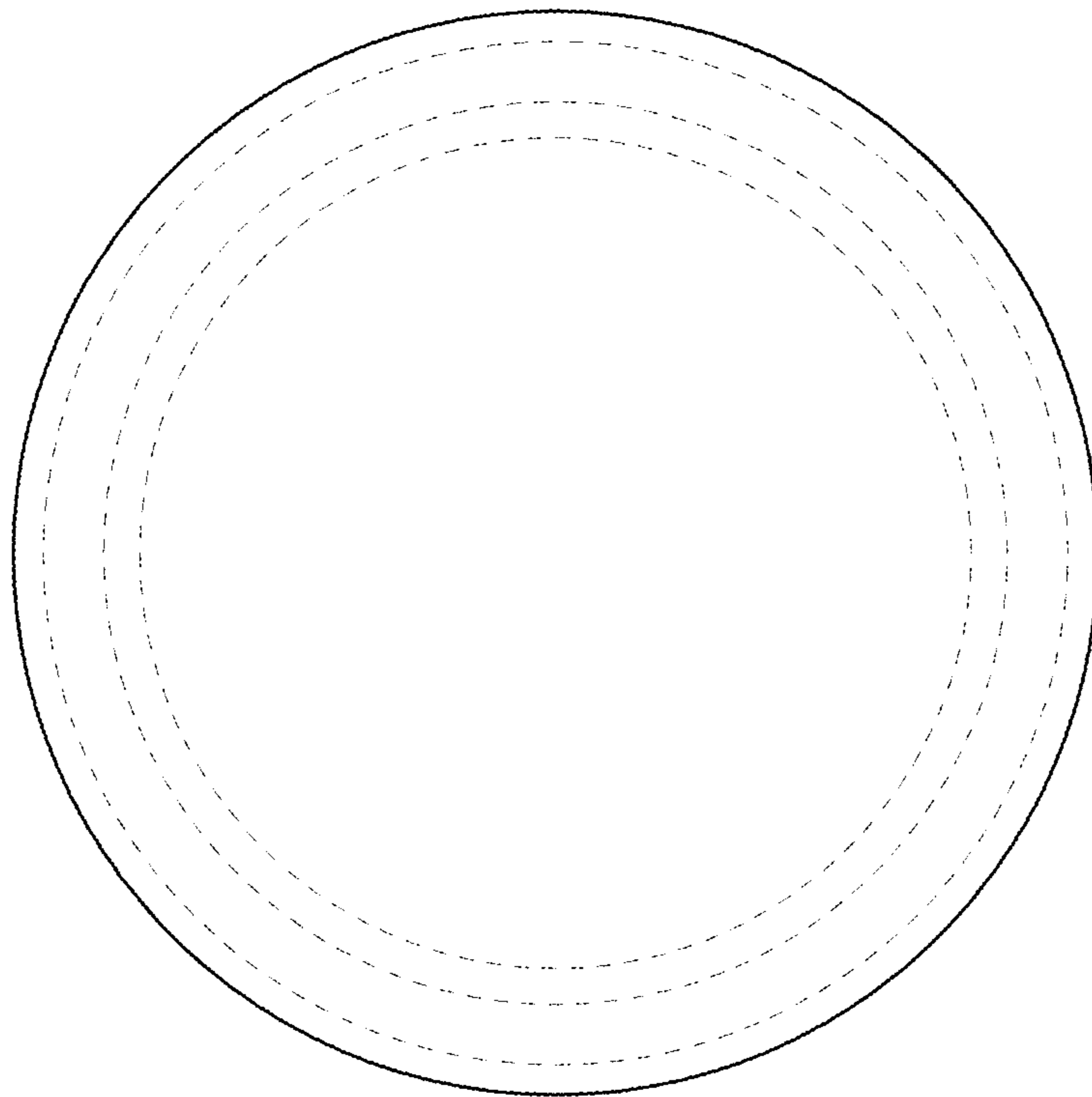


FIG. 7