

US00D910425S

(12) **United States Design Patent**
Gallien

(10) **Patent No.:** **US D910,425 S**

(45) **Date of Patent:** **** Feb. 16, 2021**

(54) **WALL-MOUNTED CLEAT FOR PICTURE FRAME**

(71) Applicant: **James Milton Gallien**, Hidden Hills, CA (US)

(72) Inventor: **James Milton Gallien**, Hidden Hills, CA (US)

(**) Term: **15 Years**

(21) Appl. No.: **29/679,792**

(22) Filed: **Feb. 9, 2019**

(51) **LOC (13) Cl.** **08-05**

(52) **U.S. Cl.**
USPC **D8/373**

(58) **Field of Classification Search**
USPC D8/349, 354, 382, 371, 373; D6/300, D6/512; D25/120, 121, 122, 123, 124, D25/125
CPC A47G 1/1606; A47G 1/0605; A47G 2001/0677

See application file for complete search history.

(56) **References Cited**

U.S. PATENT DOCUMENTS

D104,566 S *	5/1937	Goss	D25/119
D293,719 S *	1/1988	Stepanian	D25/125
D356,488 S *	3/1995	Gehiere	D8/354
D359,443 S *	6/1995	Johansson	D6/300
D359,444 S *	6/1995	Johansson	D6/300
6,286,802 B1 *	9/2001	Munson	A47G 1/1606 248/475.1
D459,981 S *	7/2002	Betts	D25/119
D479,008 S *	8/2003	Krieger	D25/121
D486,117 S *	2/2004	Isler	D12/223
D506,125 S *	6/2005	Munson	D8/373
D506,919 S *	7/2005	Munson	D8/373
D531,488 S *	11/2006	Munson	D8/373
D550,604 S *	9/2007	Walton	D12/317

D551,542 S *	9/2007	Gallien	D8/373
D556,560 S *	12/2007	Tsuda	D8/382
D630,771 S *	1/2011	Munoz Escibano	D25/124
D630,772 S *	1/2011	Munoz Escibano	D25/124
D659,513 S *	5/2012	Lin	D8/349
D791,348 S *	7/2017	Singh	D25/119
D830,813 S *	10/2018	Garfinkle	D8/354
2004/0104315 A1 *	6/2004	Betz	H02G 3/26 248/74.2
2009/0241444 A1 *	10/2009	Griffiths	E04F 13/0842 52/235
2012/0153108 A1 *	6/2012	Schneider	F16M 13/02 248/224.8
2012/0260549 A1 *	10/2012	Andrulewich	A47G 1/1606 40/745
2020/0281376 A1 *	9/2020	Gallien	A47G 1/1606

* cited by examiner

Primary Examiner — Sandra Snapp
Assistant Examiner — Ieisha N Price

(57) **CLAIM**

The ornamental design for a wall-mounted cleat for picture frame, as shown and described.

DESCRIPTION

FIG. 1 is a front perspective view of a wall-mounted cleat for picture frame showing my new design; FIG. 2 is a left side view thereof; FIG. 3 is a right side view thereof; FIG. 4 is a front elevation view thereof; FIG. 5 is a rear elevation view thereof; FIG. 6 is a top plan view thereof; FIG. 7 is a bottom plan view thereof; and, FIG. 8 is a rear perspective view thereof.

The wall-mounted cleat for picture frame is shown with a symbolic break in its length. The appearance of any portion of the article between the break lines forms no part of the claimed design.

1 Claim, 5 Drawing Sheets

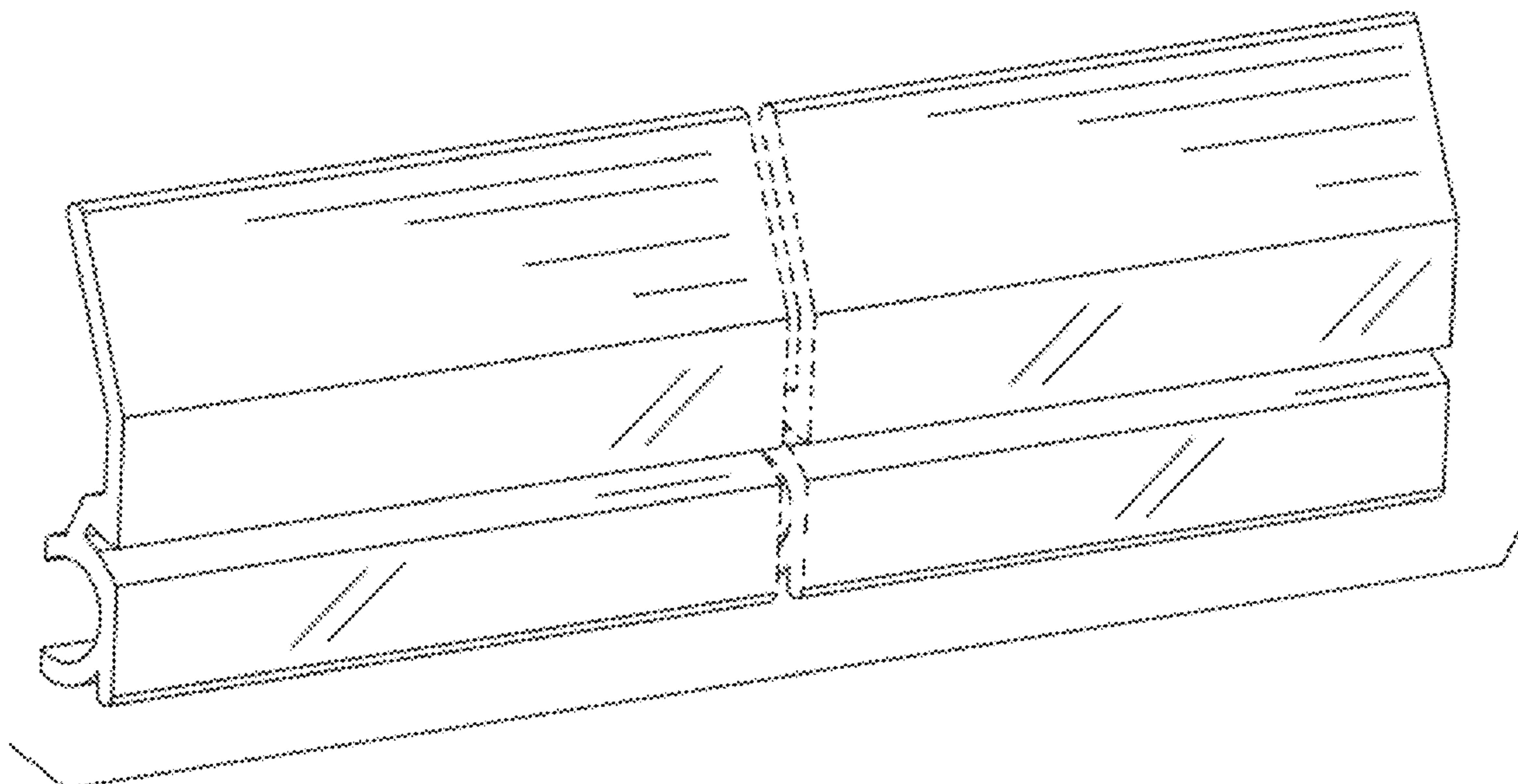


Figure 1

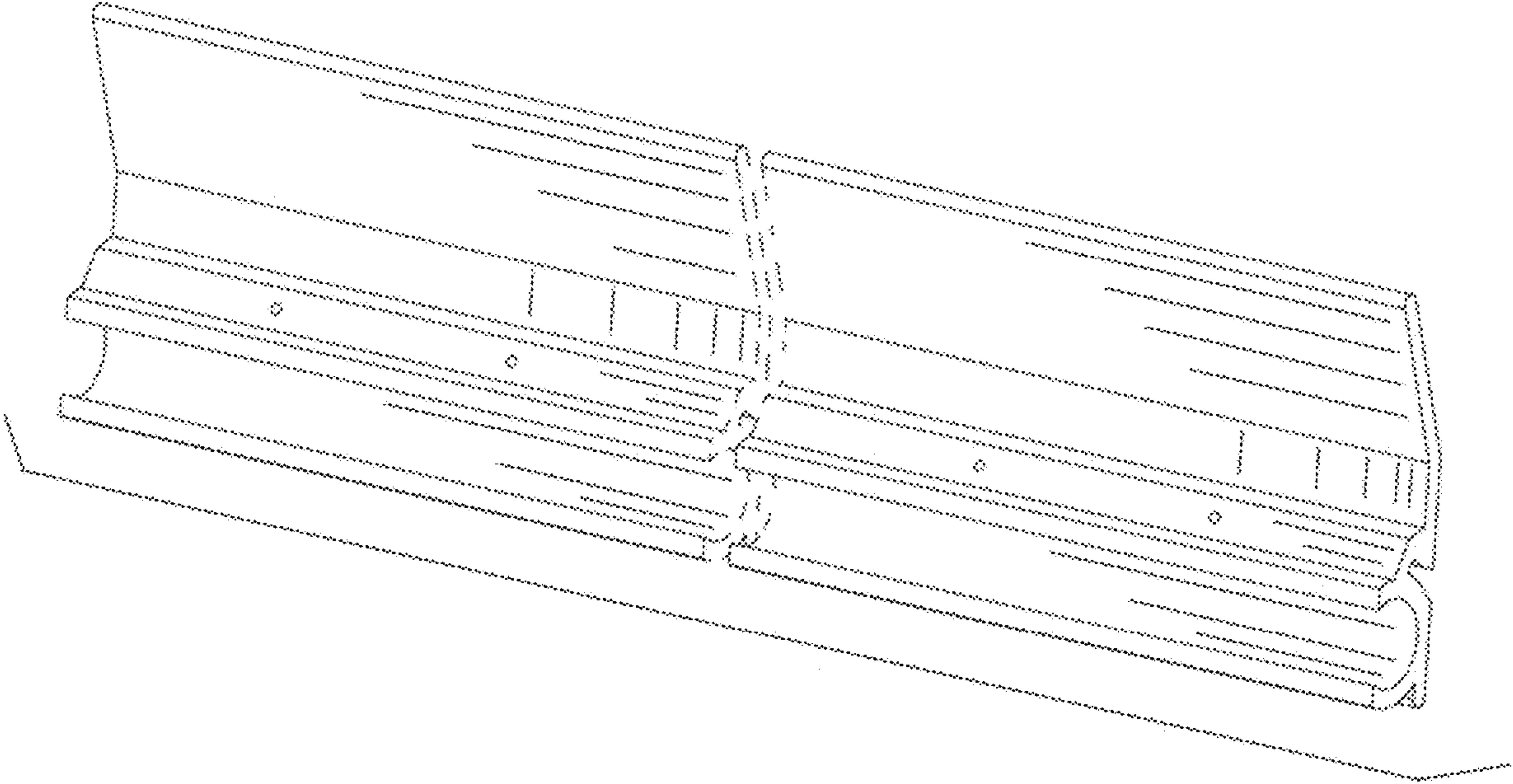


Figure 2



Figure 3



Figure 4

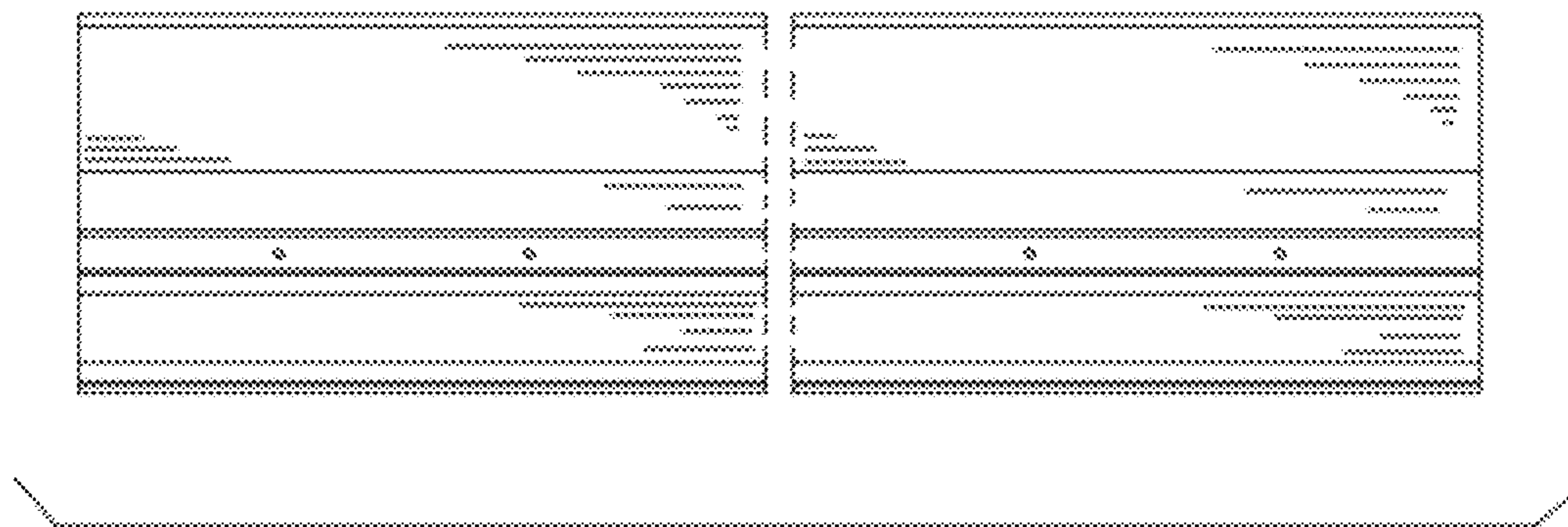


Figure 5

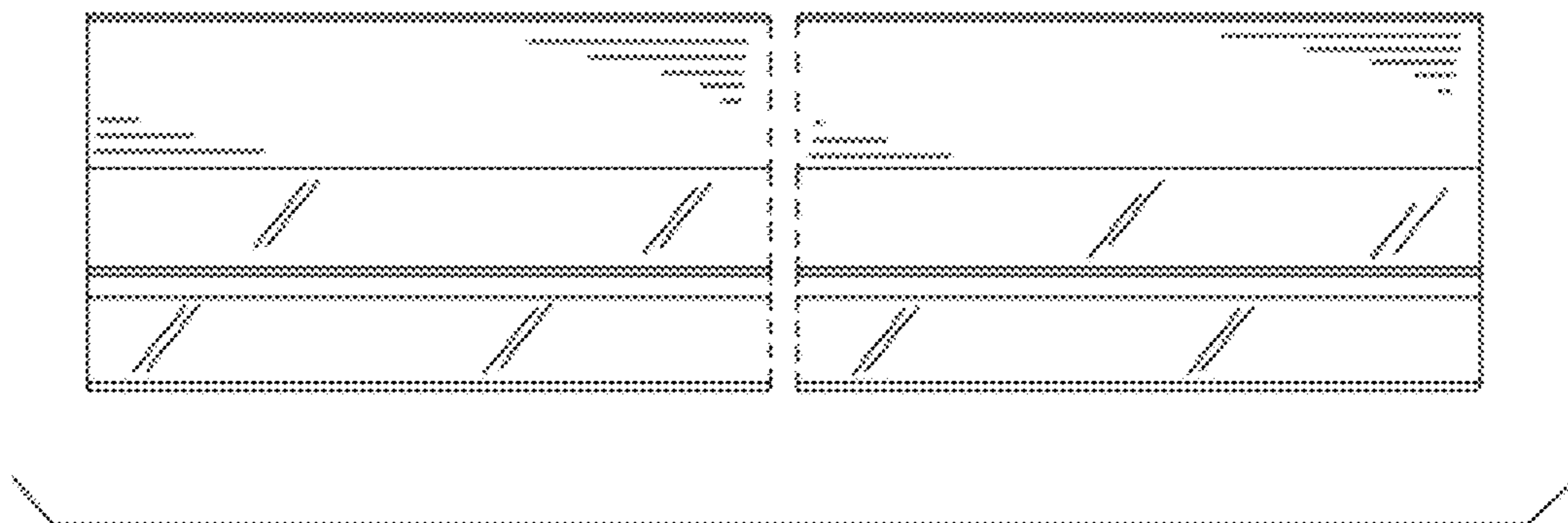


Figure 6

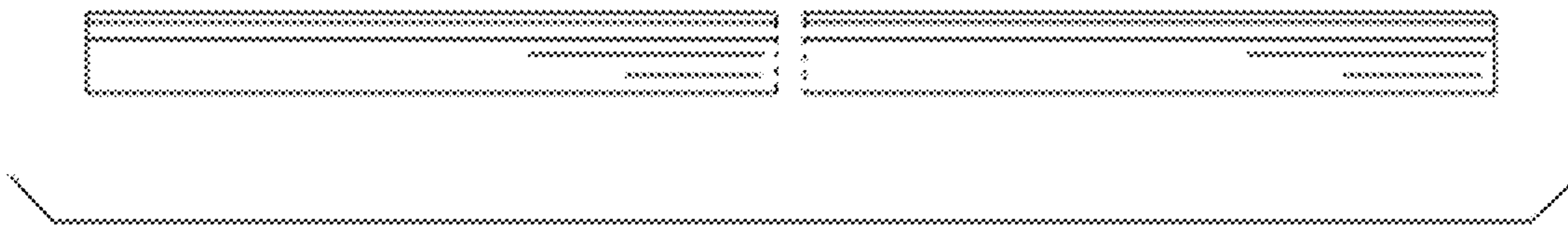


Figure 7

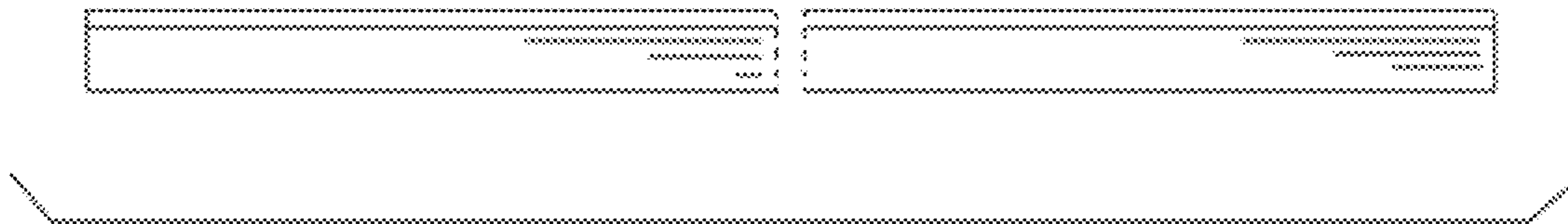


Figure 8

