



US00D910423S

(12) **United States Design Patent** (10) **Patent No.:** **US D910,423 S**
Pigg (45) **Date of Patent:** **** Feb. 16, 2021**

(54) **FIRE SUPPRESSION SYSTEM BRACKET**
(71) Applicant: **Jon Pigg**, Quitaque, TX (US)
(72) Inventor: **Jon Pigg**, Quitaque, TX (US)
(**) Term: **15 Years**
(21) Appl. No.: **29/702,931**
(22) Filed: **Aug. 22, 2019**
(51) **LOC (13) Cl.** **08-05**
(52) **U.S. Cl.**
USPC **D8/354**; D8/349
(58) **Field of Classification Search**
USPC D8/349, 354, 355, 330, 331, 380, 382;
D20/10, 13, 16, 17, 39-43, 99; D6/672,
D6/684, 680, 683.1, 703.5; D25/119,
D25/164, 199, 139, 141; D13/154, 133,
D13/129, 199
CPC .. F16C 2314/72; F16C 29/0623; F16C 29/06;
F16C 29/0609; F16C 29/005; F16C
29/008; F16C 29/04; F16C 29/0657;
F16C 29/004; F16C 29/12; A47B 1/10;
A47B 88/493; A47B 88/423; A47B
2088/4235; B44C 5/02
See application file for complete search history.

(56) **References Cited**
U.S. PATENT DOCUMENTS
D69,323 S * 1/1926 Karsh D6/672
D293,030 S * 12/1987 Vladescu D26/107

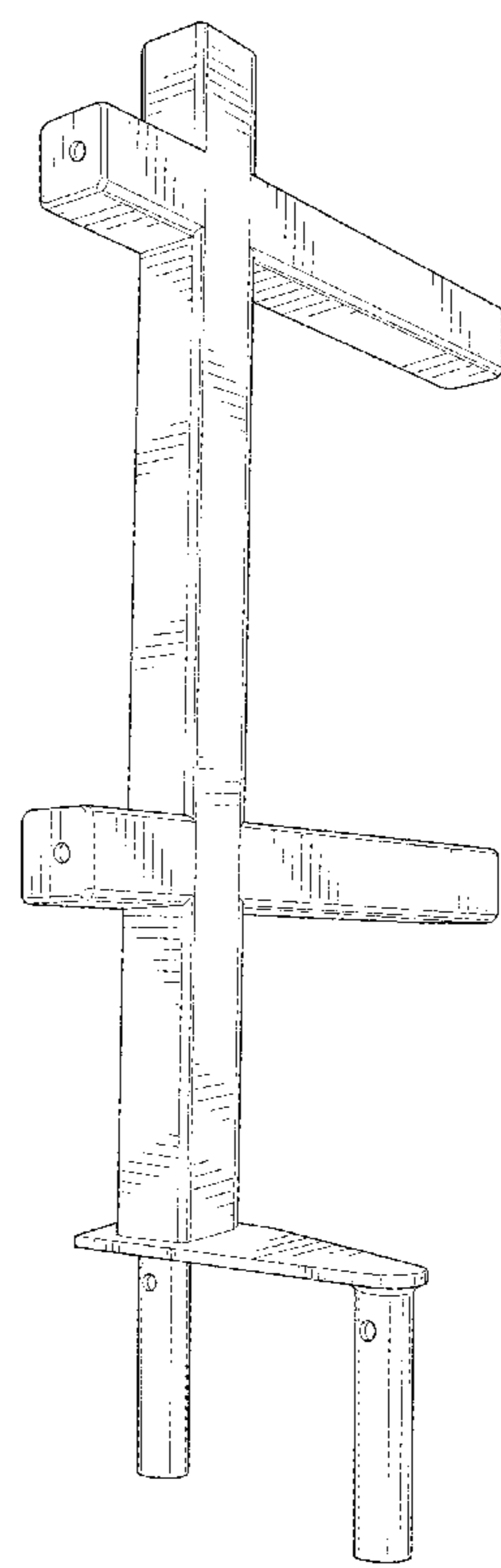
D394,381 S * 5/1998 Ziaylek, Jr. D8/354
6,378,823 B1 * 4/2002 Edholm B60K 15/067
180/68.5
D622,864 S * 8/2010 Bajrami D25/35
D641,793 S * 7/2011 Dumontier D20/41
D674,951 S * 1/2013 Sonneman D26/80
D783,390 S * 4/2017 Nelson D8/382
D834,396 S * 11/2018 Macdonald D8/349
D834,920 S * 12/2018 Macdonald D8/349
D839,075 S * 1/2019 Macdonald D8/349
D850,888 S * 6/2019 Pigg D8/349
10,565,907 B1 * 2/2020 Trifone G09F 15/0062
2018/0328069 A1 * 11/2018 Foltz E04H 12/2269

* cited by examiner
Primary Examiner — Keli L Hill
Assistant Examiner — Harold E Blackwell, II
(74) *Attorney, Agent, or Firm* — Sarah Hegi Simpson;
Simpson Law

(57) **CLAIM**
I claim the ornamental design for a fire suppression system bracket, as shown and described.

DESCRIPTION
FIG. 1 is a top front perspective view of a fire suppression system bracket showing my new design;
FIG. 2 is a top view of the device shown in FIG. 1;
FIG. 3 is a bottom view of the device shown in FIG. 1;
FIG. 4 is a front view of the device shown in FIG. 1;
FIG. 5 is a rear view of the device shown in FIG. 1;
FIG. 6 is a first side view of the device shown in FIG. 1; and,
FIG. 7 is a second side view of the device shown in FIG. 1.

1 Claim, 6 Drawing Sheets



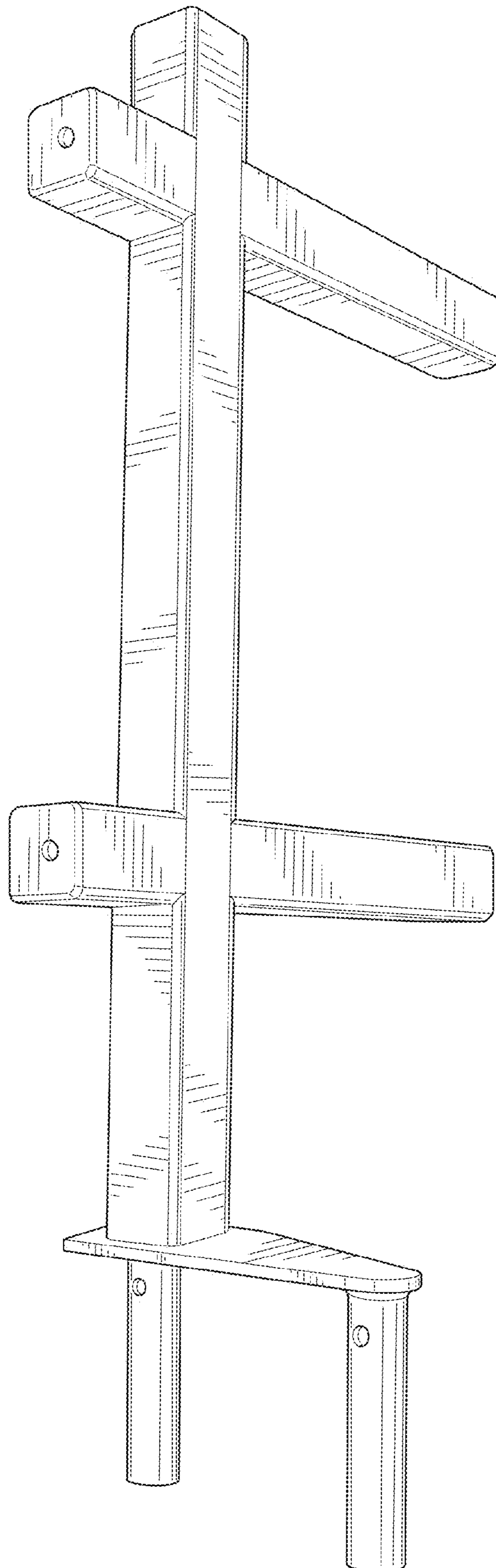


FIG. 1

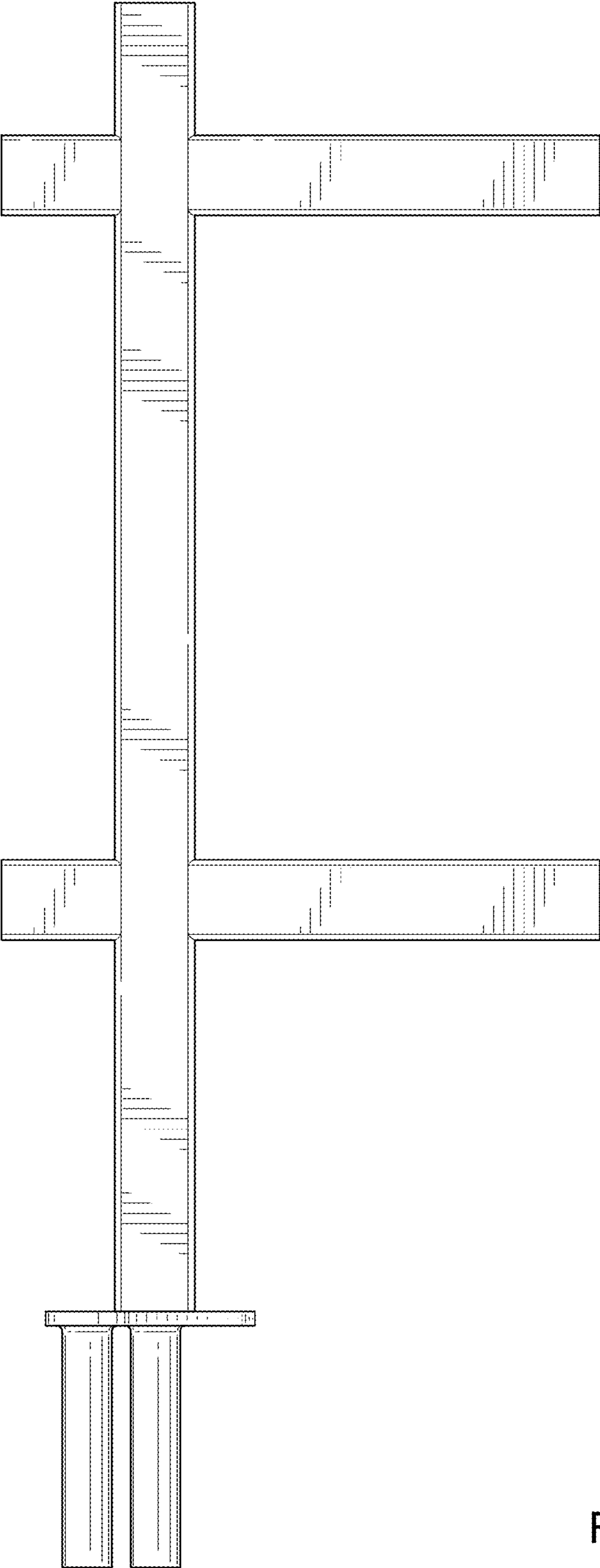


FIG. 2

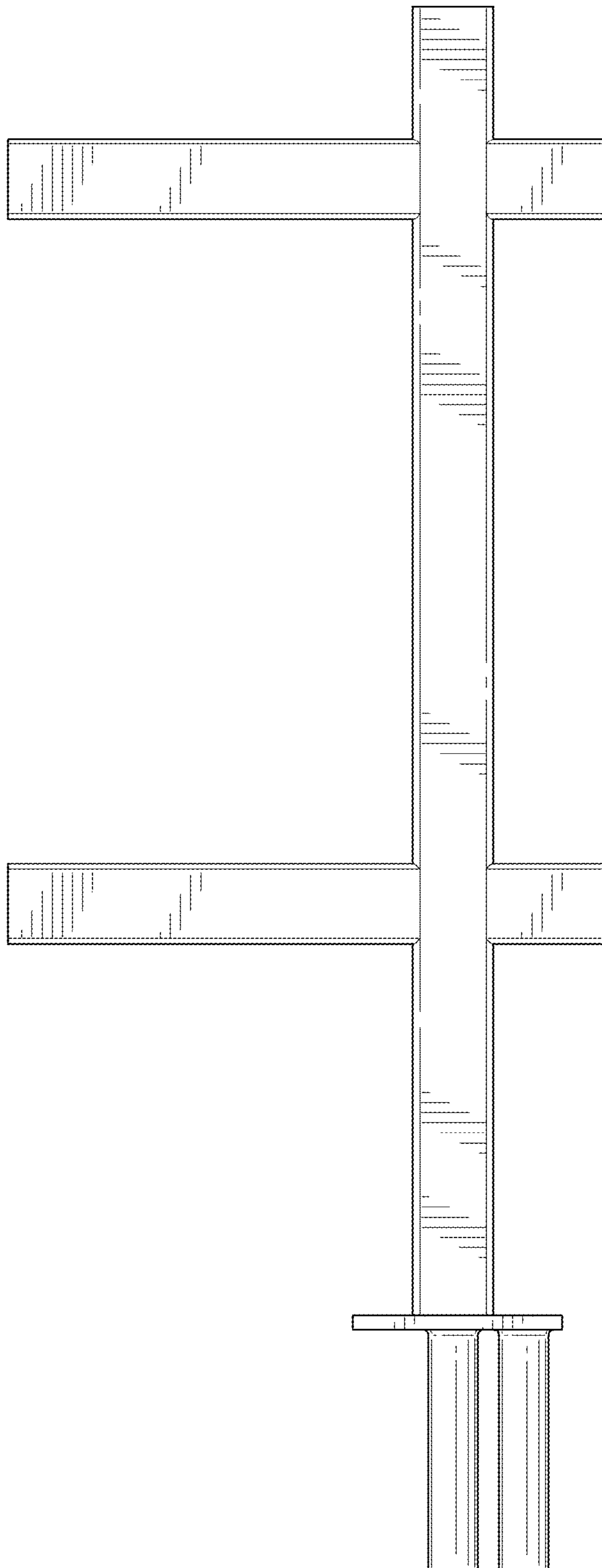


FIG. 3

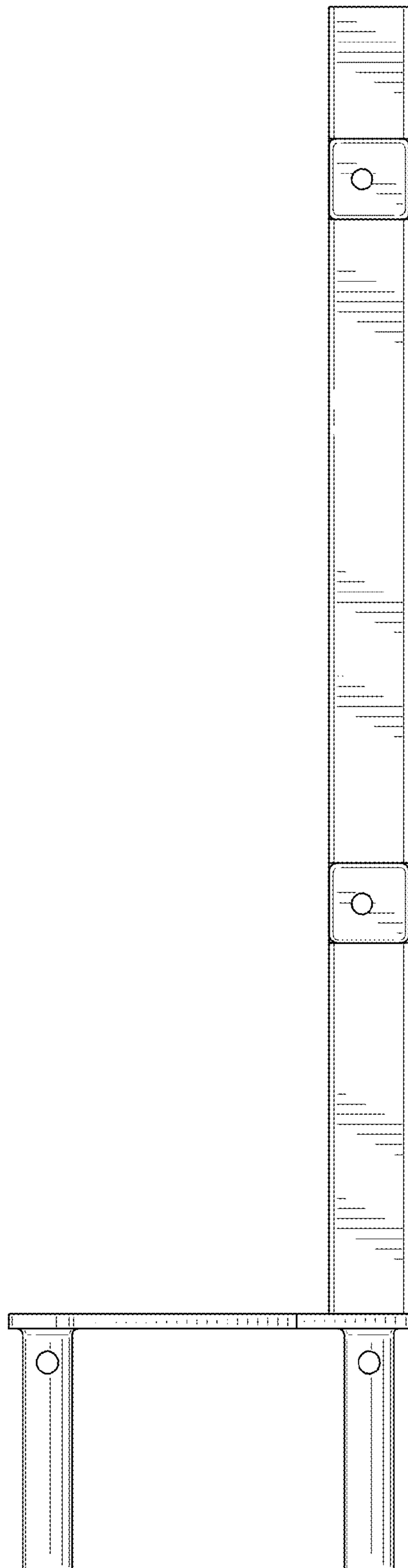


FIG. 4

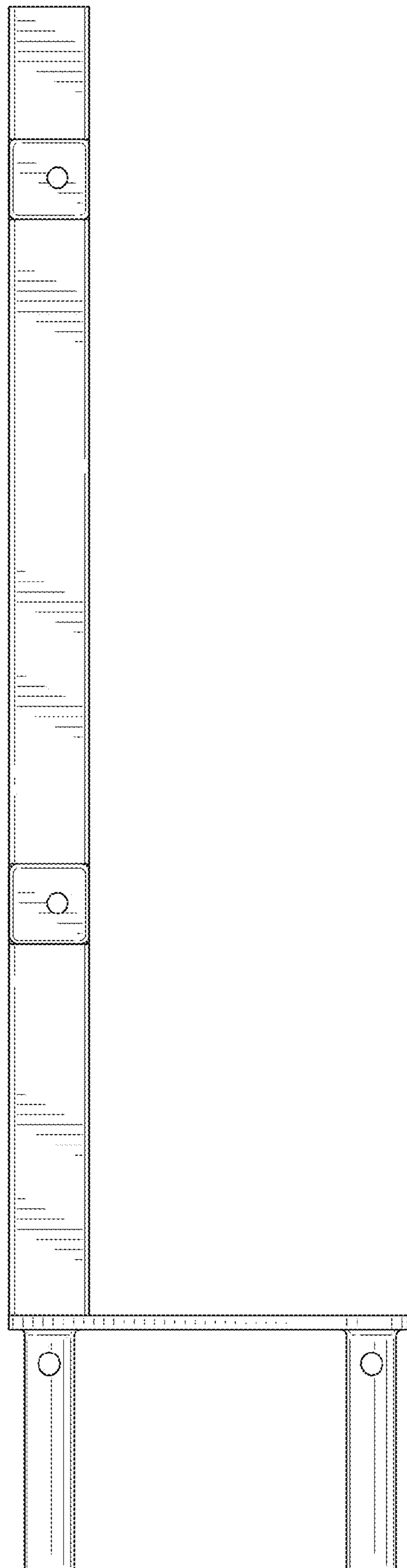


FIG. 5

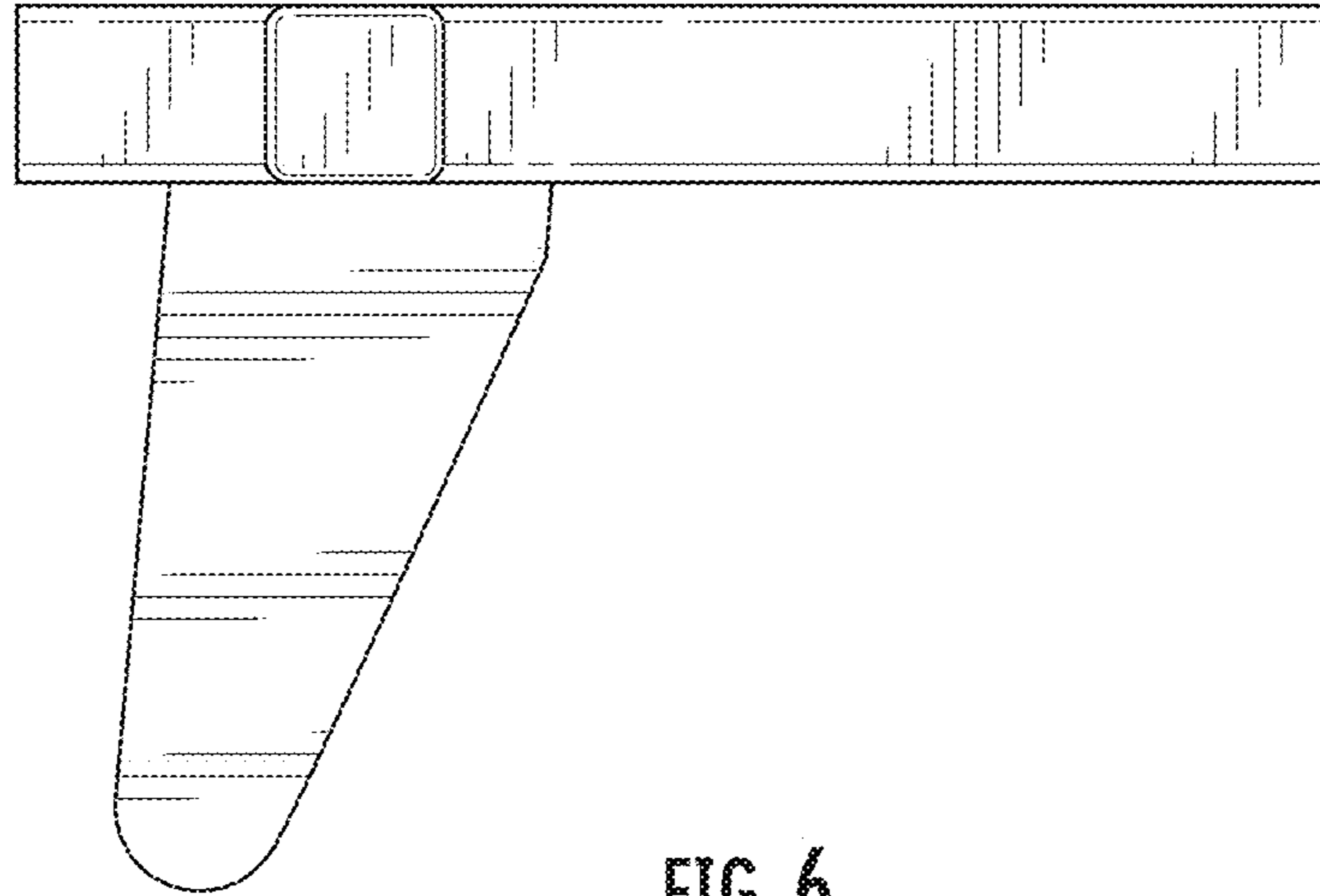


FIG. 6

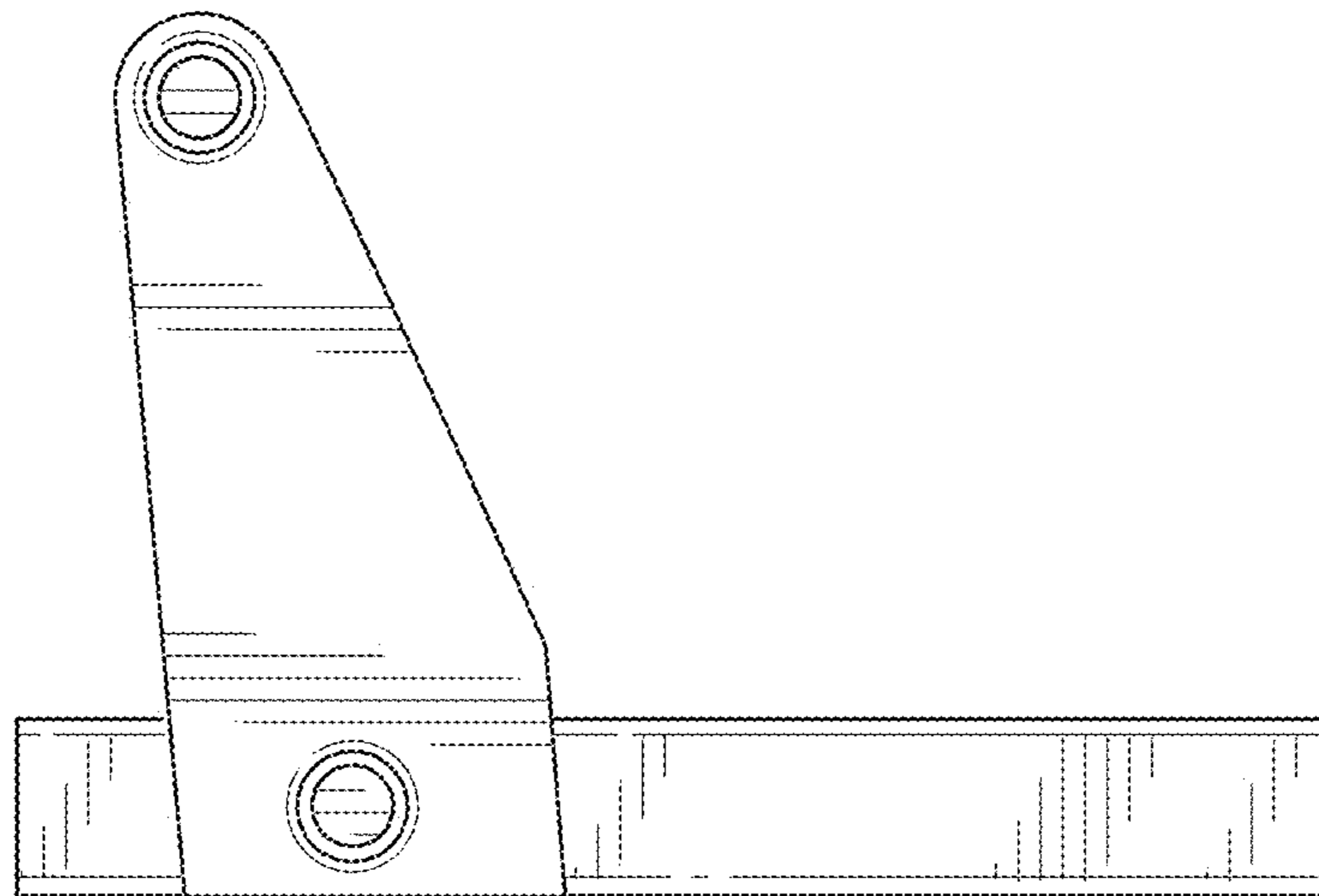


FIG. 7