



US00D910422S

(12) **United States Design Patent** (10) **Patent No.:** **US D910,422 S**
Lee (45) **Date of Patent:** **** Feb. 16, 2021**

(54) **CLIP FIXTURE FOR DECK INSTALLATION**

(71) Applicant: **Kyeong Jun Lee**, Incheon (KR)

(72) Inventor: **Kyeong Jun Lee**, Incheon (KR)

(**) Term: **15 Years**

(21) Appl. No.: **29/684,425**

(22) Filed: **Mar. 21, 2019**

(30) **Foreign Application Priority Data**

Dec. 19, 2018 (KR) 30-2018-0059977

(51) **LOC (13) Cl.** **08-05**

(52) **U.S. Cl.**
USPC **D8/354**

(58) **Field of Classification Search**
USPC D8/354
CPC E04F 15/02044; E04F 15/04; E04F
2015/02094; E04F 2201/0511
See application file for complete search history.

(56) **References Cited**

U.S. PATENT DOCUMENTS

D397,079 S * 8/1998 Woodgate D12/223
D651,503 S * 1/2012 Ellis D8/349
D789,180 S * 6/2017 Webb D8/354
D832,083 S * 10/2018 Larsen D8/354
2019/0249376 A1 * 8/2019 Lee E04F 15/02044

OTHER PUBLICATIONS

Step clip, posted at duralifedecking.com, posting date not given, [online], [site visited Aug. 26, 2020]. Available from Internet, URL: <https://duralifedecking.com/composite-decking/fasteners/step-clip/> (Year: 2020).*

TurboClip Deck Fasteners, posted at amazon.com, posting date Jun. 5, 2019, [online], [site visited Aug. 26, 2020]. Available from Internet, URL: <https://www.amazon.com/TurboClip-89280-Narrow-Universal-Fasteners/dp/B07SVBDGQ5/> (Year: 2020).*
Veranda Step-Clip Hidden Fastening Strips, posted at homedepot.com, posting date not given, [online], [site visited Aug. 26, 2020]. Available from Internet, URL: <https://www.homedepot.com/p/Veranda-Step-Clip-Hidden-Fastening-Strips-25-Piece-Box-73047054/312293155> (Year: 2020).*

* cited by examiner

Primary Examiner — George D. Kirschbaum

Assistant Examiner — Maria J. Edwards

(74) *Attorney, Agent, or Firm* — Revolution IP, PLLC

(57) **CLAIM**

The ornamental design for a clip fixture for deck installation, as shown and described.

DESCRIPTION

FIG. 1 is a front perspective view of a clip fixture for deck installation showing the claimed design;
FIG. 2 is a rear perspective view thereof;
FIG. 3 is an enlarged view, taken from the section labeled “3”, as shown in FIG. 1
FIG. 4 is an enlarged view, taken from the section labeled “4”, as shown in FIG. 1
FIG. 5 is an enlarged view, taken from the section labeled “5”, as shown in FIG. 2; and,
FIG. 6 is an enlarged view, taken from the section labeled “6”, as shown in FIG. 2.

The broken lines shown in FIGS. 1 through 6 identify enlarged view areas and form no part of the claimed design.

1 Claim, 6 Drawing Sheets

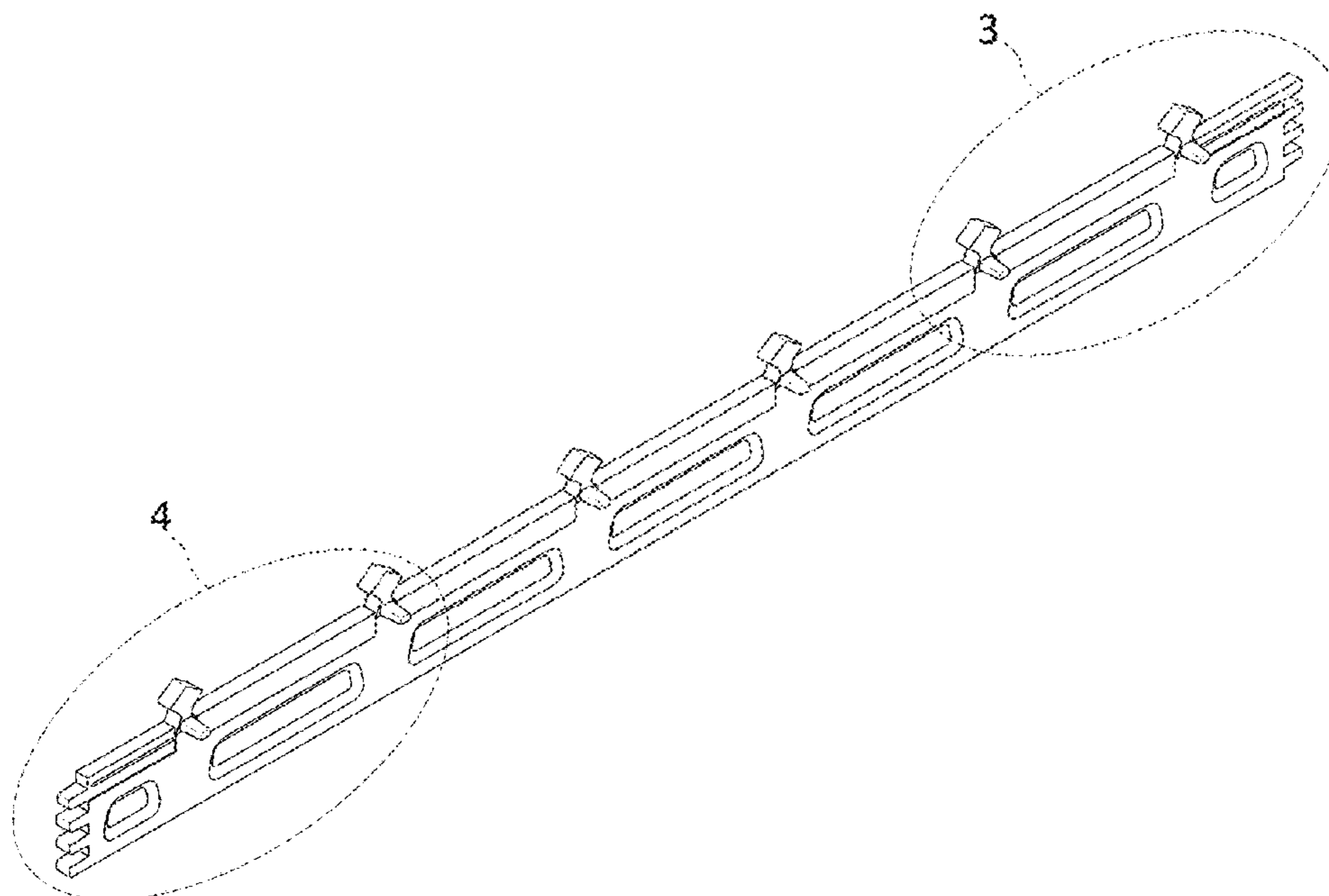


FIG. 1

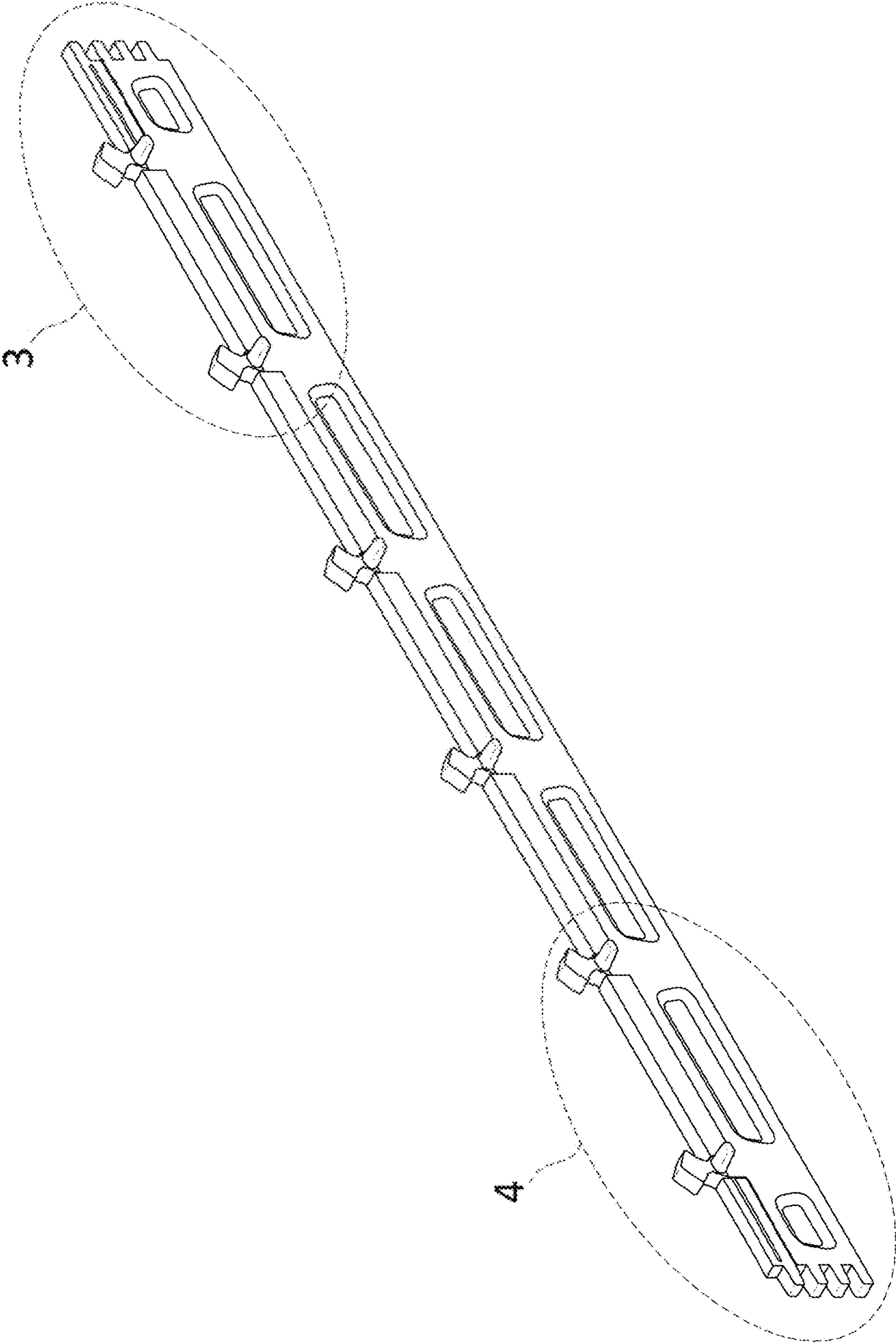


FIG. 2

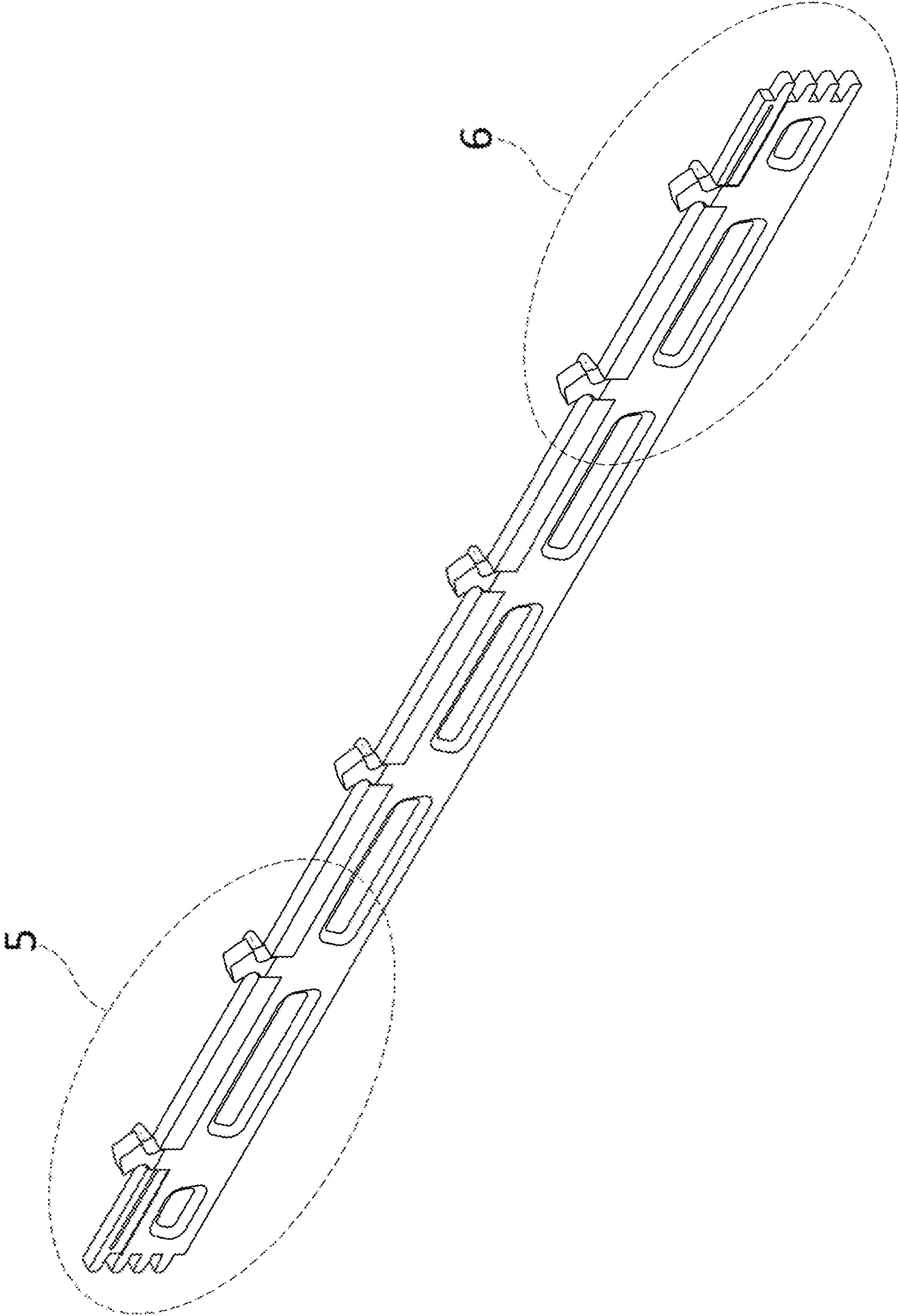


FIG. 3

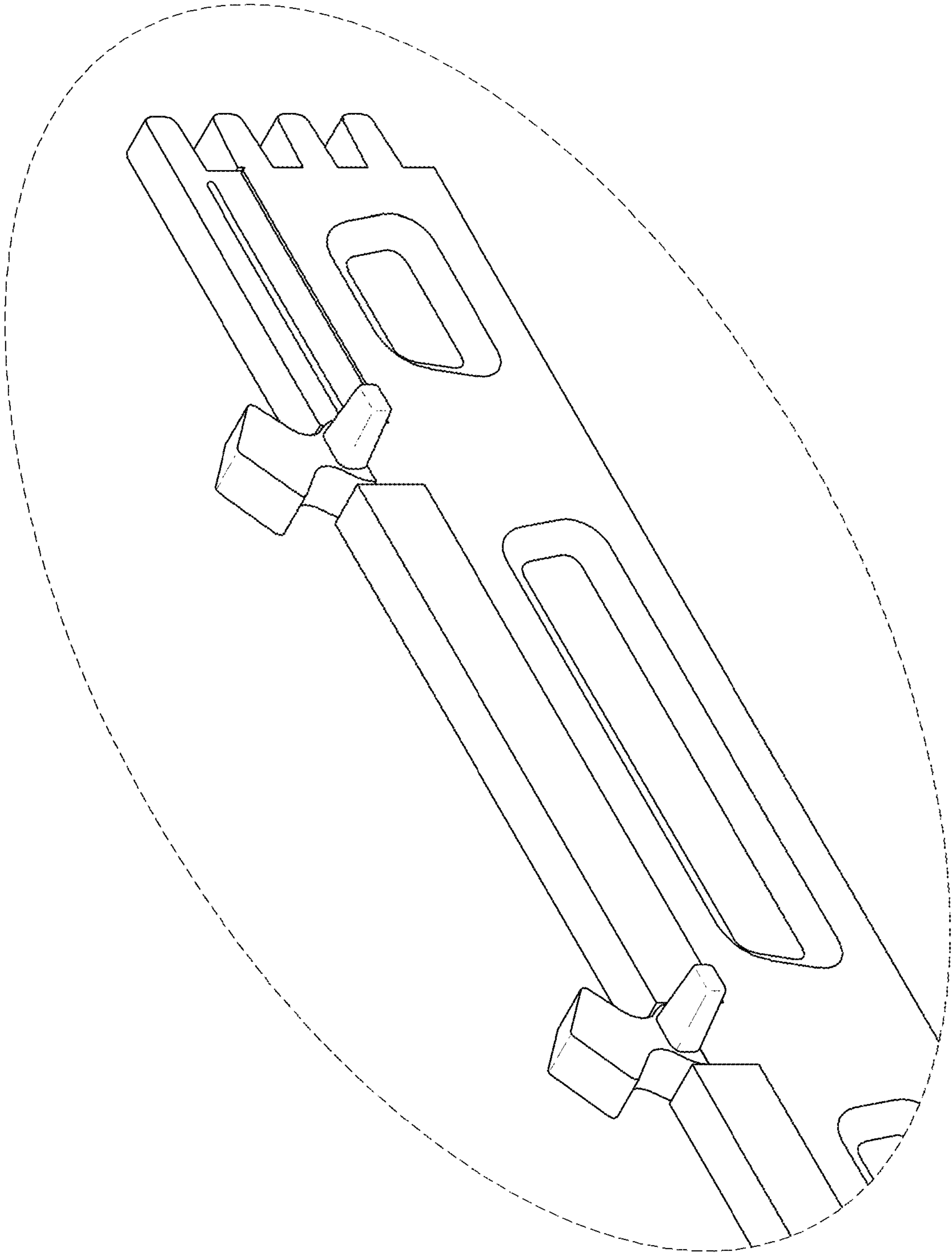


FIG. 4

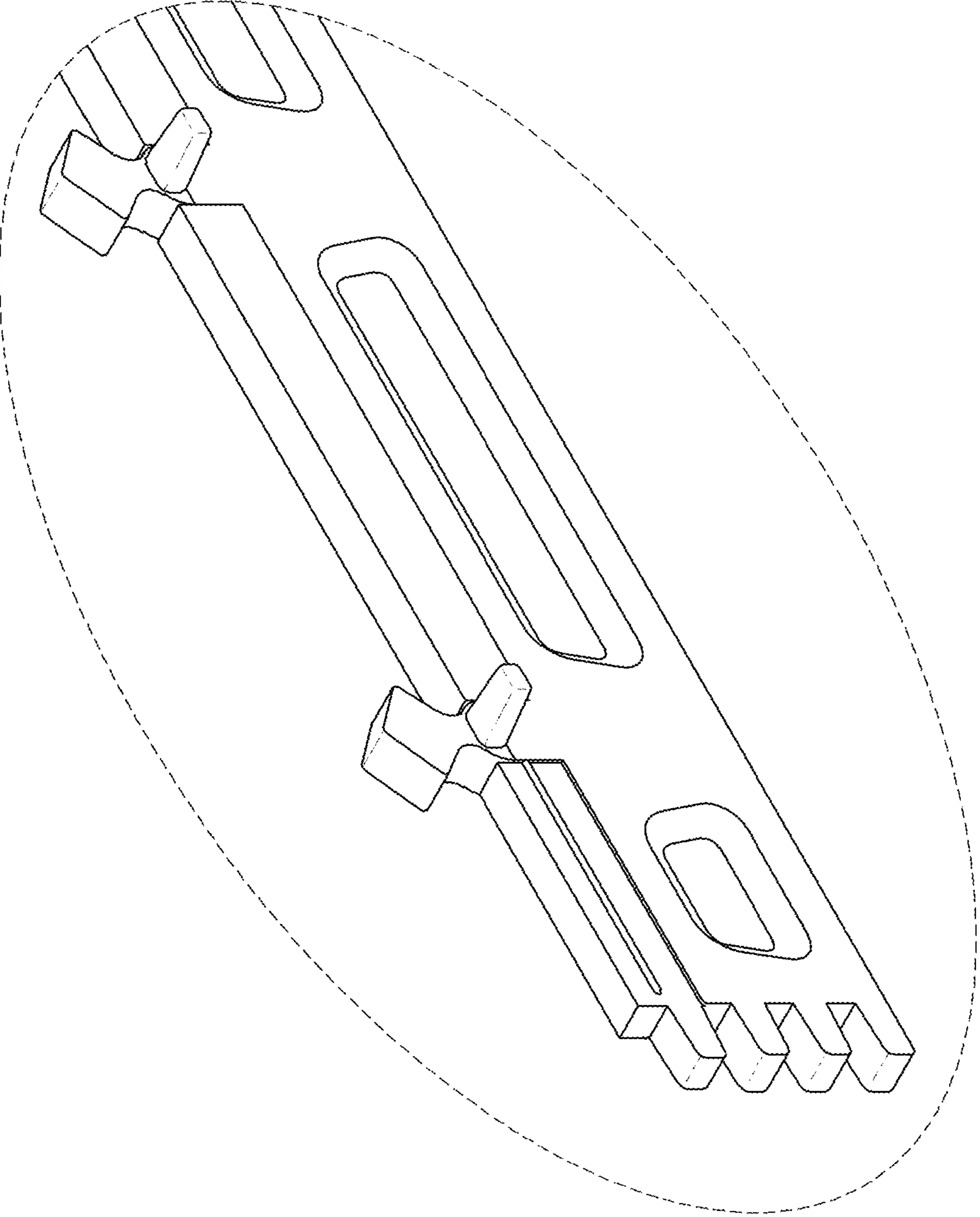


FIG. 5

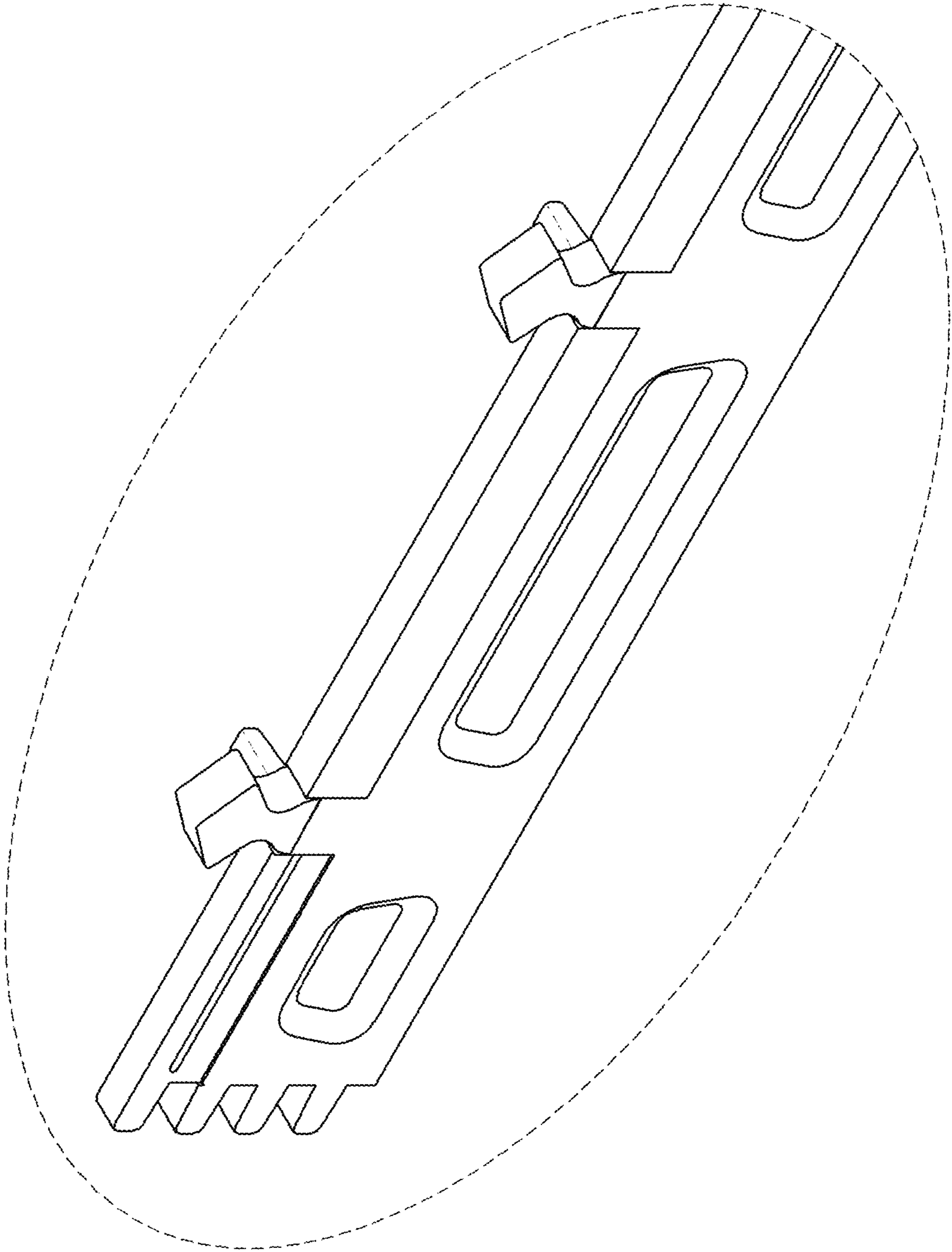


FIG. 6

