



US00D910421S

(12) **United States Design Patent**
Gosling

(10) **Patent No.:** **US D910,421 S**

(45) **Date of Patent:** **** Feb. 16, 2021**

(54) **ELONGATED COMPONENT WITH HAT CHANNEL**

(71) Applicant: **DIRTT Environmental Solutions, Ltd.**, Calgary (CA)

(72) Inventor: **Geoff William Gosling**, Calgary (CA)

(73) Assignee: **DIRTT ENVIRONMENTAL SOLUTIONS, LTD.**, Calgary (CA)

(**) Term: **15 Years**

(21) Appl. No.: **29/678,725**

(22) Filed: **Jan. 30, 2019**

(51) **LOC (13) Cl.** **08-05**

(52) **U.S. Cl.**

USPC **D8/354**

(58) **Field of Classification Search**

USPC D8/354

CPC E04B 2/789; E04C 2003/0434; E04C 2003/0473; E04C 3/07; E04C 3/32

See application file for complete search history.

(56) **References Cited**

U.S. PATENT DOCUMENTS

D398,835 S * 9/1998 Coll D8/354
D554,978 S * 11/2007 Radke D8/354
D561,563 S * 2/2008 Hoffner D8/354

(Continued)

OTHER PUBLICATIONS

Galvanized top hat section channel, posted at ebp.en.alibaba.com, posting date not given, [online], [site visited Jul. 3, 2020]. Available from Internet, URL: https://ebp.en.alibaba.com/product/60197701206-214837758/Galvanized_top_hat_section_top_hat_channel.html (Year: 2020).*

(Continued)

Primary Examiner — George D. Kirschbaum

Assistant Examiner — Maria J. Edwards

(74) *Attorney, Agent, or Firm* — Workman Nydegger

(57) **CLAIM**

The ornamental design for an elongated component with hat channel, as shown and described.

DESCRIPTION

FIG. 1 is a top, left perspective view of an embodiment of an elongated component with hat channel;

FIG. 2 is a front elevation view thereof;

FIG. 3 is a rear elevation view thereof;

FIG. 4 is a left elevation view thereof;

FIG. 5 is a right elevational view thereof;

FIG. 6 is a top plan view thereof;

FIG. 7 is a bottom plan view thereof;

FIG. 8 is a left facing longitudinal cross-sectional view thereof cut along the plane indicated in FIG. 2;

FIG. 9 is a right facing longitudinal cross-sectional view thereof cut along the plane indicated in FIG. 2;

FIG. 10 is a top, left perspective view of another embodiment of an elongated component with a hat channel;

FIG. 11 is a front elevation view thereof;

FIG. 12 is a rear elevation view thereof;

FIG. 13 is a left elevation view thereof;

FIG. 14 is a right elevational view thereof;

FIG. 15 is a top plan view thereof;

FIG. 16 is a bottom plan view thereof;

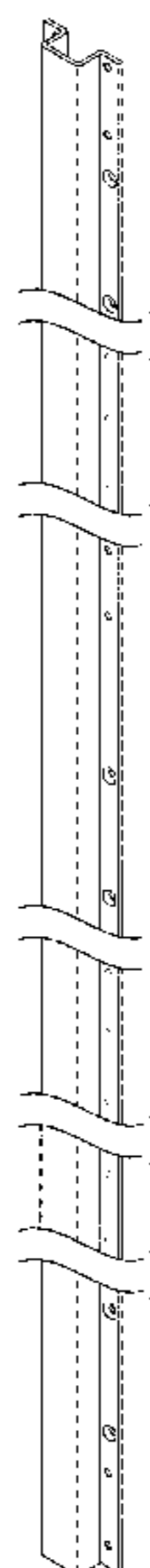
FIG. 17 is a left facing longitudinal cross-sectional view thereof cut along the plane indicated in FIG. 11; and,

FIG. 18 is a right facing longitudinal cross-sectional view thereof cut along the plane indicated in FIG. 11.

The elongated component with hat channel is shown with symbolic breaks in its length. The appearance of any portion of the article between the break lines forms no part of the claimed design.

The broken lines show portions of the elongated component with hat channel and form no part of the claimed design.

1 Claim, 6 Drawing Sheets



(56)

References Cited

U.S. PATENT DOCUMENTS

D626,822 S * 11/2010 Simard D8/381
D711,021 S * 8/2014 Singh D25/119
D742,540 S * 11/2015 Singh D25/119
D817,520 S * 5/2018 Gonzales D25/126
D879,217 S * 3/2020 Dunahay D21/686
2010/0171017 A1 * 7/2010 Chang F16M 13/02
248/274.1
2020/0131767 A1 * 4/2020 Webb E04B 1/24

OTHER PUBLICATIONS

Geolam Siding, posted at monarchmetal.com, posting date not given, [online], [site visited Jul. 3, 2020]. Available from Internet, URL: <https://www.monarchmetal.com/products/geolam-siding/> (Year: 2020).*

Hat Channels, posted at johnsonrollforming.com, posting date not given, [online], [site visited Jul. 3, 2020]. Available from Internet, URL: <https://www.johnsonrollforming.com/display.php/display/A3/category/4> (Year: 2020).*

* cited by examiner

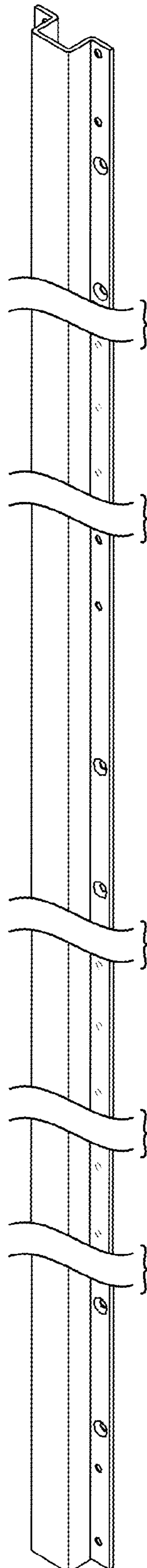
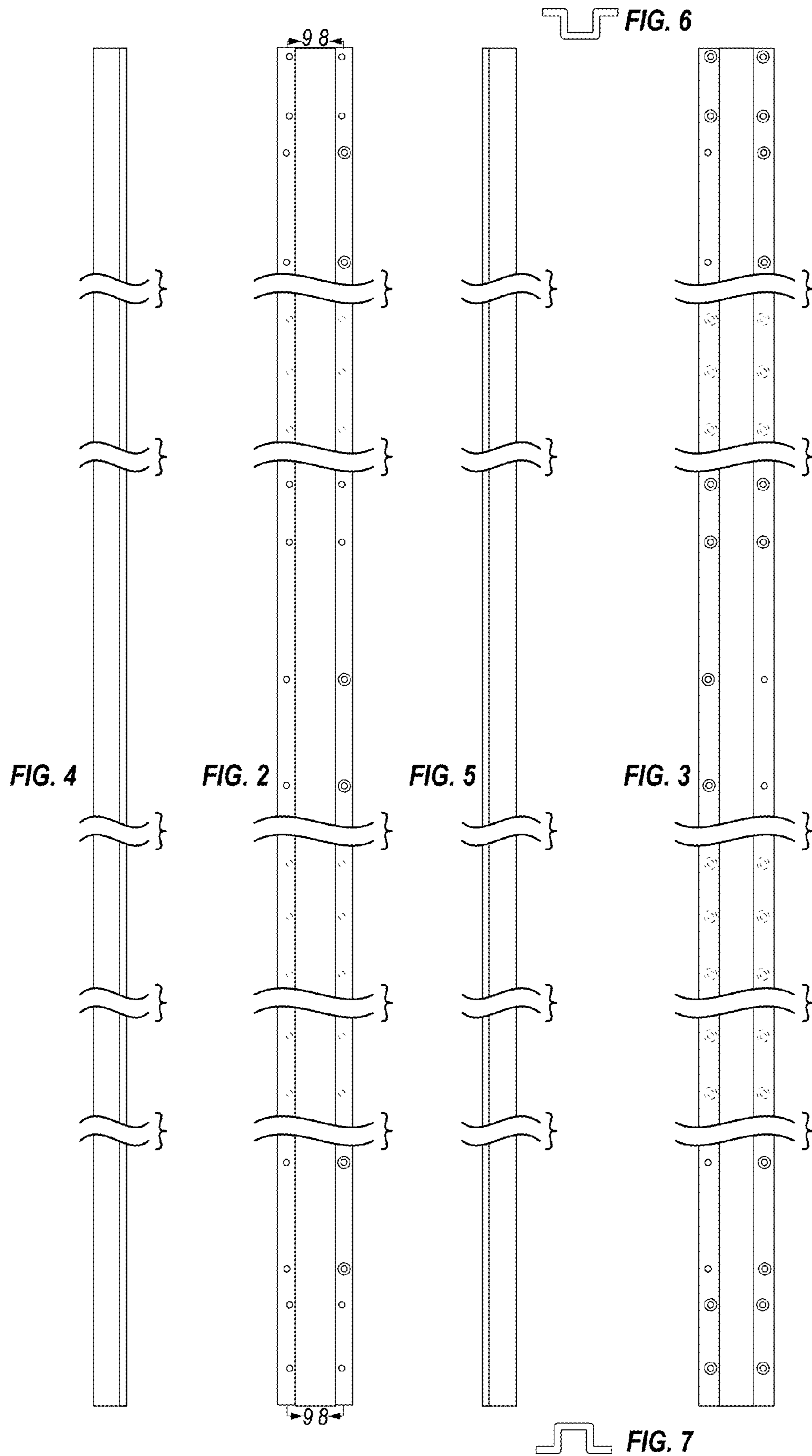


FIG. 1



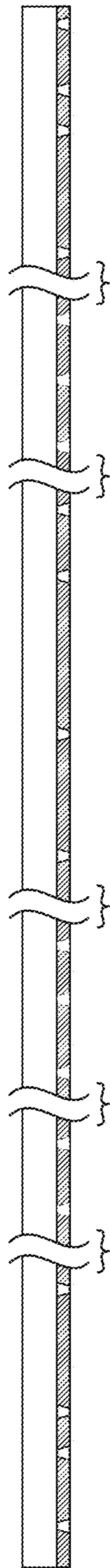


FIG. 8

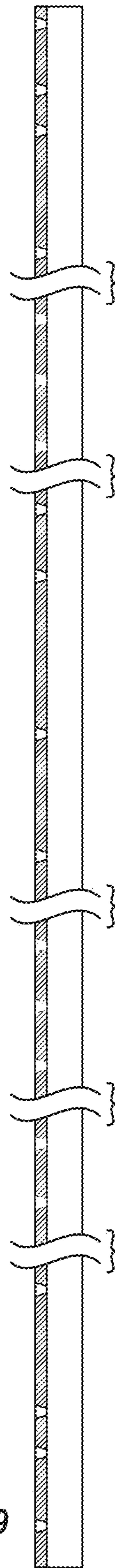


FIG. 9

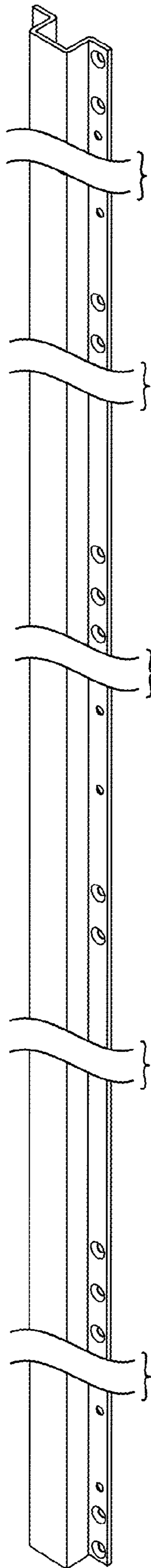
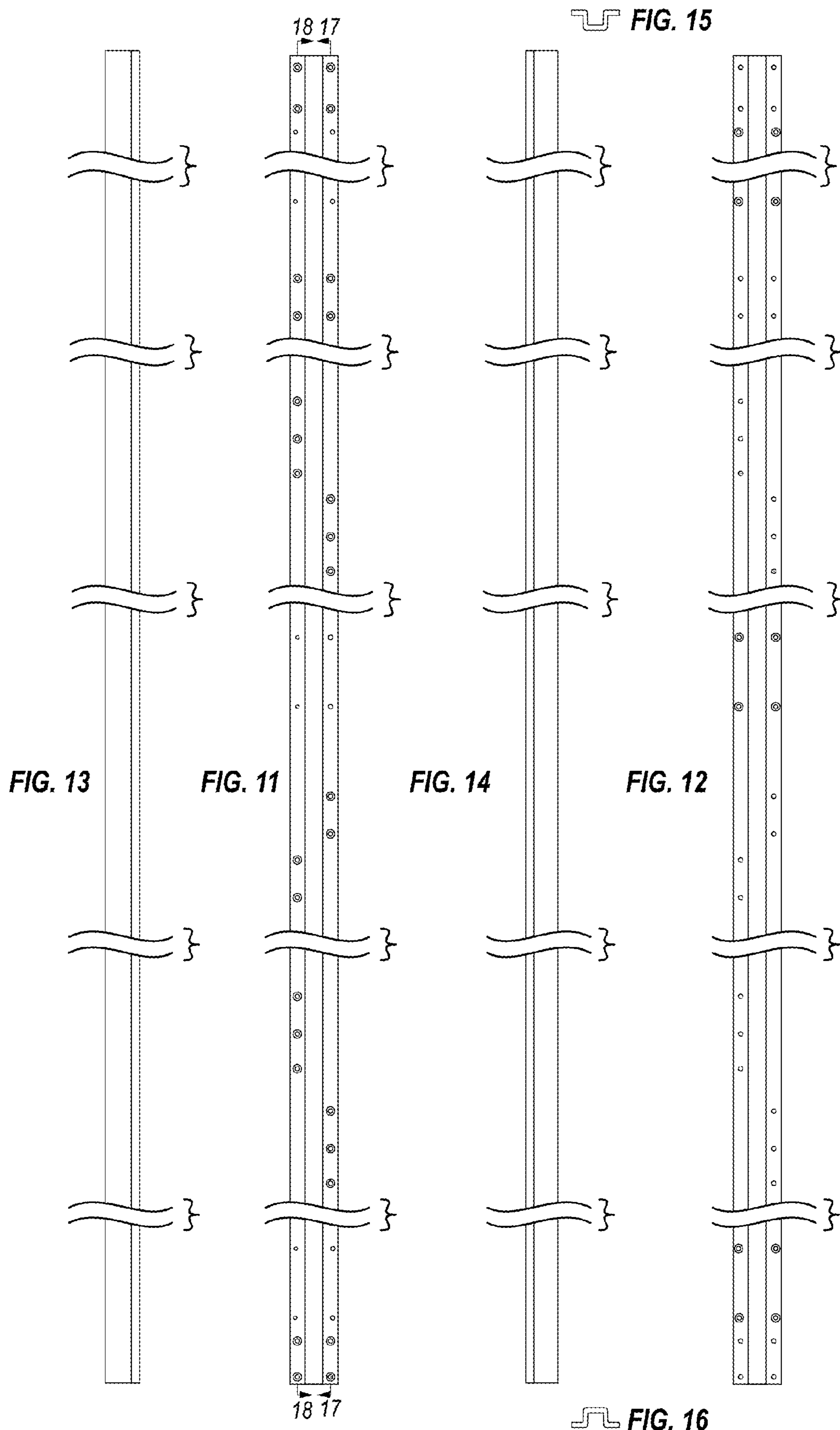


FIG. 10



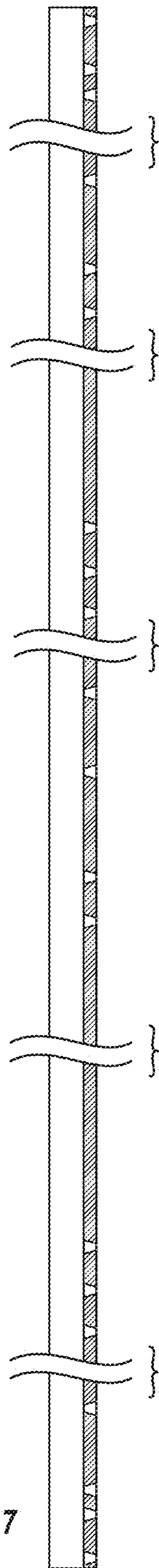


FIG. 17

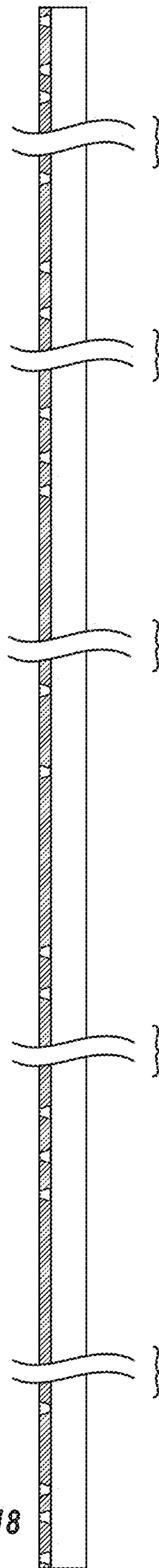


FIG. 18