



US00D910420S

(12) **United States Design Patent**
Bridgewater et al.

(10) **Patent No.:** **US D910,420 S**

(45) **Date of Patent:** **** Feb. 16, 2021**

(54) **ATTACHMENT POINT FOR AN OUTRIGGER GUIDE**

(71) Applicant: **Gem Products, Inc.**, Orange Park, FL (US)

(72) Inventors: **Erle Matthew Bridgewater**, Orange Park, FL (US); **Wylie Davin Nagler**, Orange Park, FL (US); **Michael Joseph Fafard**, Orange Park, FL (US); **Matthew Stewart Onorato**, Orange Park, FL (US)

(73) Assignee: **GEM Products, Inc.**, Jacksonville, FL (US)

(**) Term: **15 Years**

(21) Appl. No.: **29/615,058**

(22) Filed: **Aug. 25, 2017**

(51) **LOC (13) Cl.** **08-05**

(52) **U.S. Cl.**
USPC **D8/354**

(58) **Field of Classification Search**
USPC D8/354, 349, 356, 364, 367, 373, 380, D8/382, 383, 396; D23/262, 265
CPC H02G 3/0691; H02G 3/06; H02G 3/0616
See application file for complete search history.

(56) **References Cited**

U.S. PATENT DOCUMENTS

D152,275 S *	1/1949	Ludwig	D13/146
D646,224 S *	10/2011	Guo	D13/147
D646,229 S *	10/2011	Guo	D13/156
D647,060 S *	10/2011	Guo	D13/156
D862,203 S *	10/2019	Beagen	D8/354
10,470,451 B2 *	11/2019	Onorato	B63B 35/14
D872,563 S *	1/2020	Beagen	D8/354
10,575,512 B2 *	3/2020	Bridgewater	A01K 97/06

10,589,824 B2 *	3/2020	Bridgewater	B63B 17/02
2007/0205601 A1 *	9/2007	Shemtov	H02G 3/0675
				285/151.1
2014/0020777 A1 *	1/2014	Kacik	F16K 27/045
				137/801

(Continued)

Primary Examiner — Keli L Hill

Assistant Examiner — Harold E Blackwell, II

(74) *Attorney, Agent, or Firm* — Seyfarth Shaw LLP

(57) **CLAIM**

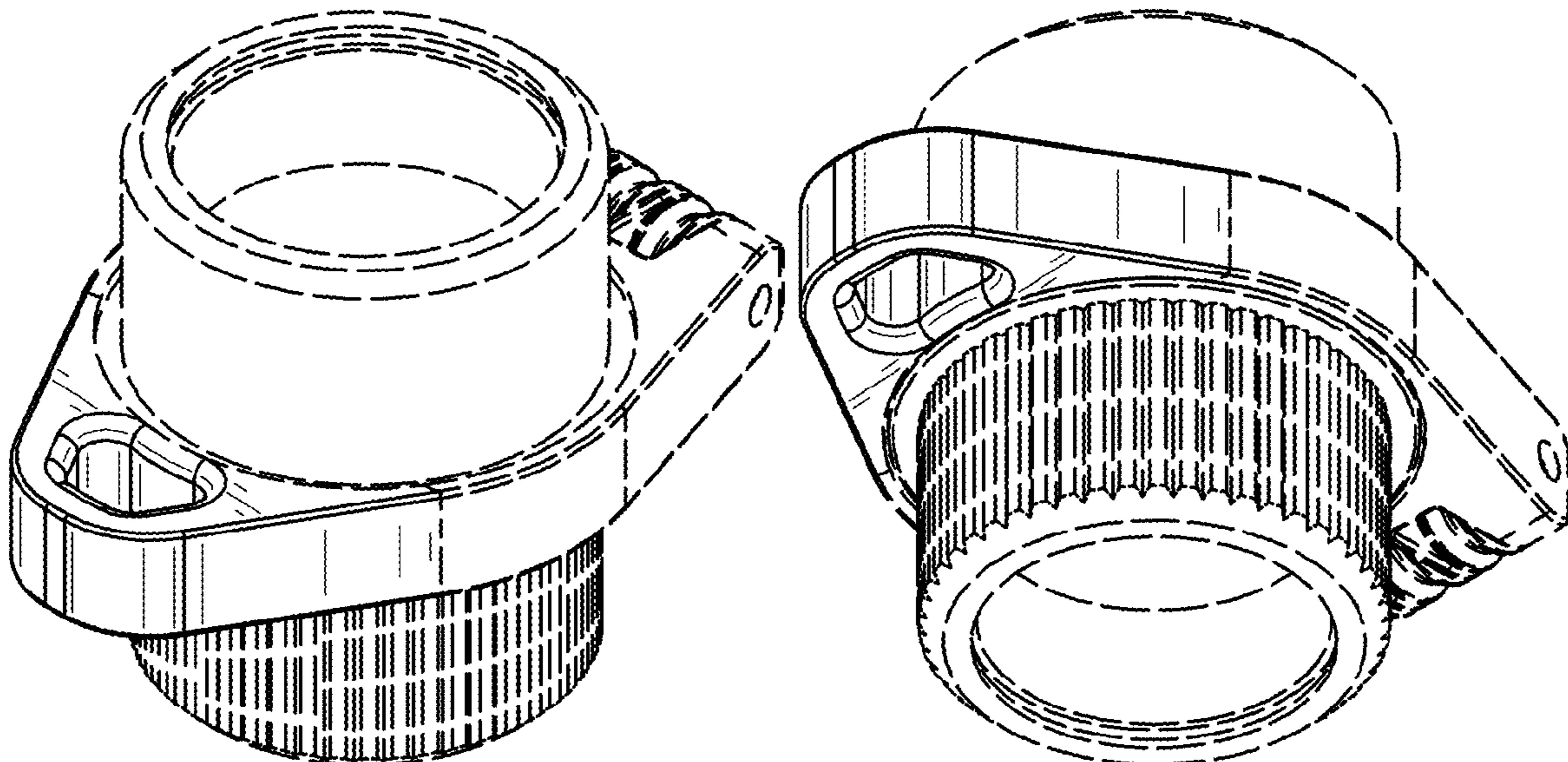
The ornamental design for the attachment point for an outrigger guide, as shown and described.

DESCRIPTION

FIG. 1 is a first perspective view of an attachment point for an outrigger guide;
 FIG. 2 is a second perspective view of the attachment point for an outrigger guide;
 FIG. 3 is a third perspective view of the attachment point for an outrigger guide;
 FIG. 4 is a fourth perspective view of the attachment point for an outrigger guide;
 FIG. 5 is a first elevation view of the attachment point for an outrigger guide;
 FIG. 6 is second elevation view of the attachment point for an outrigger guide;
 FIG. 7 is a first side view of the attachment point for an outrigger guide;
 FIG. 8 is a second side view of the attachment point for an outrigger guide;
 FIG. 9 is a third side view of the attachment point for an outrigger guide; and,
 FIG. 10 is a fourth side view of the attachment point for an outrigger guide.

The broken lines immediately adjacent to the shaded areas represent bounds of the claimed design while all other broken lines in the drawings illustrate portions of the attachment point for an outrigger guide; all broken lines form no part of the claimed design.

1 Claim, 5 Drawing Sheets



(56)

References Cited

U.S. PATENT DOCUMENTS

2015/0048614 A1* 2/2015 Coyle, Jr. F16L 19/12
285/322
2015/0069750 A1* 3/2015 Jung H02G 3/0675
285/14
2017/0086442 A1* 3/2017 Onorato F16B 7/1418
2017/0089374 A1* 3/2017 Onorato B63B 35/14
2018/0014522 A1* 1/2018 Bridgewater A01K 97/06

* cited by examiner

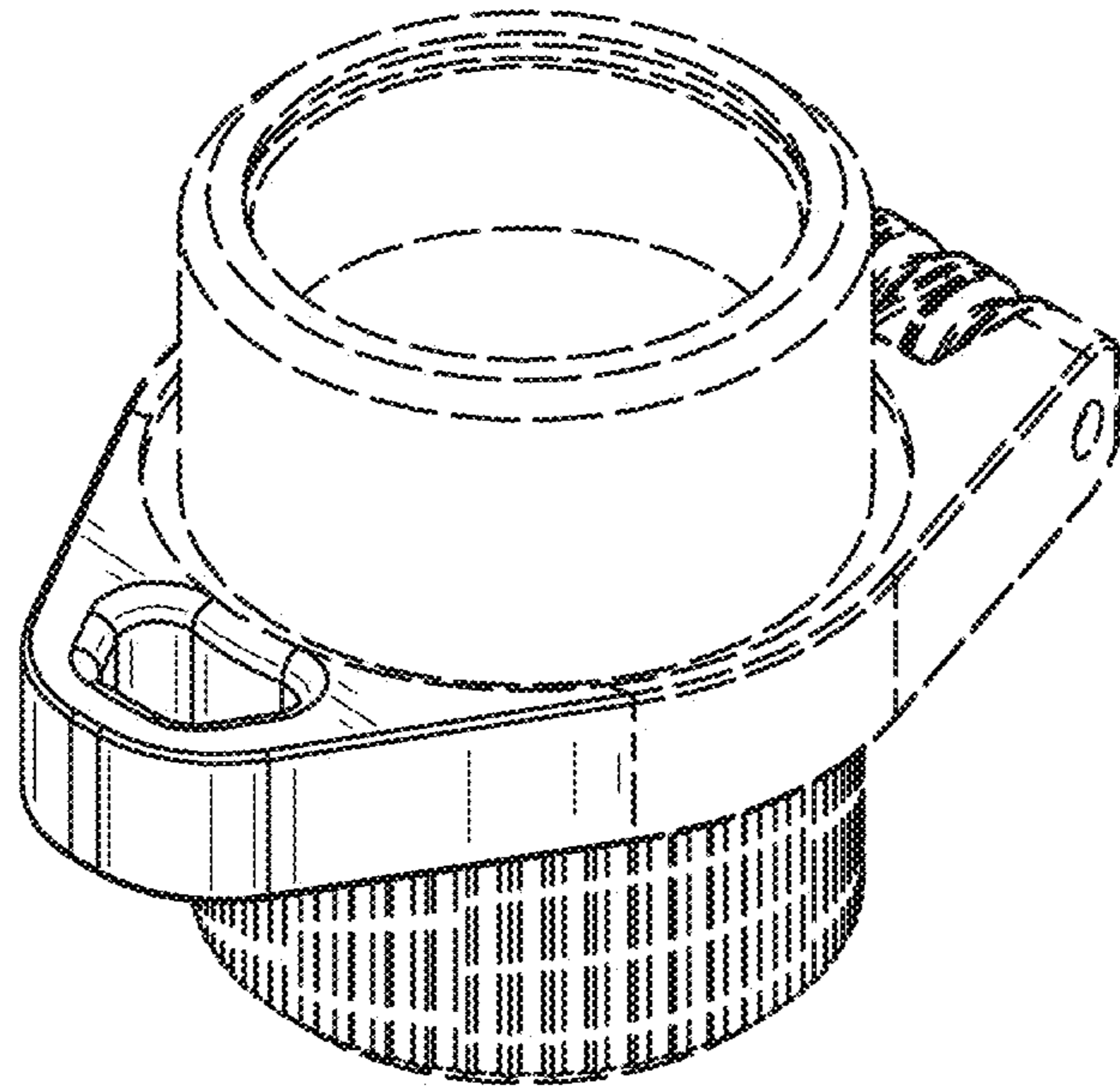


FIG. 1

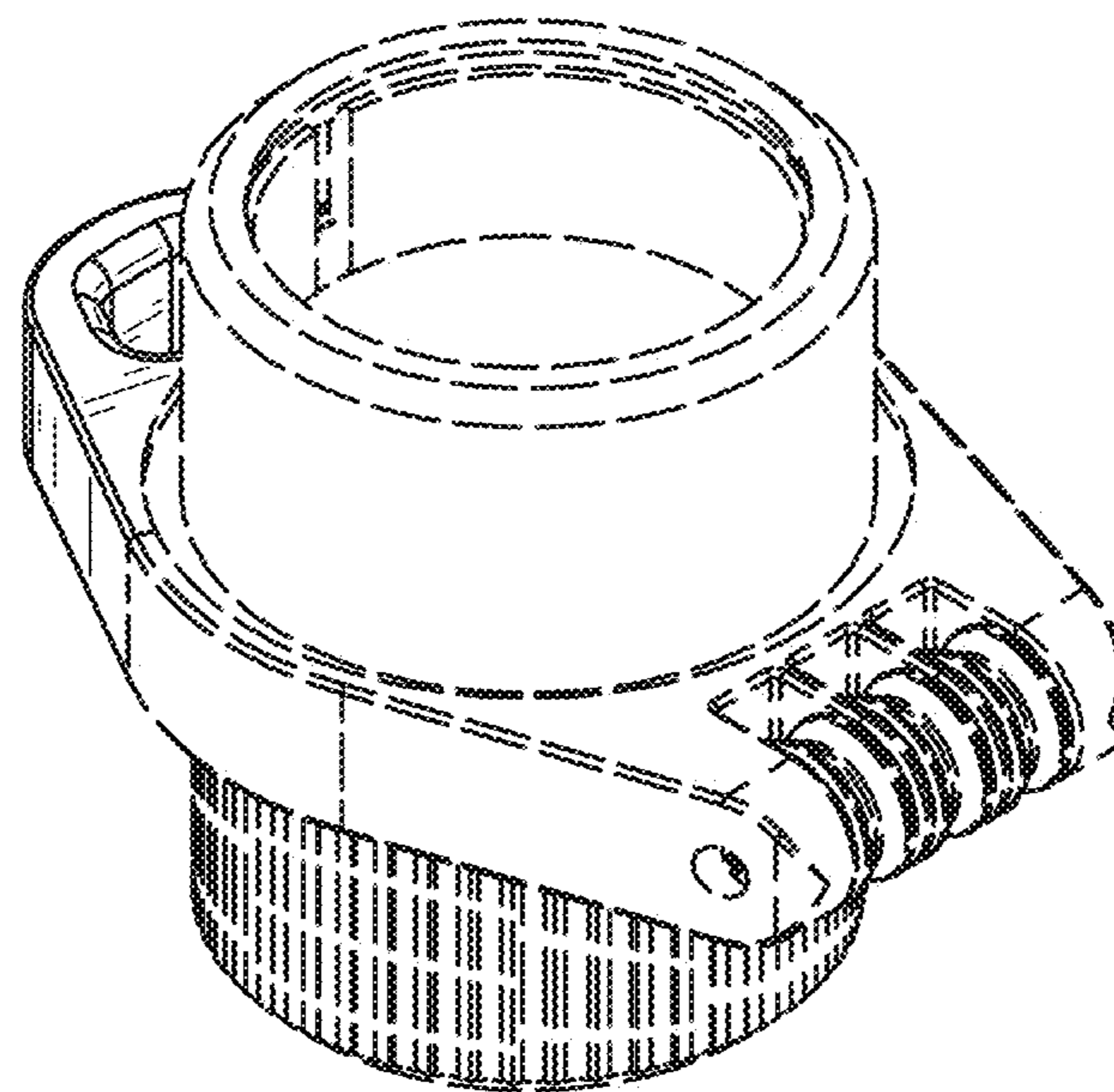


FIG. 2

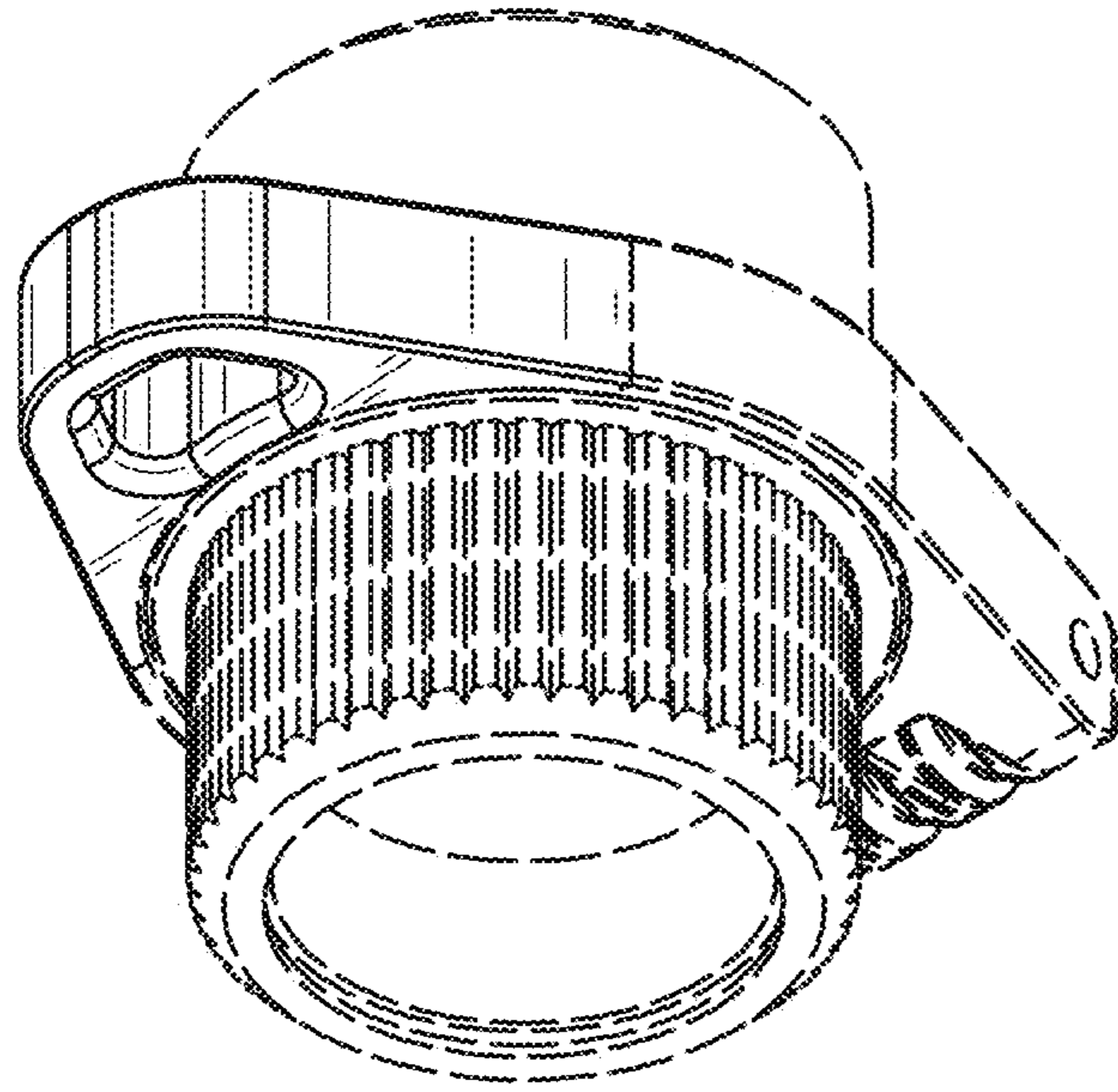


FIG. 3

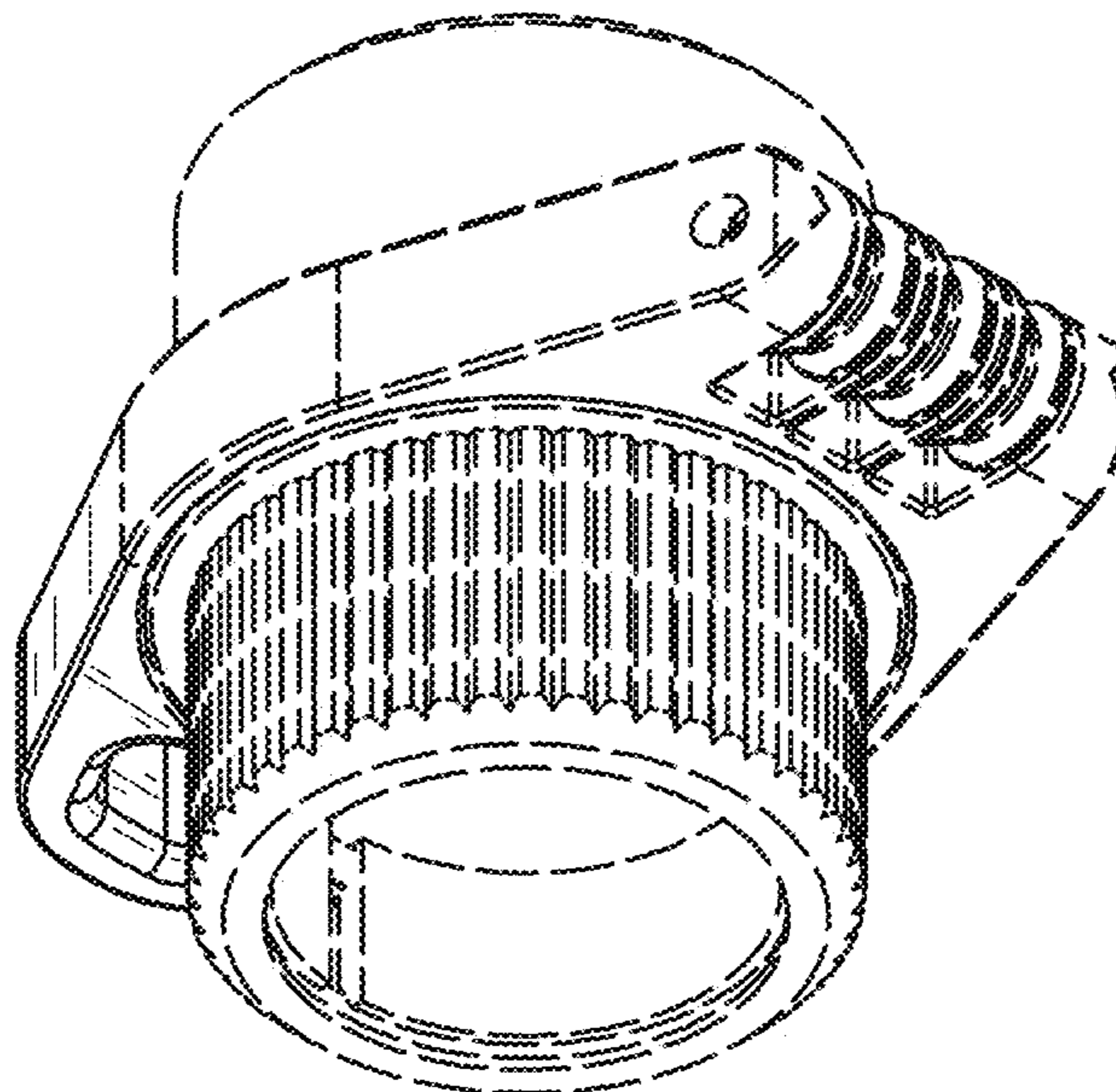


FIG. 4

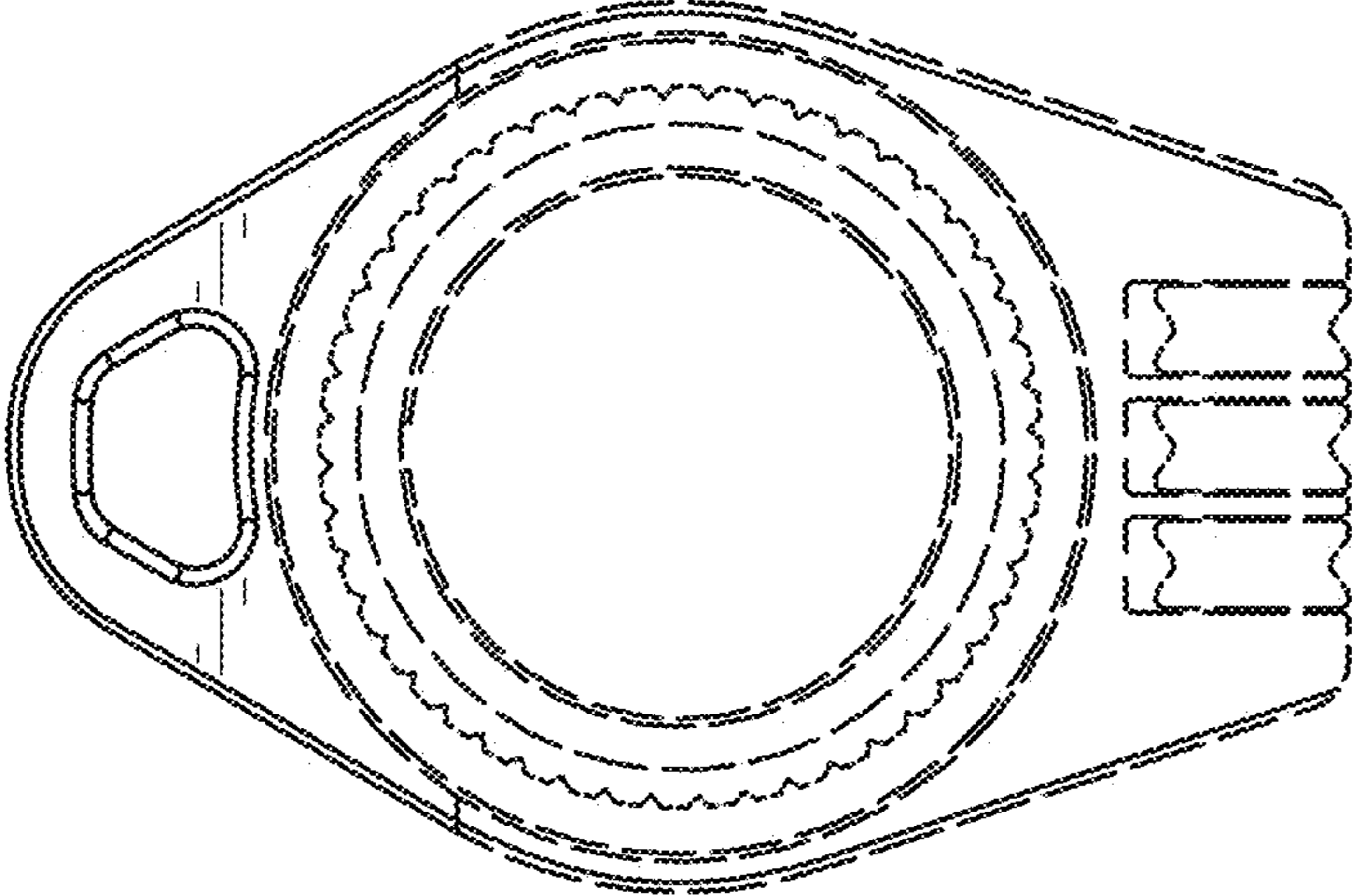


FIG. 5

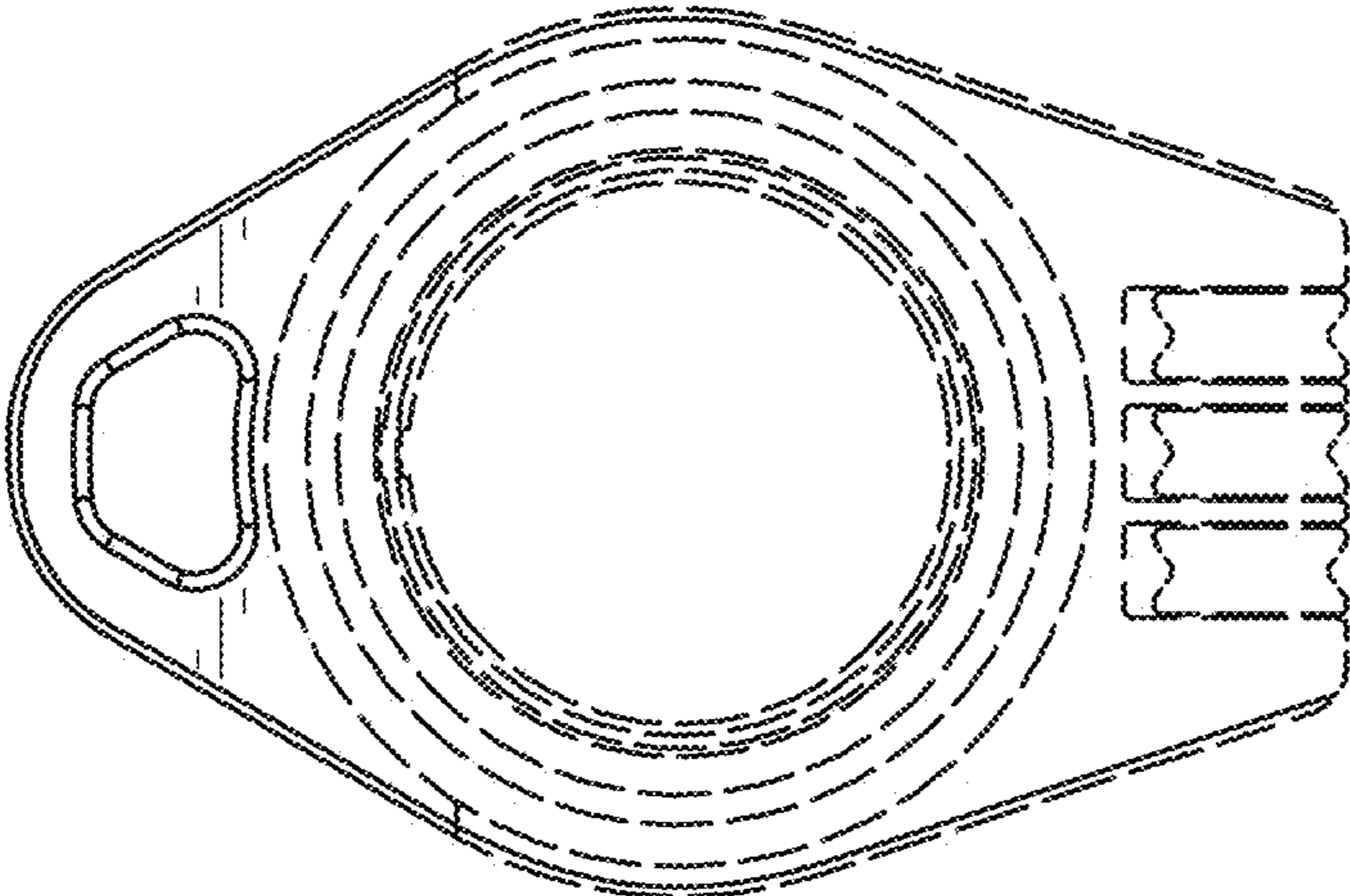


FIG. 6

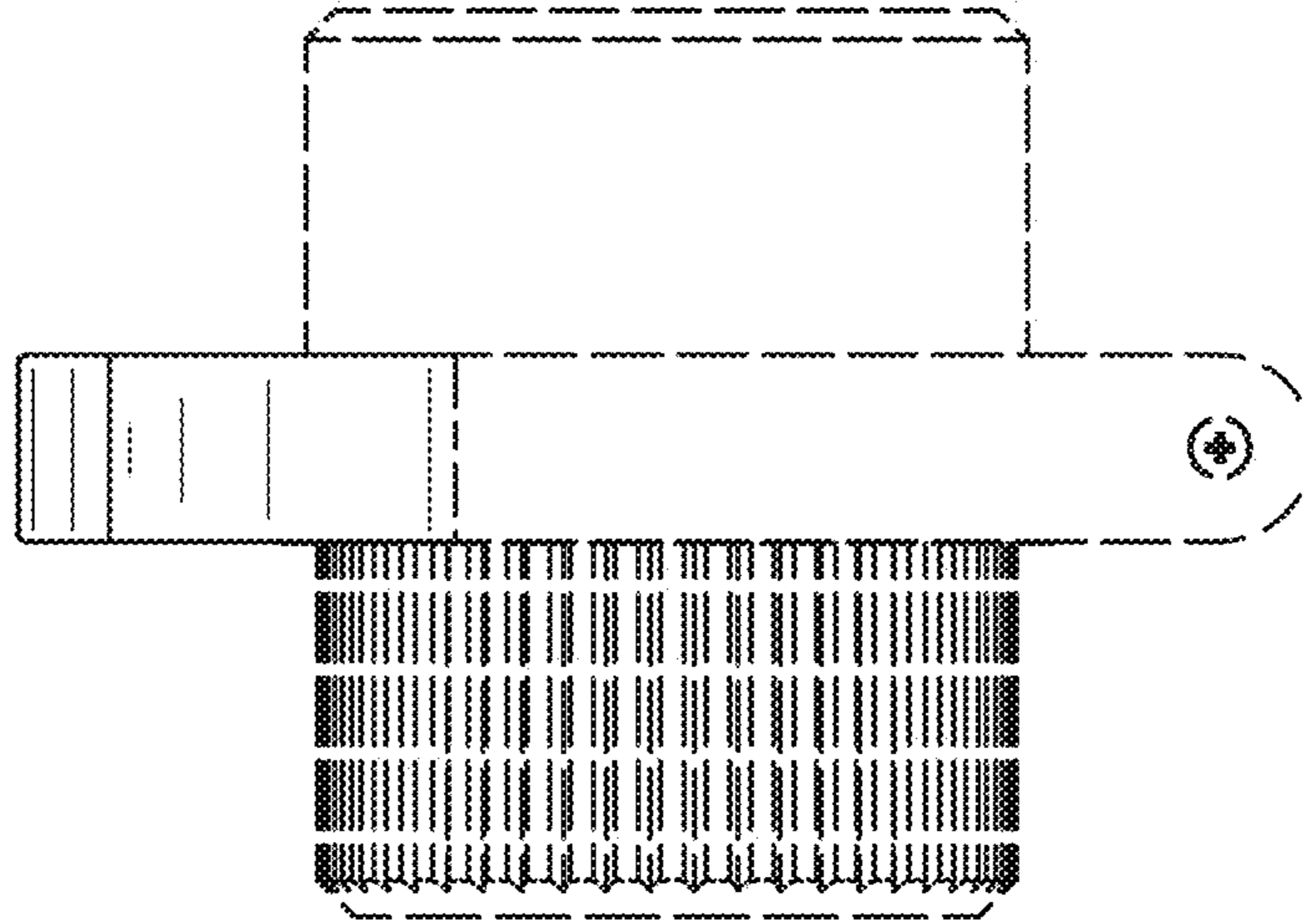


FIG. 7

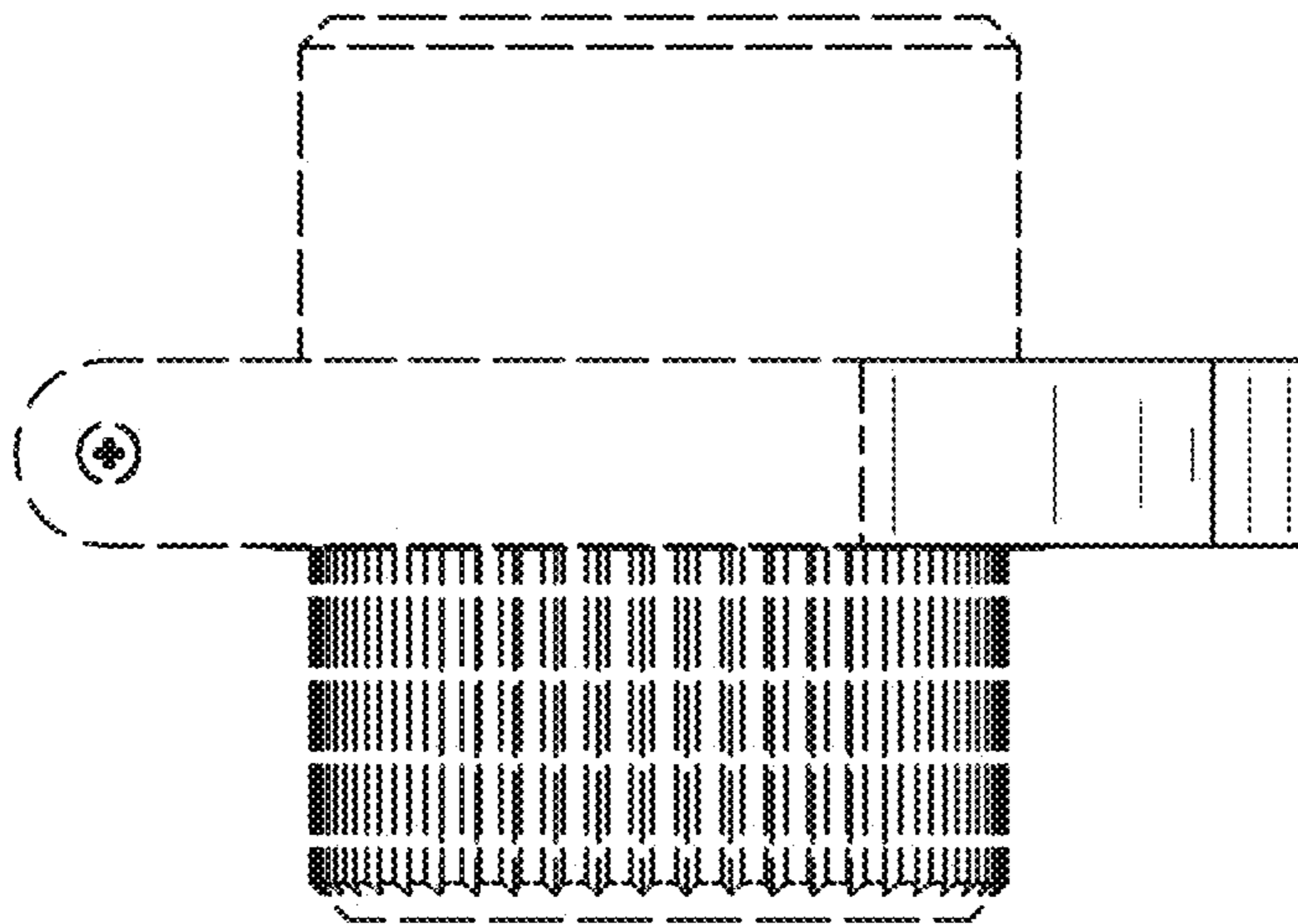


FIG. 8

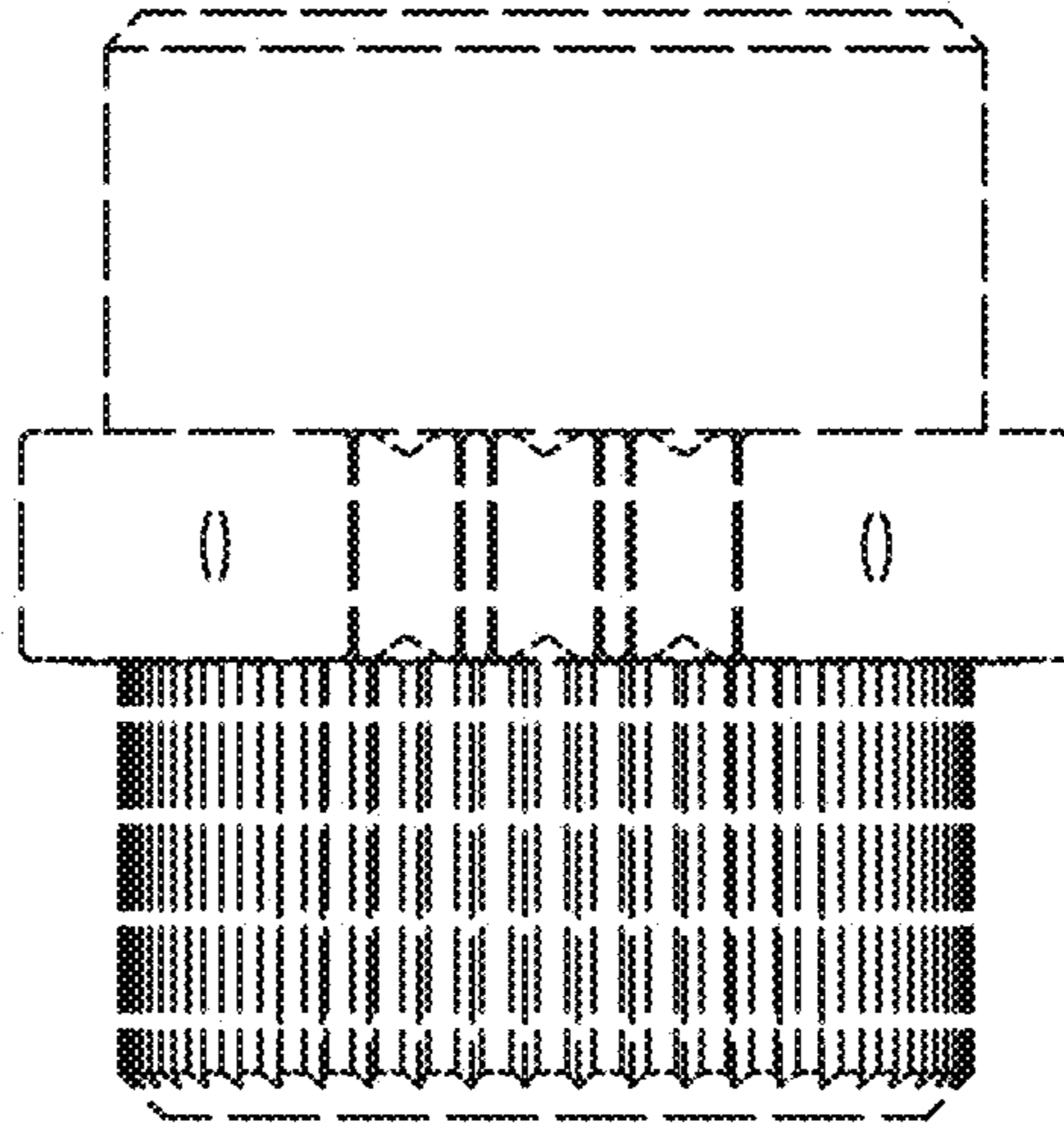


FIG. 9

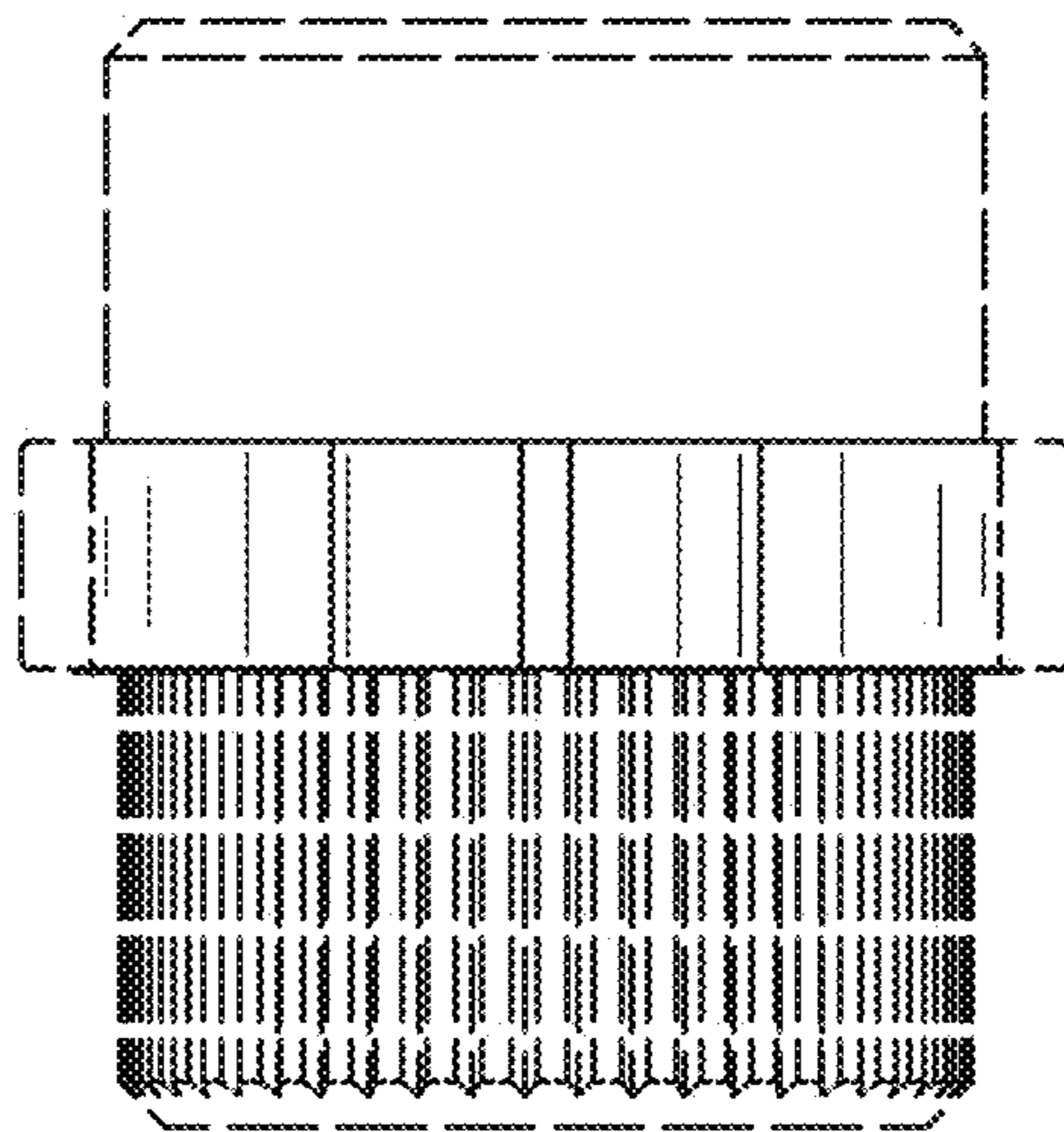


FIG. 10