



US00D910419S

(12) **United States Design Patent**
Cox et al.

(10) **Patent No.:** **US D910,419 S**

(45) **Date of Patent:** **** Feb. 16, 2021**

(54) **BRACKET FOR A SPARE TIRE MOUNT**

(71) Applicants: **Christopher Paul Cox**, West Jordan,
UT (US); **Michael Grant Owens**,
Herriman, UT (US)

(72) Inventors: **Christopher Paul Cox**, West Jordan,
UT (US); **Michael Grant Owens**,
Herriman, UT (US)

(73) Assignee: **MF IP Holding, LLC**, West Jordan, UT
(US)

(**) Term: **15 Years**

(21) Appl. No.: **29/668,288**

(22) Filed: **Oct. 29, 2018**

(51) **LOC (13) Cl.** **08-08**

(52) **U.S. Cl.**
USPC **D8/349**

(58) **Field of Classification Search**
USPC D8/323, 349
See application file for complete search history.

(56) **References Cited**

U.S. PATENT DOCUMENTS

D523,803 S * 6/2006 Smith D12/223
D650,774 S * 12/2011 Molter D14/239

D817,146 S * 5/2018 Weldon D8/323
D832,723 S * 11/2018 Dahill D10/64
D835,972 S * 12/2018 Patil F01N 3/2066
D8/354
D892,711 S * 8/2020 Xiong D12/420
D895,399 S * 9/2020 Ferreira D8/349

* cited by examiner

Primary Examiner — Cynthia R Underwood

(74) *Attorney, Agent, or Firm* — Christensen O'Connor
Johnson Kindness PLLC

(57) **CLAIM**

The ornamental design for a bracket for a spare tire mount,
as shown and described.

DESCRIPTION

FIG. 1 is a perspective view of a bracket for a spare tire
mount according to a representative embodiment of our new
design;

FIG. 2 is a front elevational view thereof;

FIG. 3 is a right side elevational view thereof;

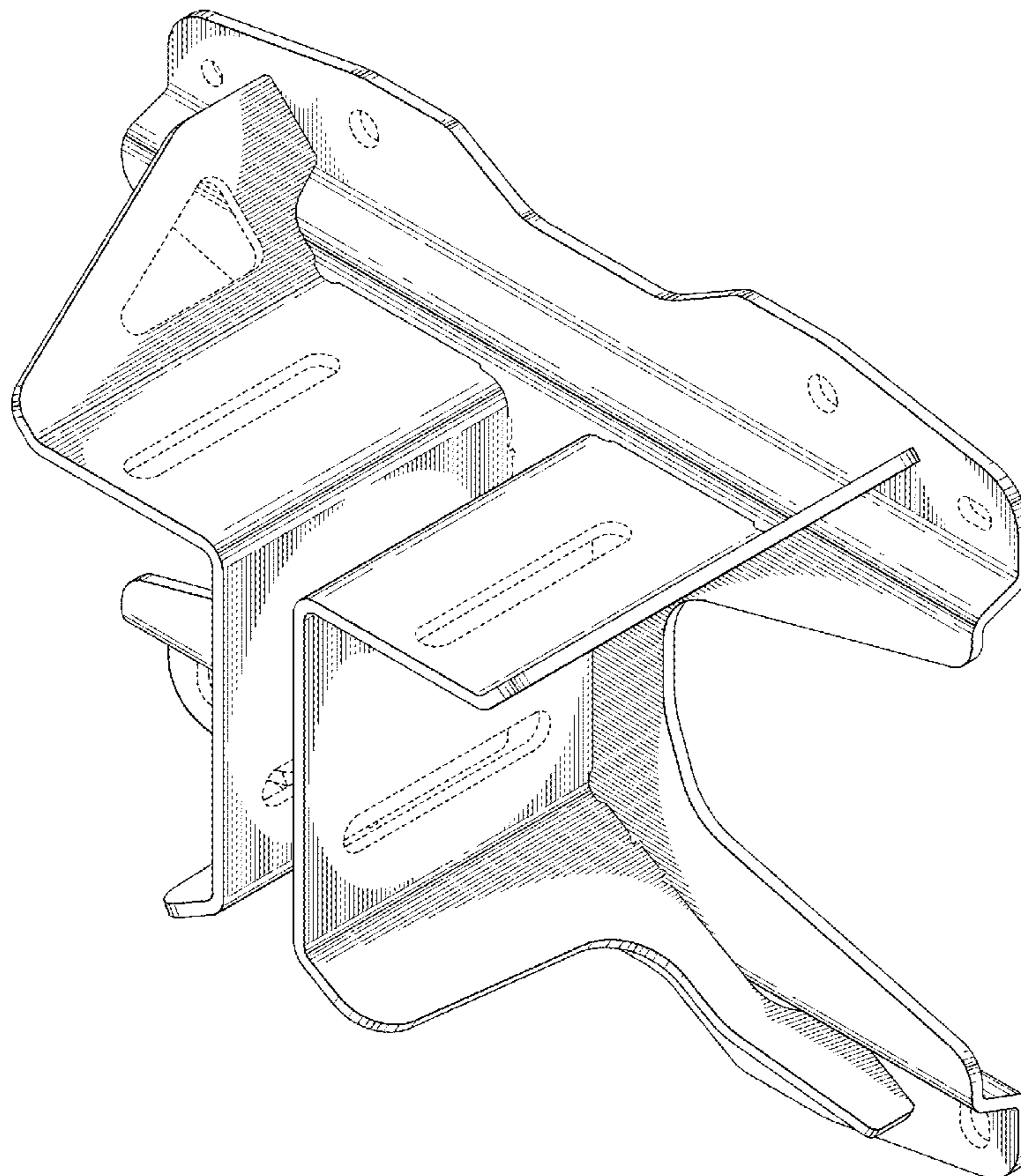
FIG. 4 is a left side elevational view thereof;

FIG. 5 is a top plan view thereof; and,

FIG. 6 is a bottom plan view thereof.

The broken lines show portions of a spare tire mount that
form no part of the claim.

1 Claim, 5 Drawing Sheets



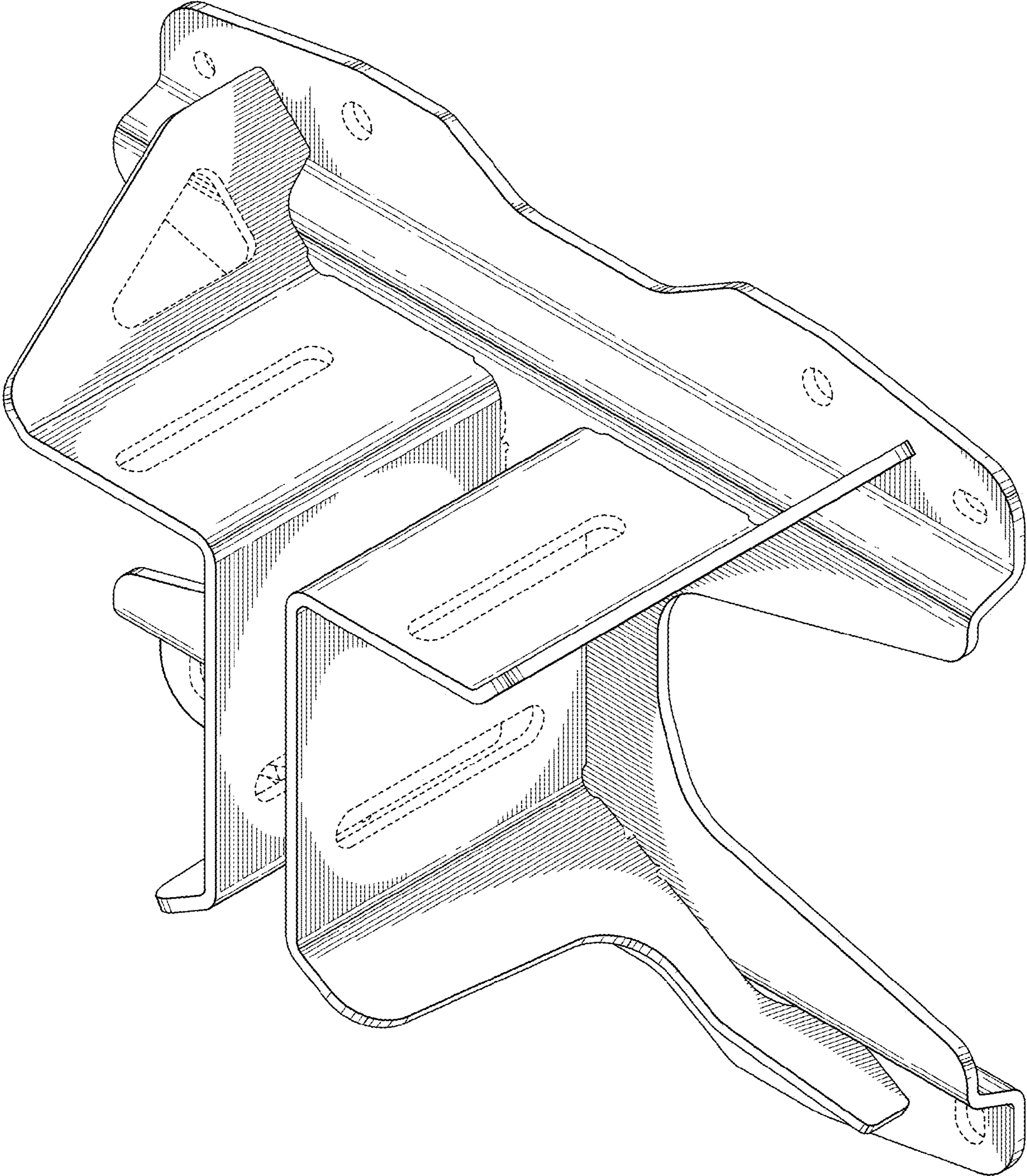


Fig. 1.

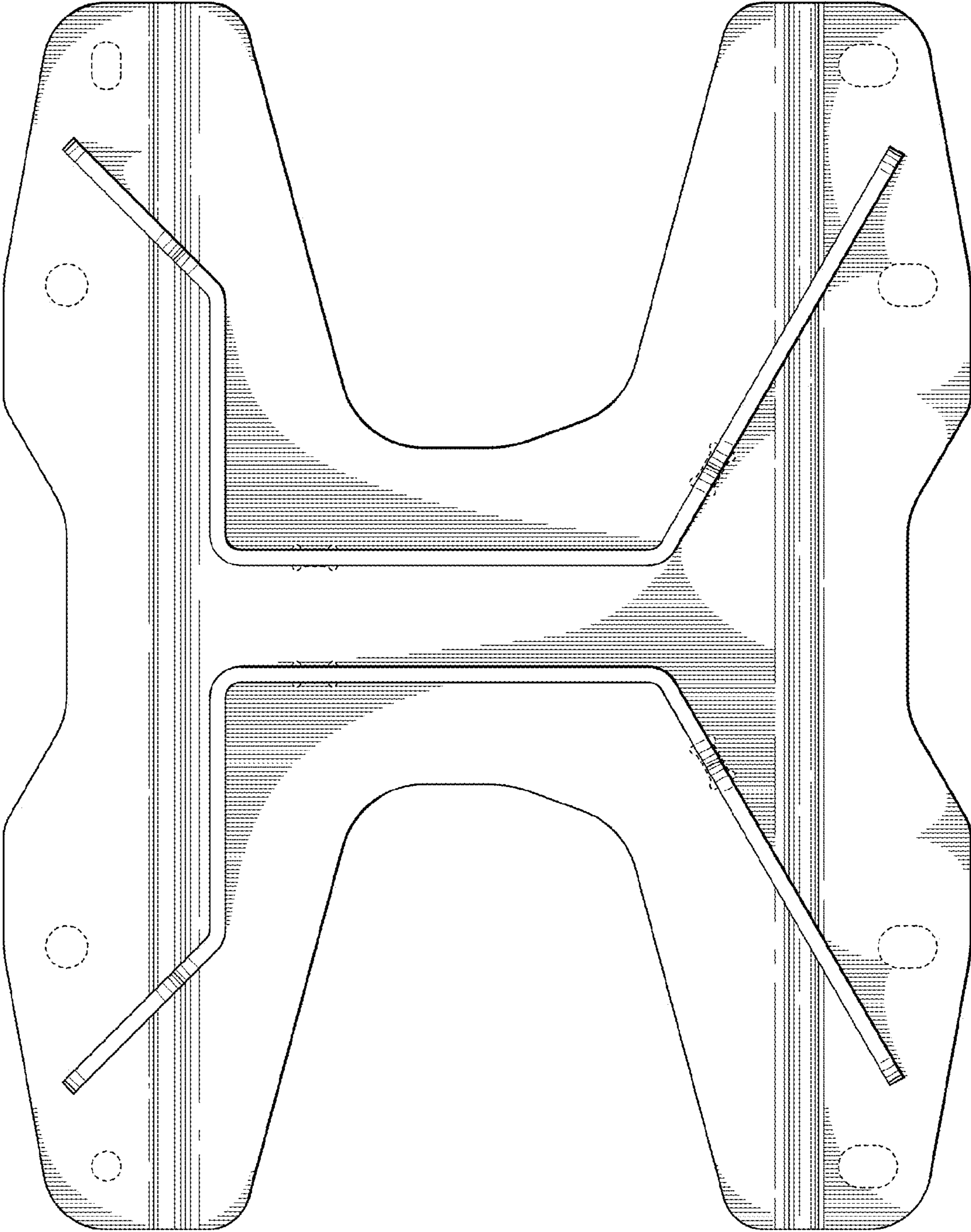


Fig. 2.

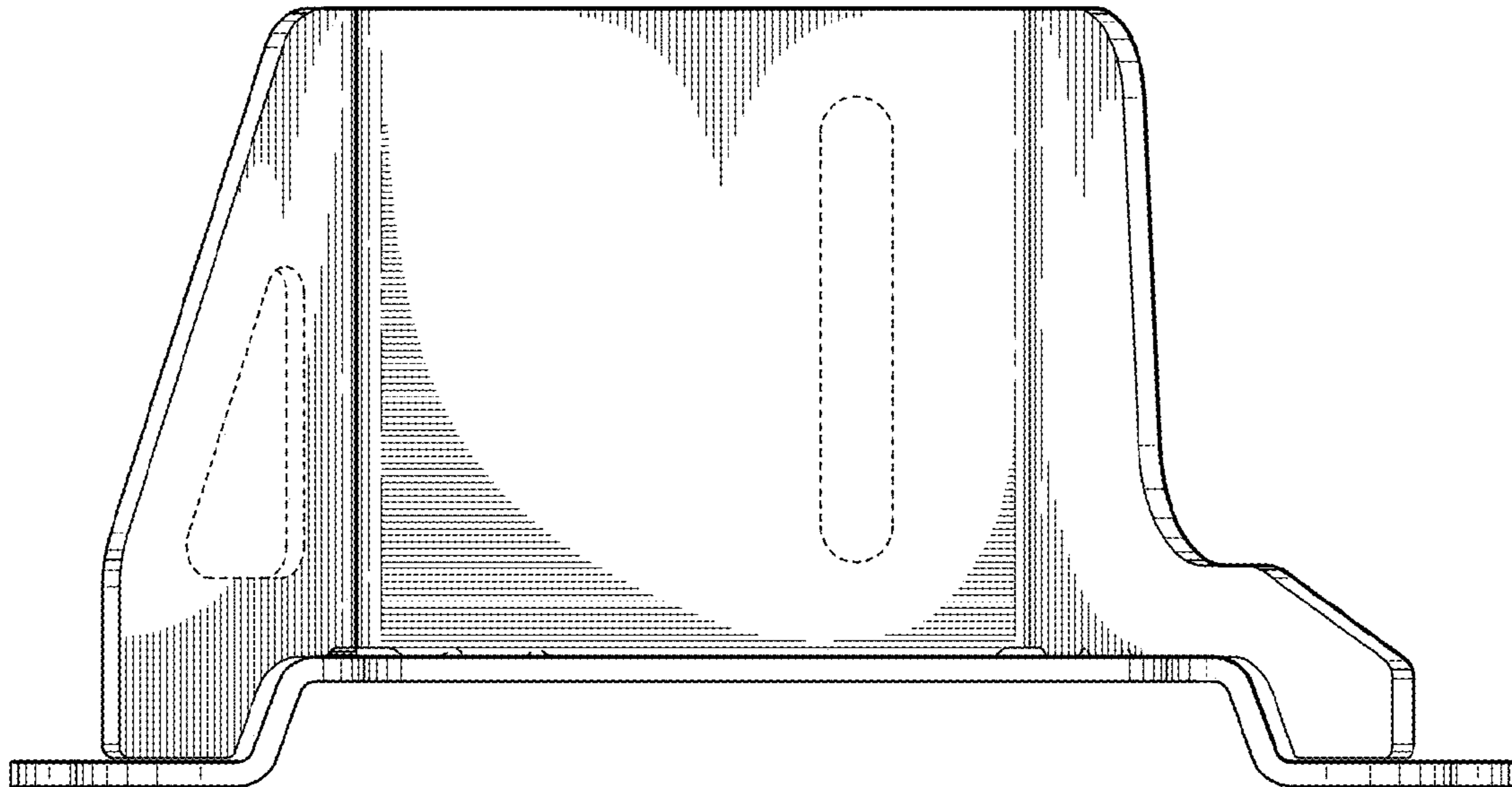


Fig. 4.

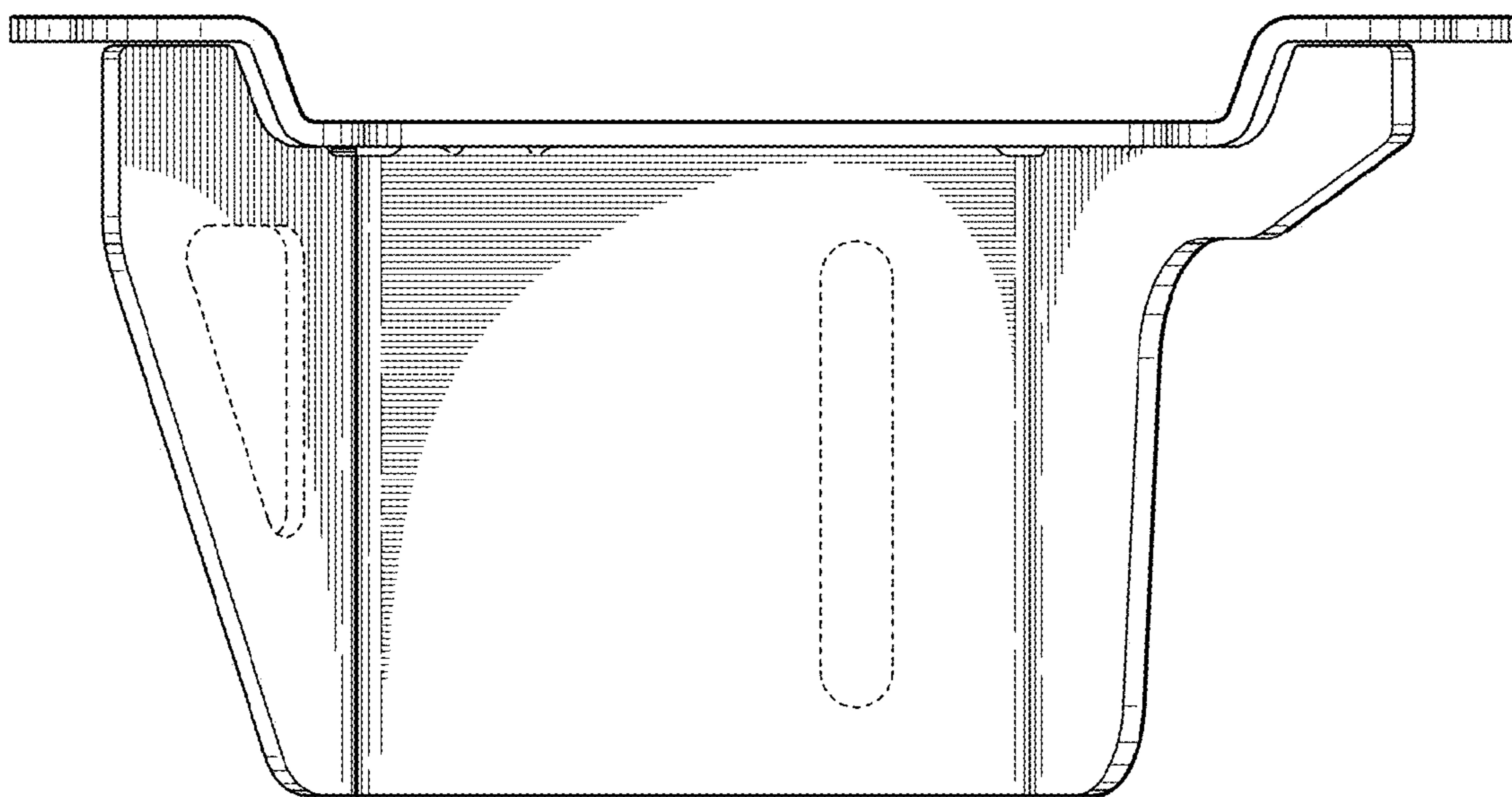


Fig. 3.

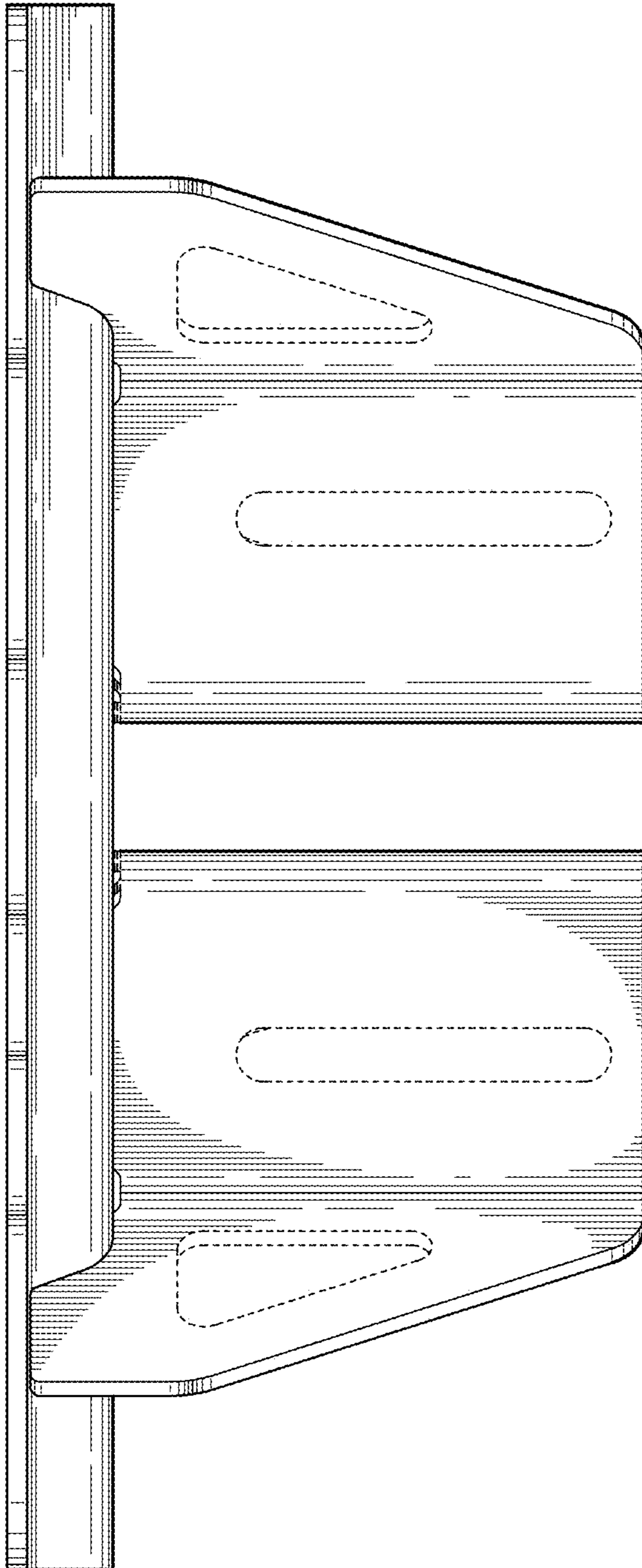


Fig. 5.

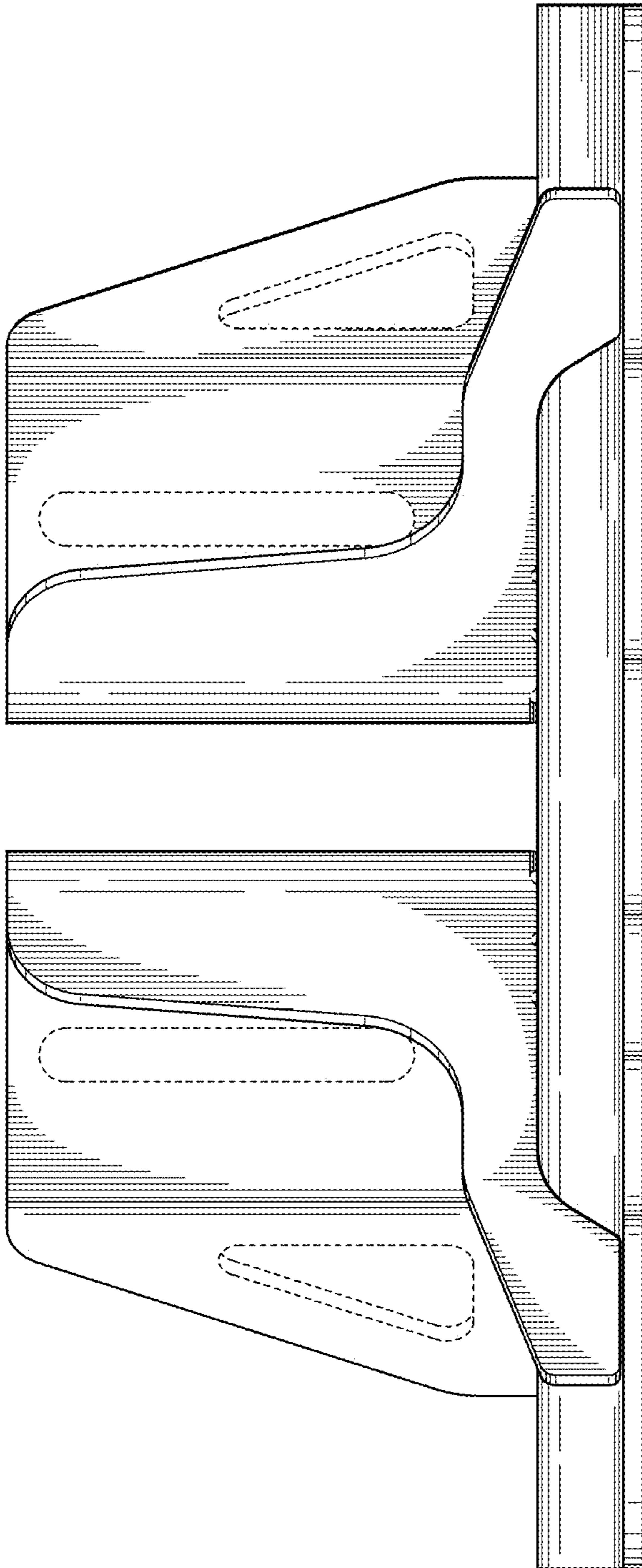


Fig. 6.