



US00D910414S

(12) **United States Design Patent** (10) **Patent No.:** **US D910,414 S**
Ashurov (45) **Date of Patent:** **** Feb. 16, 2021**

(54) **HANDLE**

(71) Applicant: **ALLSTAR MARKETING GROUP, LLP**, Hawthorne, NY (US)

(72) Inventor: **Aviator Ashurov**, East Brunswick, NJ (US)

(73) Assignee: **ALLSTAR MARKETING GROUP, LLC**, Hawthorne, NY (US)

(**) Term: **15 Years**

(21) Appl. No.: **29/704,591**

(22) Filed: **Sep. 5, 2019**

(51) **LOC (13) Cl.** **08-06**

(52) **U.S. Cl.**
USPC **D8/315**

(58) **Field of Classification Search**
USPC D8/315, 316, 317, 318, 319, 320;
D6/549; 15/235.5
CPC B25G 3/00
See application file for complete search history.

(56) **References Cited**

U.S. PATENT DOCUMENTS

D353,697 S	*	12/1994	Breen	D34/10
D448,647 S	*	10/2001	Goldsbury	D8/319
D452,130 S	*	12/2001	Richardson	D8/319
D467,784 S	*	12/2002	Maier	D8/301
D467,785 S	*	12/2002	Tsai	D8/319

D470,389 S	*	2/2003	Richardson	D8/319
D551,534 S	*	9/2007	Liang	D8/301
D705,573 S	*	5/2014	Goodman	D6/549
D718,605 S	*	12/2014	Yang	D8/315

* cited by examiner

Primary Examiner — Keli L Hill

Assistant Examiner — Harold E Blackwell, II

(74) *Attorney, Agent, or Firm* — Andrew F. Young, Esq.;
Nolte Lackenbach Siegel

(57) **CLAIM**

The ornamental design for a handle, as shown and described.

DESCRIPTION

FIG. 1 is a front top perspective view of a handle showing my new design.

FIG. 2 is a rear bottom perspective view thereof.

FIG. 3 is a right side elevation view thereof.

FIG. 4 is a left side elevation view thereof.

FIG. 5 is a front elevation view thereof.

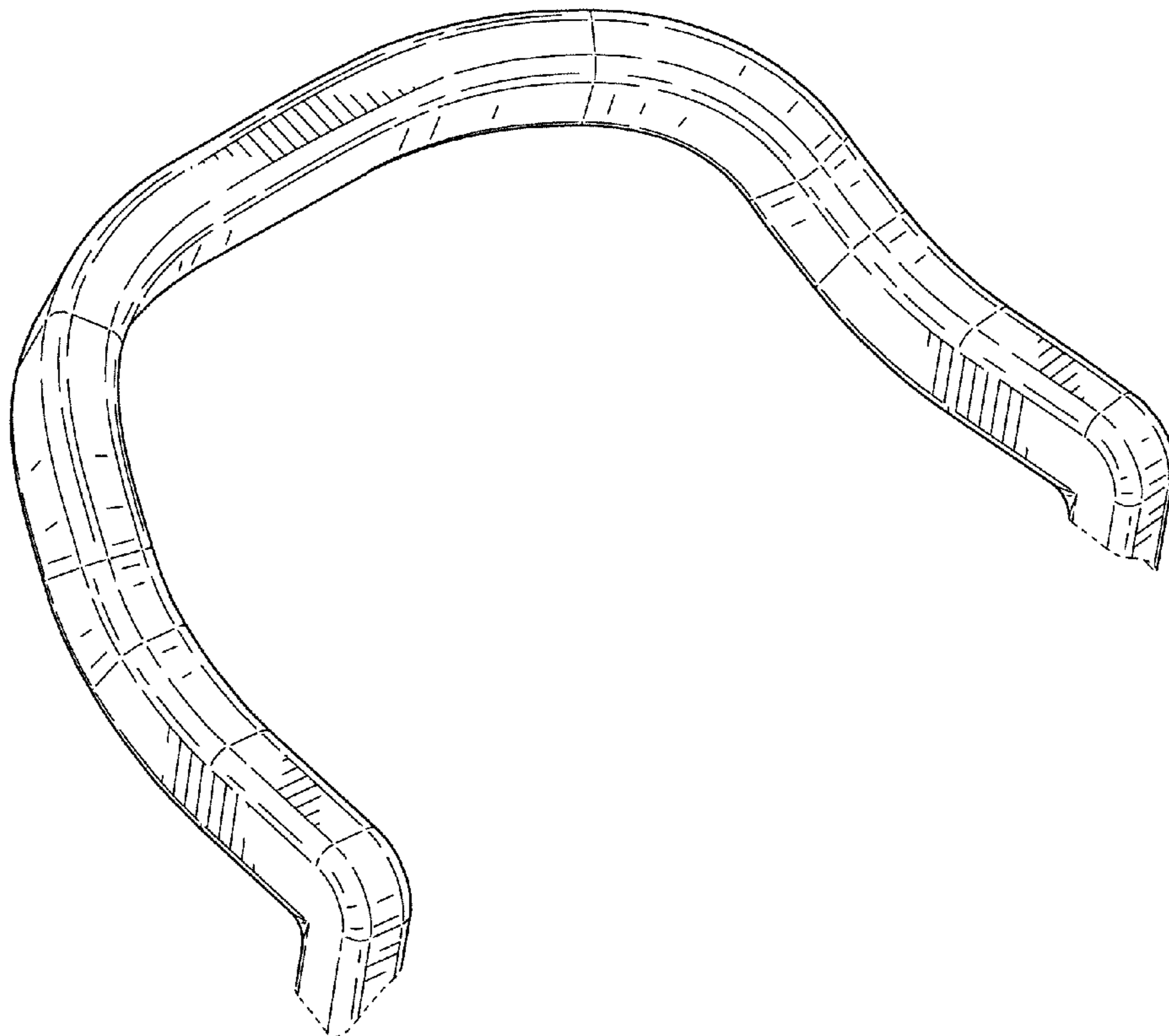
FIG. 6 is a rear elevation view thereof.

FIG. 7 is a top plan view thereof; and,

FIG. 8 is a bottom plan view thereof.

The dash-dash lines demark the boundary of disclaimed portions that form no part of the claimed design. No claim is made to portions that are not shown.

1 Claim, 6 Drawing Sheets



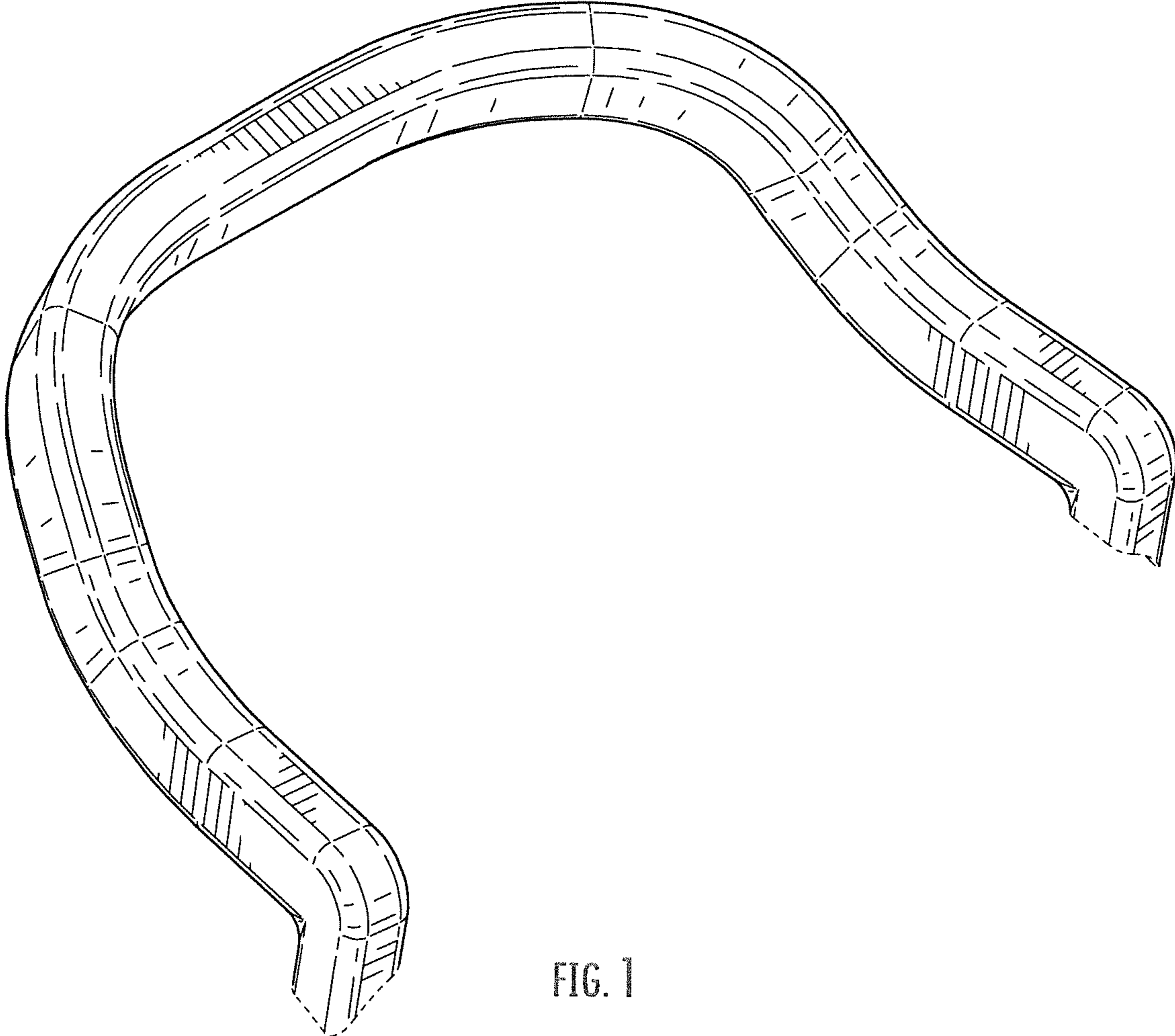


FIG. 1

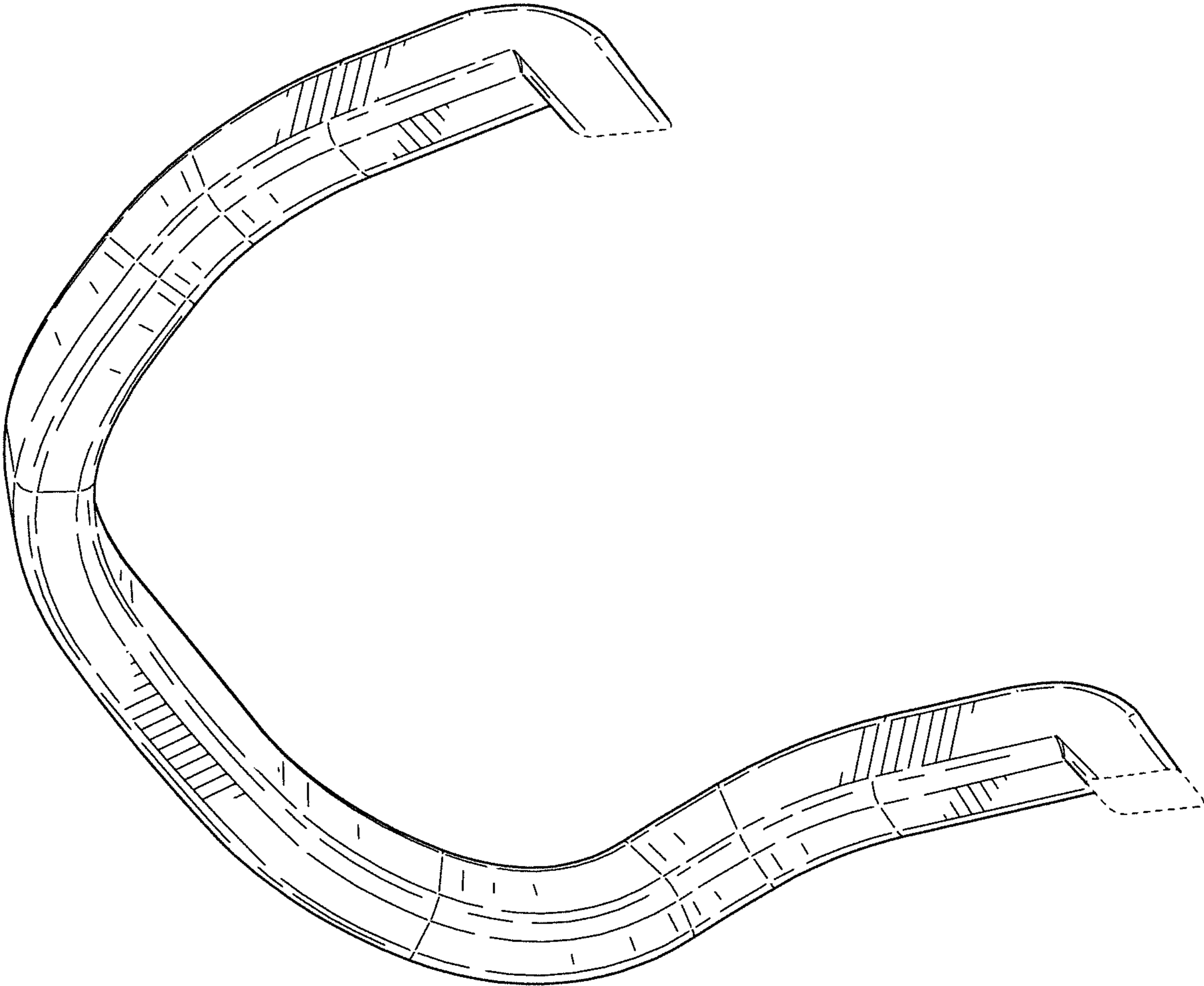


FIG. 2

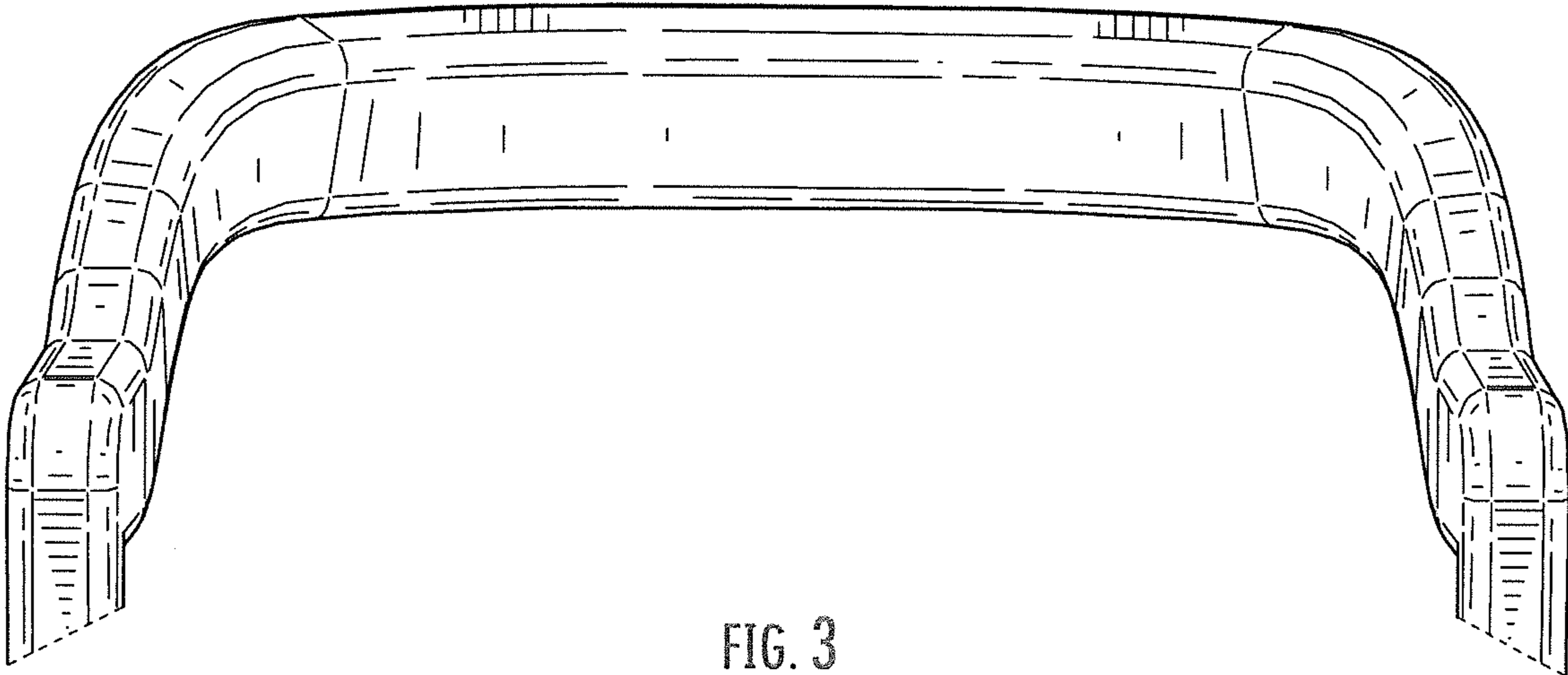


FIG. 3

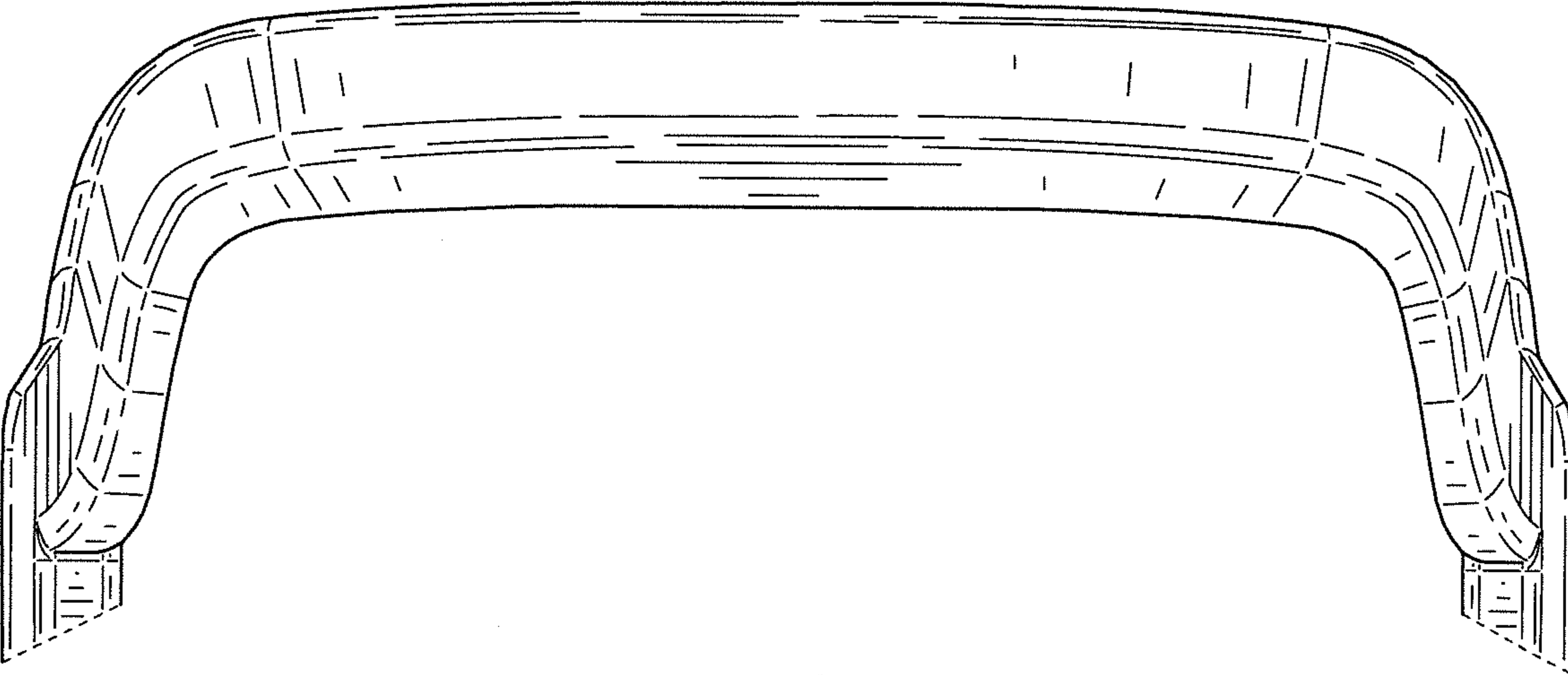


FIG. 4

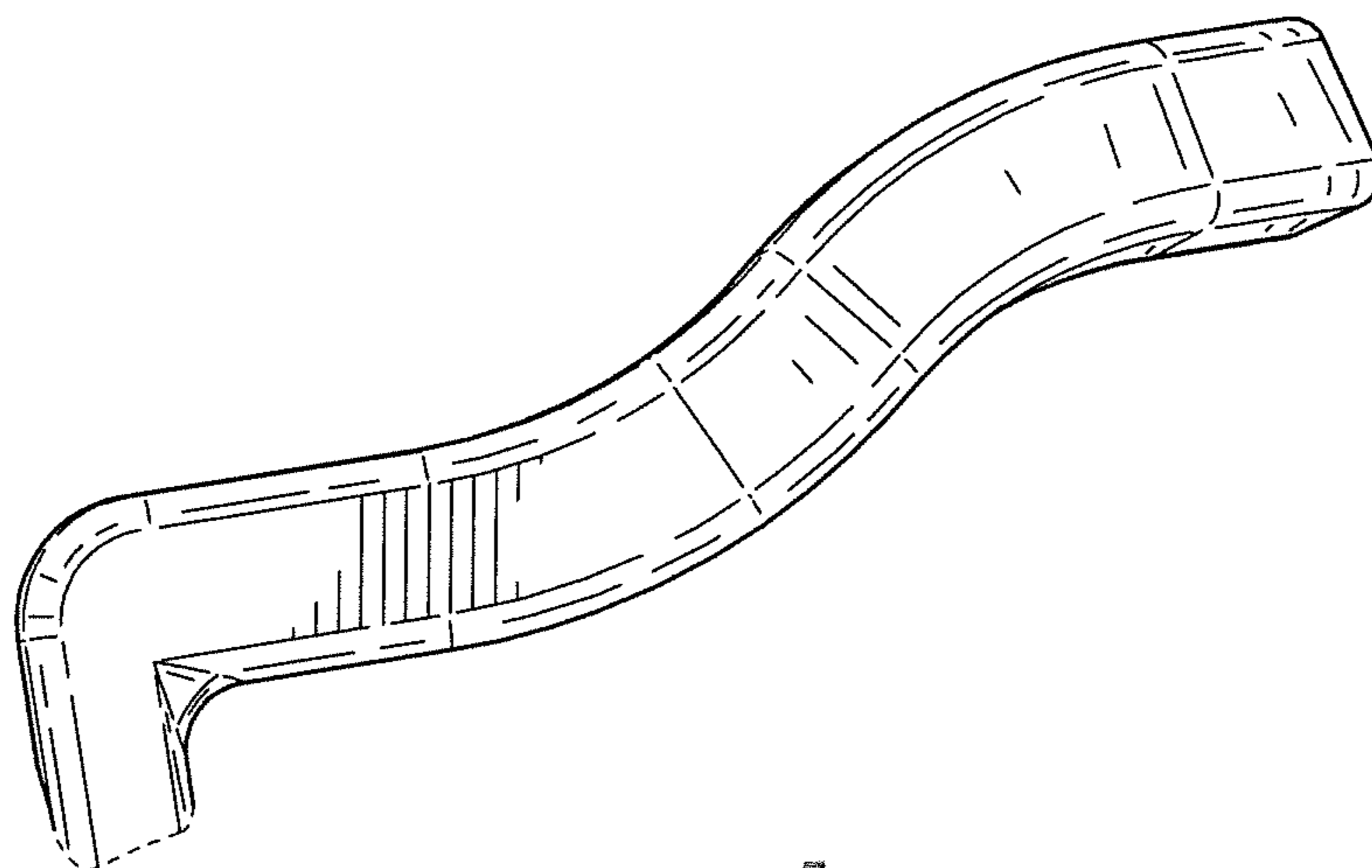


FIG. 5

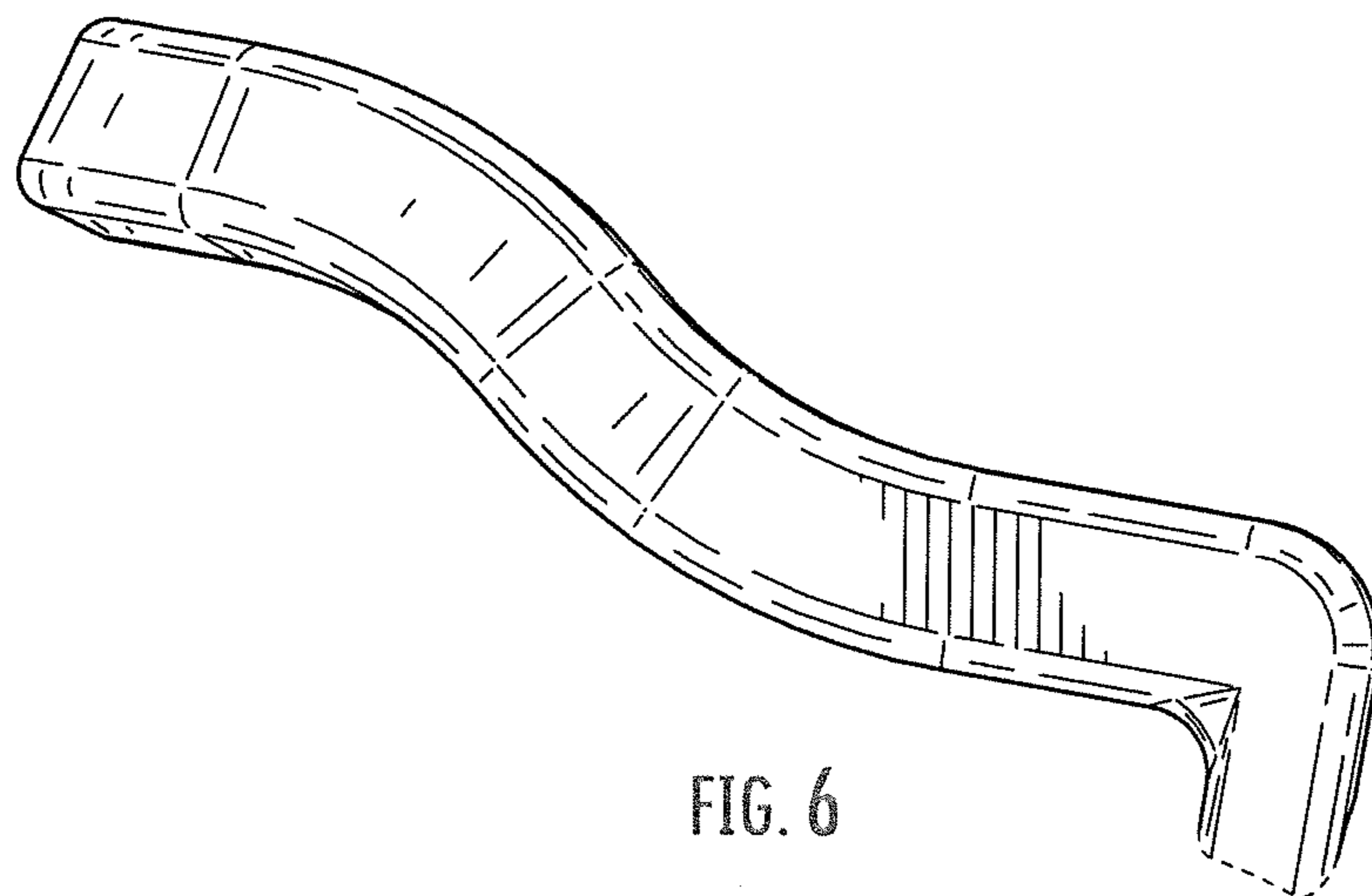


FIG. 6

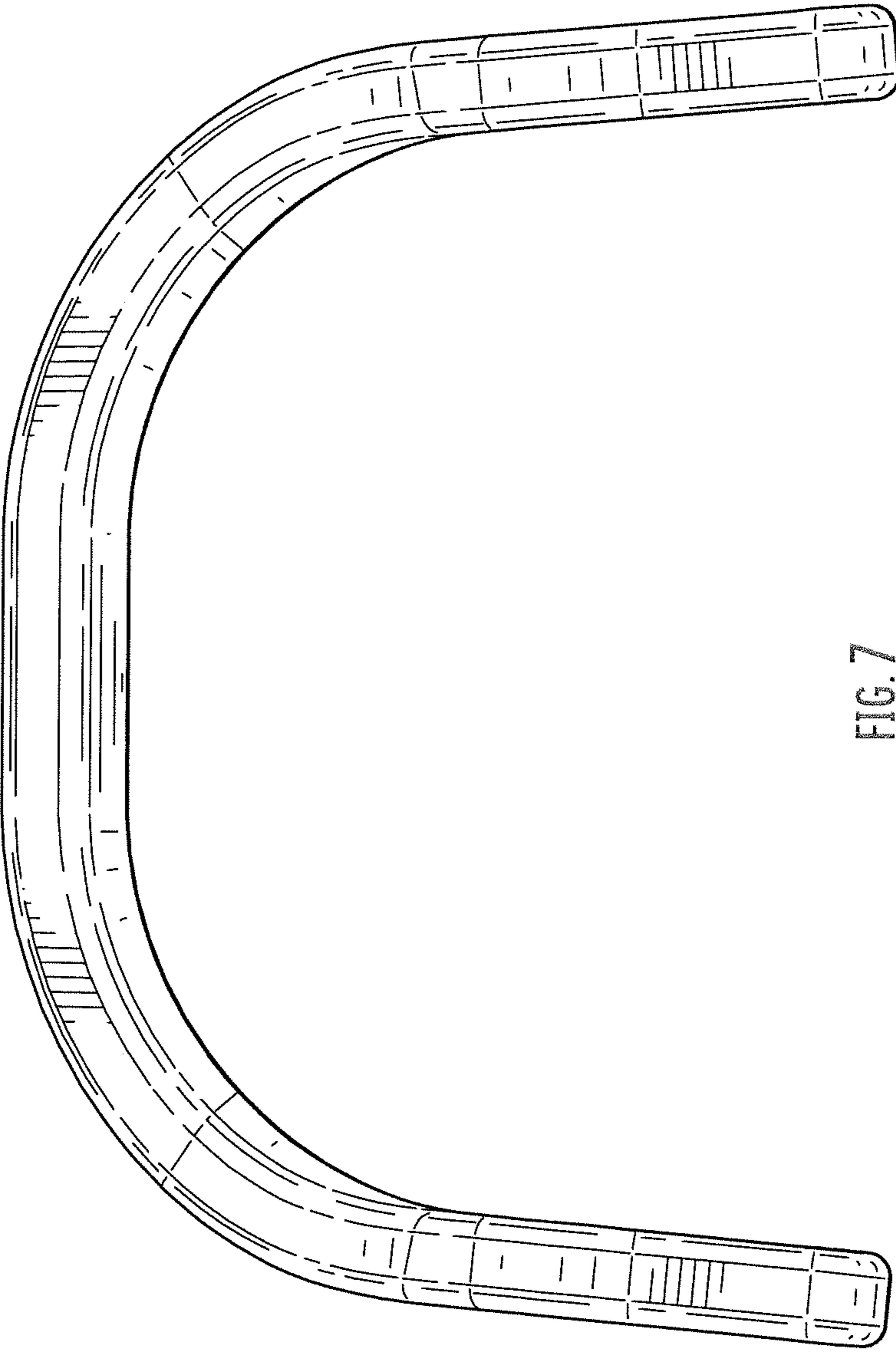


FIG. 7

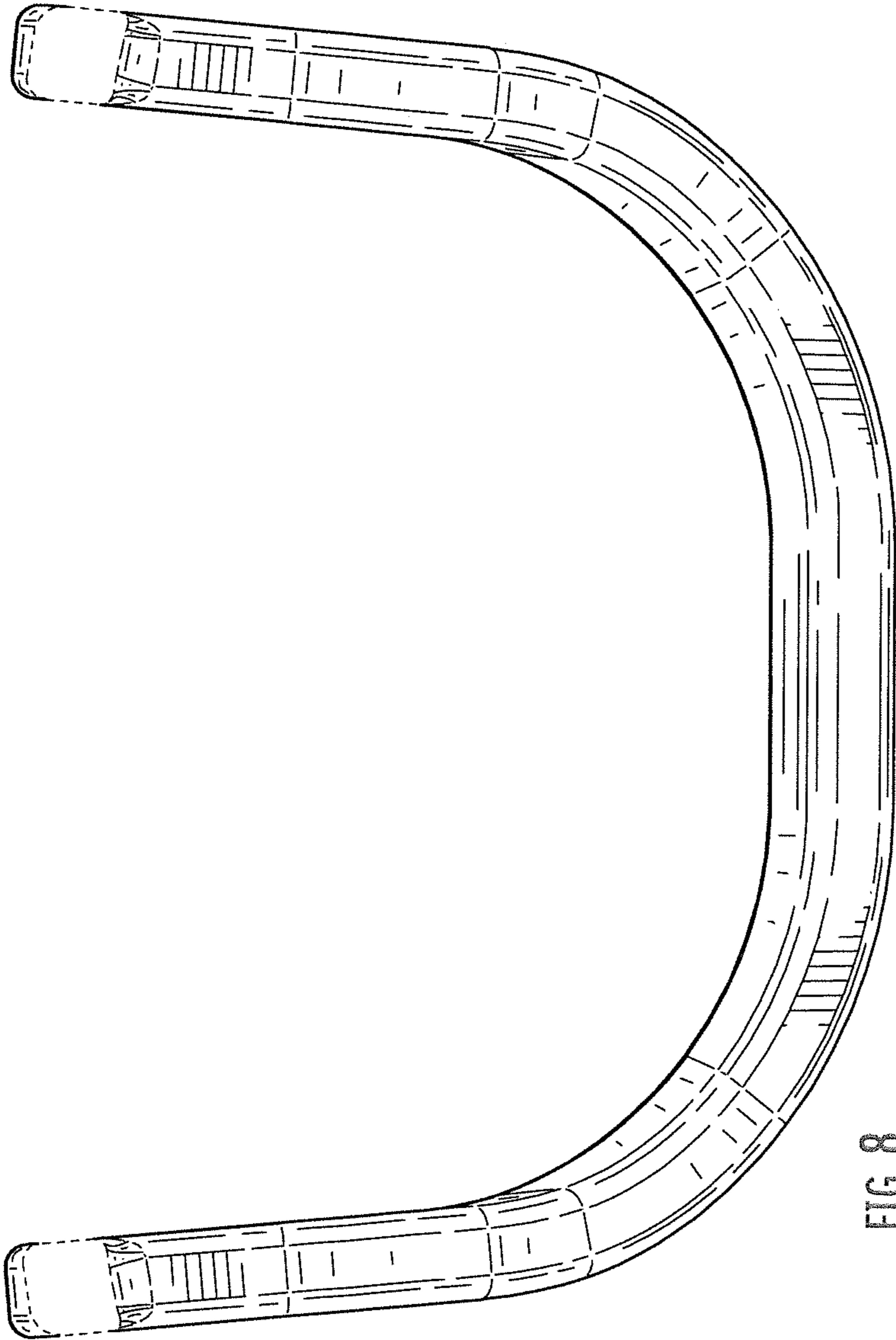


FIG. 8