



US00D910409S

(12) **United States Design Patent** (10) **Patent No.:** **US D910,409 S**  
**Kukucka et al.** (45) **Date of Patent:** **\*\* Feb. 16, 2021**

(54) **TOOL BIT**

(71) Applicant: **GRIP HOLDINGS LLC**, Brandon, FL (US)

(72) Inventors: **Paul Kukucka**, Brandon, FL (US);  
**Thomas Stefan Kukucka**, Brandon, FL (US)

(73) Assignee: **GRIP HOLDINGS LLC**, Brandon, FL (US)

(\*\*) Term: **15 Years**

(21) Appl. No.: **29/711,339**

(22) Filed: **Oct. 30, 2019**

**Related U.S. Application Data**

(63) Continuation-in-part of application No. 16/107,842, filed on Aug. 21, 2018, now Pat. No. 10,780,556, which is a continuation-in-part of application No. 14/701,482, filed on Apr. 30, 2015, now abandoned, said application No. 16/107,842 is a continuation-in-part of application No. 15/601,864, filed on May 22, 2017, now abandoned, said application No. 29/711,339 is a continuation-in-part of application No. 29/711,246, filed on Oct. 29, 2019, now Pat. No. Des. 879,577, which is a continuation-in-part of application No. 16/107,842, filed on Aug. 21, 2018, now Pat. No. 10,780,556.

(51) **LOC (13) Cl.** ..... **08-04**

(52) **U.S. Cl.**  
USPC ..... **D8/86**

(58) **Field of Classification Search**  
USPC ..... D8/70, 82, 86, 87; D15/139  
CPC ..... B25B 15/00; B25B 15/001; B25B 15/005;  
B25B 15/007; B25B 15/02; B23K  
20/1255

See application file for complete search history.

(56) **References Cited**

U.S. PATENT DOCUMENTS

7,225,710	B2 *	6/2007	Pacheco, Jr. ....	B25B 13/065
				411/403
8,291,795	B2 *	10/2012	Hughes .....	F16B 23/0038
				81/460
8,448,547	B2 *	5/2013	Whitehead .....	B25B 15/005
				81/53.2
D714,122	S	9/2014	Lin	
D776,505	S	1/2017	Doroslovac	
D794,409	S	8/2017	Anderson et al.	
D829,069	S	9/2018	Doroslovac et al.	
10,081,094	B2	9/2018	Doroslovac et al.	
D859,944	S	9/2019	Kukucka et al.	
D879,577	S *	3/2020	Kukucka .....	D8/86
D880,968	S *	4/2020	Kukucka .....	D8/86

(Continued)

FOREIGN PATENT DOCUMENTS

WO	WO 2018/150360	8/2018
WO	WO 2018/172831	9/2018

*Primary Examiner* — Philip S Hyder

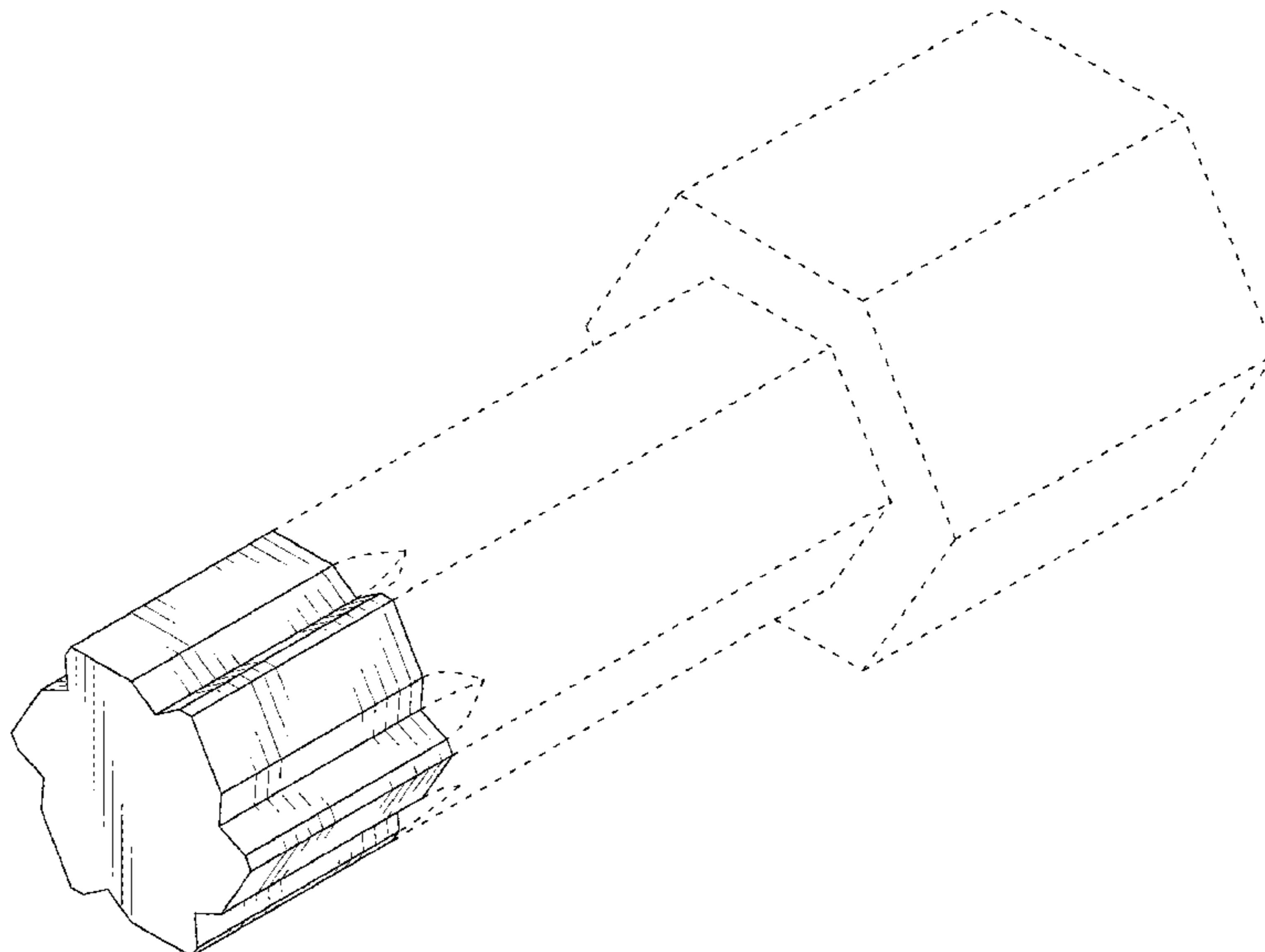
(57) **CLAIM**

The ornamental design for tool bit, as shown and described.

**DESCRIPTION**

FIG. 1 is a top perspective view of a tool bit showing my new design;  
FIG. 2 is a bottom perspective view thereof;  
FIG. 3 is a front elevated view thereof;  
FIG. 4 is a rear elevated view thereof;  
FIG. 5 is a top plan view thereof;  
FIG. 6 is a bottom plan view thereof;  
FIG. 7 is a right elevated view thereof; and,  
FIG. 8 is a left elevated view thereof.  
The broken lines depict a portion of the tool bit in which the design is embodied that is not considered part of the claimed design.

**1 Claim, 8 Drawing Sheets**



(56)

**References Cited**

U.S. PATENT DOCUMENTS

D887,809 S \* 6/2020 Su ..... D8/86  
D888,526 S \* 6/2020 Schulz ..... D8/86  
2015/0266169 A1\* 9/2015 Campbell, II ..... B21K 1/463  
81/436  
2016/0223005 A1\* 8/2016 Rathmann ..... F16B 41/005  
2017/0282337 A1\* 10/2017 Johnson ..... B25B 15/008  
2018/0354102 A1 12/2018 Kukucka et al.  
2019/0152033 A1 5/2019 Kukucka et al.  
2020/0039034 A1\* 2/2020 Kukucka ..... B25B 15/005

\* cited by examiner

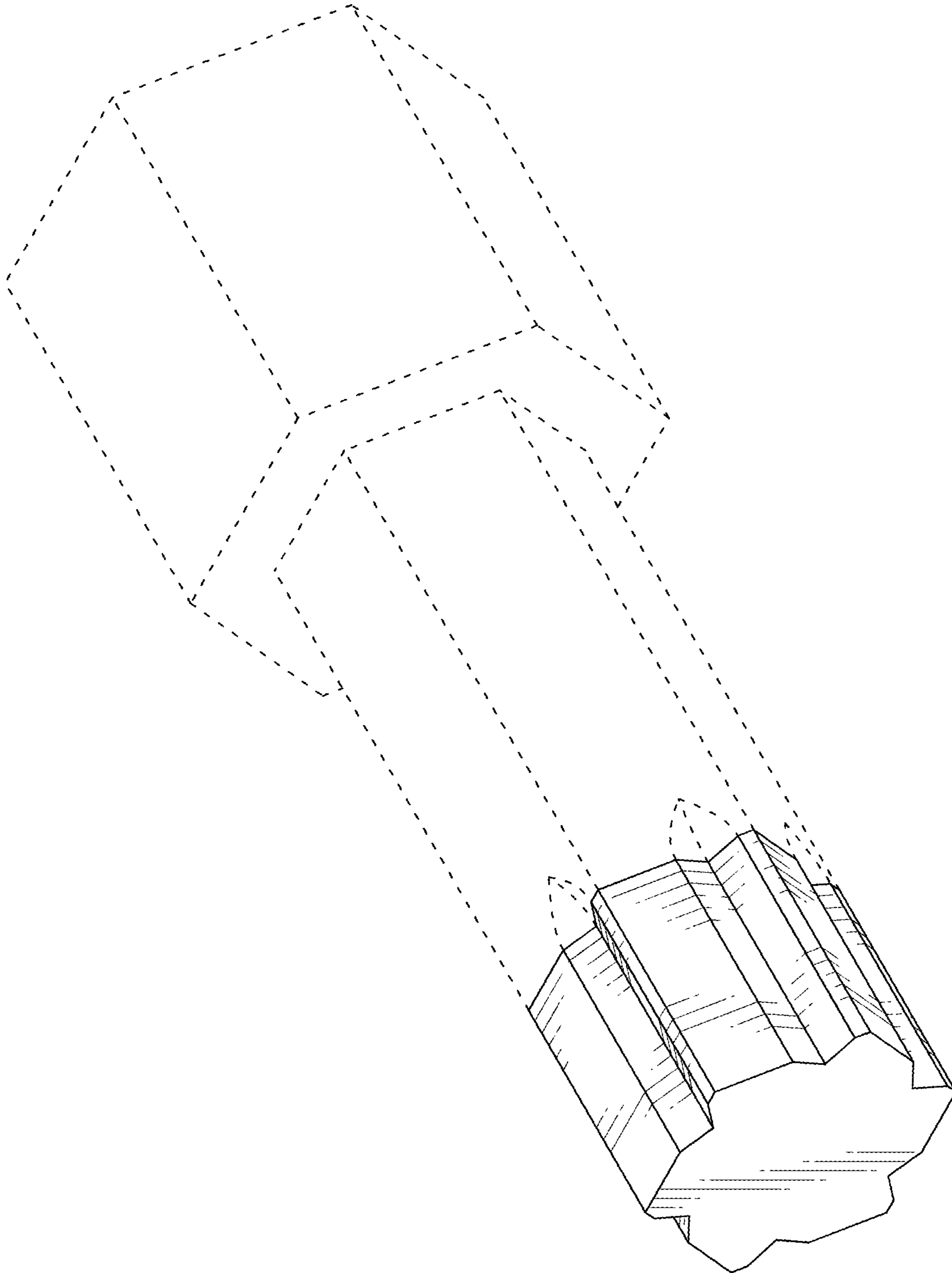


FIG. 1

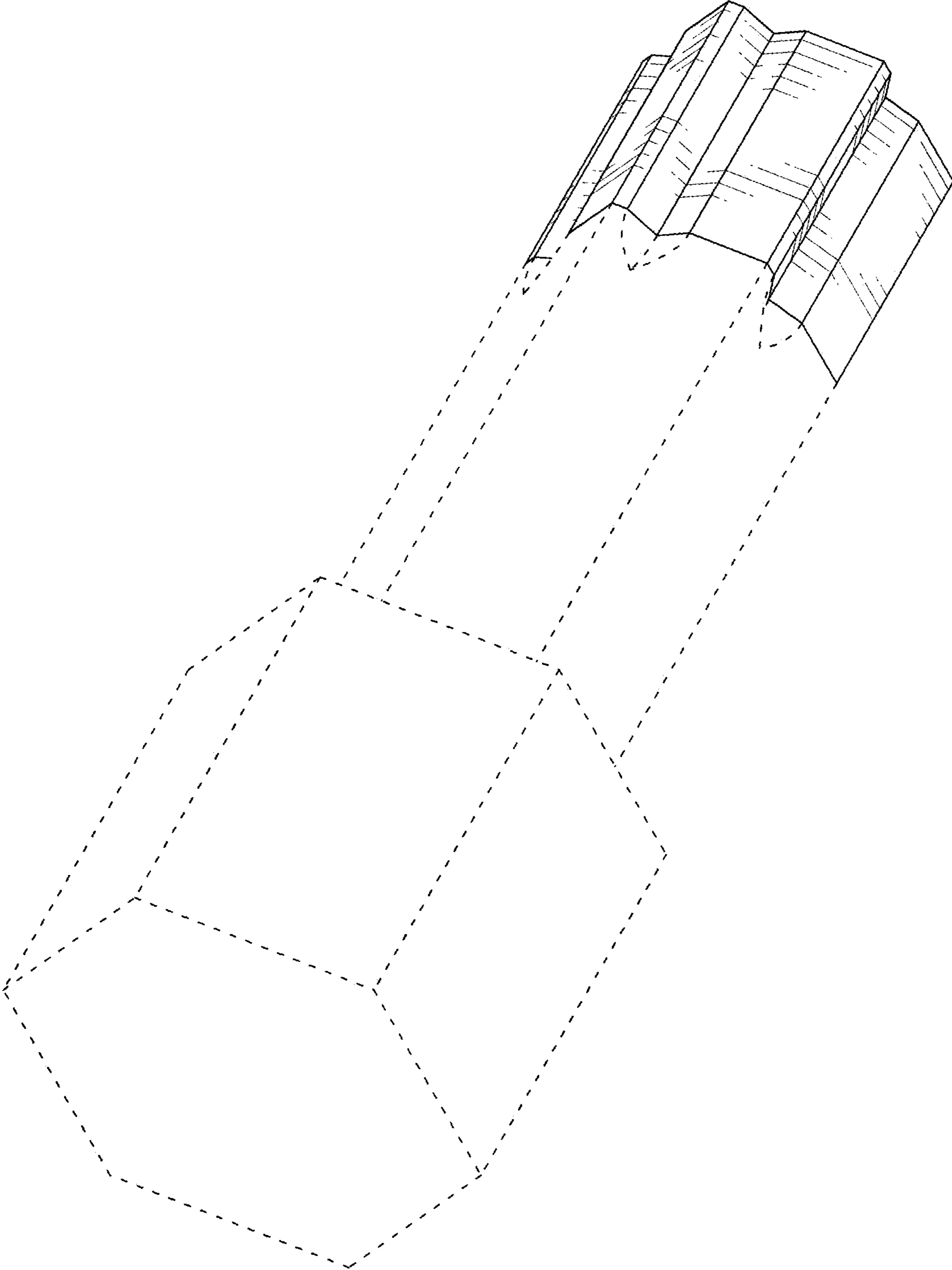


FIG. 2

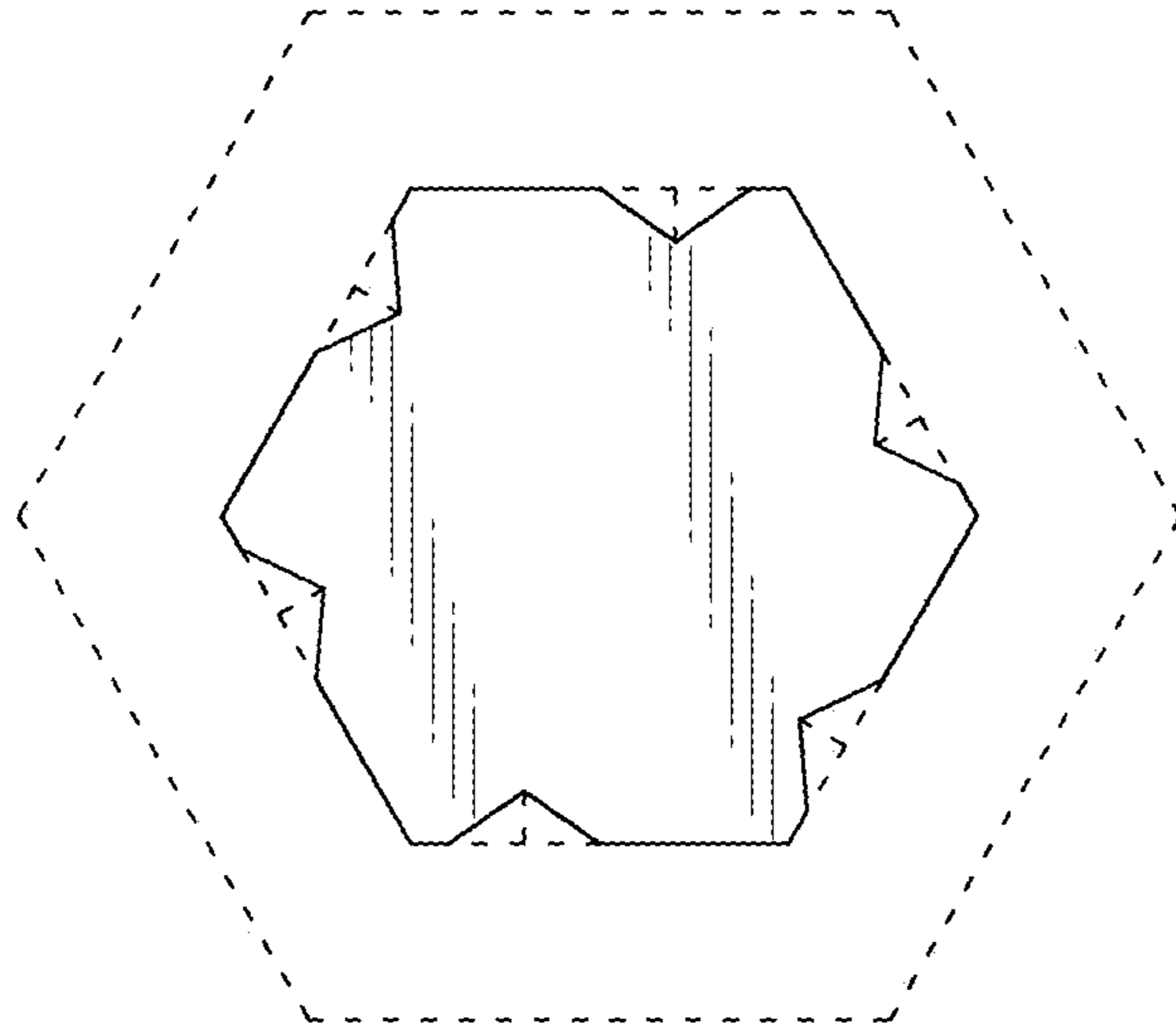


FIG. 3

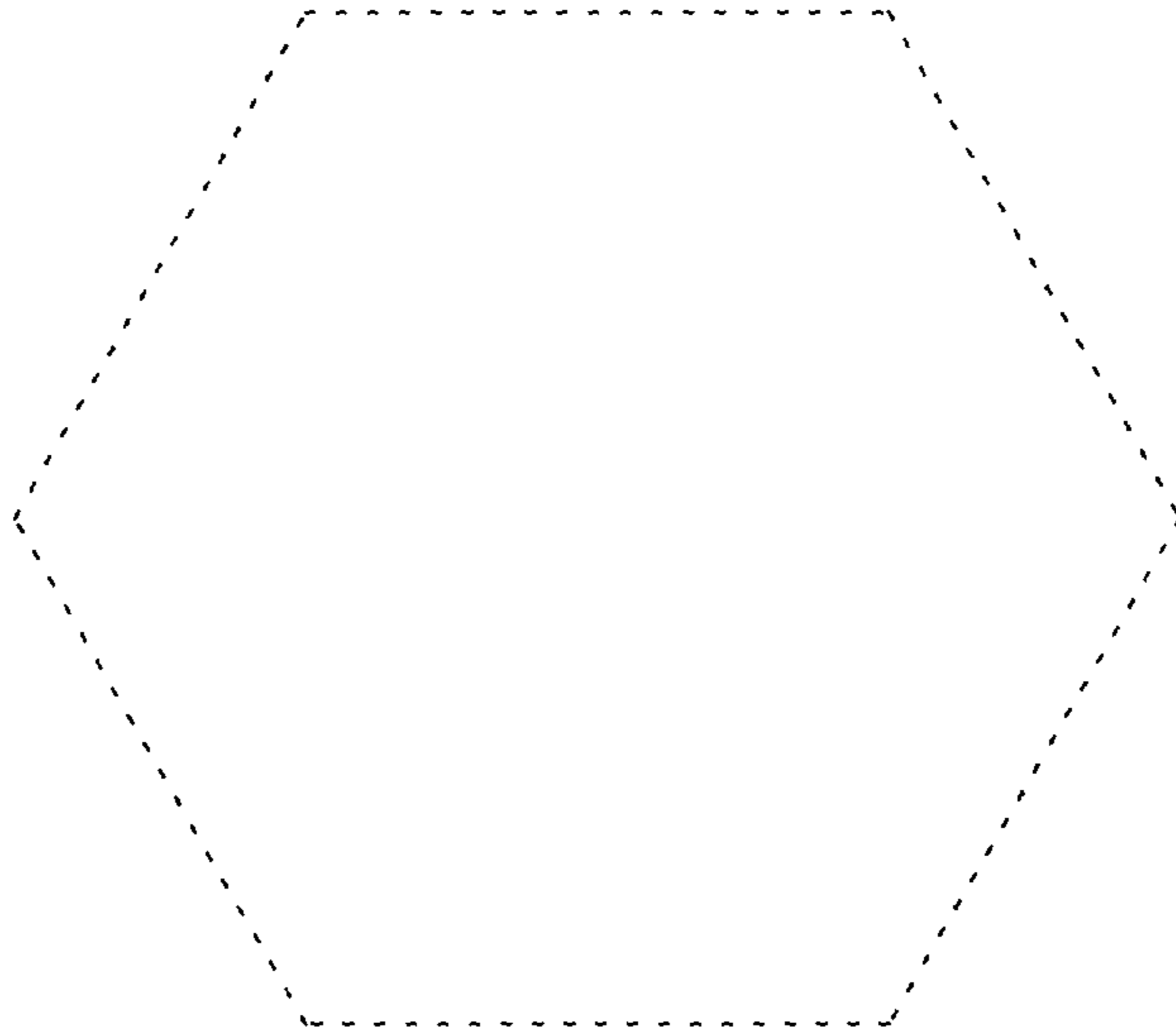


FIG. 4

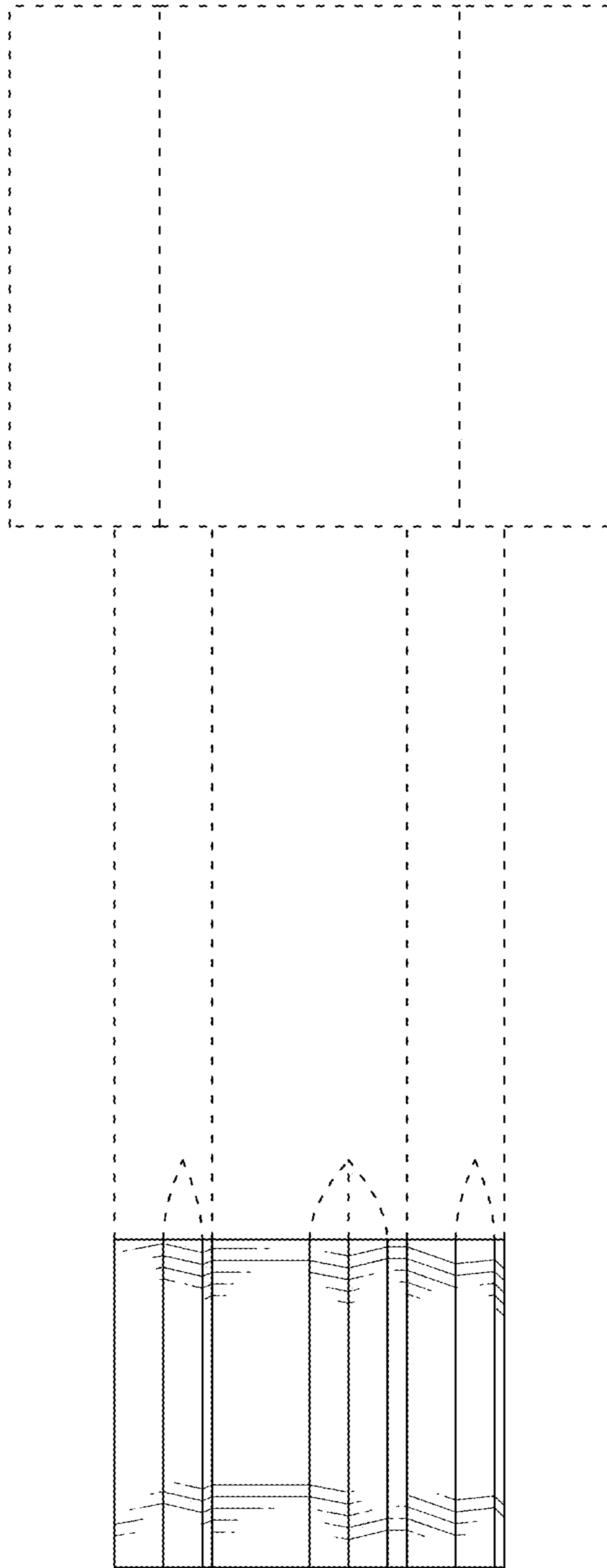


FIG. 5

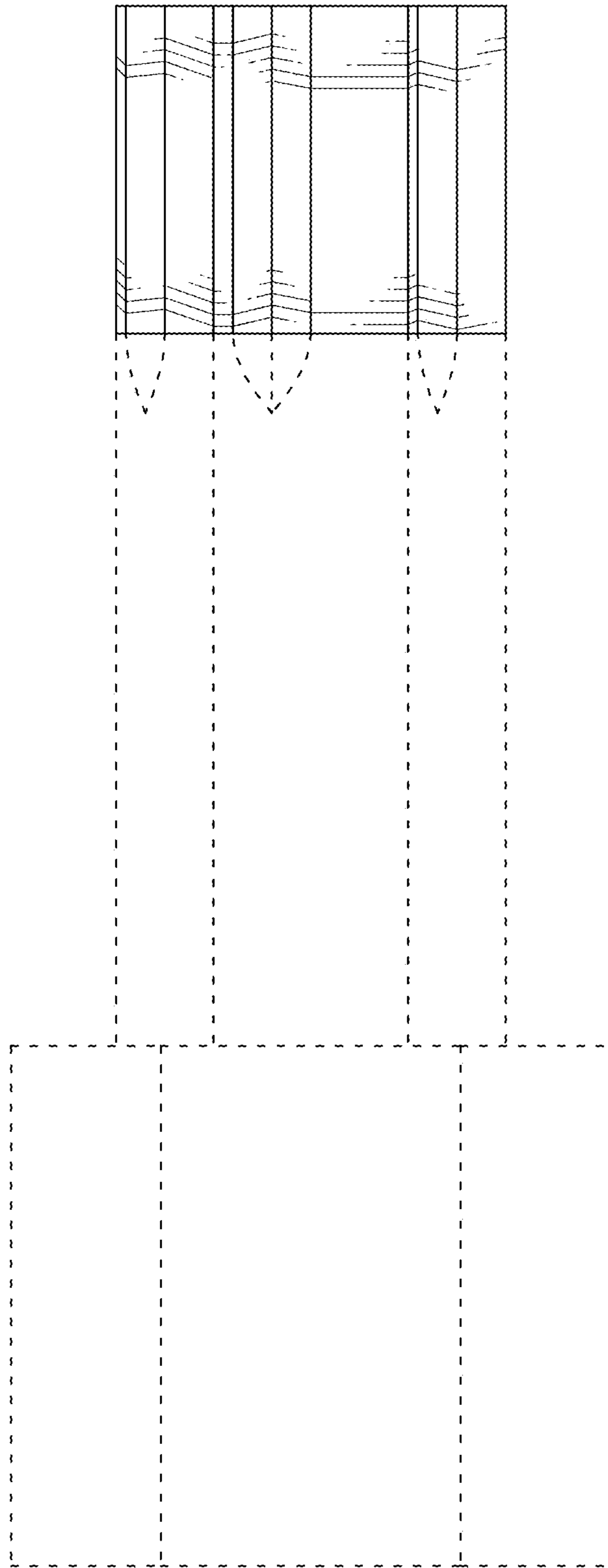


FIG. 6



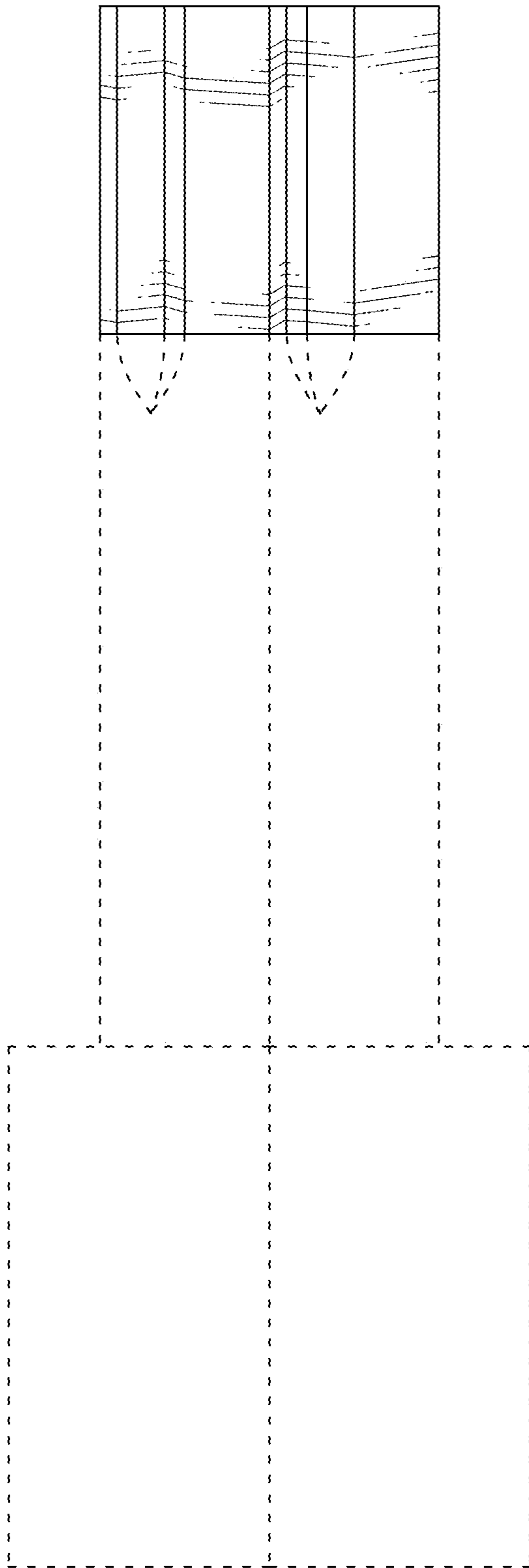


FIG. 7

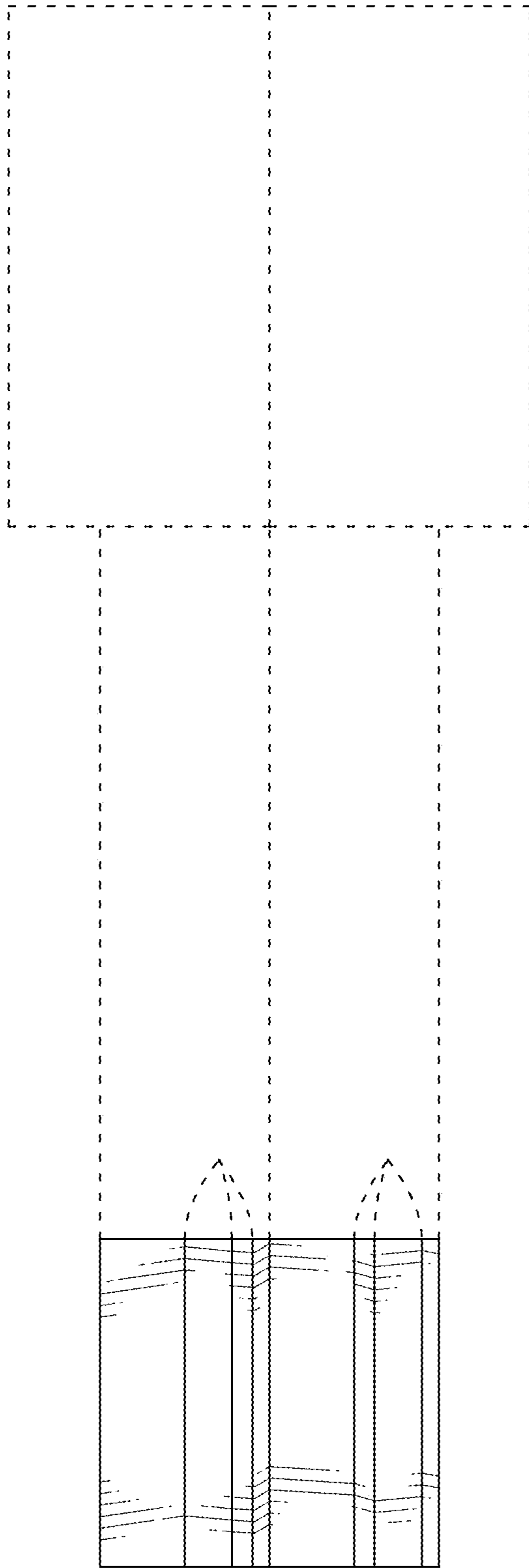


FIG. 8