



US00D910407S

(12) **United States Design Patent**
Raymond

(10) **Patent No.:** **US D910,407 S**
(45) **Date of Patent:** **** Feb. 16, 2021**

- (54) **HAMMERHEAD**
- (71) Applicant: **Daniel J. Raymond**, Saginaw, MI (US)
- (72) Inventor: **Daniel J. Raymond**, Saginaw, MI (US)
- (**) Term: **15 Years**
- (21) Appl. No.: **29/706,152**
- (22) Filed: **Sep. 18, 2019**
- (51) **LOC (13) Cl.** **08-02**
- (52) **U.S. Cl.**
USPC **D8/78; D8/79**
- (58) **Field of Classification Search**
USPC D8/75, 76, 77, 78, 79, 80, 81, 105, 107
CPC ... B25D 1/00; B25D 1/02; B25D 1/04; B25D
1/045; B25D 1/06; B25D 1/10; B25D
1/12; B25G 1/102
See application file for complete search history.

D601,397 S *	10/2009	Johnsen	D8/75
D603,675 S *	11/2009	Chen	D8/78
8,141,458 B1 *	3/2012	Spencer	B25D 1/00 81/20
D673,438 S *	1/2013	Beasley	D8/78
D736,051 S *	8/2015	Chen	D8/78
D742,713 S *	11/2015	Nelson	D8/78
D779,300 S *	2/2017	Nelson	D8/78
2019/0255691 A1 *	8/2019	Paulsen	B25D 1/02

* cited by examiner

Primary Examiner — Philip S Hyder
(74) *Attorney, Agent, or Firm* — Dickinson Wright PLLC;
Steven Hurles

(57) **CLAIM**

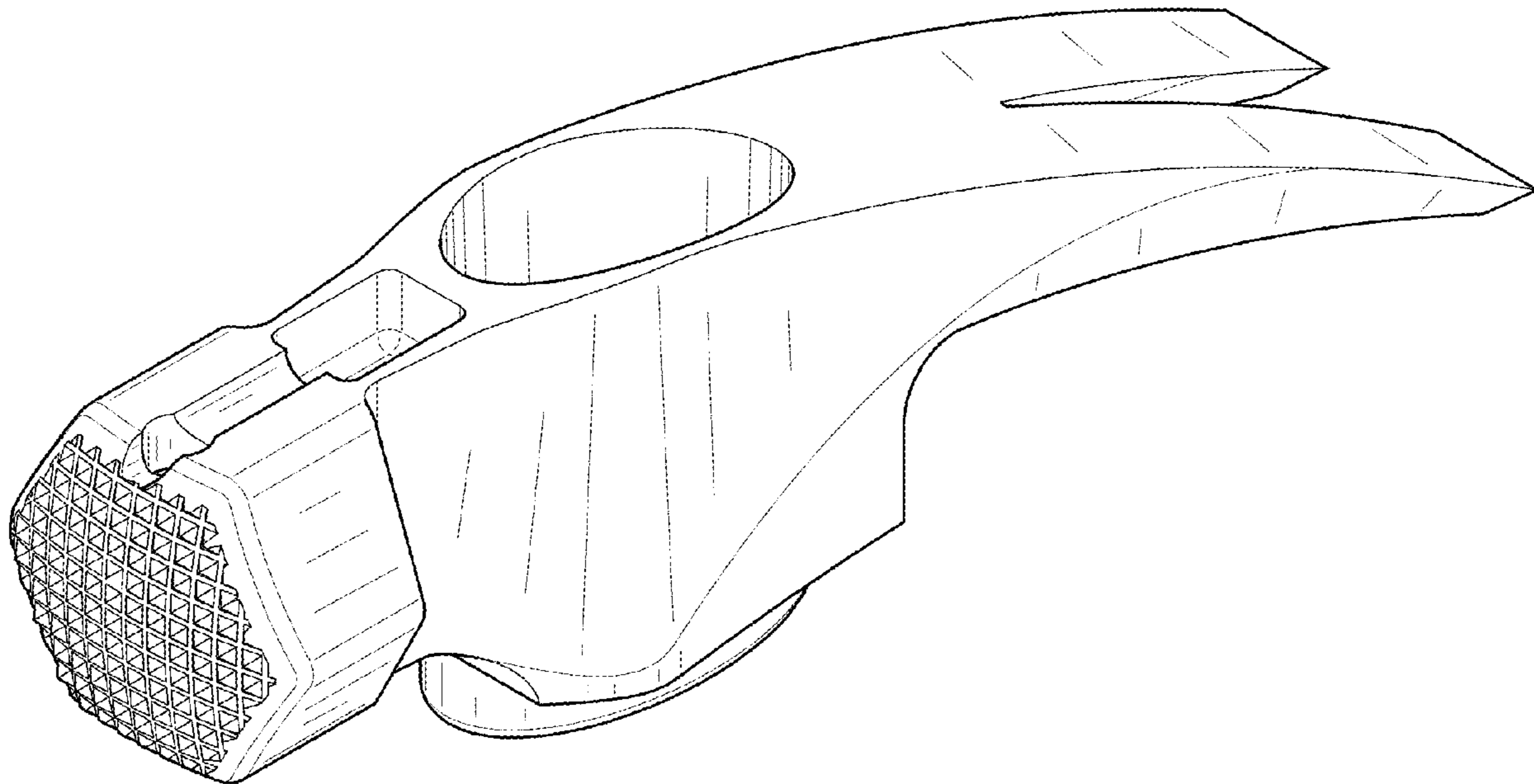
I claim the ornamental design for a hammerhead, as shown herein.

DESCRIPTION

FIG. 1 is a perspective view of the hammerhead;
FIG. 2 is another perspective view of the hammerhead looking from a different perspective than FIG. 1;
FIG. 3 is a back elevation view of the hammerhead;
FIG. 4 is a front elevation view of the hammerhead;
FIG. 5 is a right side elevation view of the hammerhead;
FIG. 6 is a left side elevation view of the hammerhead;
FIG. 7 is a top elevation view of the hammerhead; and,
FIG. 8 is a bottom elevation view of the hammerhead.

1 Claim, 5 Drawing Sheets

- (56) **References Cited**
U.S. PATENT DOCUMENTS
D429,985 S * 8/2000 Tovar D8/78
D432,380 S * 10/2000 Goble D8/78
D460,337 S * 7/2002 Shults D8/78
D505,609 S * 5/2005 Hung D8/78
D534,409 S * 1/2007 Chen D8/78



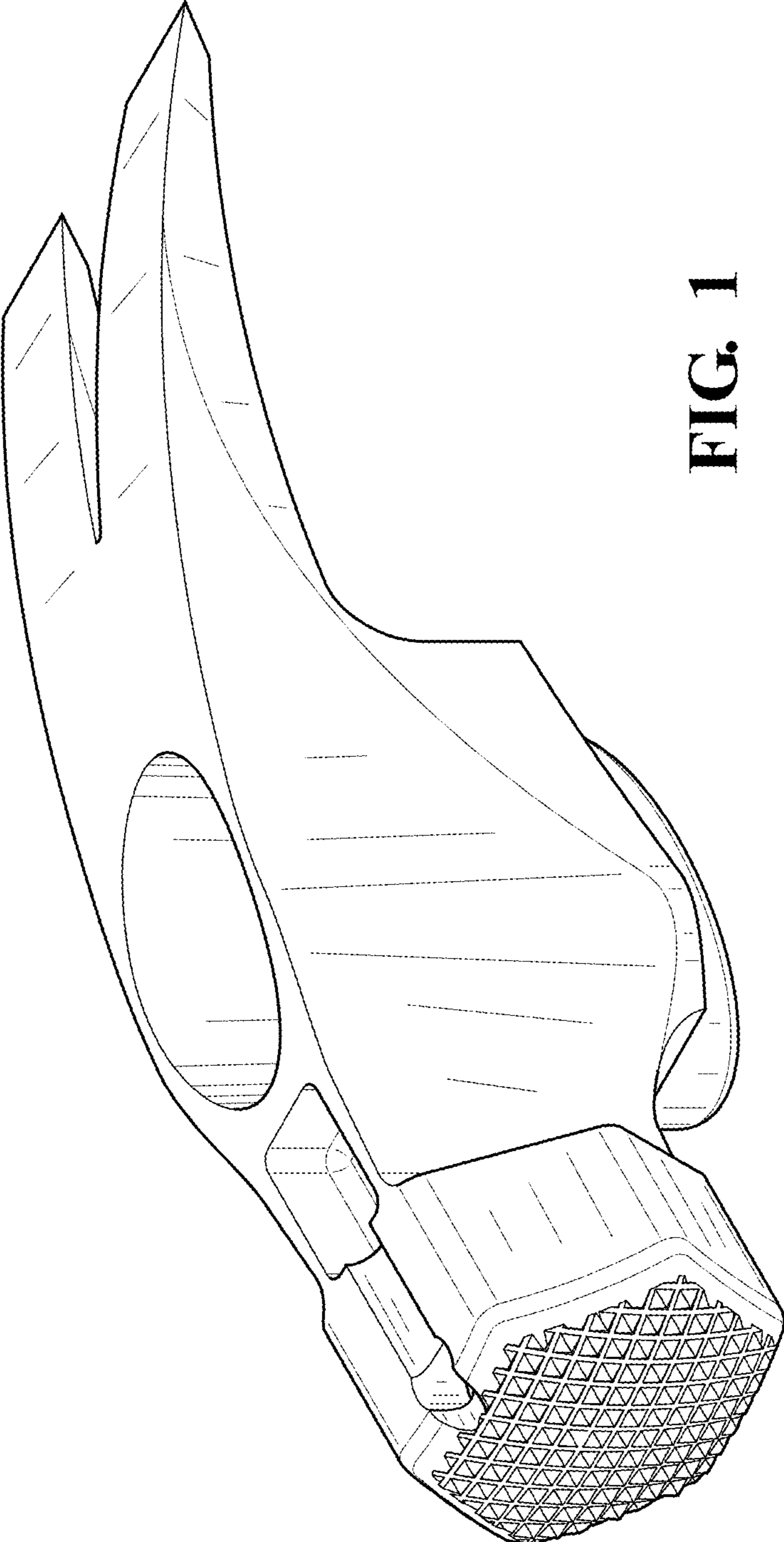


FIG. 1

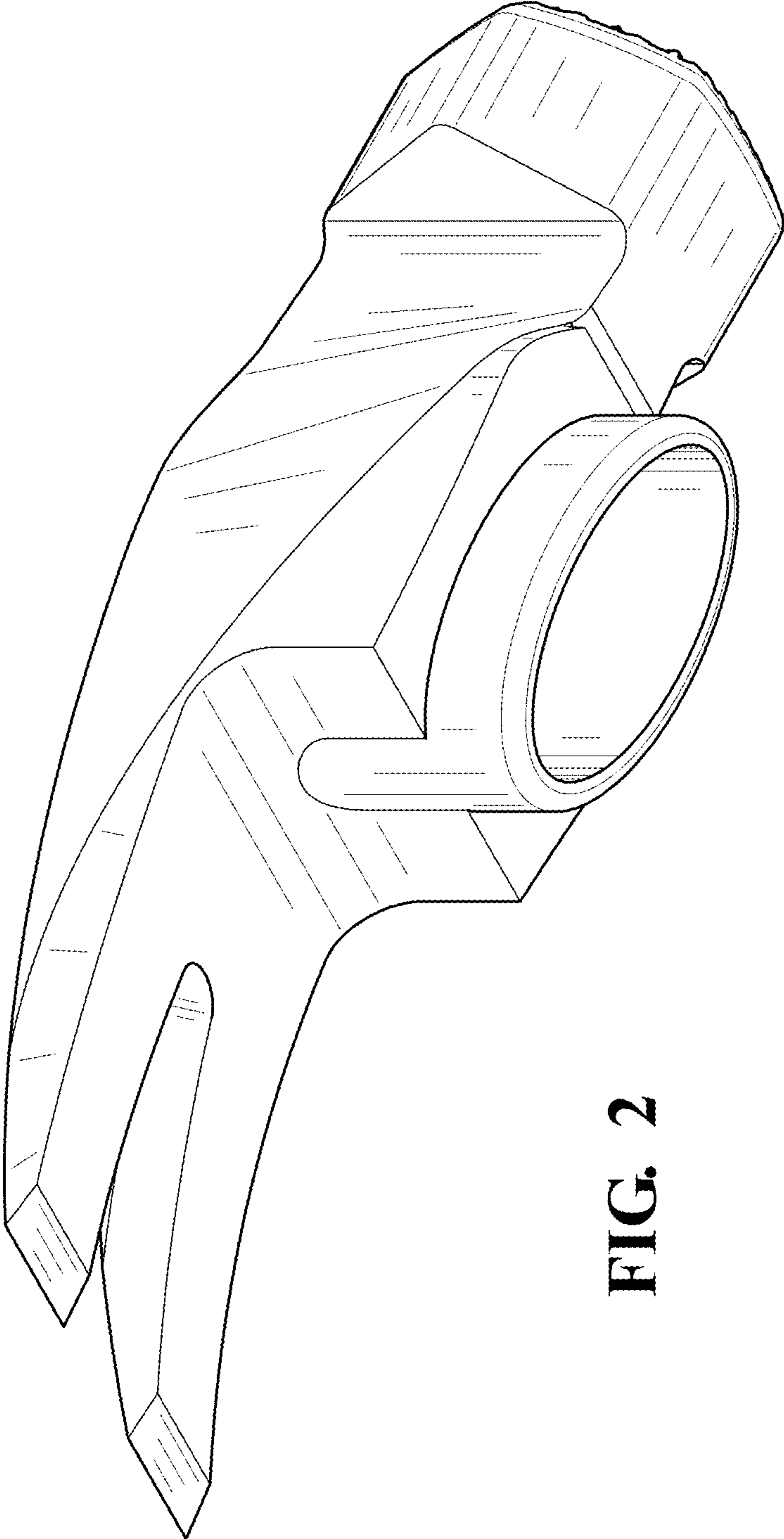


FIG. 2

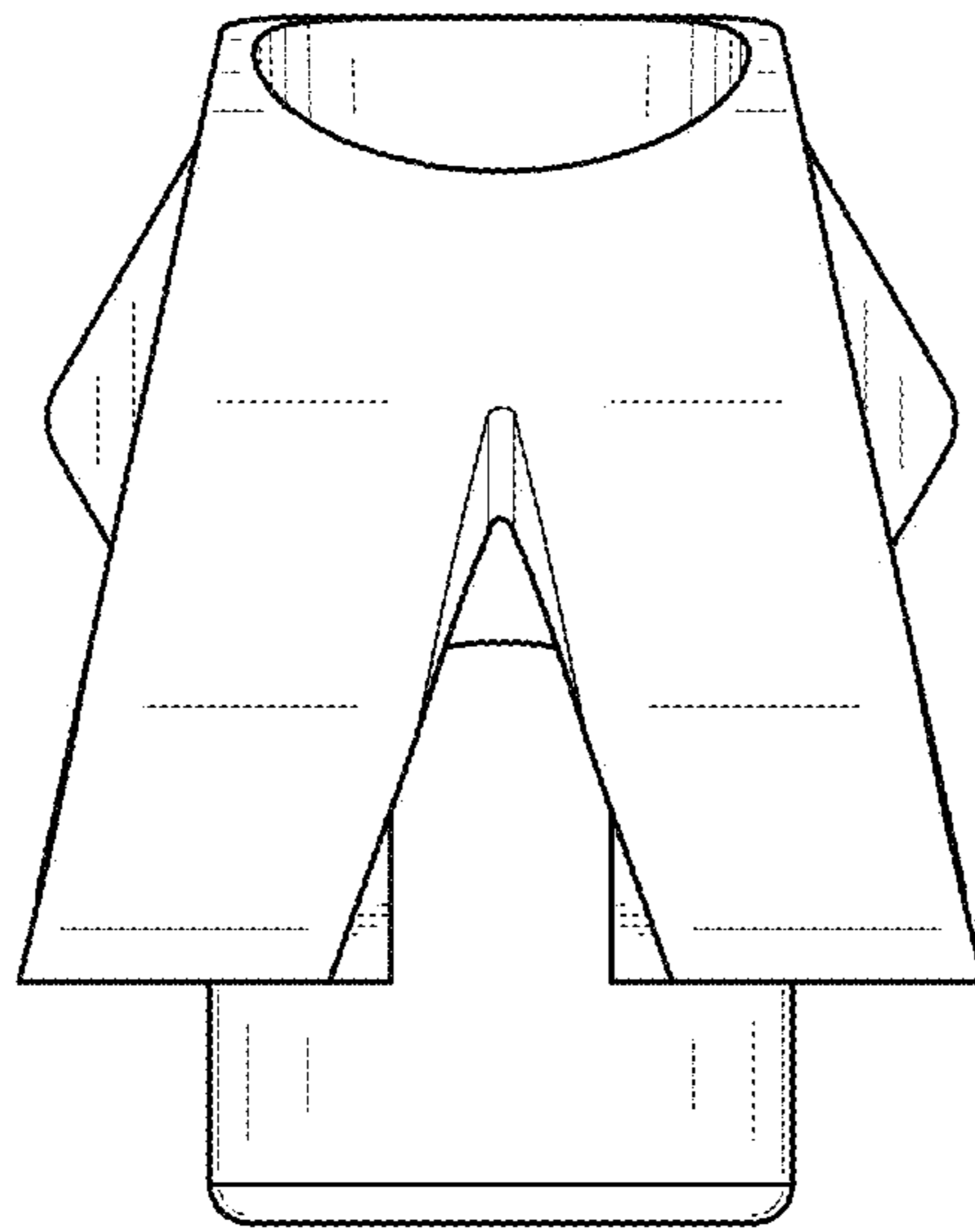


FIG. 3

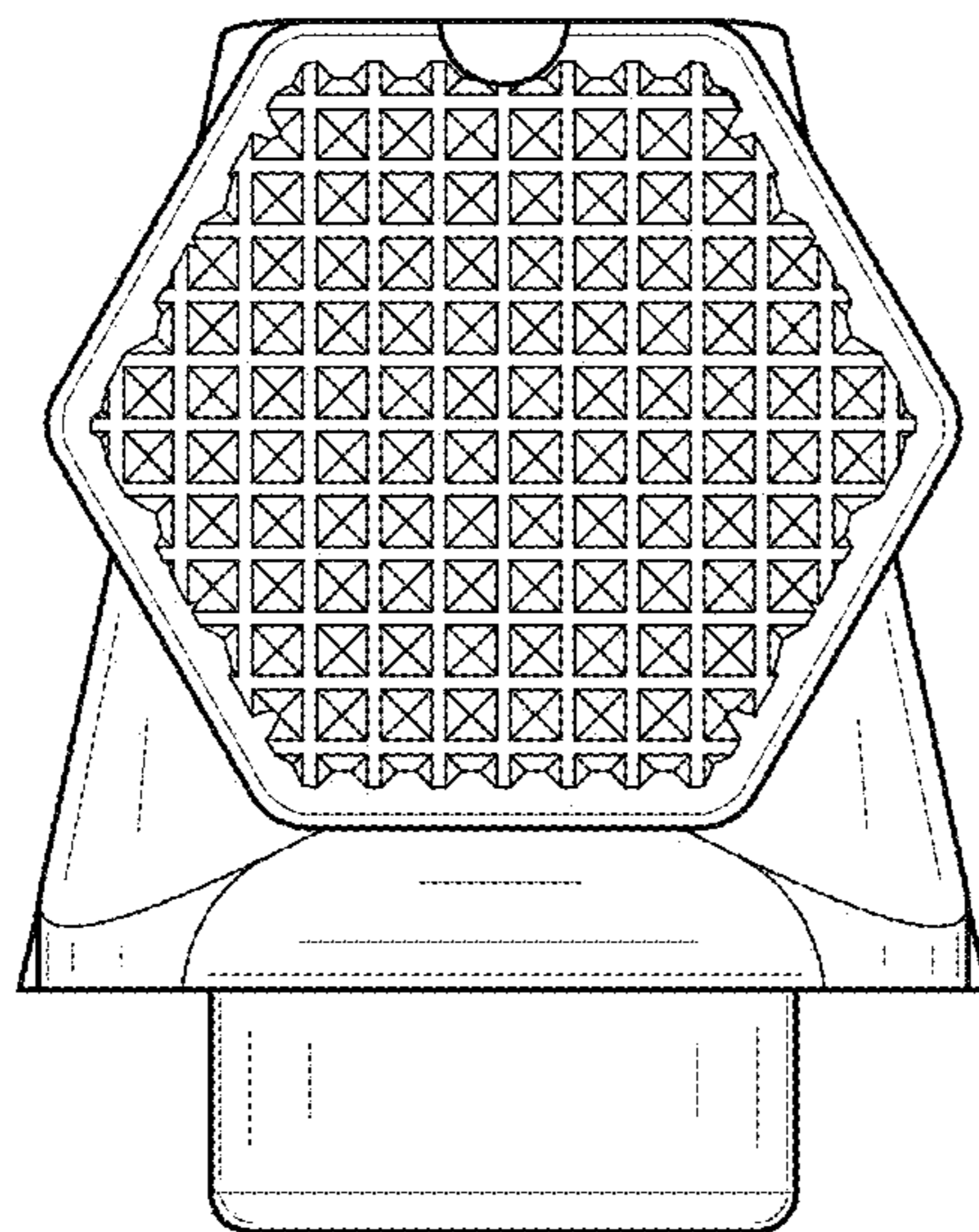


FIG. 4

FIG. 5

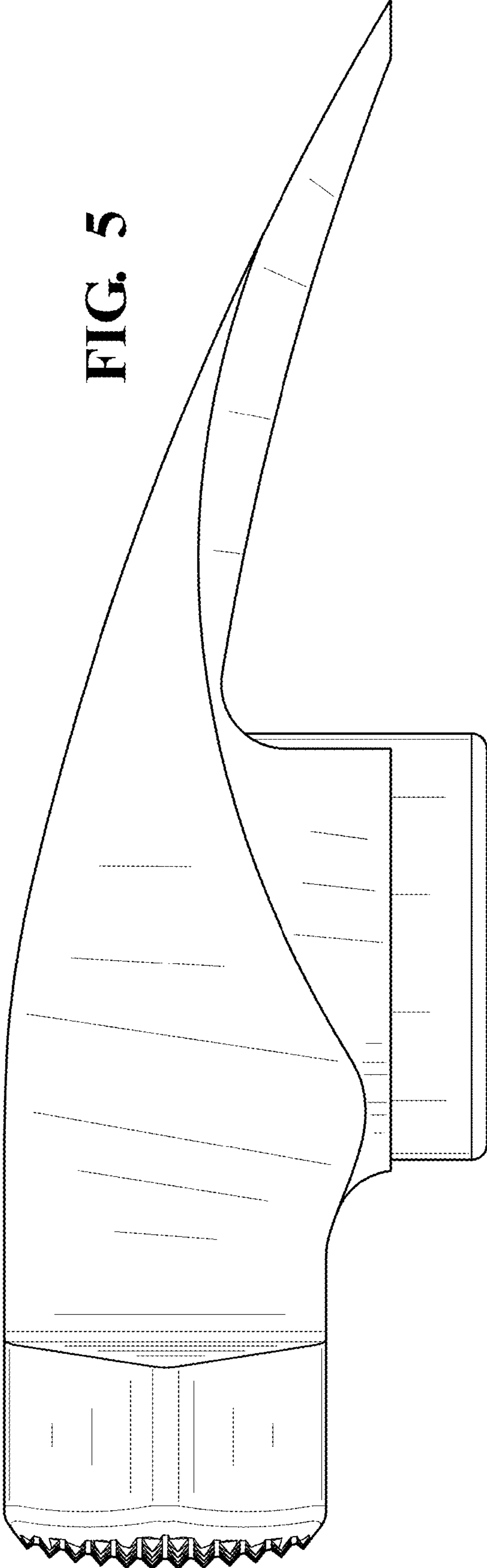
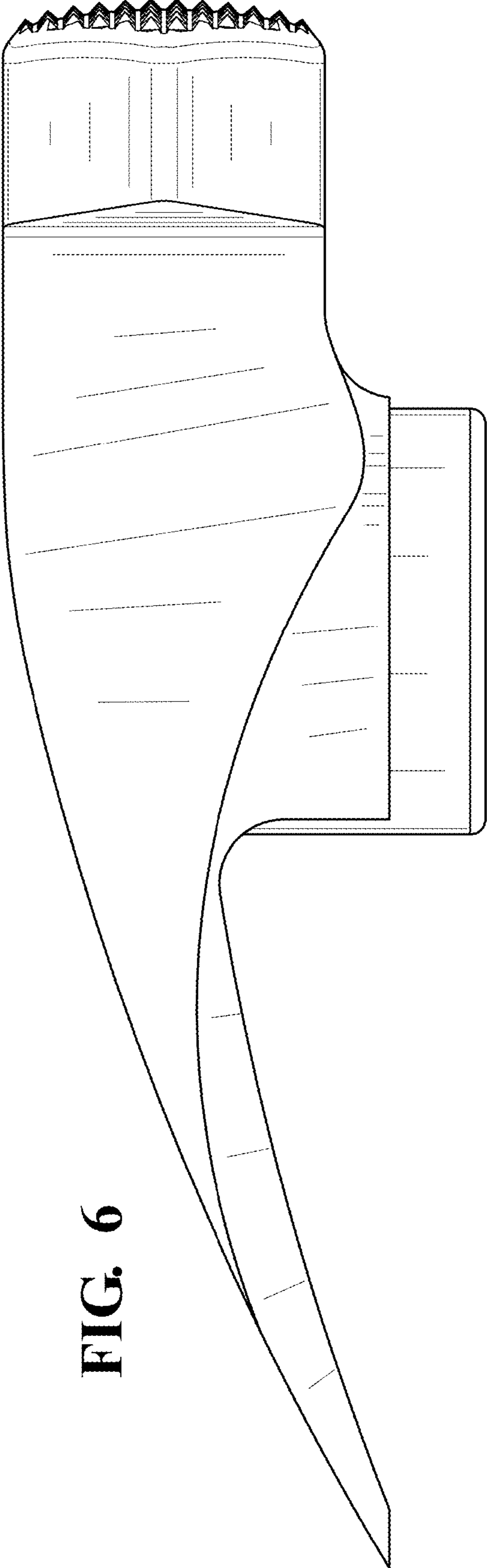


FIG. 6



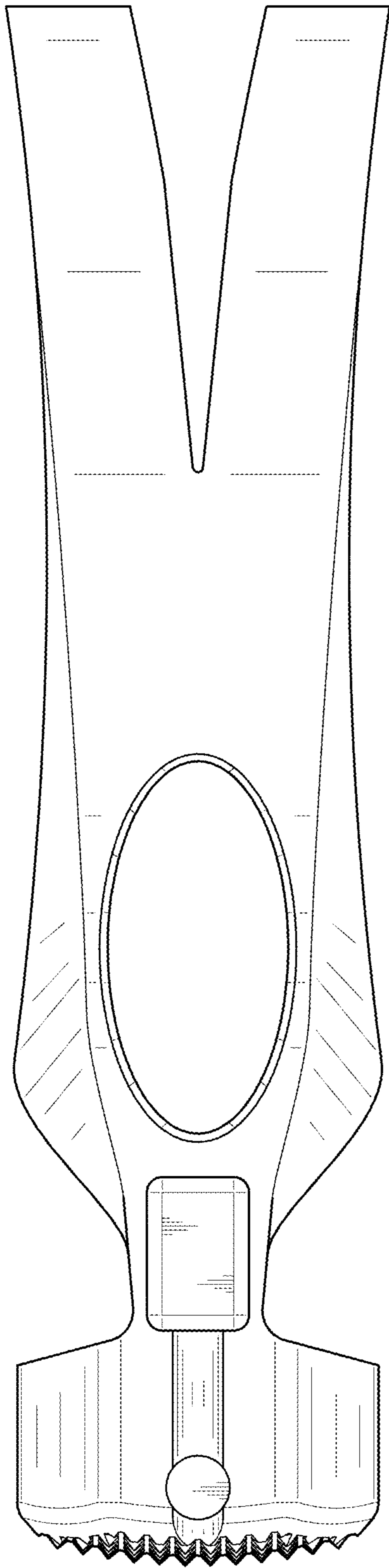


FIG. 7

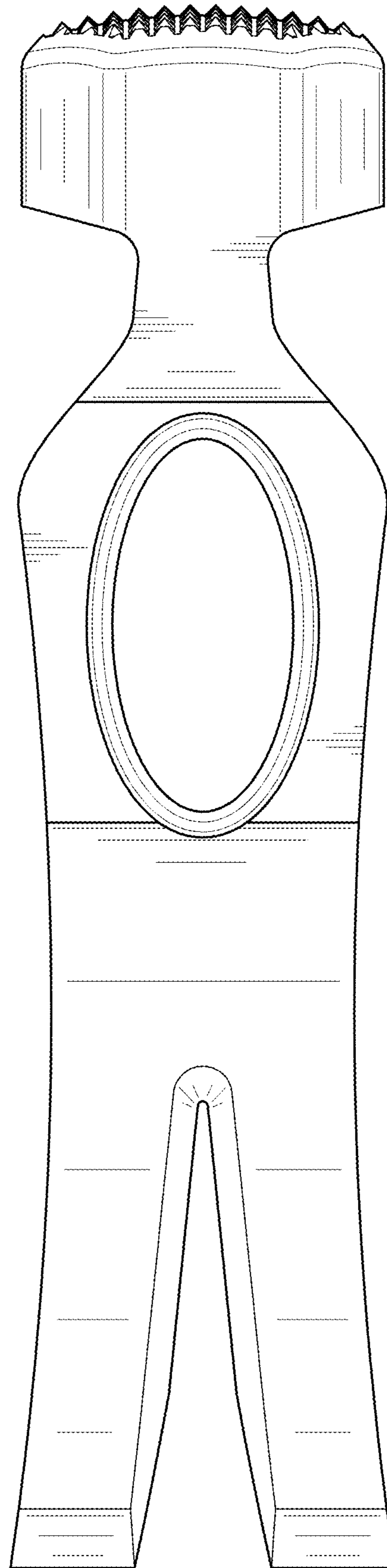


FIG. 8