



US00D910406S

(12) **United States Design Patent**
Raymond

(10) **Patent No.:** **US D910,406 S**

(45) **Date of Patent:** **** Feb. 16, 2021**

(54) **HAMMERHEAD**

(71) Applicant: **Daniel J. Raymond**, Saginaw, MI (US)

(72) Inventor: **Daniel J. Raymond**, Saginaw, MI (US)

(**) Term: **15 Years**

(21) Appl. No.: **29/706,145**

(22) Filed: **Sep. 18, 2019**

(51) **LOC (13) Cl.** **08-02**

(52) **U.S. Cl.**
USPC **D8/78; D8/79**

(58) **Field of Classification Search**
USPC D8/75, 76, 77, 78, 79, 80, 81, 105, 107
CPC ... B25D 1/00; B25D 1/02; B25D 1/04; B25D
1/045; B25D 1/06; B25D 1/10; B25D
1/12; B25G 1/102

See application file for complete search history.

(56) **References Cited**

U.S. PATENT DOCUMENTS

D432,380 S *	10/2000	Goble	D8/78
D549,066 S *	8/2007	Youngren	D8/78
D601,397 S *	10/2009	Johnsen	D8/75
D648,611 S *	11/2011	Chen	D8/78
8,141,458 B1 *	3/2012	Spencer	B25D 1/00 81/20
8,387,486 B2 *	3/2013	Hanlon	B25D 1/12 81/22
D736,051 S *	8/2015	Chen	D8/78

D742,713 S *	11/2015	Nelson	D8/78
D747,943 S *	1/2016	Hung	D8/75
D770,255 S *	11/2016	Honadel	D8/75
D770,875 S *	11/2016	Honadel	D8/75
D779,300 S *	2/2017	Nelson	D8/78
D781,124 S *	3/2017	Chen	D8/79
D826,674 S *	8/2018	Nelson	D8/75
D872,555 S *	1/2020	Lipscomb	D8/75

* cited by examiner

Primary Examiner — Philip S Hyder

(74) *Attorney, Agent, or Firm* — Dickinson Wright PLLC;
Steven Hurles

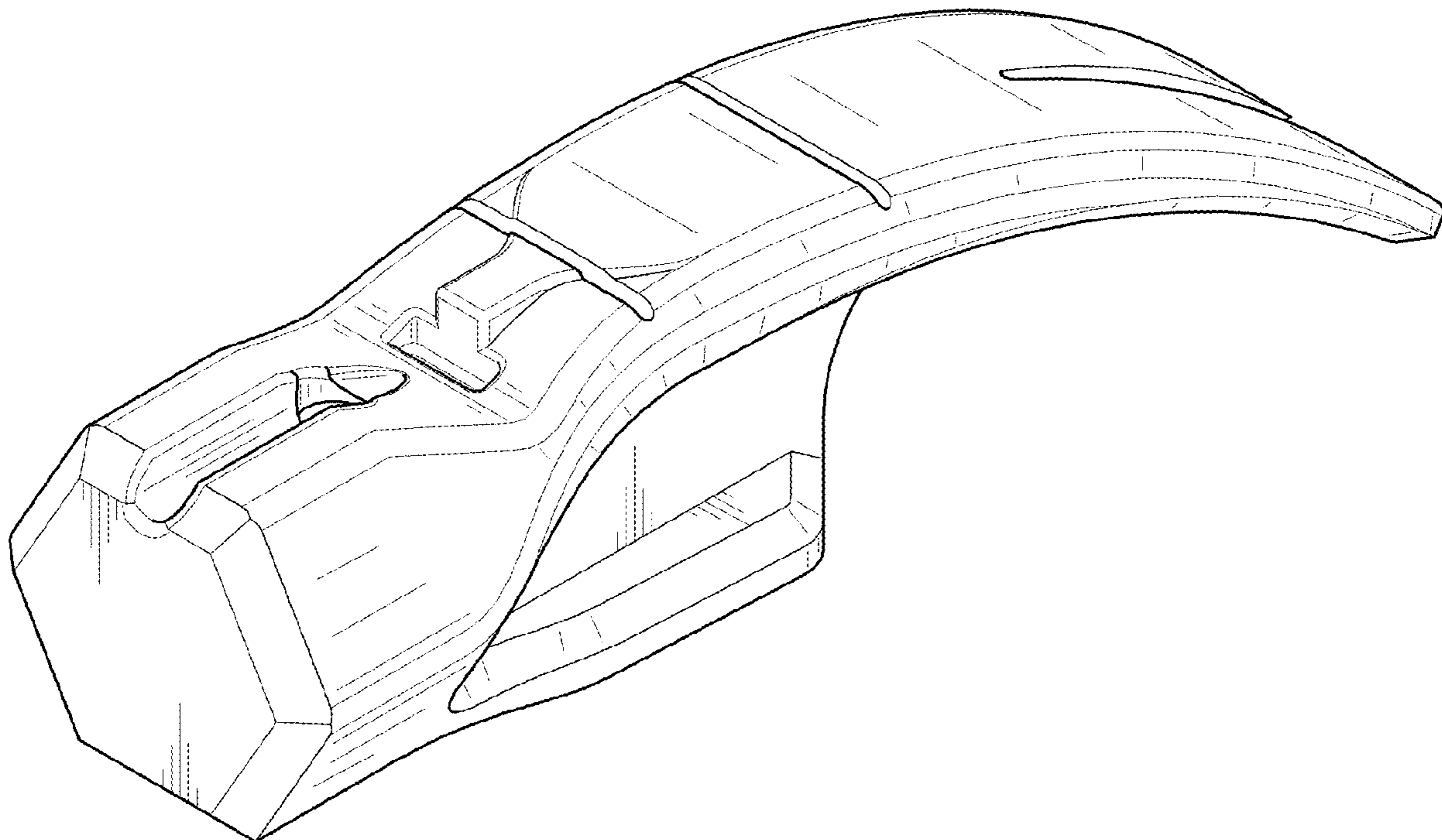
(57) **CLAIM**

I claim the ornamental design for a hammerhead, as shown herein.

DESCRIPTION

FIG. 1 is a perspective view of the hammerhead;
FIG. 2 is another perspective view of the hammerhead looking from a different perspective than FIG. 1;
FIG. 3 is a back elevation view of the hammerhead;
FIG. 4 is a front elevation view of the hammerhead;
FIG. 5 is a right side elevation view of the hammerhead;
FIG. 6 is a left side elevation view of the hammerhead;
FIG. 7 is a top elevation view of the hammerhead; and,
FIG. 8 is a bottom elevation view of the hammerhead.

1 Claim, 5 Drawing Sheets



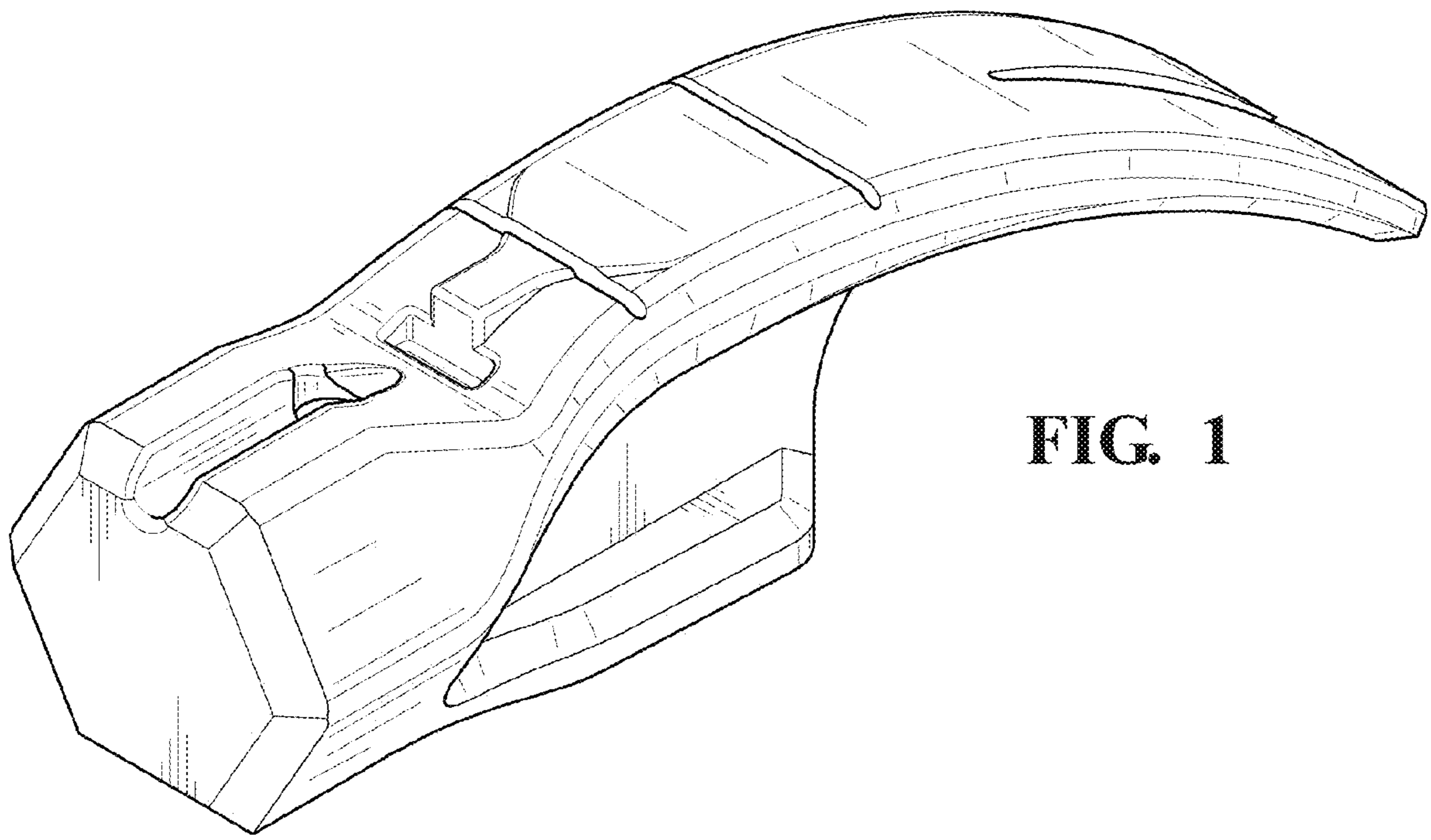


FIG. 1

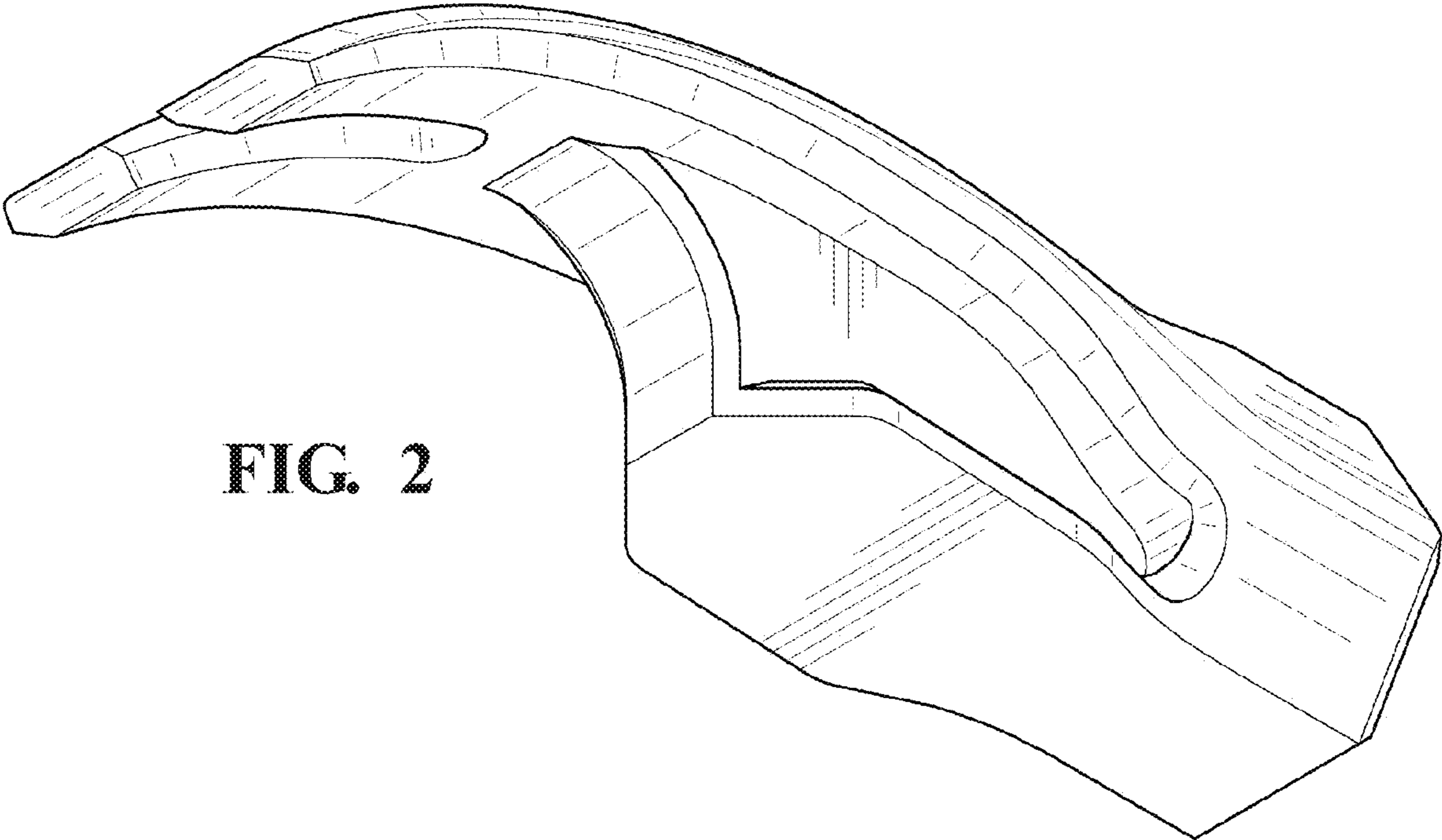


FIG. 2

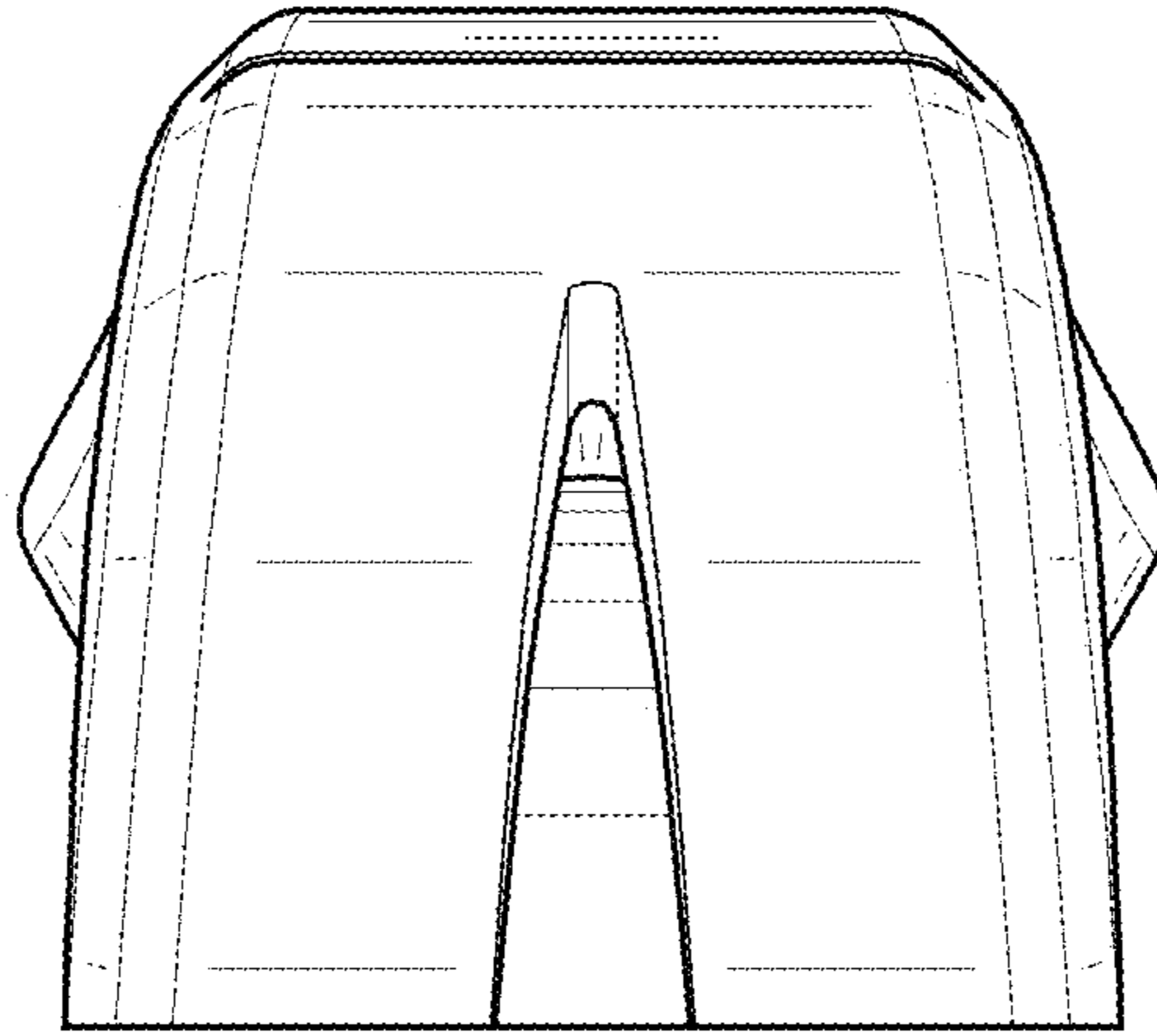


FIG. 3

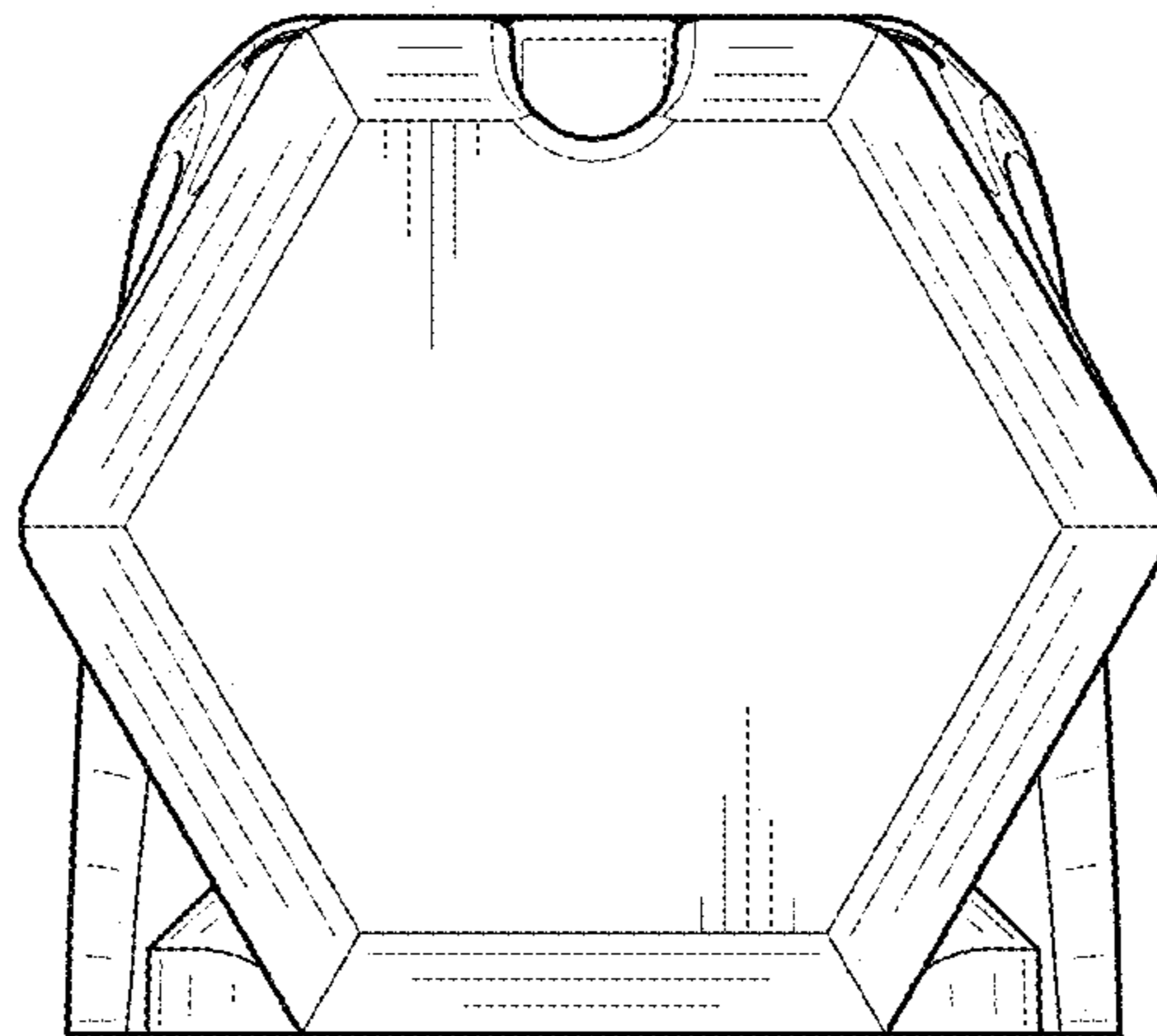


FIG. 4

FIG. 5

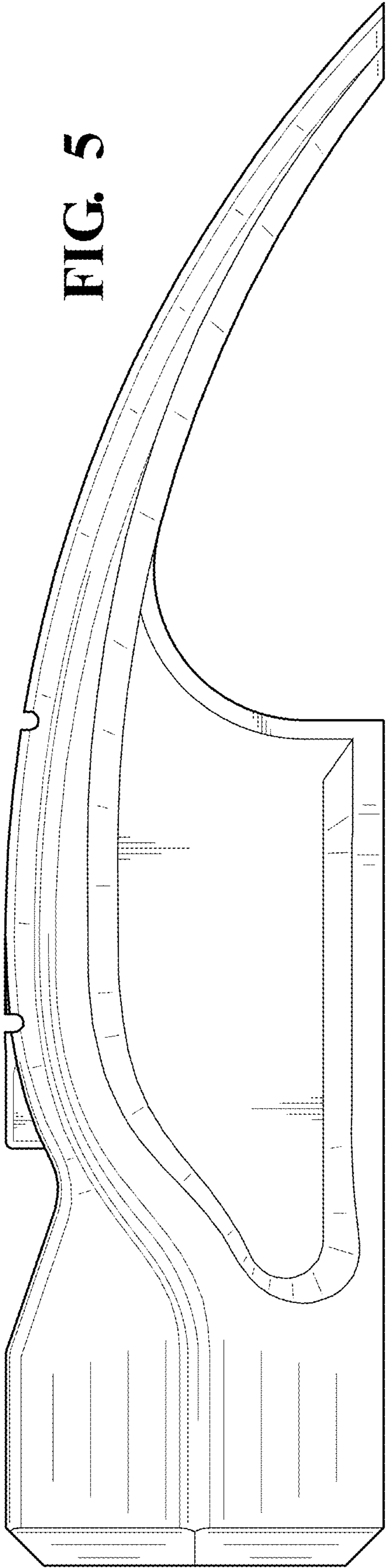
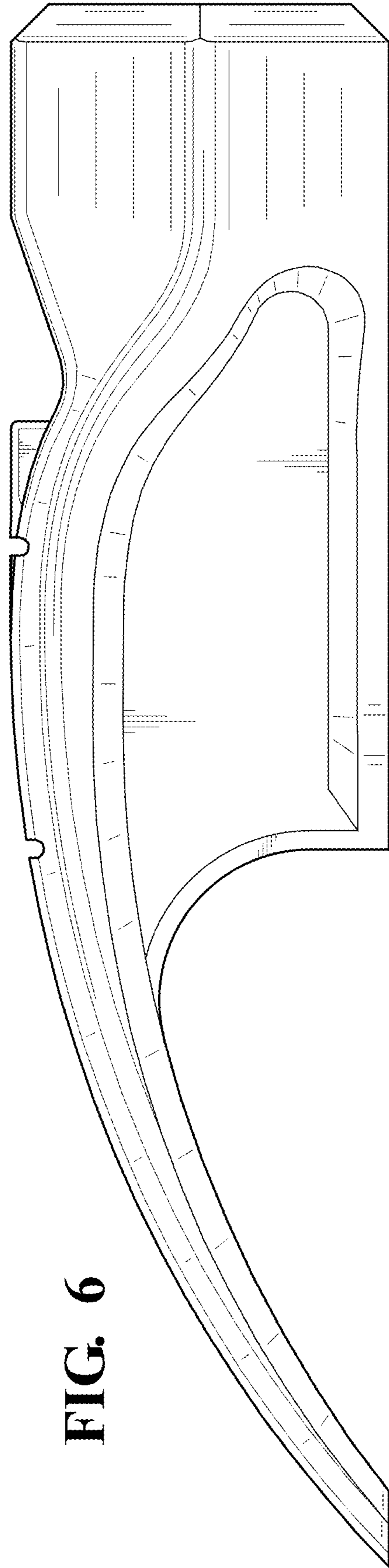


FIG. 6



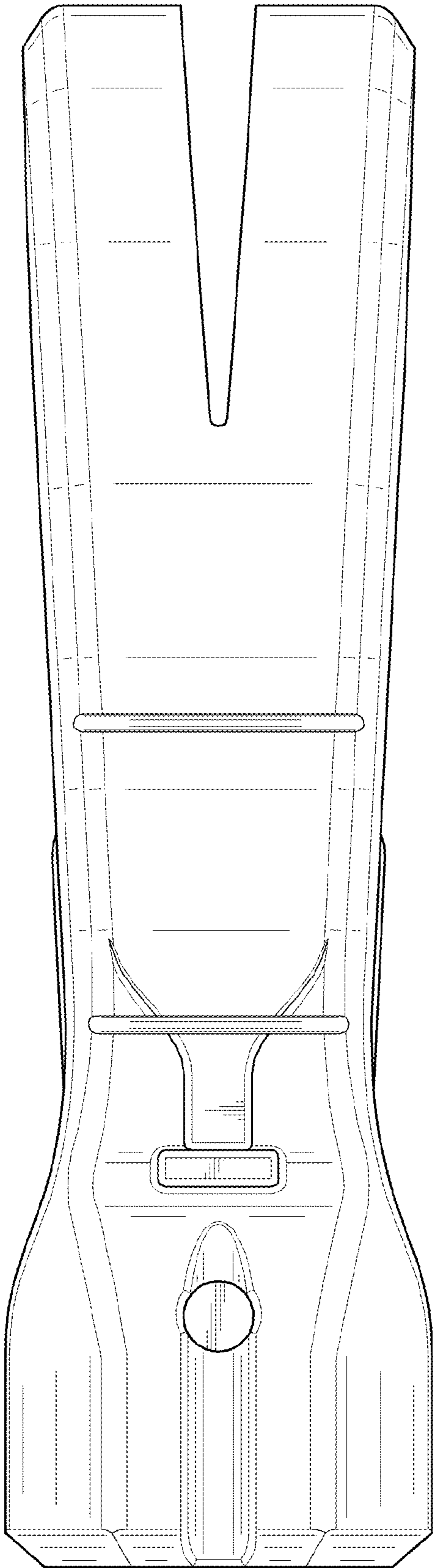


FIG. 7

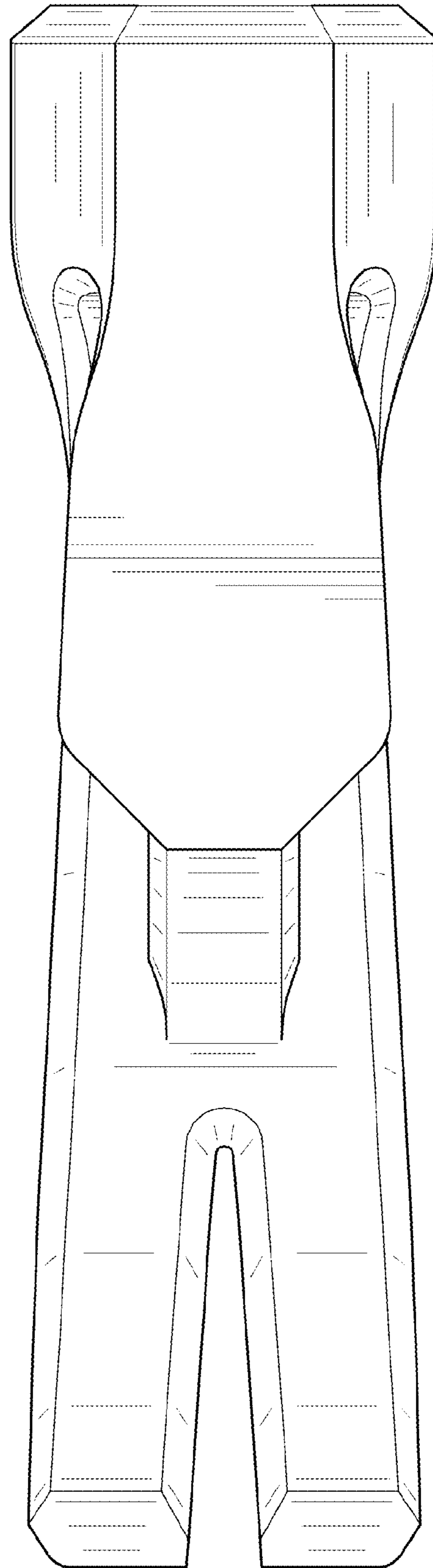


FIG. 8