



US00D910404S

(12) **United States Design Patent**
Raymond

(10) **Patent No.:** **US D910,404 S**

(45) **Date of Patent:** **** Feb. 16, 2021**

(54) **HAMMER**

(71) Applicant: **Daniel J. Raymond**, Saginaw, MI (US)

(72) Inventor: **Daniel J. Raymond**, Saginaw, MI (US)

(**) Term: **15 Years**

(21) Appl. No.: **29/706,149**

(22) Filed: **Sep. 18, 2019**

(51) **LOC (13) Cl.** **08-02**

(52) **U.S. Cl.**
USPC **D8/75**

(58) **Field of Classification Search**
USPC D8/75, 76, 77, 78, 79, 80, 81, 105, 107
CPC ... B25D 1/00; B25D 1/02; B25D 1/04; B25D
1/045; B25D 1/06; B25D 1/10; B25D
1/12; B25G 1/102

See application file for complete search history.

(56) **References Cited**

U.S. PATENT DOCUMENTS

4,723,582	A *	2/1988	Caspall	B25D 1/00
					101/31
D426,128	S *	6/2000	Lamond	D8/75
D436,821	S *	1/2001	Douglas	D8/75
D474,667	S *	5/2003	Hung	D8/75
D534,409	S *	1/2007	Chen	D8/78

D826,674	S *	8/2018	Nelson	D8/75
D826,675	S *	8/2018	Nelson	D8/75
D826,676	S *	8/2018	Nelson	D8/75
D867,089	S *	11/2019	Hyma	D8/75
2012/0119173	A1 *	5/2012	Hanlon	B25D 1/045
					254/26 R
2015/0107417	A1 *	4/2015	LaPorte	B25G 1/10
					81/20
2020/0282538	A1 *	9/2020	Raymond	G01B 3/56

* cited by examiner

Primary Examiner — Philip S Hyder

(74) *Attorney, Agent, or Firm* — Dickinson Wright PLLC; Steven Hurles

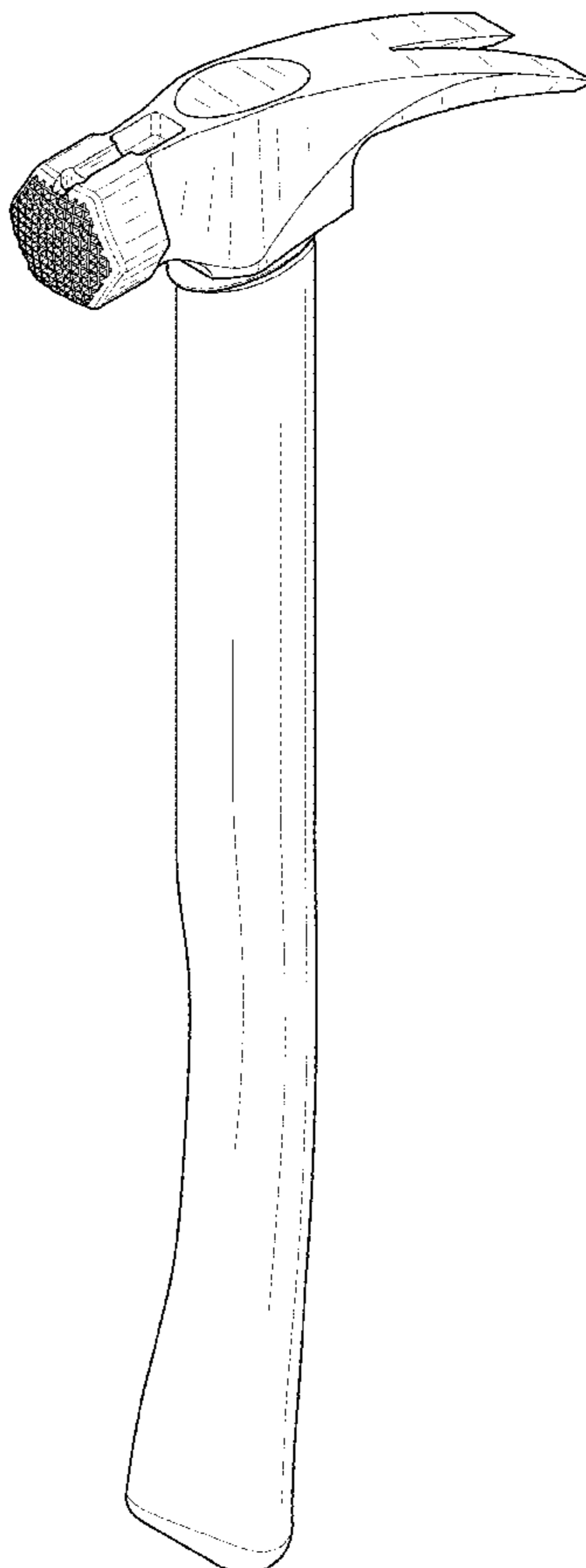
(57) **CLAIM**

We claim the ornamental design for a hammer, as shown herein.

DESCRIPTION

FIG. 1 is a perspective view of the hammer;
FIG. 2 is another perspective view of the hammer looking from a different perspective than FIG. 1;
FIG. 3 is a back elevation view of the hammer;
FIG. 4 is a front elevation view of the hammer;
FIG. 5 is a right side elevation view of the hammer;
FIG. 6 is a left side elevation view of the hammer;
FIG. 7 is an enlarged top plan view of the hammer; and,
FIG. 8 is an enlarged bottom plan view of the hammer.

1 Claim, 6 Drawing Sheets



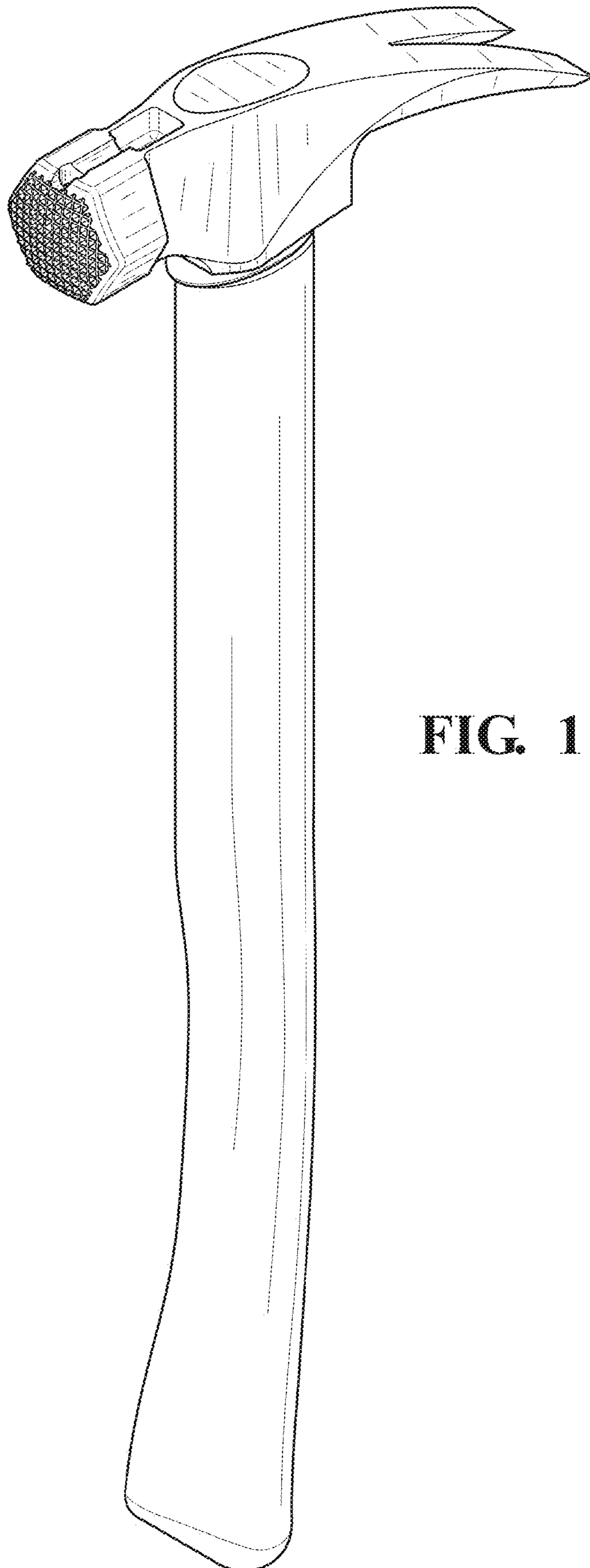


FIG. 1

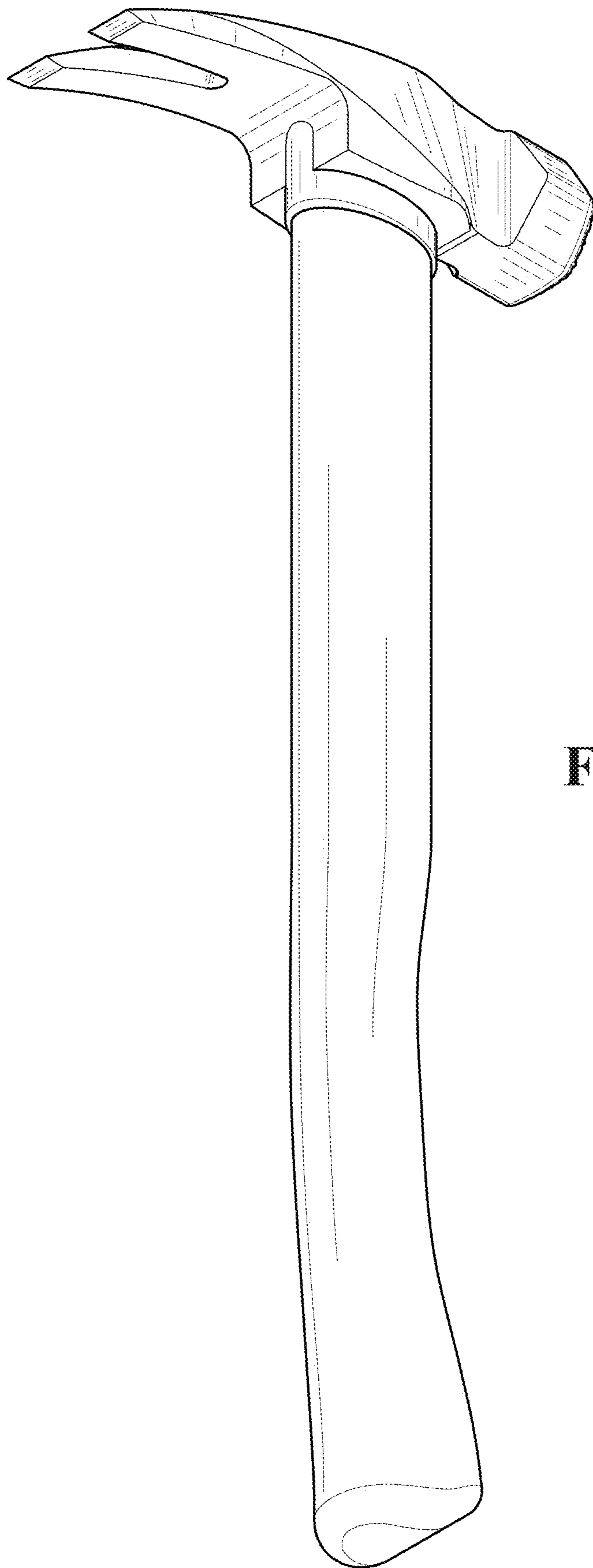


FIG. 2

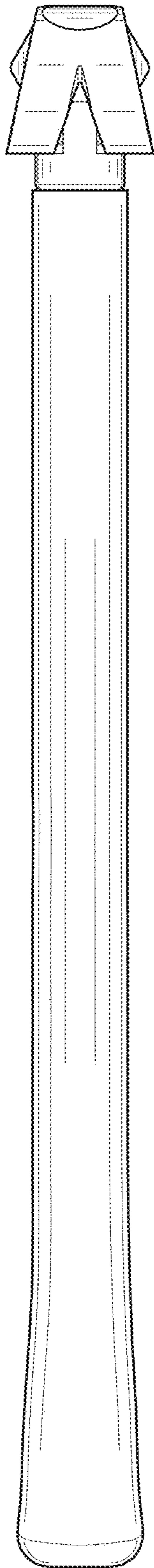


FIG. 3

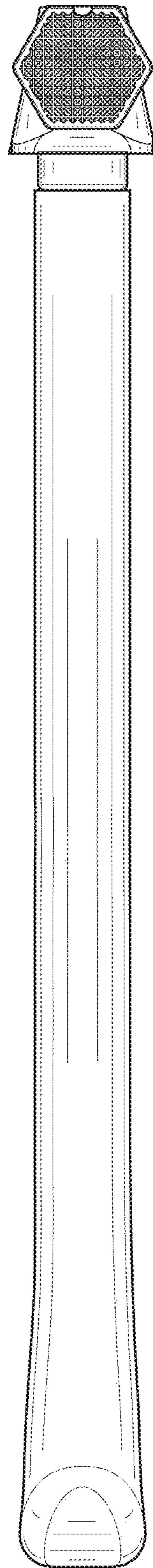


FIG. 4

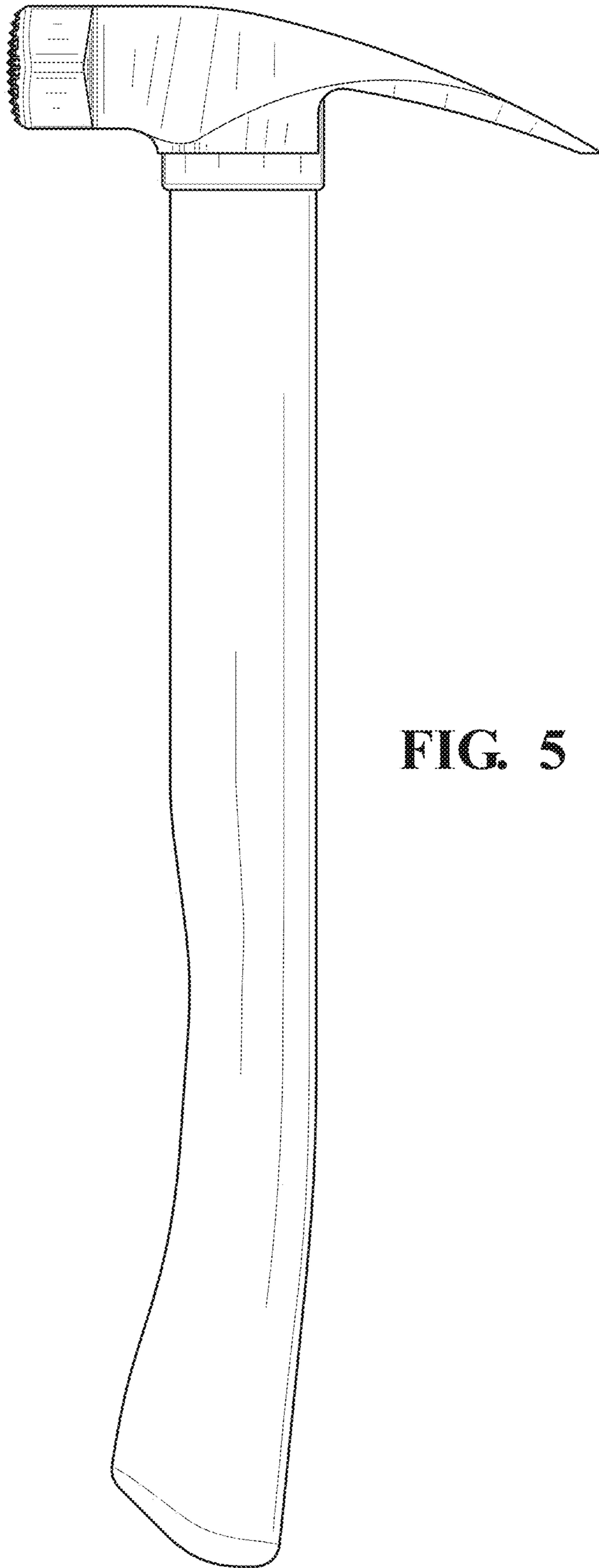


FIG. 5

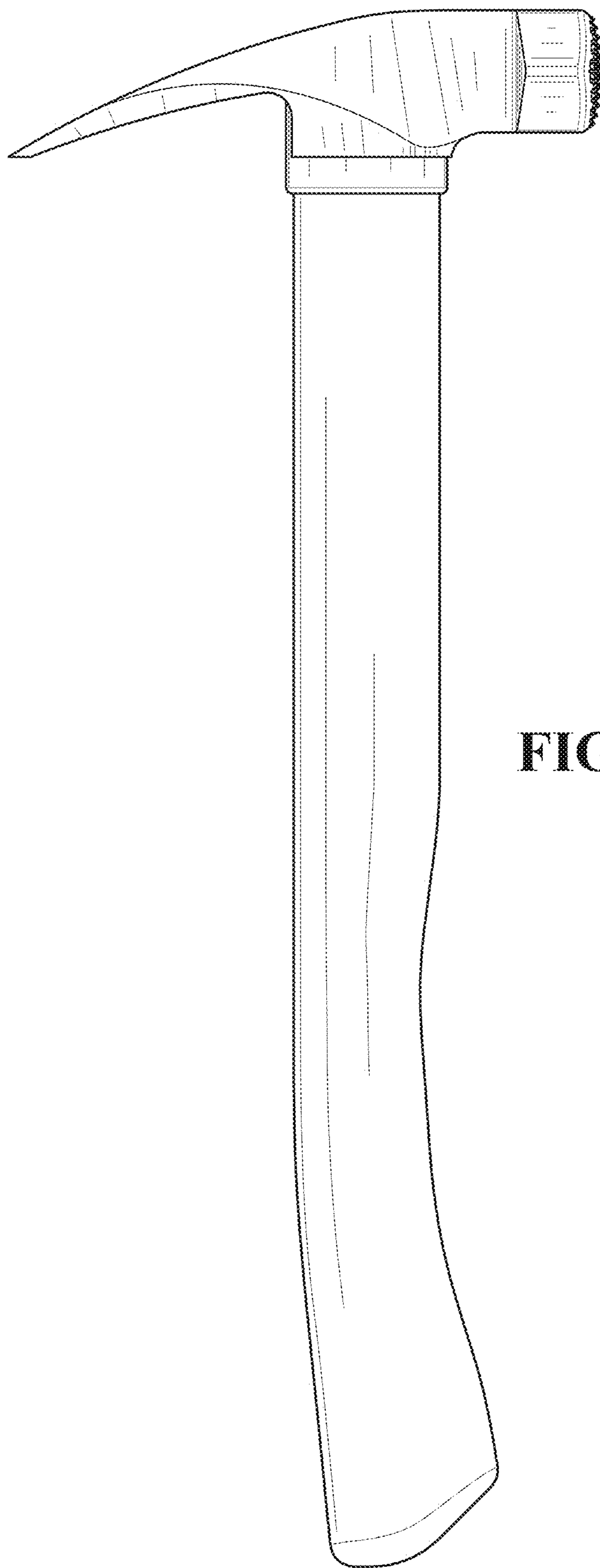


FIG. 6

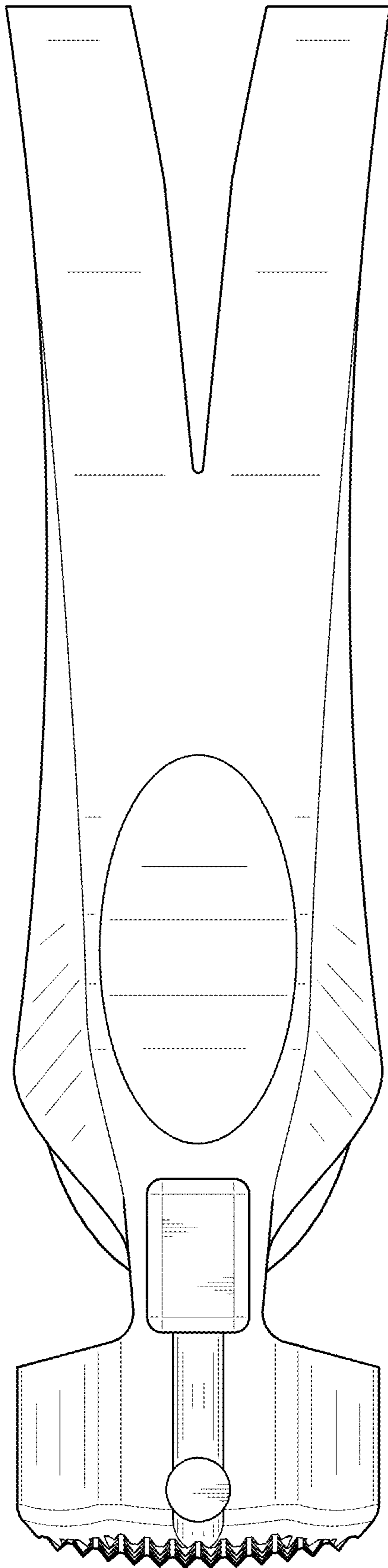


FIG. 7

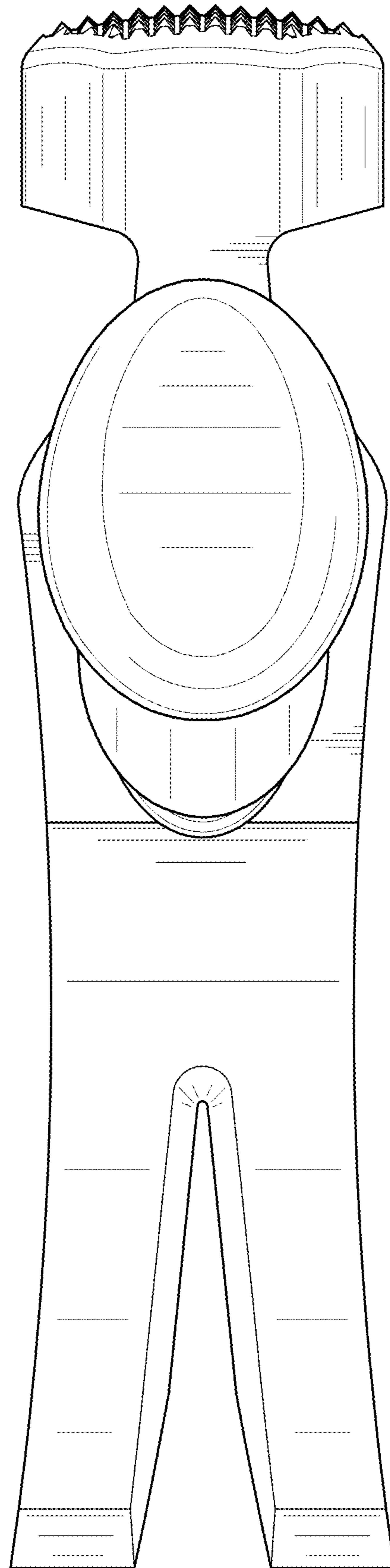


FIG. 8