



US00D910403S

(12) **United States Design Patent**
Raymond

(10) **Patent No.:** **US D910,403 S**

(45) **Date of Patent:** **** Feb. 16, 2021**

(54) **HAMMER**
(71) Applicant: **Daniel J. Raymond**, Saginaw, MI (US)
(72) Inventor: **Daniel J. Raymond**, Saginaw, MI (US)
(**) Term: **15 Years**
(21) Appl. No.: **29/706,147**

8,387,486 B2 * 3/2013 Hanlon B25D 1/12
81/22
9,193,059 B2 * 11/2015 Lombardi B25D 1/04
D747,943 S * 1/2016 Hung D8/75
D770,254 S * 11/2016 Honadel D8/75
D770,255 S * 11/2016 Honadel D8/75
D777,549 S * 1/2017 Hung D8/78
D781,124 S * 3/2017 Chen D8/79
D867,090 S * 11/2019 Hyma D8/75
D868,558 S * 12/2019 Hyma D8/75
2014/0001426 A1 * 1/2014 Lombardi B25G 1/10
254/26 R

(22) Filed: **Sep. 18, 2019**
(51) **LOC (13) Cl.** **08-02**
(52) **U.S. Cl.**
USPC **D8/75; D8/81**
(58) **Field of Classification Search**
USPC D8/75, 76, 77, 78, 79, 80, 81, 105, 107
CPC ... B25D 1/00; B25D 1/02; B25D 1/04; B25D
1/045; B25D 1/06; B25D 1/10; B25D
1/12; B25G 1/102
See application file for complete search history.

* cited by examiner

Primary Examiner — Philip S Hyder
(74) *Attorney, Agent, or Firm* — Dickinson Wright PLLC;
Steven Hurles

(57) **CLAIM**

I claim the ornamental design for a hammer, as shown herein.

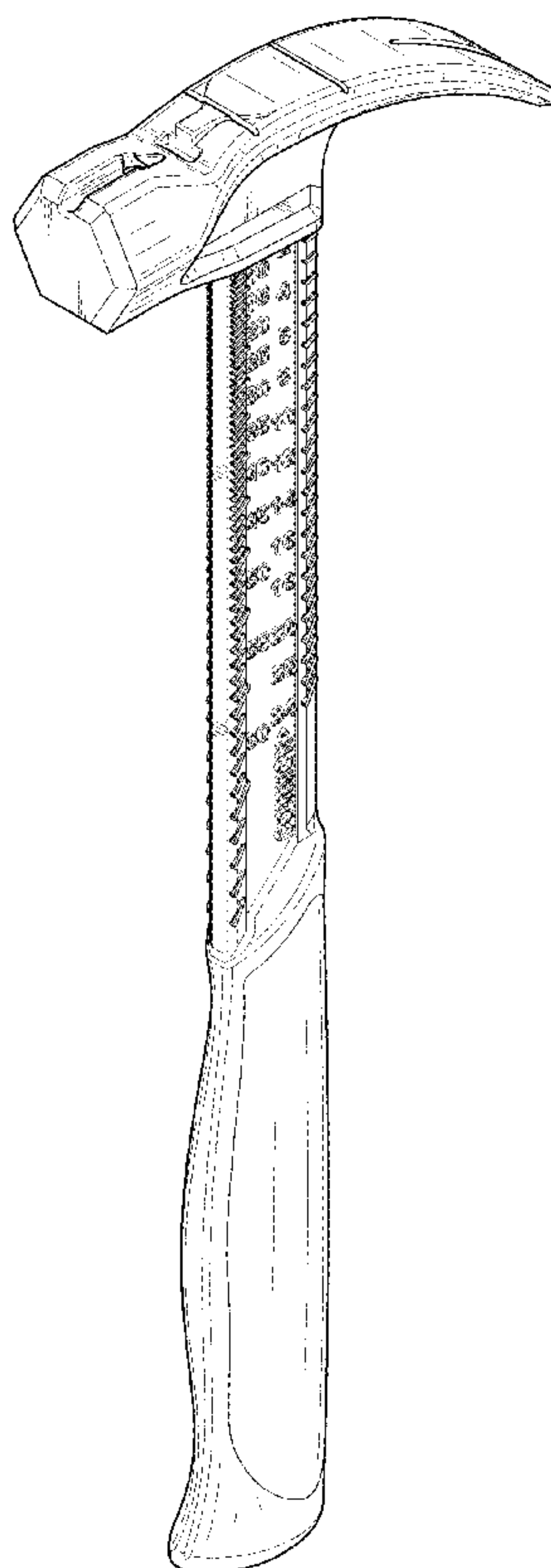
DESCRIPTION

FIG. 1 is a perspective view of the hammer;
FIG. 2 is another perspective view of the hammer looking from a different perspective than FIG. 1;
FIG. 3 is a back elevation view of the hammer;
FIG. 4 is a front elevation view of the hammer;
FIG. 5 is a right side elevation view of the hammer;
FIG. 6 is a left side elevation view of the hammer;
FIG. 7 is an enlarged top plan view of the hammer; and,
FIG. 8 is an enlarged bottom plan view of the hammer.

(56) **References Cited**
U.S. PATENT DOCUMENTS

D303,208 S * 9/1989 Chung D8/81
D600,523 S * 9/2009 Adams D8/75
D603,676 S * 11/2009 Higgs D8/75
7,874,231 B2 * 1/2011 Hanlon B25D 1/12
81/22
D676,300 S * 2/2013 Vanderbeek D8/75
D676,301 S * 2/2013 Vanderbeek D8/75
D676,302 S * 2/2013 Vanderbeek D8/75

1 Claim, 6 Drawing Sheets



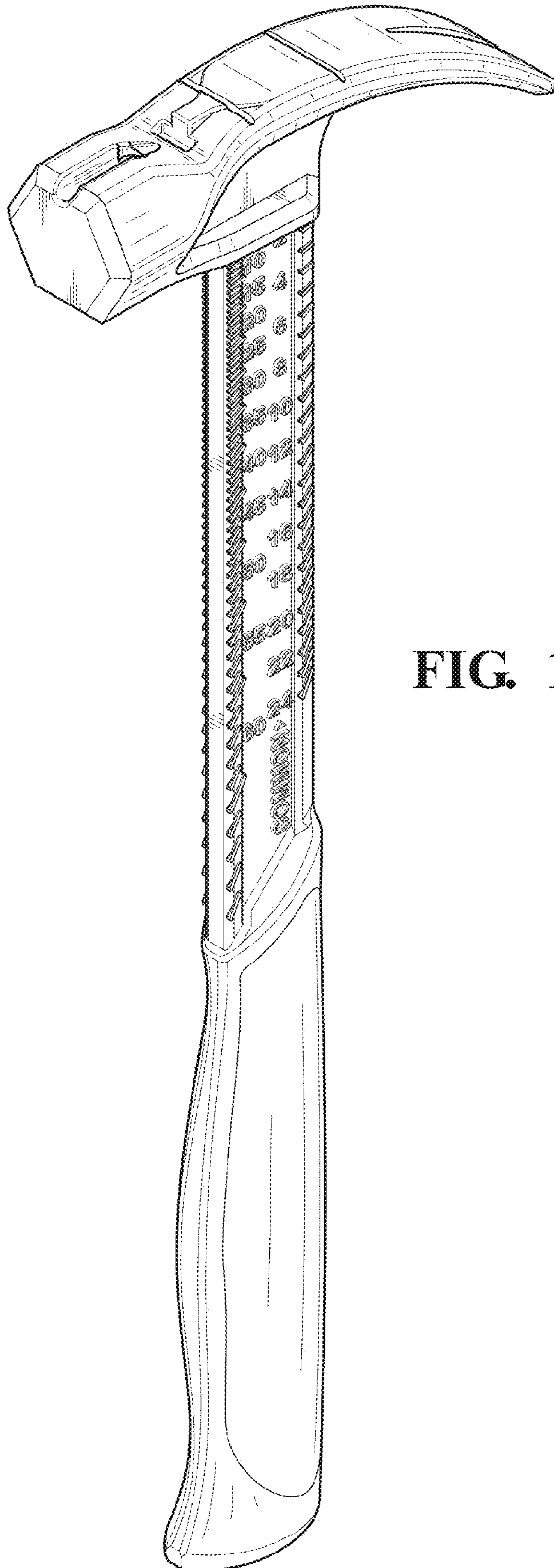


FIG. 1

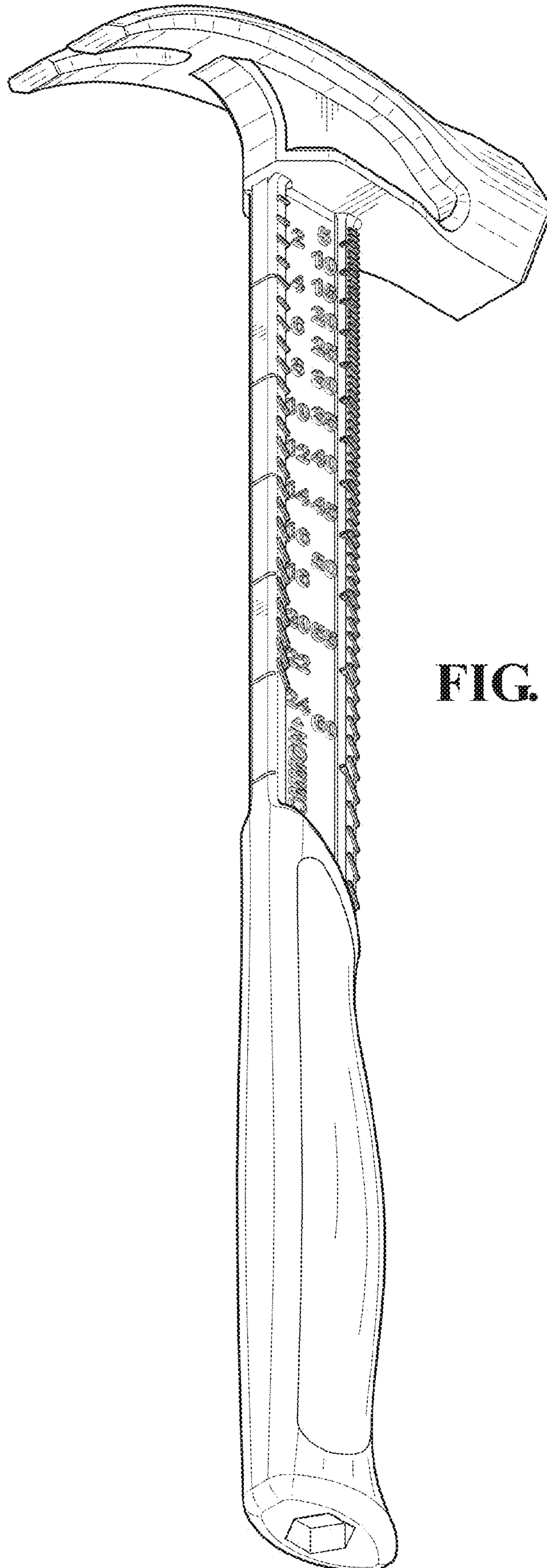


FIG. 2

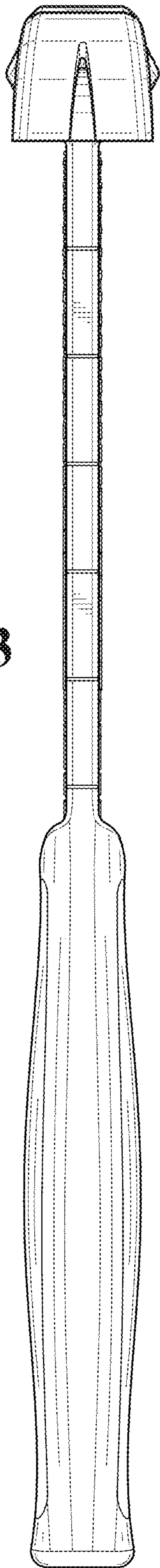


FIG. 3

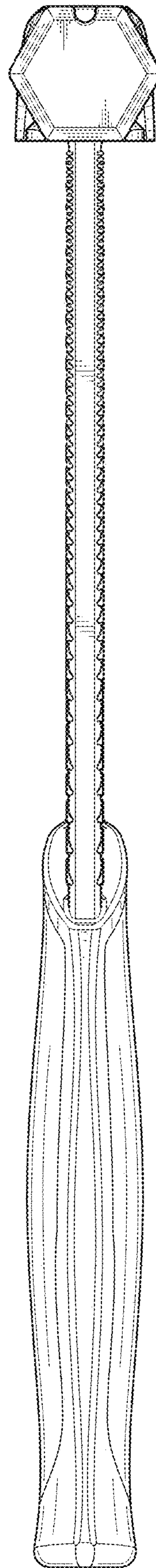


FIG. 4

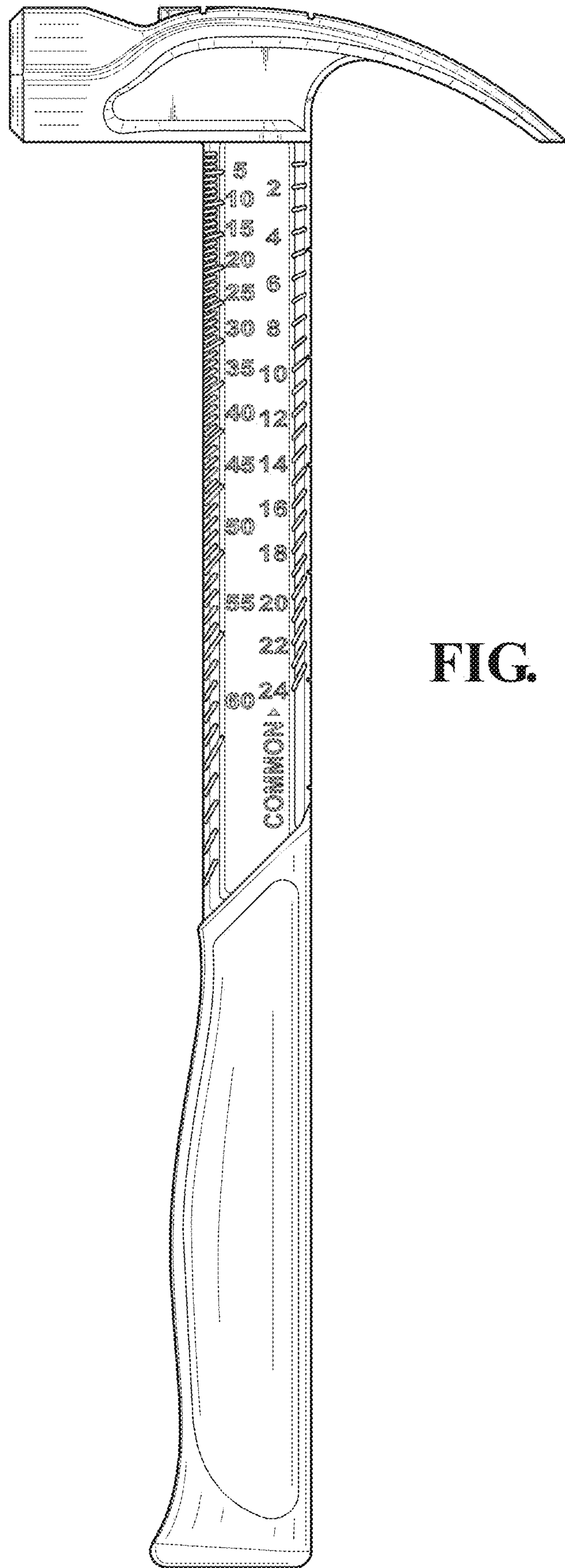


FIG. 5

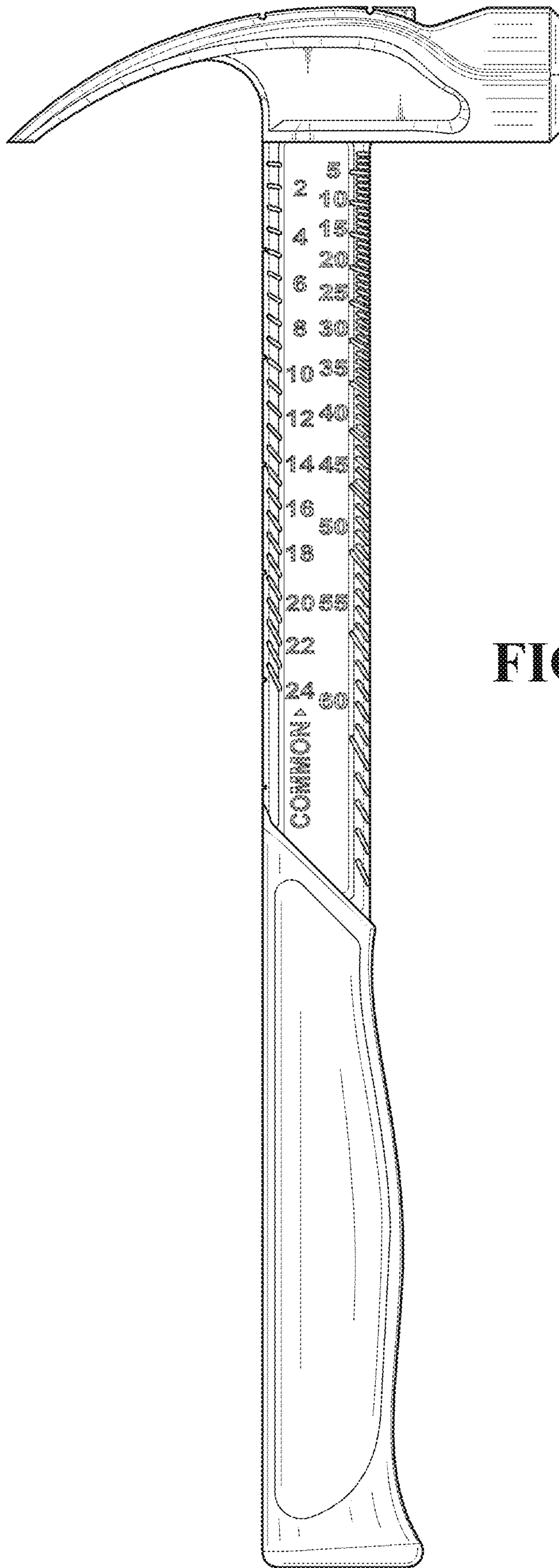


FIG. 6

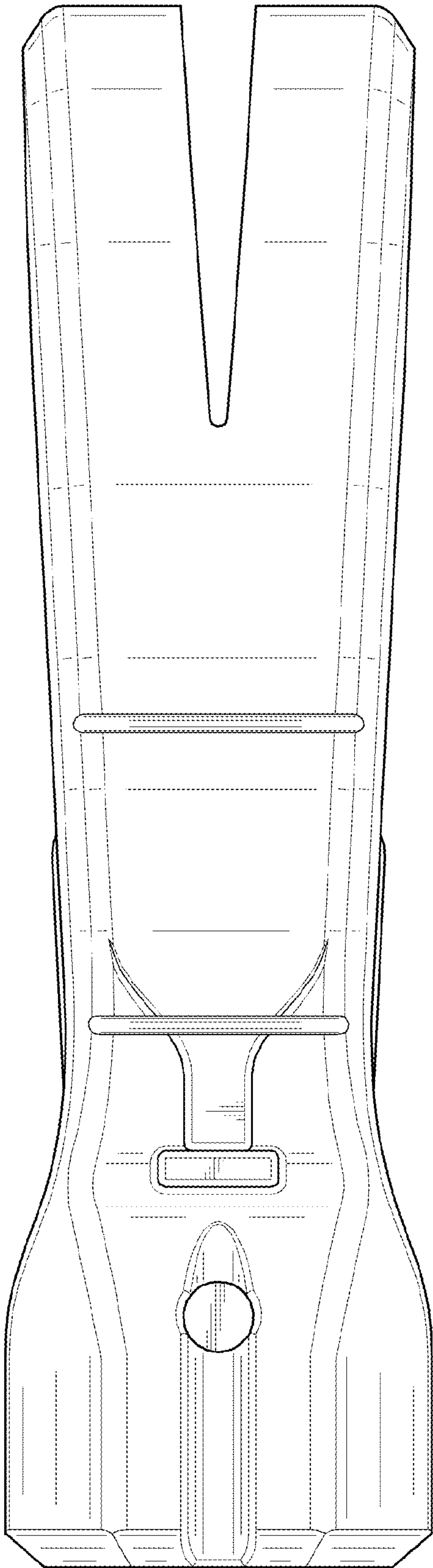


FIG. 7

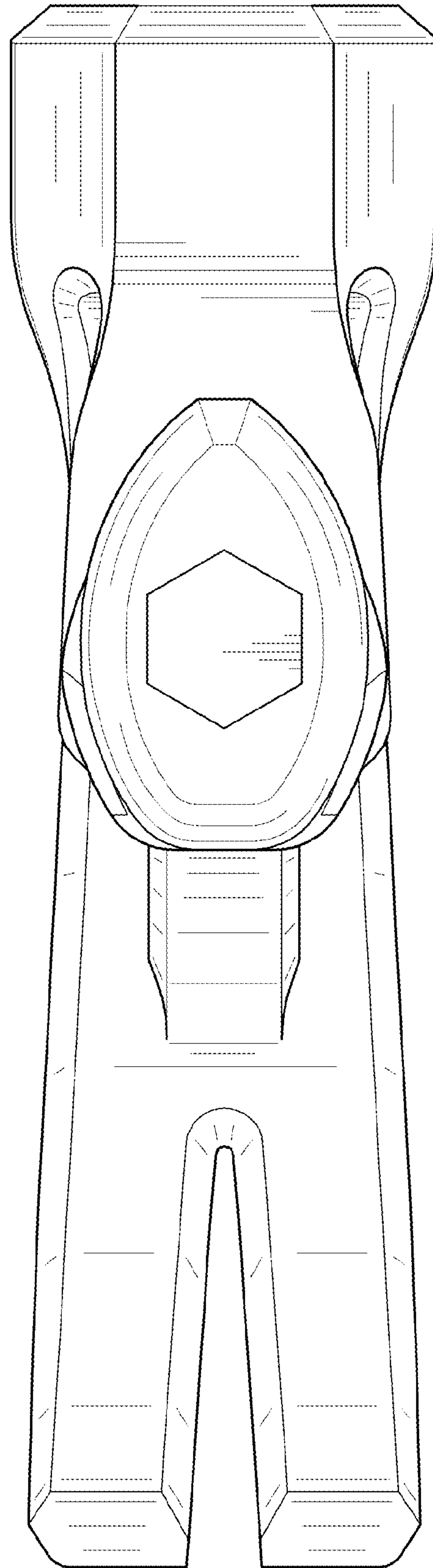


FIG. 8