



US00D910400S

(12) **United States Design Patent**
Lou

(10) **Patent No.:** **US D910,400 S**

(45) **Date of Patent:** **** Feb. 16, 2021**

(54) **GRINDER DUST SHROUD**

(71) Applicant: **YONGKANG MOYI TOOLS CO., LTD.**, Yongkang (CN)

(72) Inventor: **Jun Lou**, Yongkang (CN)

(**) Term: **15 Years**

(21) Appl. No.: **29/704,312**

(22) Filed: **Sep. 4, 2019**

(51) **LOC (13) Cl.** **08-05**

(52) **U.S. Cl.**
USPC **D8/70; D8/62**

(58) **Field of Classification Search**
USPC D13/118, 133, 162, 182, 184, 199;
D15/124, 125, 133, 144.1, 144.2, 150,
D15/199; D23/213; D24/232;
D8/61-71, 90, 363; D32/18, 21, 31
CPC H01L 21/0226; H01L 21/02263; H01L
21/02266; H01L 21/02269; H01L
21/02271; H01L 21/67742; H01L
2221/68363; H01L 2224/75186; H01L
2224/76186; H01J 37/32633; H01J
37/32477; H01J 37/32623; H01J
37/32642; B24B 3/36

See application file for complete search history.

(56) **References Cited**

U.S. PATENT DOCUMENTS

D655,258 S * 3/2012 Honma D13/182
D671,901 S * 12/2012 Angelov D13/182
D711,331 S * 8/2014 Lau D13/182
D719,593 S * 12/2014 Inkster D15/139

D815,160 S * 4/2018 Neubauer D15/126
D898,786 S * 10/2020 Chae D15/140
2009/0181605 A1* 7/2009 Loveless B24B 55/102
451/456
2009/0186559 A1* 7/2009 Loveless B24B 55/10
451/28
2010/0285729 A1* 11/2010 Loveless B24B 55/04
451/456
2018/0326555 A1* 11/2018 Moller B24B 55/04

* cited by examiner

Primary Examiner — Michael C Stout
Assistant Examiner — Fritzgerald L Butac
(74) *Attorney, Agent, or Firm* — ZANIP

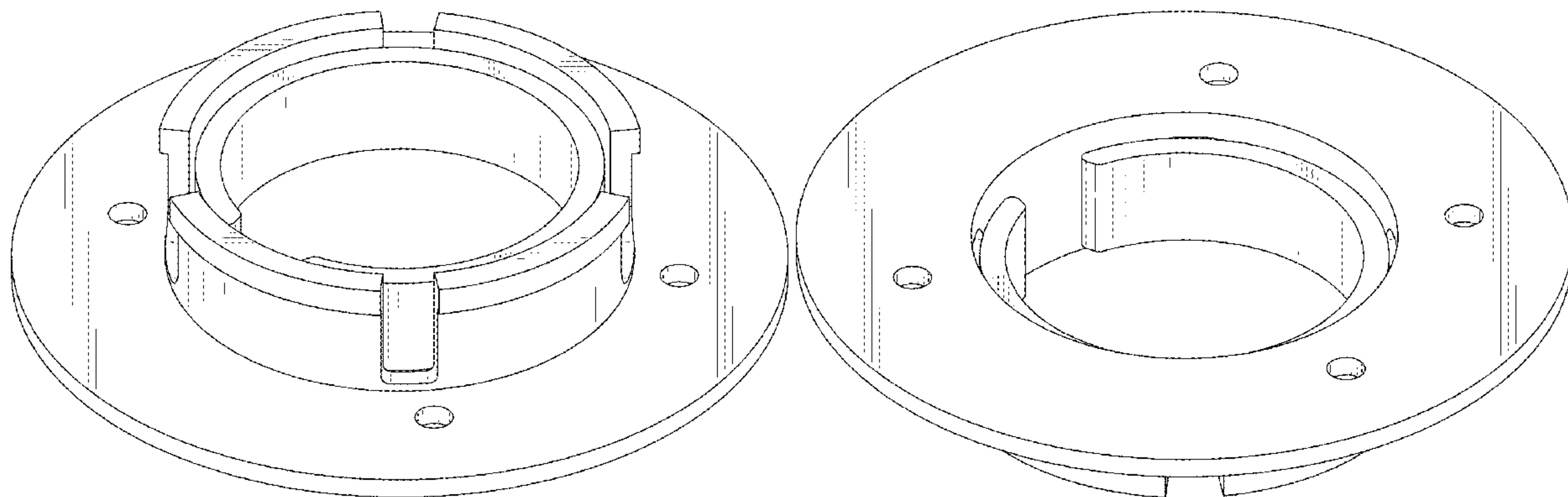
(57) **CLAIM**

The ornamental design for a grinder dust shroud, as shown and described.

DESCRIPTION

FIG. 1 is a front and top perspective view of a grinder dust shroud, showing my new design;
FIG. 2 is a rear and bottom perspective view thereof;
FIG. 3 is a right side elevation view thereof;
FIG. 4 is a left side elevation view thereof;
FIG. 5 is a rear elevation view thereof;
FIG. 6 is a front elevation view thereof;
FIG. 7 is a top plan view thereof;
FIG. 8 is a bottom plan view thereof; and,
FIG. 9 is a perspective view of the grinder dust shroud mounted on a grinder.
The broken lines in FIG. 9 are for the purpose of showing environmental structure, and form no part of the claimed design.

1 Claim, 9 Drawing Sheets



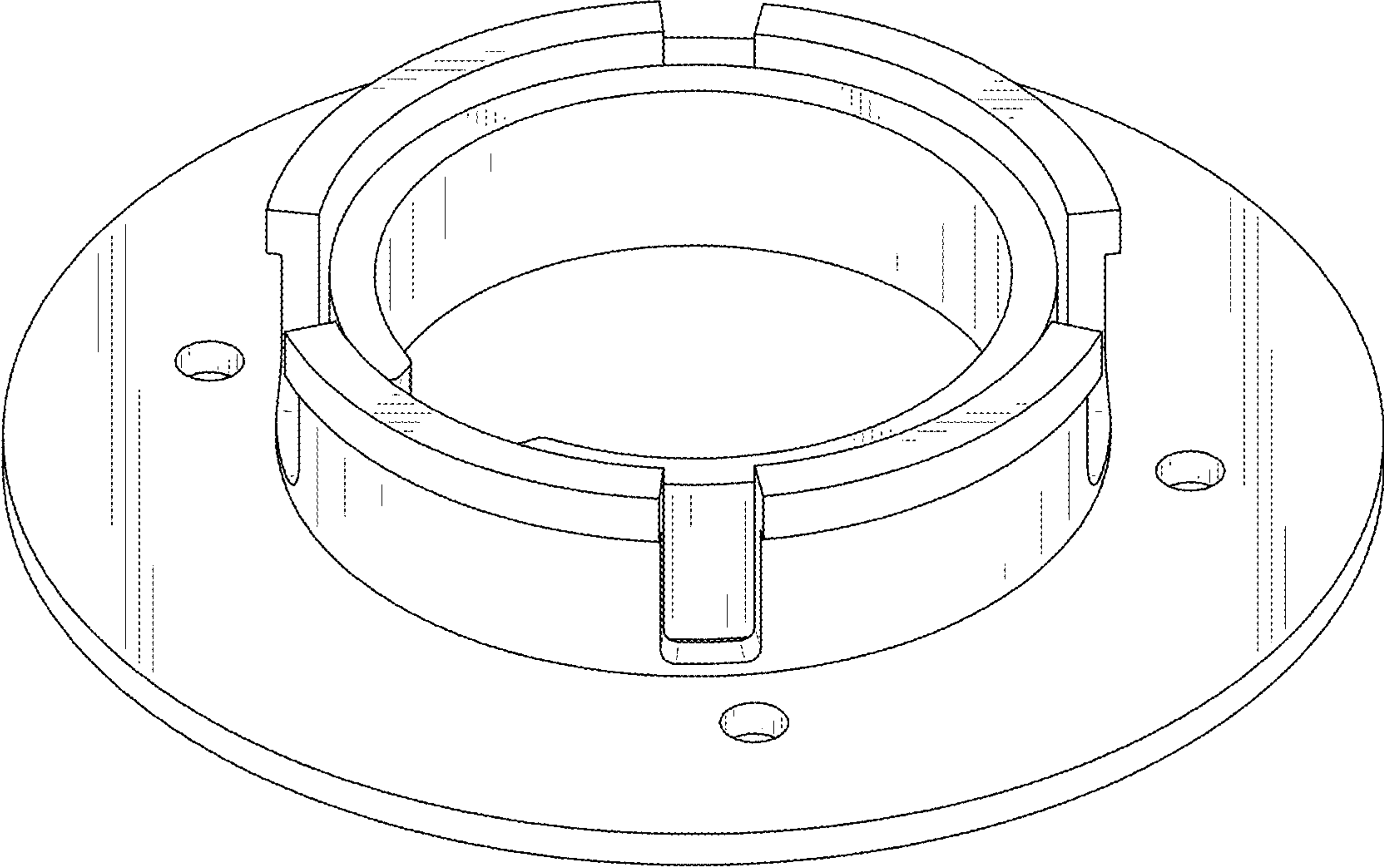


FIG. 1

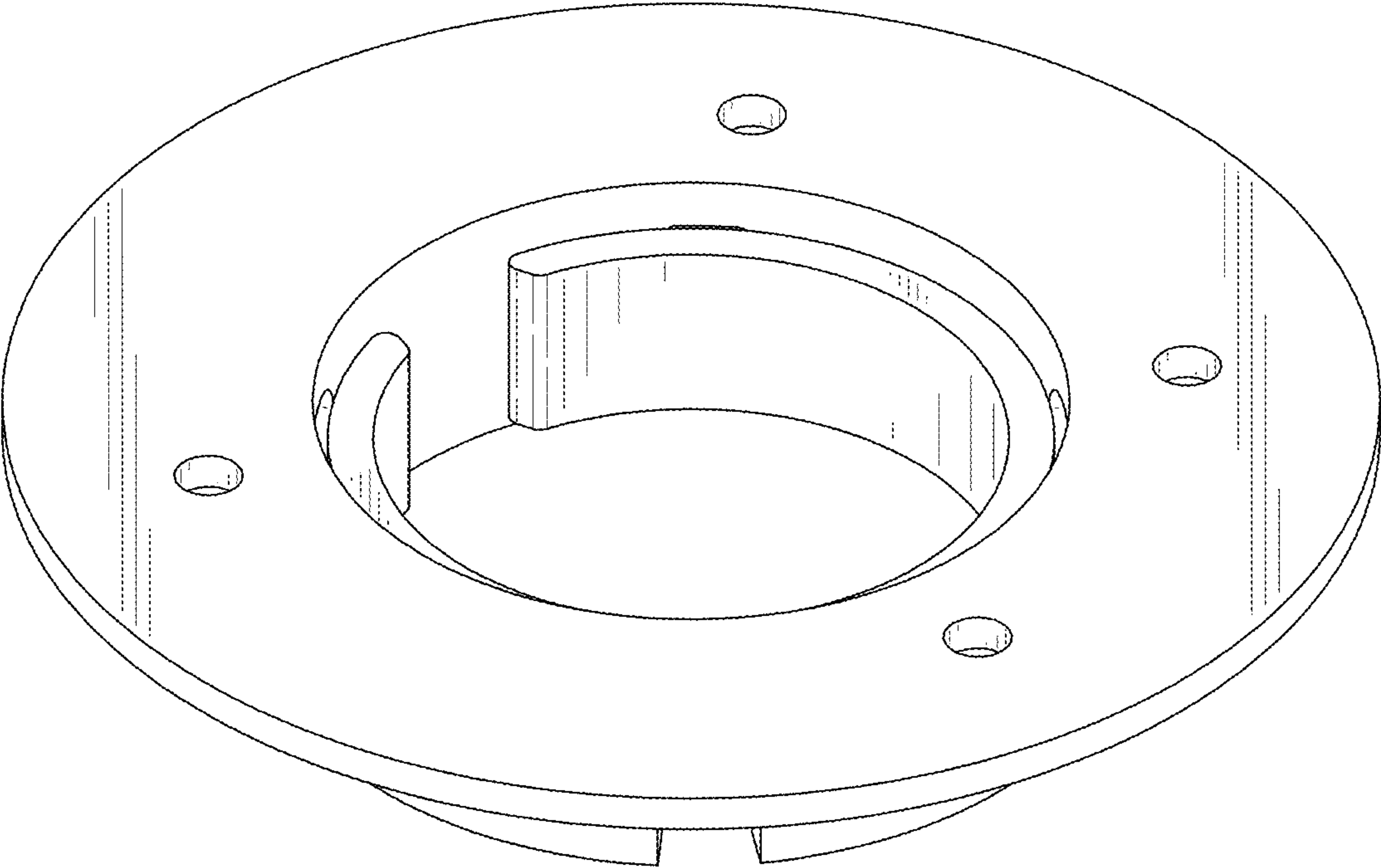


FIG. 2

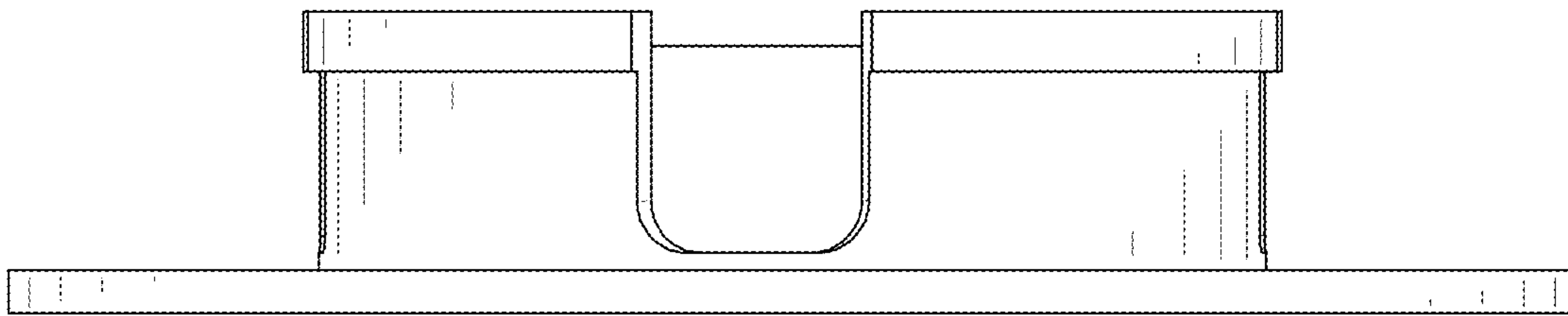


FIG. 3

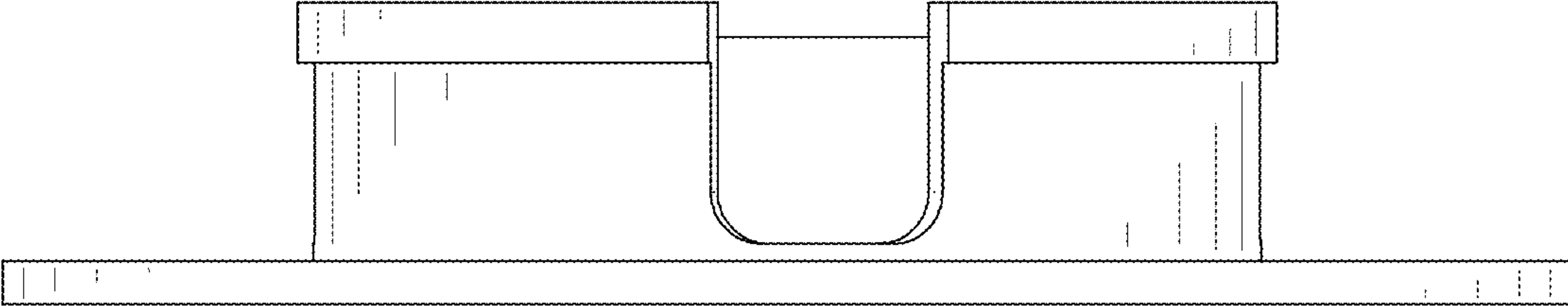


FIG. 4

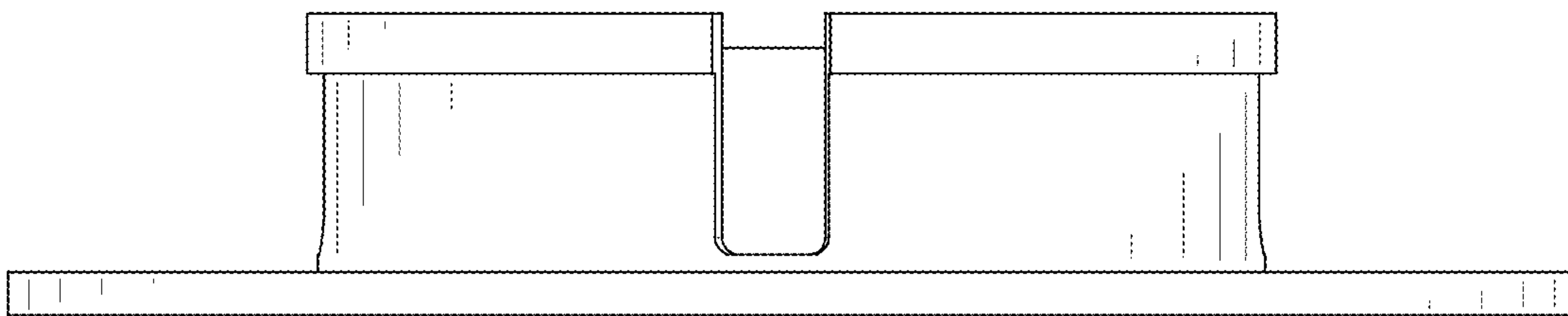


FIG. 5

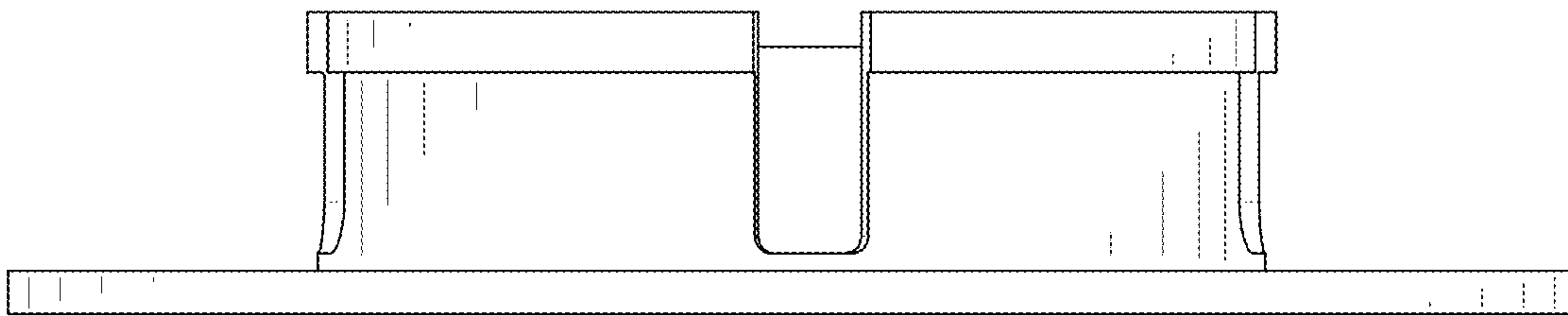


FIG. 6

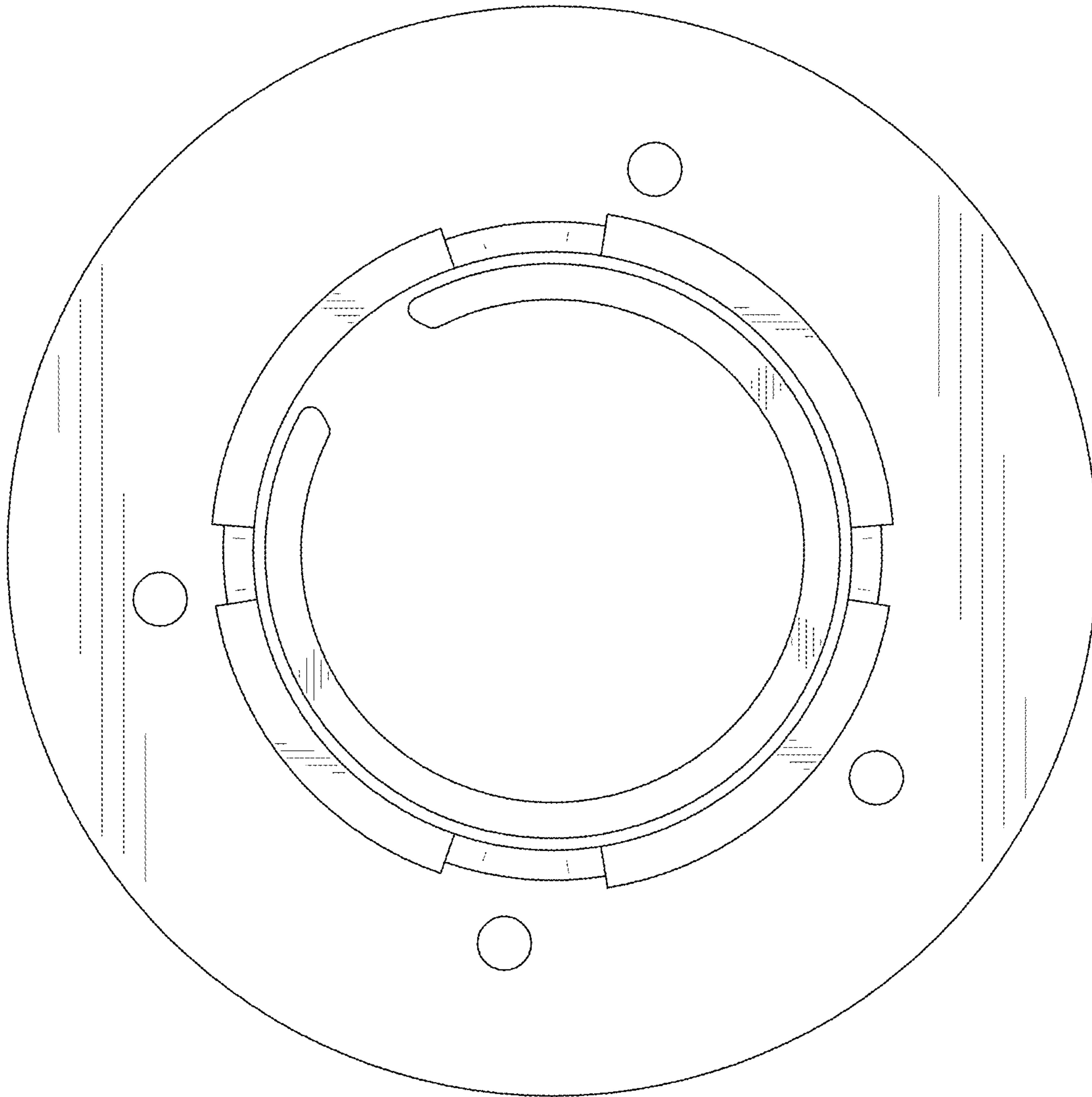


FIG. 7

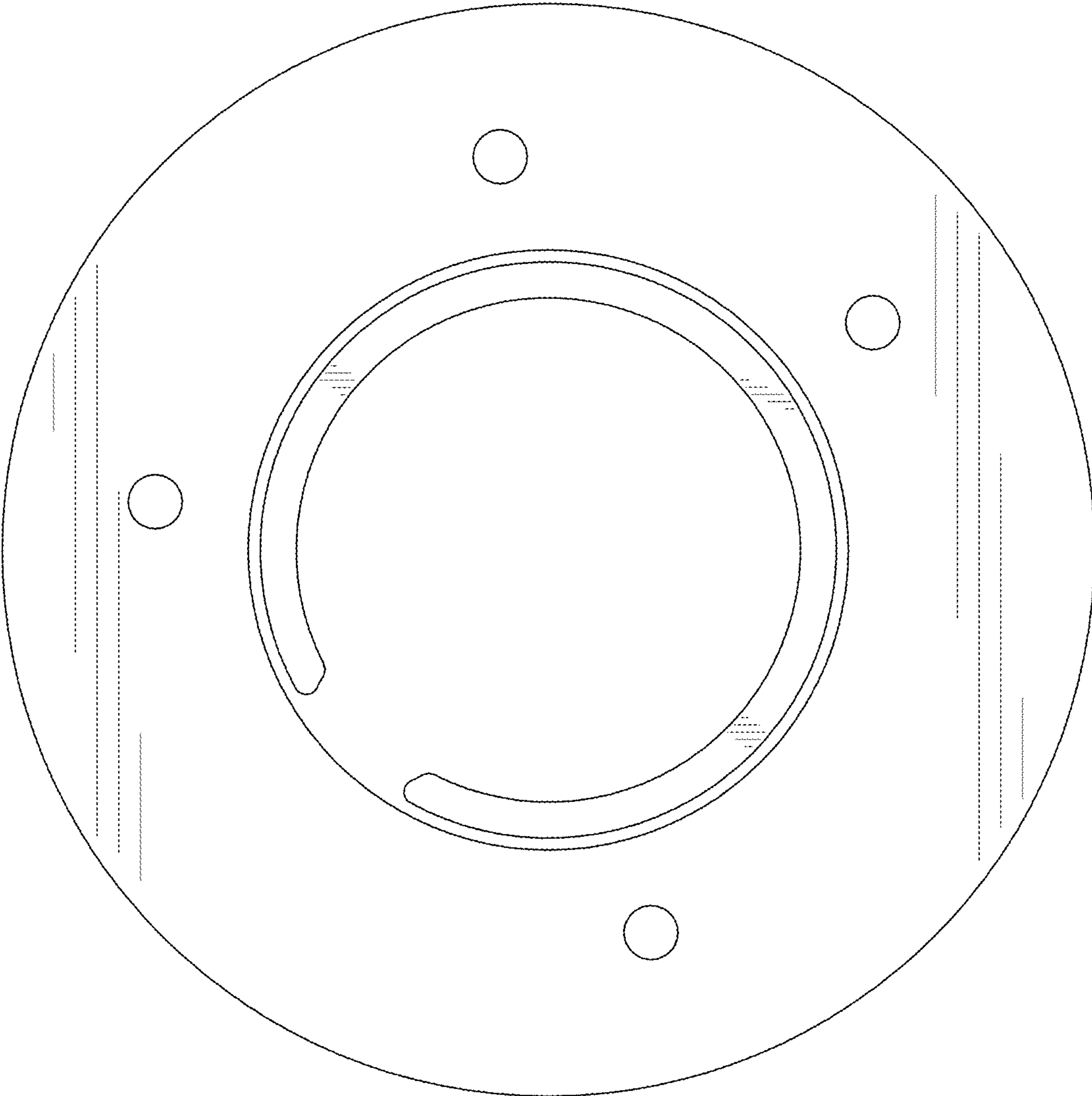


FIG. 8

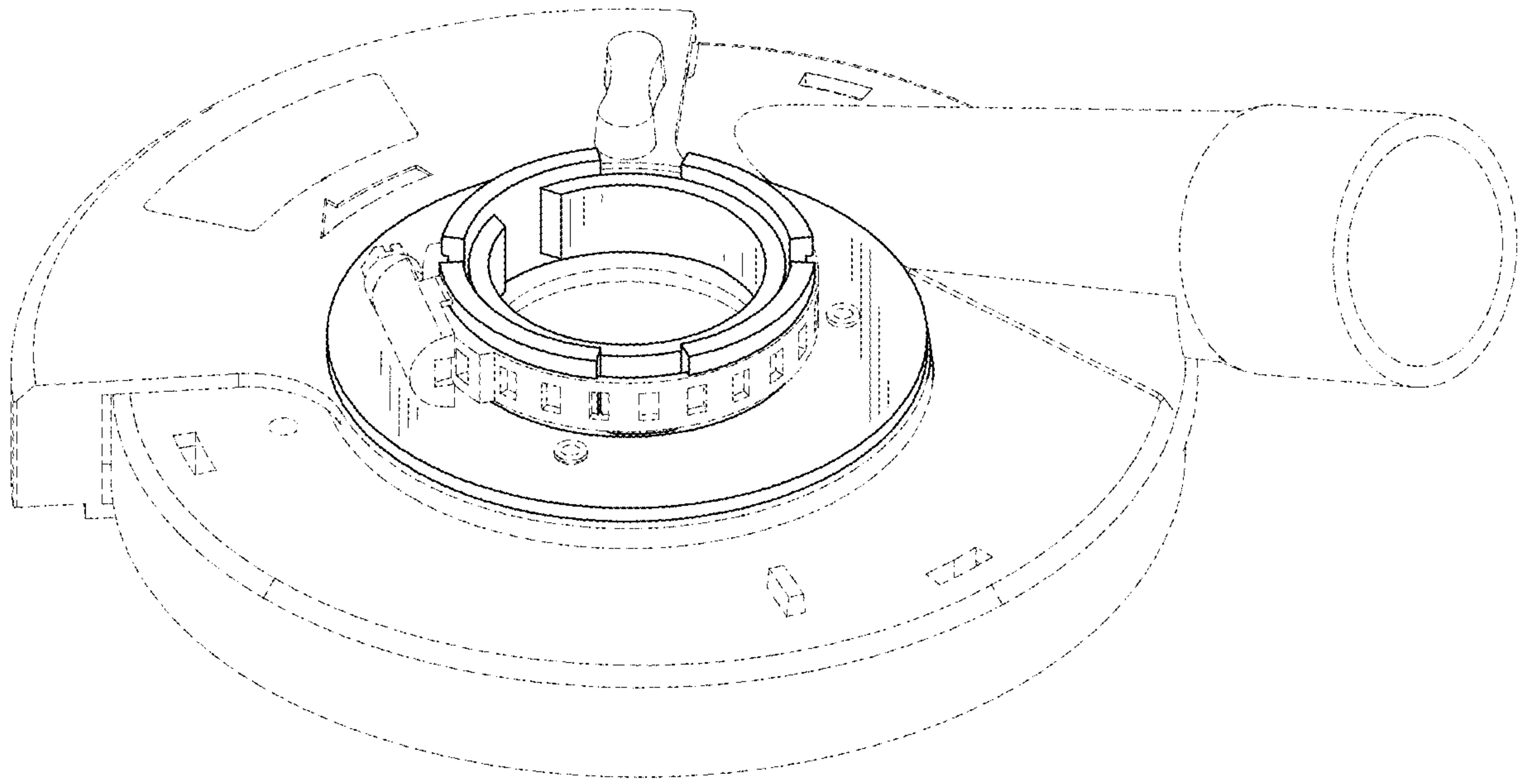


FIG. 9