



US00D910399S

(12) **United States Design Patent** (10) **Patent No.:** **US D910,399 S**
Matei (45) **Date of Patent:** **** Feb. 16, 2021**

- (54) **DISPLAY SCREEN FOR HAND TOOL**
- (71) Applicant: **ROBBOX INC.**, Richmond (CA)
- (72) Inventor: **Andrei Matei**, Coquitlam (CA)
- (73) Assignee: **ROBBOX INC.**, Richmond (CA)
- (**) Term: **15 Years**
- (21) Appl. No.: **29/663,724**
- (22) Filed: **Sep. 18, 2018**
- (51) **LOC (13) Cl.** **08-05**
- (52) **U.S. Cl.**
 USPC **D8/70; D8/68**
- (58) **Field of Classification Search**
 USPC D8/61, 67, 68
 CPC . B21J 15/043; B21J 15/22; B21J 15/36; B21J
 15/326
 See application file for complete search history.

- D622,997 S * 9/2010 Wynalda, Jr. D6/632
 D641,579 S * 7/2011 Wynalda, Jr. D6/407
 D642,414 S * 8/2011 Wynalda, Jr. D6/407

(Continued)

Primary Examiner — Darlington Ly
 (74) *Attorney, Agent, or Firm* — Oblon, McClelland,
 Maier & Neustadt, L.L.P.

(57) **CLAIM**

The ornamental design for a display screen for hand tool, as shown and described.

DESCRIPTION

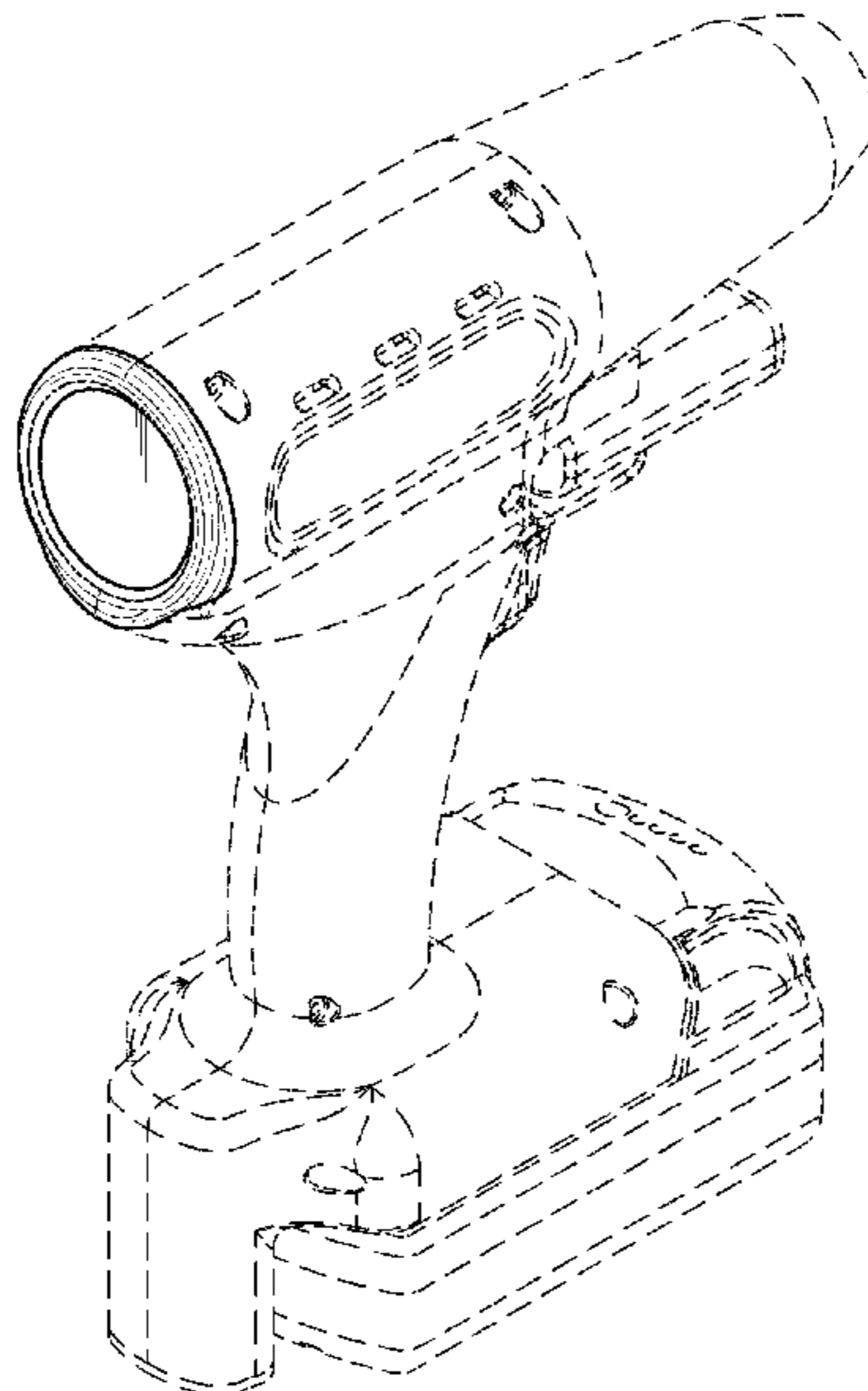
FIG. 1 is a front perspective view of a display screen for hand tool embodying my new design as mounted onto an exemplary power drill;
 FIG. 2 is a rear perspective view thereof;
 FIG. 3 is a left side elevation view thereof;
 FIG. 4 is a right side elevation view thereof;
 FIG. 5 is a front elevation view thereof;
 FIG. 6 is a rear elevation view thereof;
 FIG. 7 is a top plan view thereof; and
 FIG. 8 is a bottom plan view thereof.
 FIG. 9 is a front perspective view of the display screen for hand tool as mounted onto an exemplary power hand tool;
 FIG. 10 is a left side elevation view thereof;
 FIG. 11 is a right side elevation view thereof;
 FIG. 12 is a rear elevation view thereof;
 FIG. 13 is a front elevation view thereof;
 FIG. 14 is a top plan view thereof; and,
 FIG. 15 is a bottom plan view thereof.
 The display screen for hand tool is useful for displaying information to a user of the hand tool.
 The broken line showings of the drill in FIGS. 1-8 and the hand tool in FIGS. 9-15 are provided for the purposes of illustrating exemplary environmental structure in which the display screen article may be mounted onto. Neither the broken line showings of the drill nor the hand tool are part of the claimed design.

(56) **References Cited**

U.S. PATENT DOCUMENTS

- D198,230 S * 5/1964 Babel D8/68
 D201,153 S * 5/1965 Douglas D8/68
 D205,631 S * 8/1966 Averitt et al. D8/68
 D241,705 S * 10/1976 Kotone D8/68
 D298,207 S * 10/1988 Kilmer D8/68
 D332,736 S * 1/1993 Mikiya D8/68
 D333,078 S * 2/1993 Mikiya D8/68
 D333,079 S * 2/1993 Mikiya D8/68
 D335,250 S * 5/1993 Rosier D8/68
 D338,204 S * 8/1993 Takao D14/226
 D340,732 S * 10/1993 Sano D16/202
 D350,754 S * 9/1994 Sasago D14/503
 D357,331 S * 4/1995 Yeh D26/106
 D364,196 S * 11/1995 Hodson D21/443
 D386,221 S * 11/1997 Ybanez D21/443
 D387,817 S * 12/1997 Noyes D21/443
 D403,938 S * 1/1999 Matsuoka D8/68
 D408,249 S * 4/1999 Fallandy D8/68

1 Claim, 11 Drawing Sheets



(56)

References Cited

U.S. PATENT DOCUMENTS

D646,917 S	*	10/2011	Wynalda, Jr.	D6/627
D646,918 S	*	10/2011	Wynalda, Jr.	D6/407
D666,940 S	*	9/2012	Dunn	D11/184
D672,331 S	*	12/2012	Kanou	D14/157
D680,280 S	*	4/2013	Nielsen	D30/160
D683,516 S	*	6/2013	Elias	D1/106
D689,486 S	*	9/2013	O'Donnell	D14/217
D700,313 S	*	2/2014	Coryell	D23/415
D704,696 S	*	5/2014	Kimura	D14/258
D743,215 S	*	11/2015	Hertaus	D7/600.4

* cited by examiner

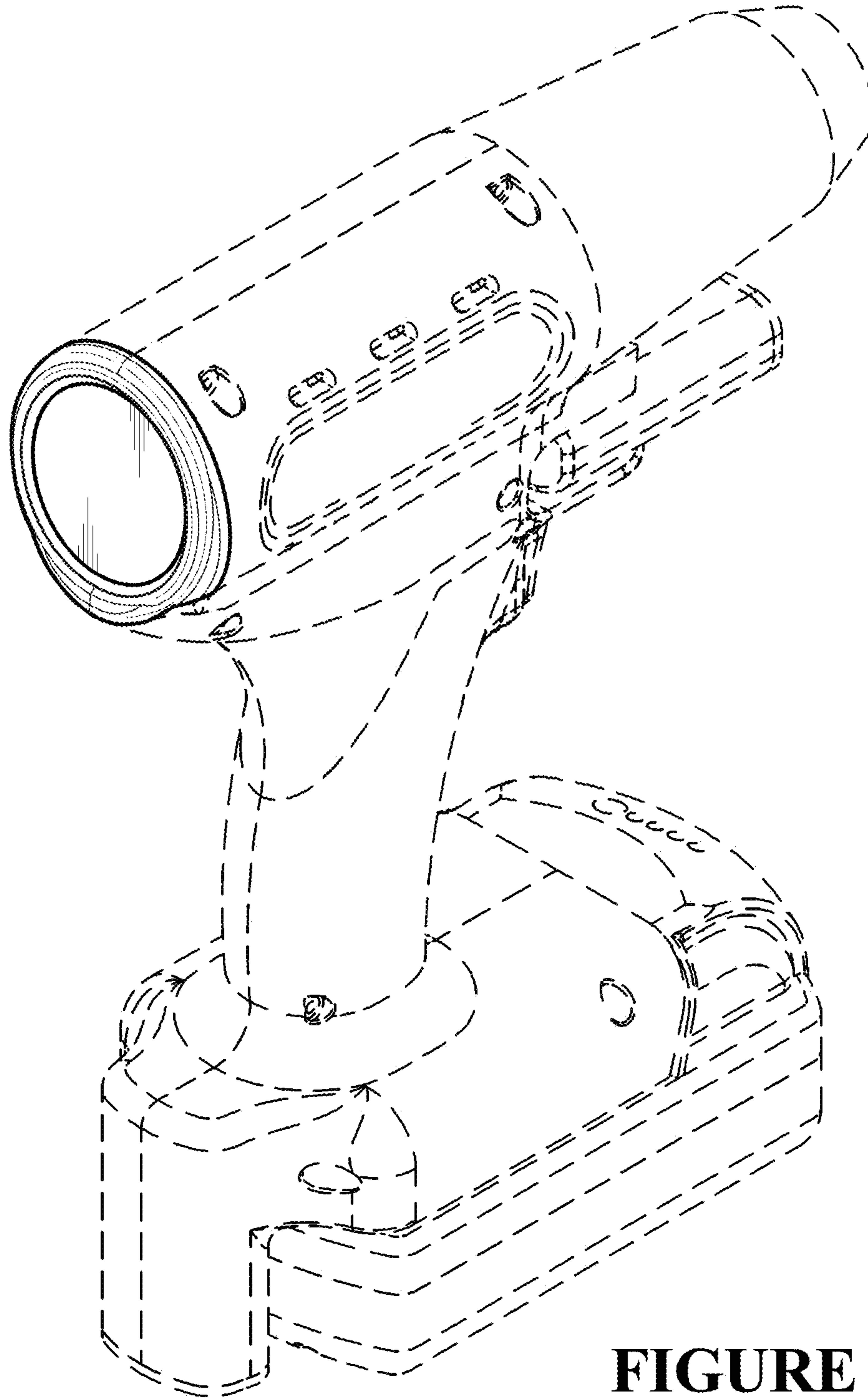


FIGURE 1

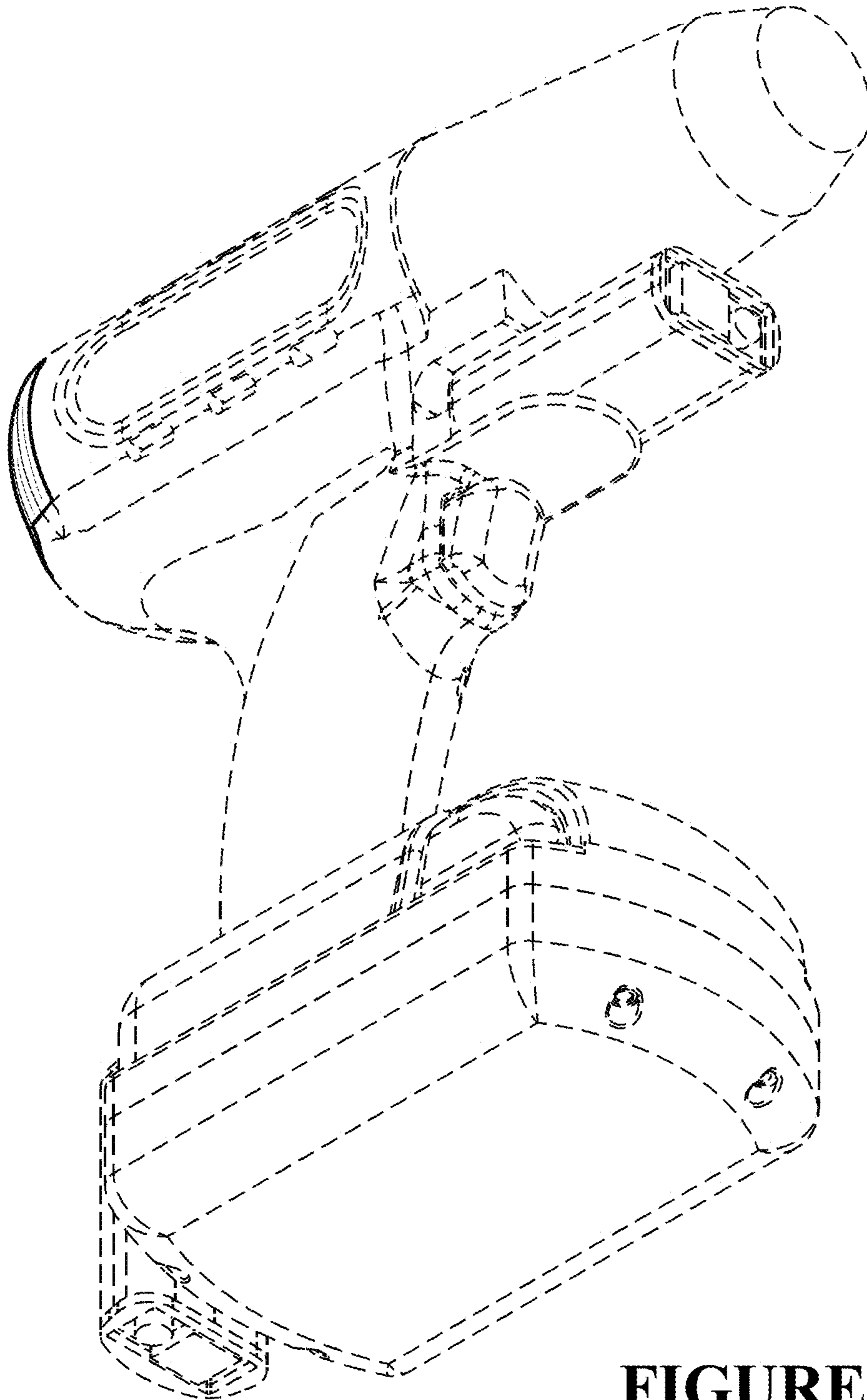


FIGURE 2

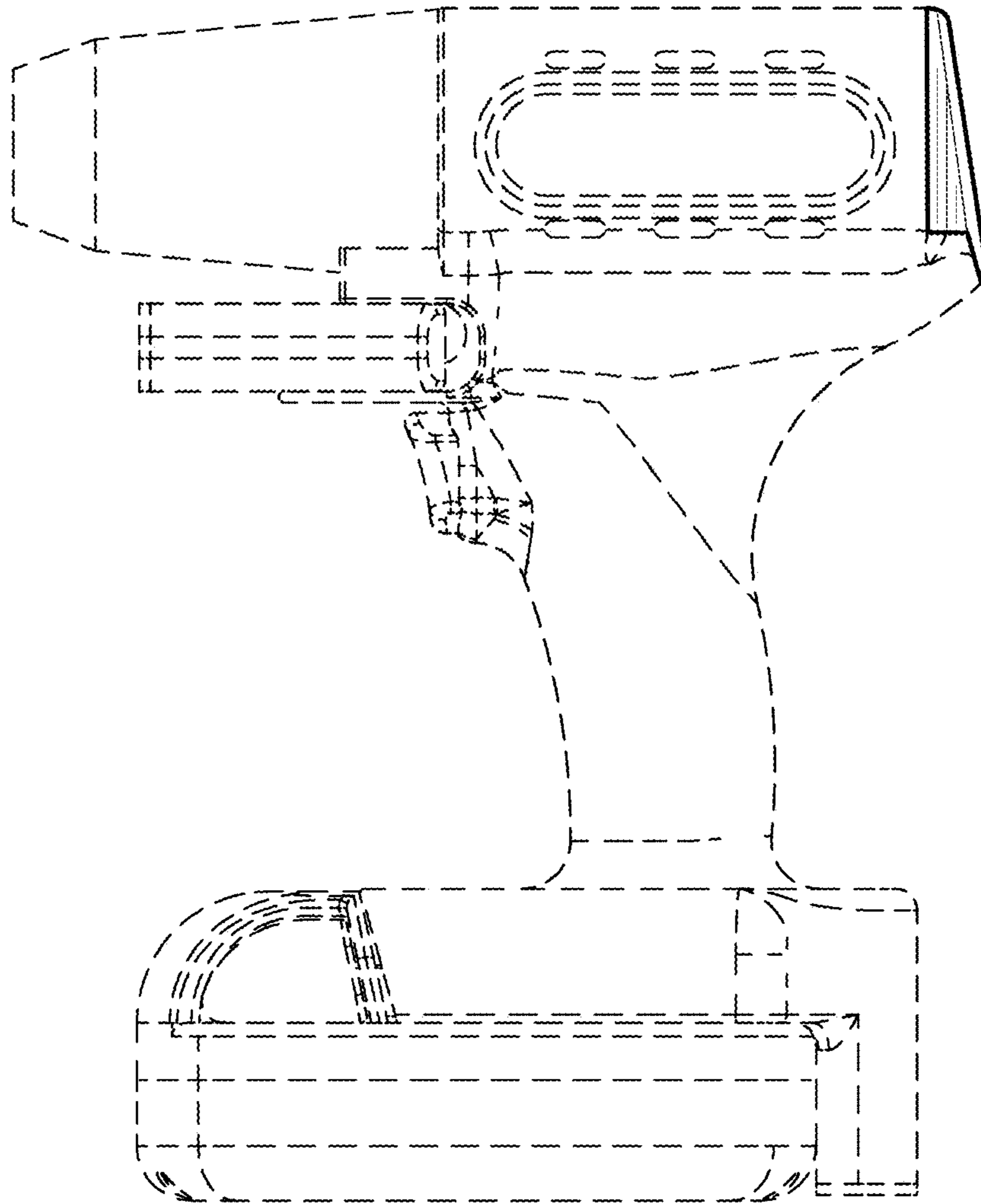


FIGURE 3

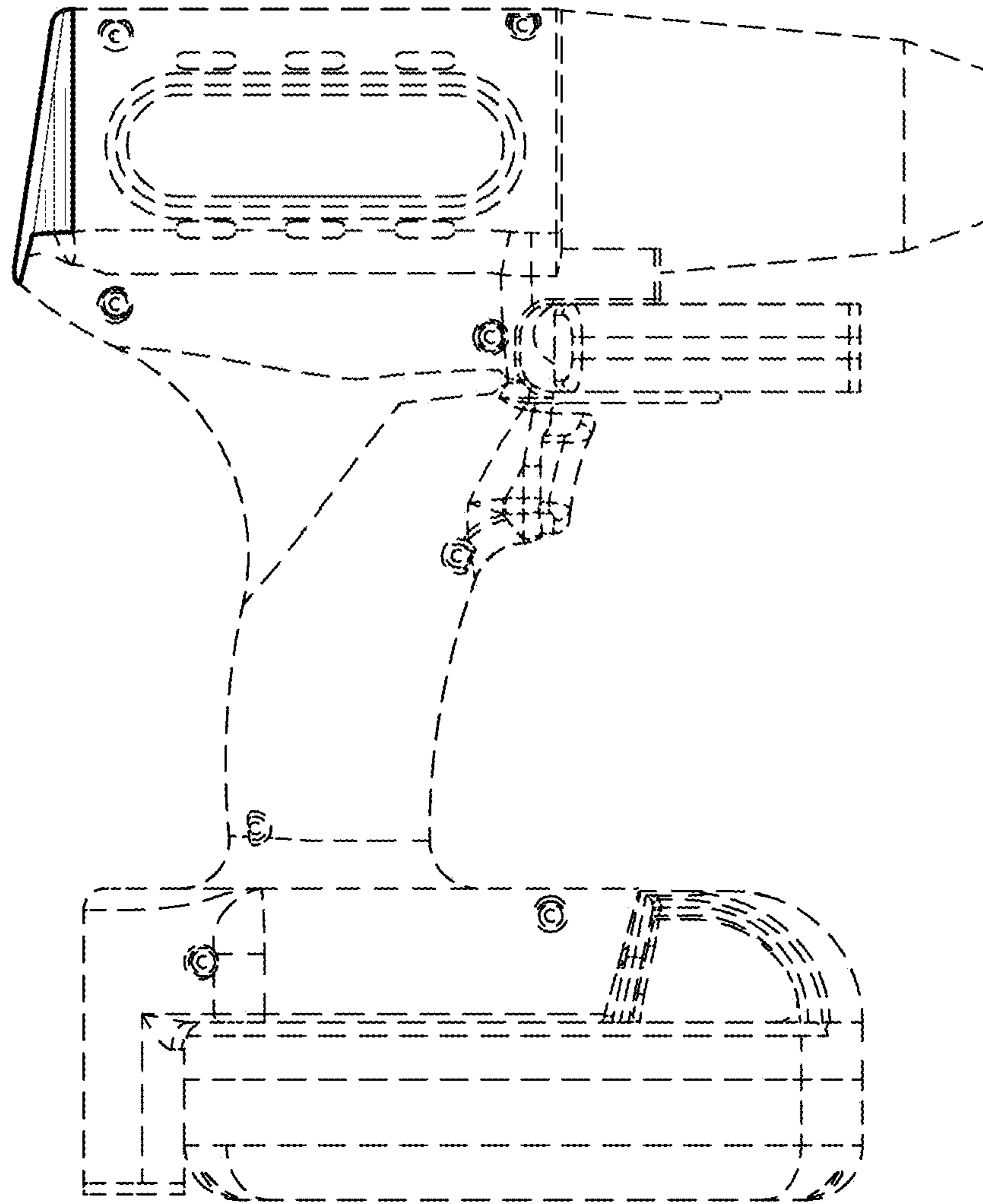


FIGURE 4

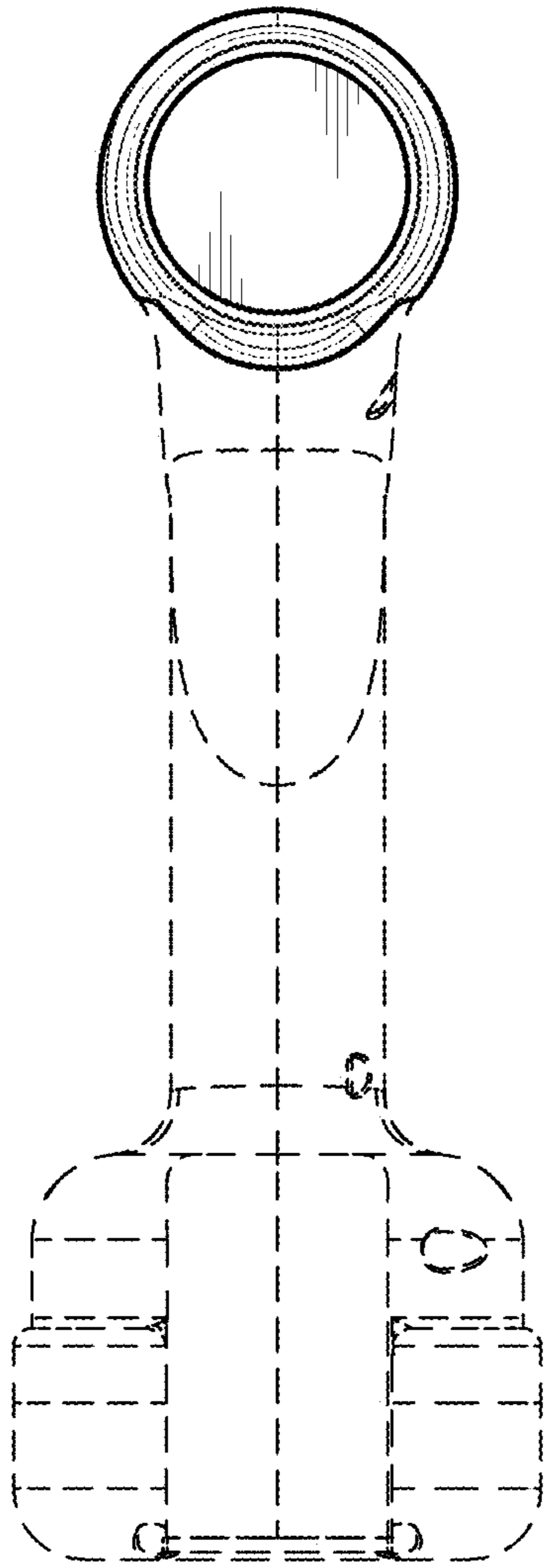


FIGURE 5

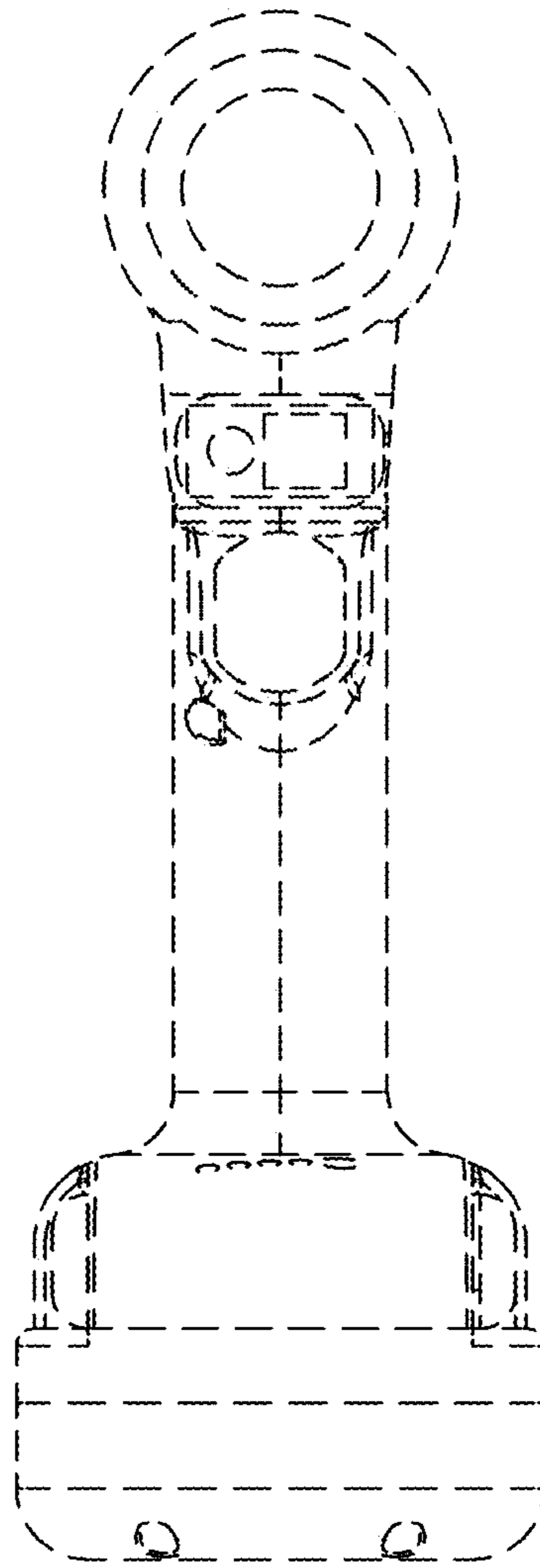


FIGURE 6

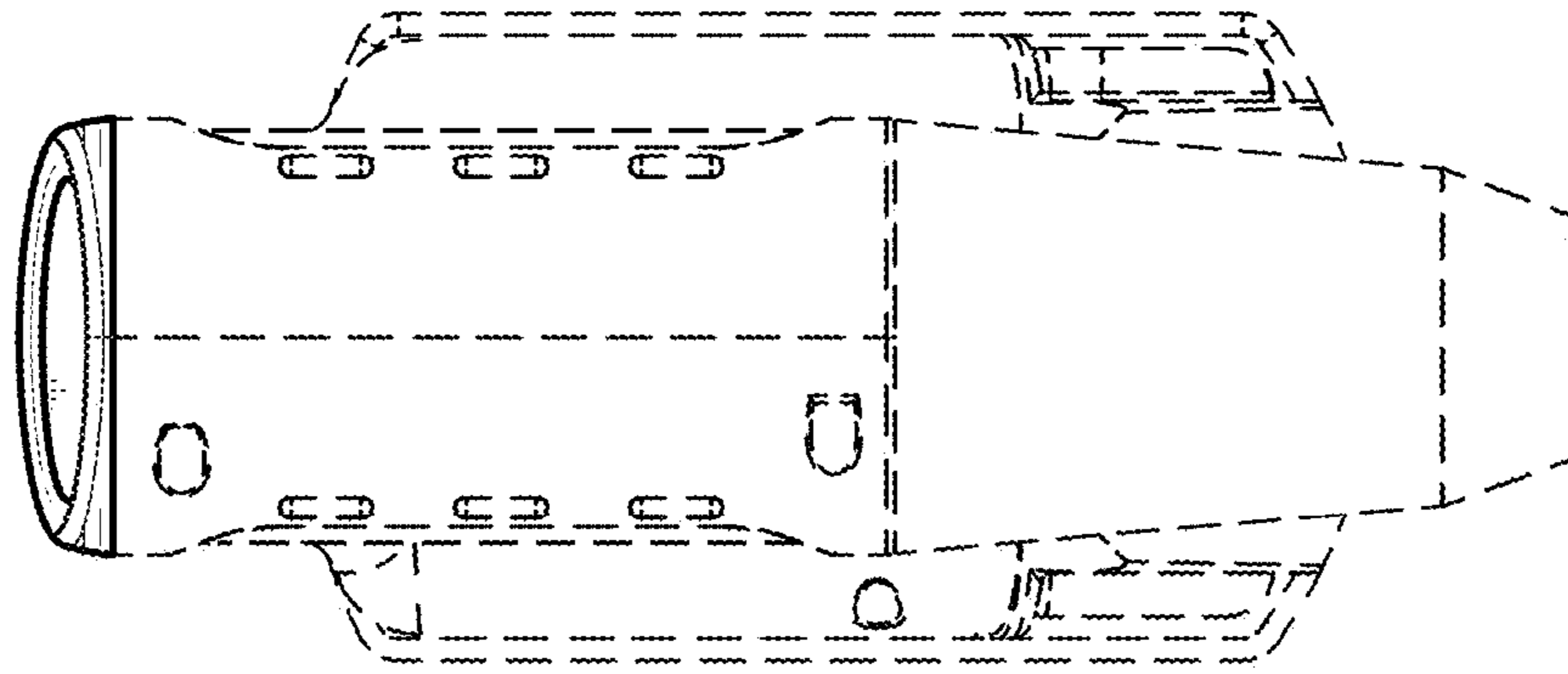


FIGURE 7



FIGURE 8

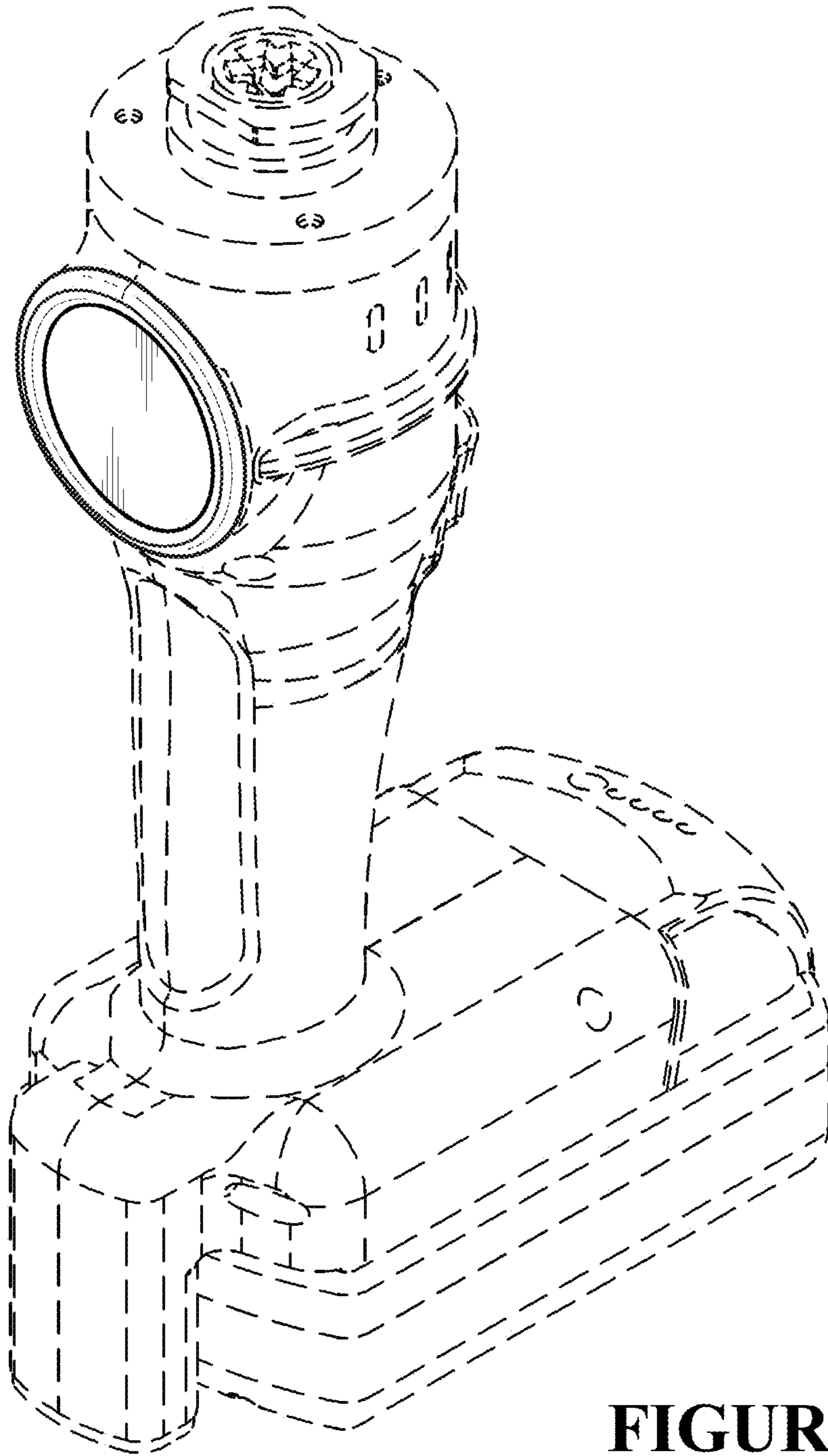


FIGURE 9

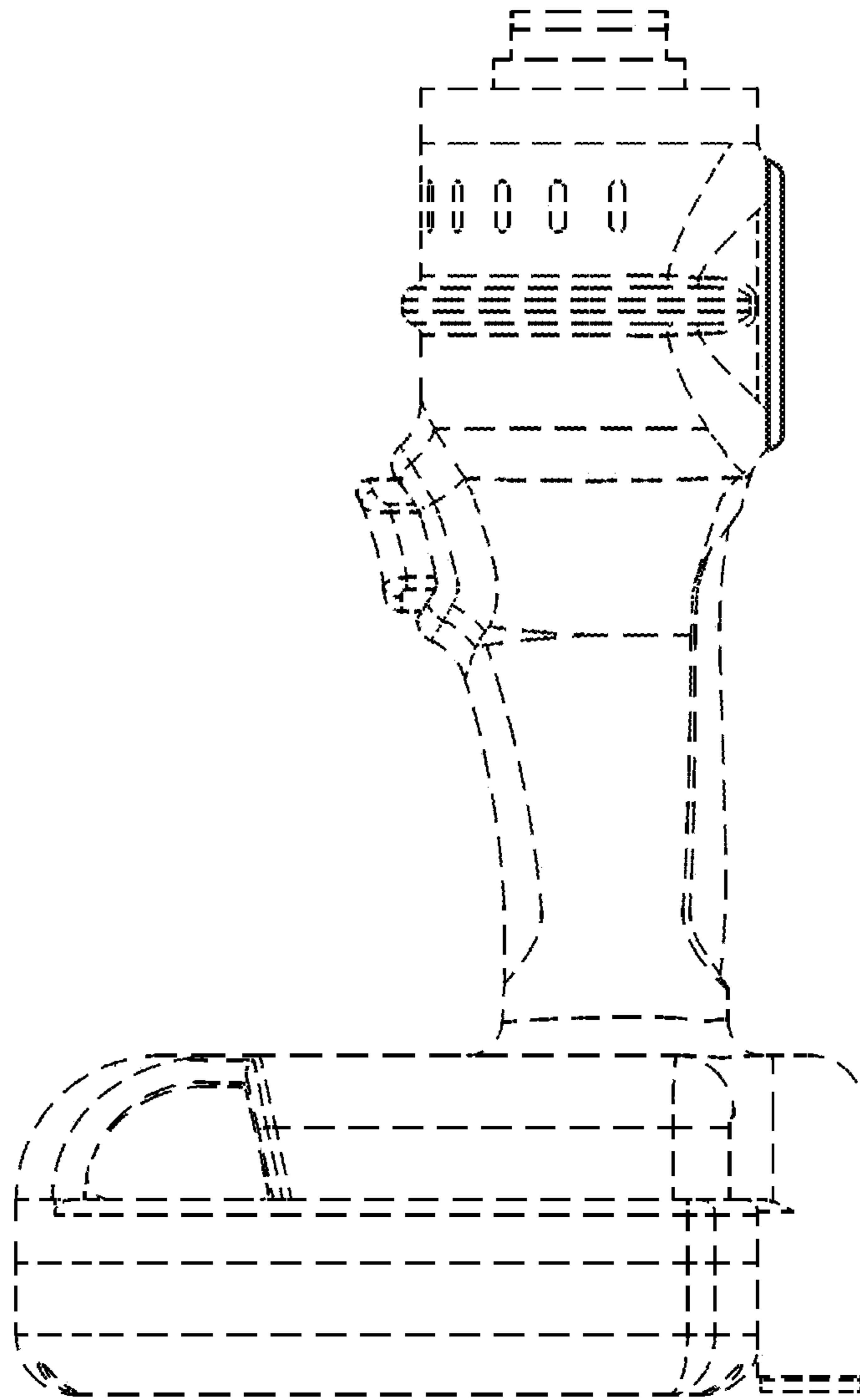


FIGURE 10

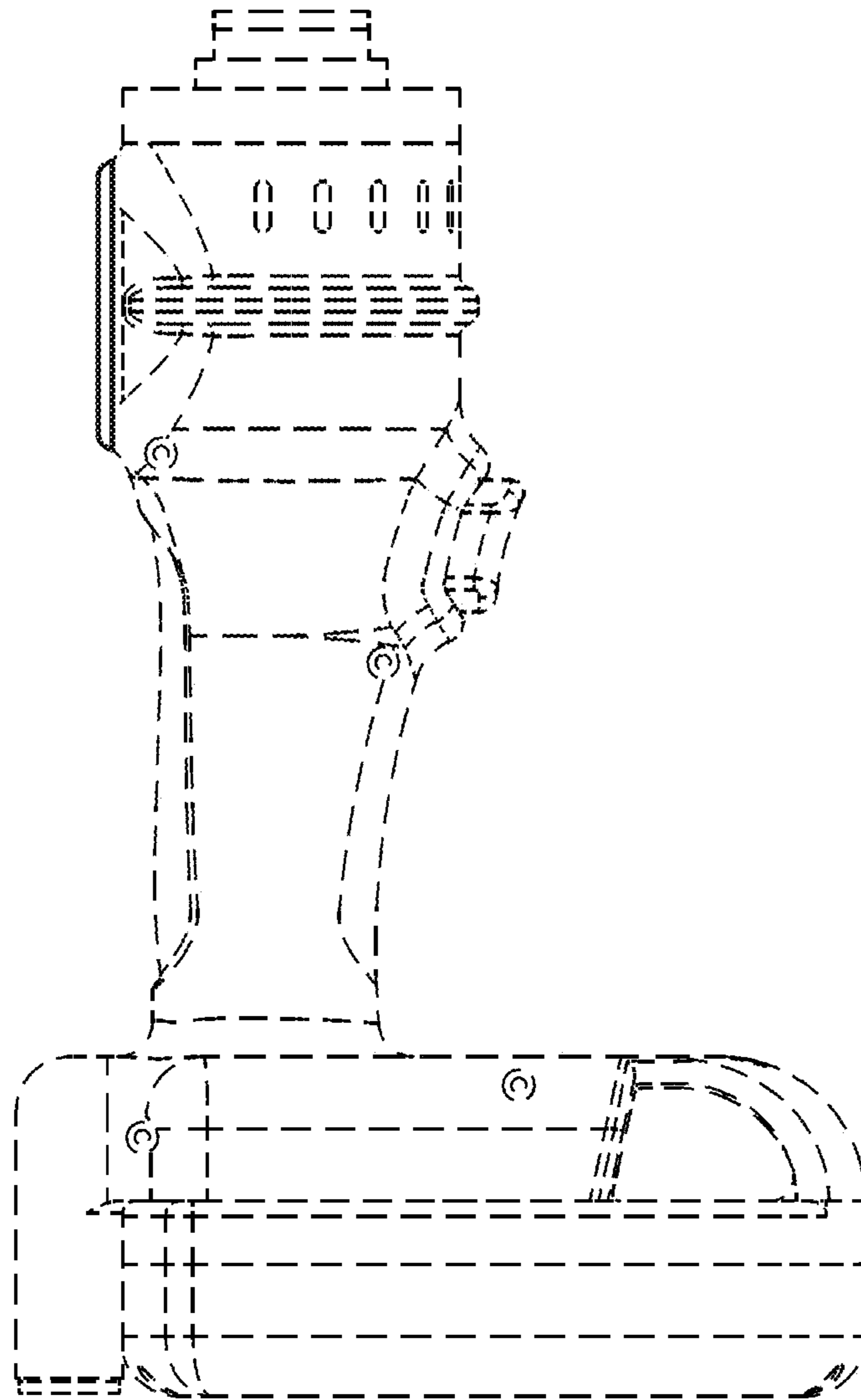


FIGURE 11

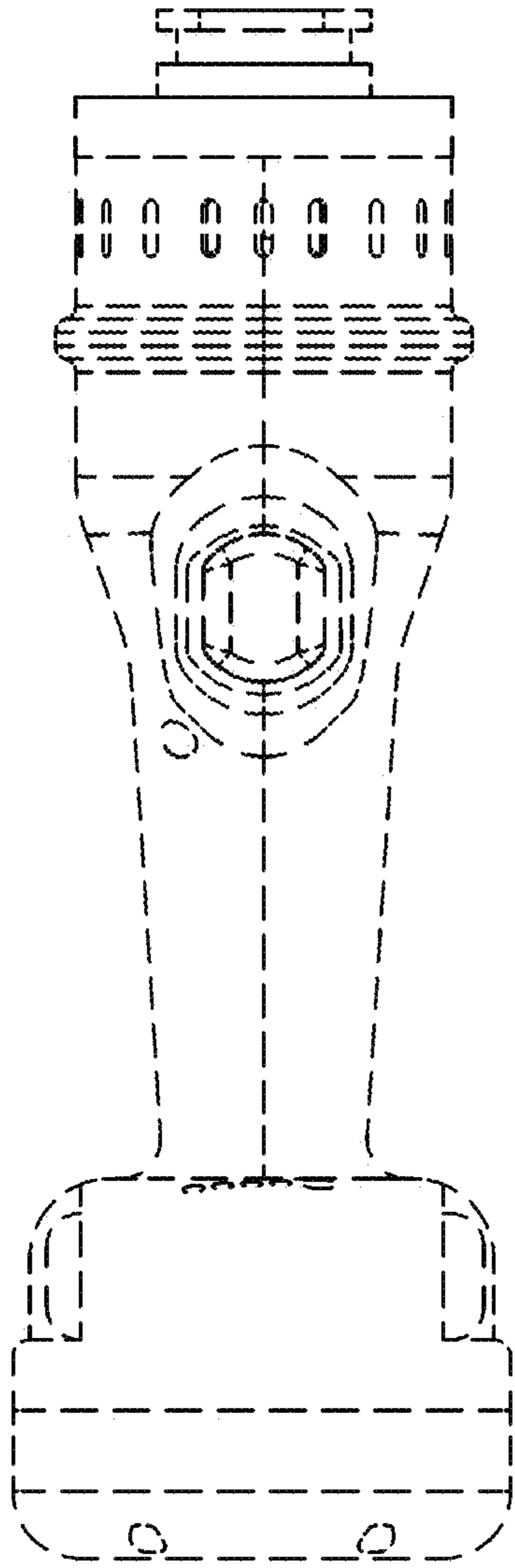


FIGURE 12

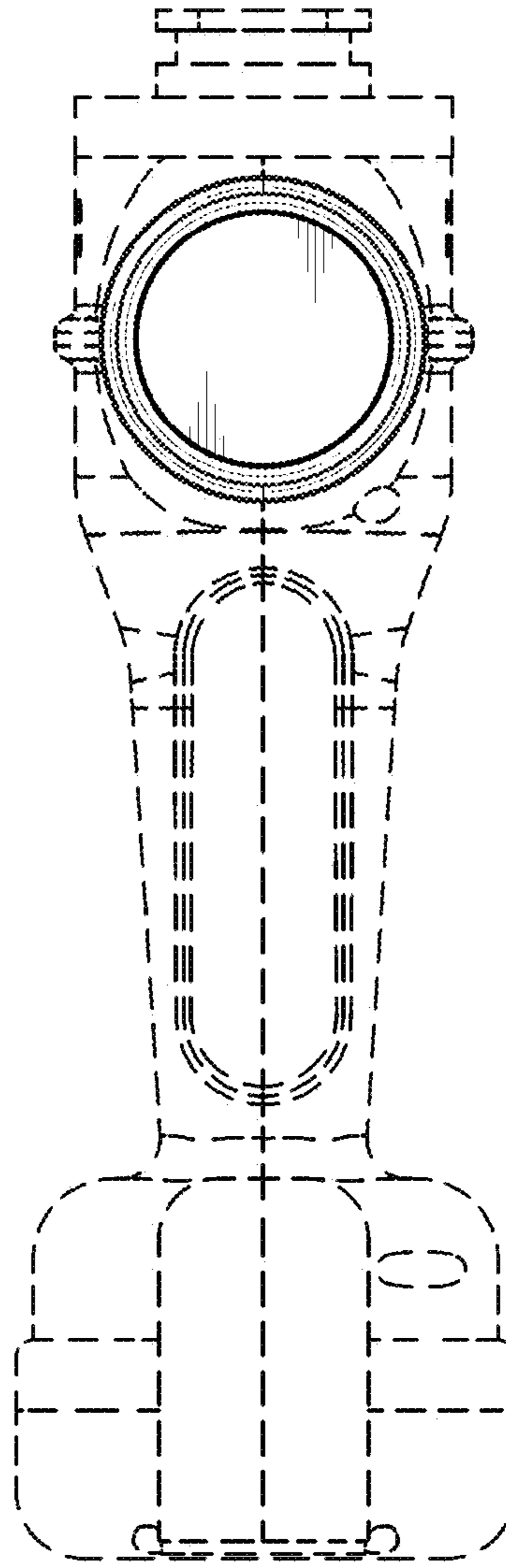


FIGURE 13

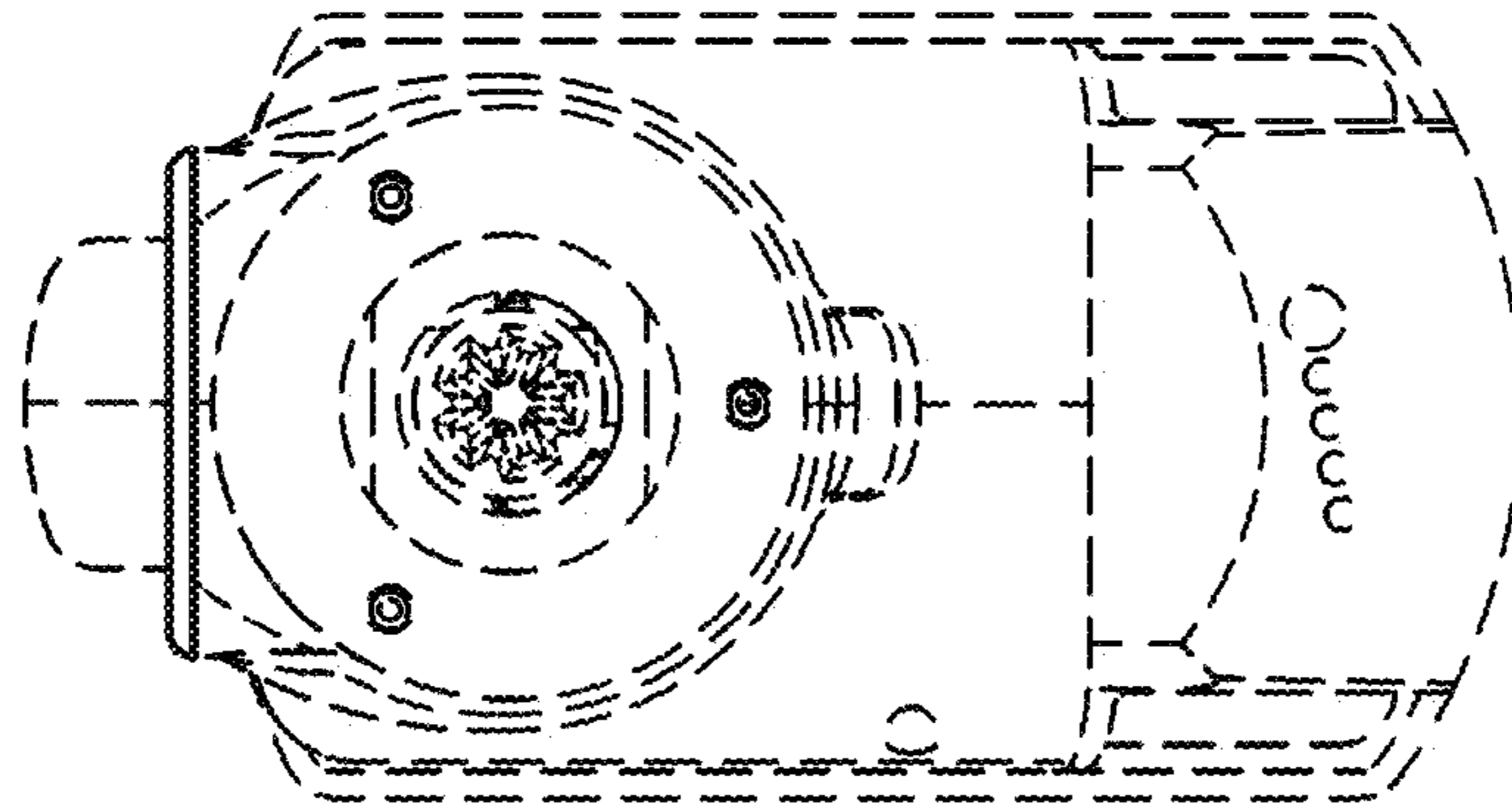


FIGURE 14



FIGURE 15