



US00D910397S

(12) **United States Design Patent**
Zhong et al.

(10) **Patent No.:** **US D910,397 S**

(45) **Date of Patent:** **** Feb. 16, 2021**

(54) **SANDER**

(71) Applicant: **Shenzhen Aukeyhi Technology Co., Ltd.**, Shenzhen (CN)

(72) Inventors: **Xiaomin Zhong**, Shenzhen (CN);
Huiyue Ze, Shenzhen (CN)

(73) Assignee: **Shenzhen Aukeyhi Technology Co., Ltd.**, Shenzhen (CN)

(**) Term: **15 Years**

(21) Appl. No.: **29/705,940**

(22) Filed: **Sep. 17, 2019**

(51) **LOC (13) Cl.** **08-03**

(52) **U.S. Cl.**
USPC **D8/62**

(58) **Field of Classification Search**
USPC D8/69, 68, 67, 66, 64, 61, 70; 83/698.41,
83/747, 166.3, 374, 373, 375, 376, 391,
83/377, 390, 388, 389; 125/13.01;
144/218; D21/532
CPC B24B 23/028; B24B 47/12; B24B 7/186;
B25F 5/001; B25F 5/02
See application file for complete search history.

(56) **References Cited**

U.S. PATENT DOCUMENTS

5,419,737 A * 5/1995 Brazell B24B 23/03
451/354
D386,376 S * 11/1997 Kaneko D8/62

D509,417 S * 9/2005 Wikle D8/62
D528,386 S * 9/2006 Wu D8/62
D558,017 S * 12/2007 Cooper D8/62
D566,503 S * 4/2008 Leasure D8/62
D585,258 S * 1/2009 Nojiri D8/62
D636,243 S * 4/2011 Liu D8/62
D718,998 S * 12/2014 Tirone D8/62
D831,458 S * 10/2018 Itoh D8/62
D846,962 S * 4/2019 Schirmacher D8/62
D863,912 S * 10/2019 Yang D8/62
D875,495 S * 2/2020 Chen D8/62

* cited by examiner

Primary Examiner — Austin Murphy

(74) *Attorney, Agent, or Firm* — Westbridge IP LLC

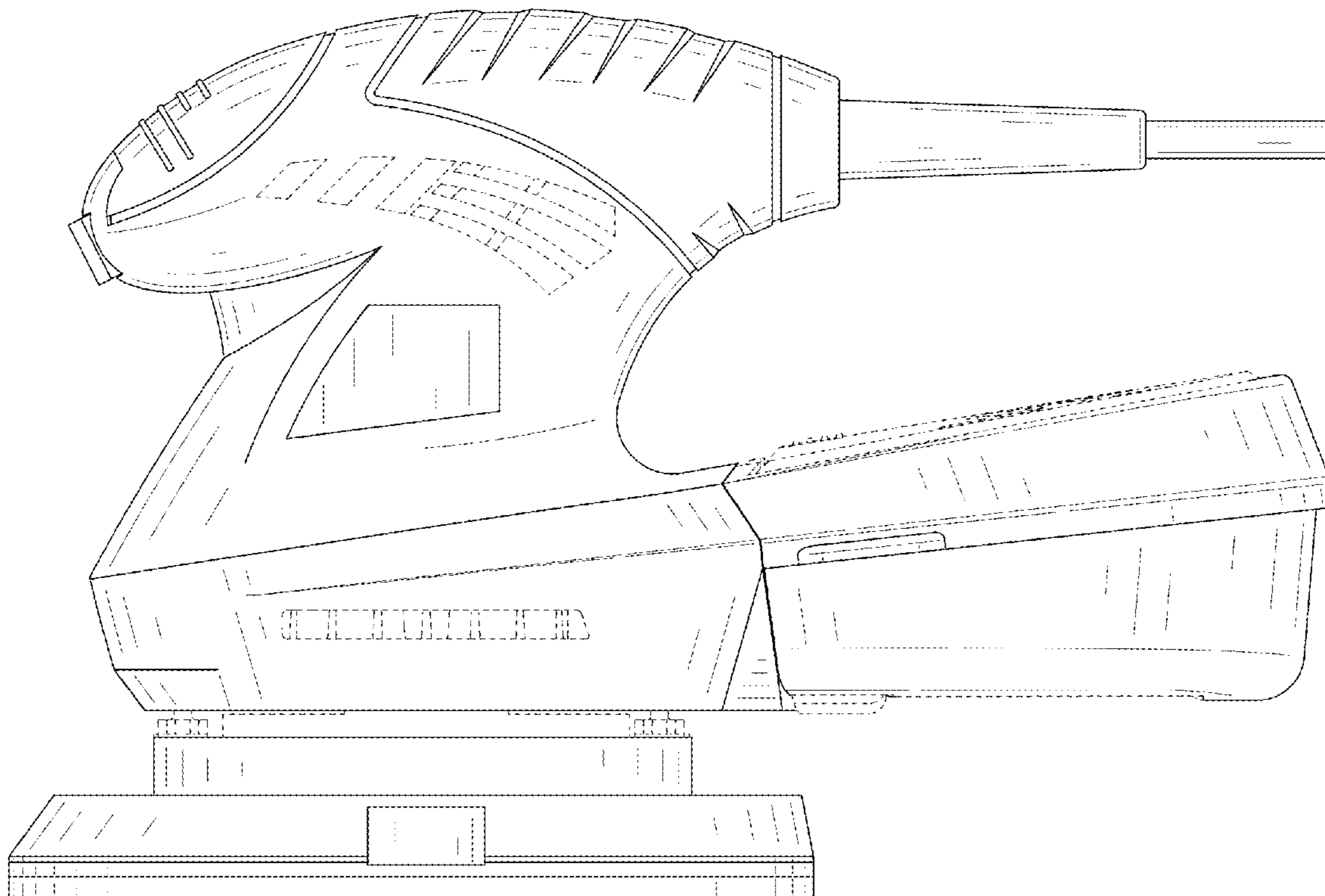
(57) **CLAIM**

The ornamental design for a sander, as shown and described.

DESCRIPTION

FIG. 1 is a front, left and top side perspective view of a sander showing our new design;
FIG. 2 is a front elevational view thereof;
FIG. 3 is a rear elevational view thereof;
FIG. 4 is a left side view thereof;
FIG. 5 is a right side view thereof;
FIG. 6 is a top plan view thereof; and,
FIG. 7 is a bottom plan view thereof.
The evenly broken lines in the drawings illustrate portions of the article that form no part of the claim.

1 Claim, 7 Drawing Sheets



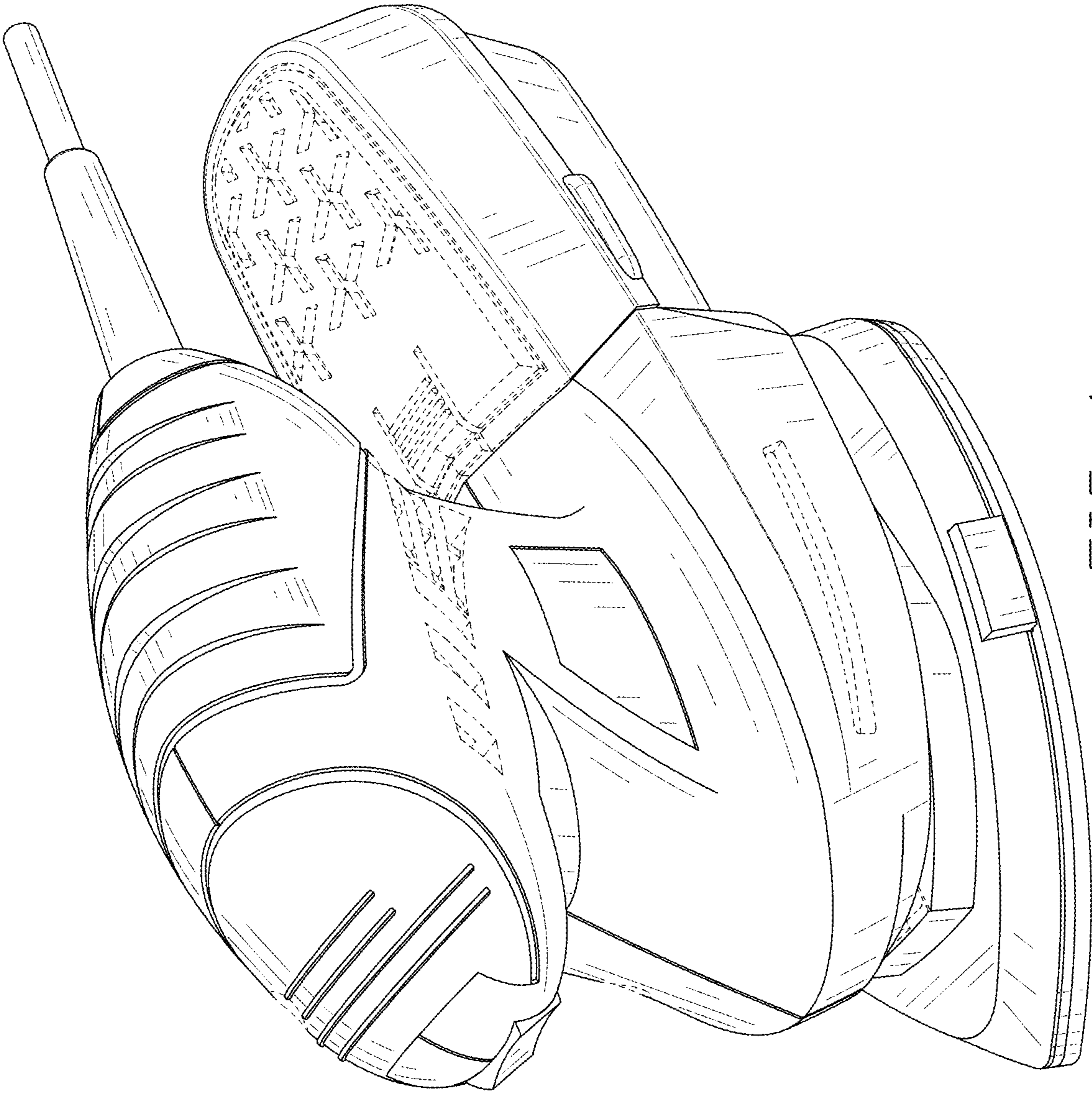


FIG. 1

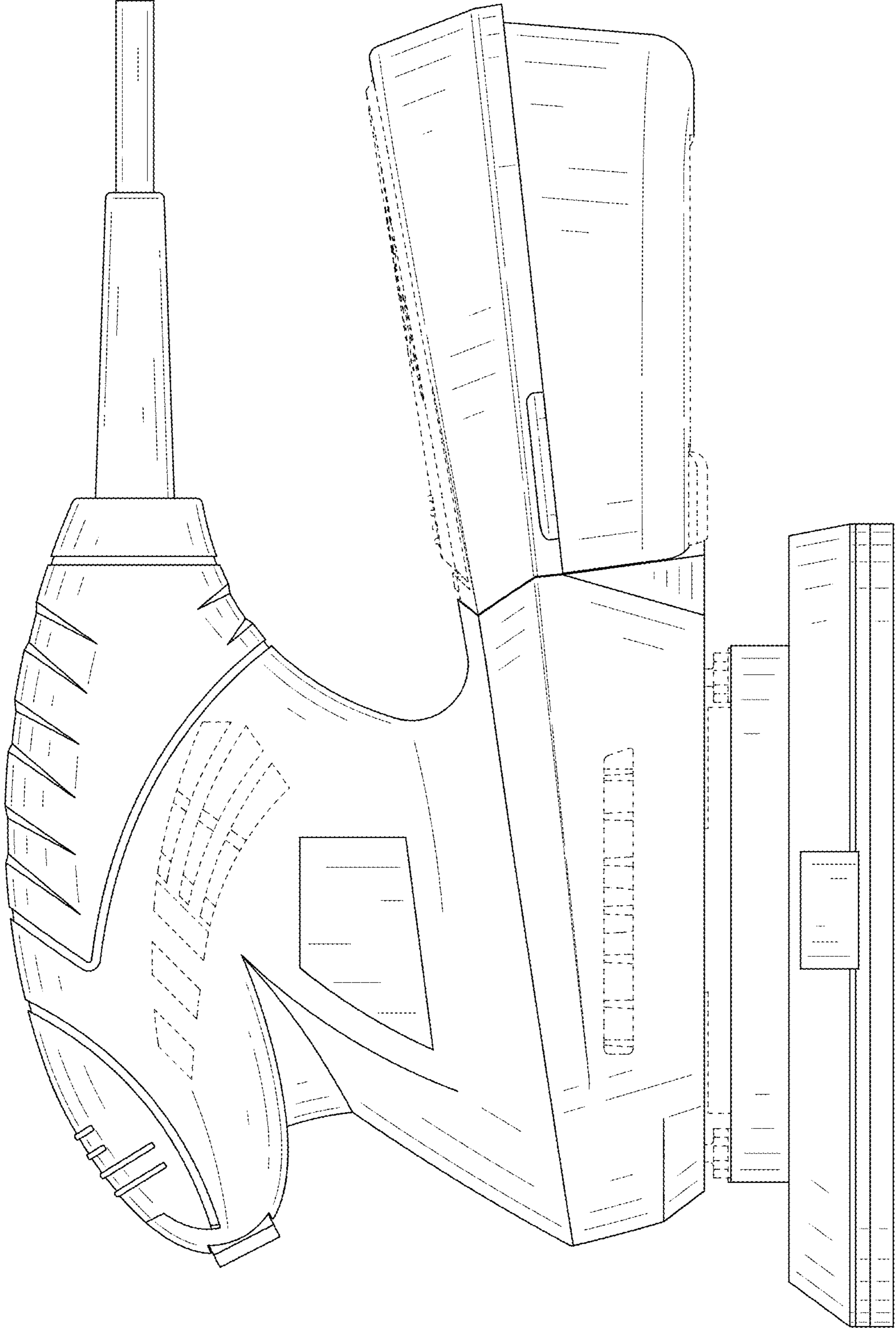


FIG. 2

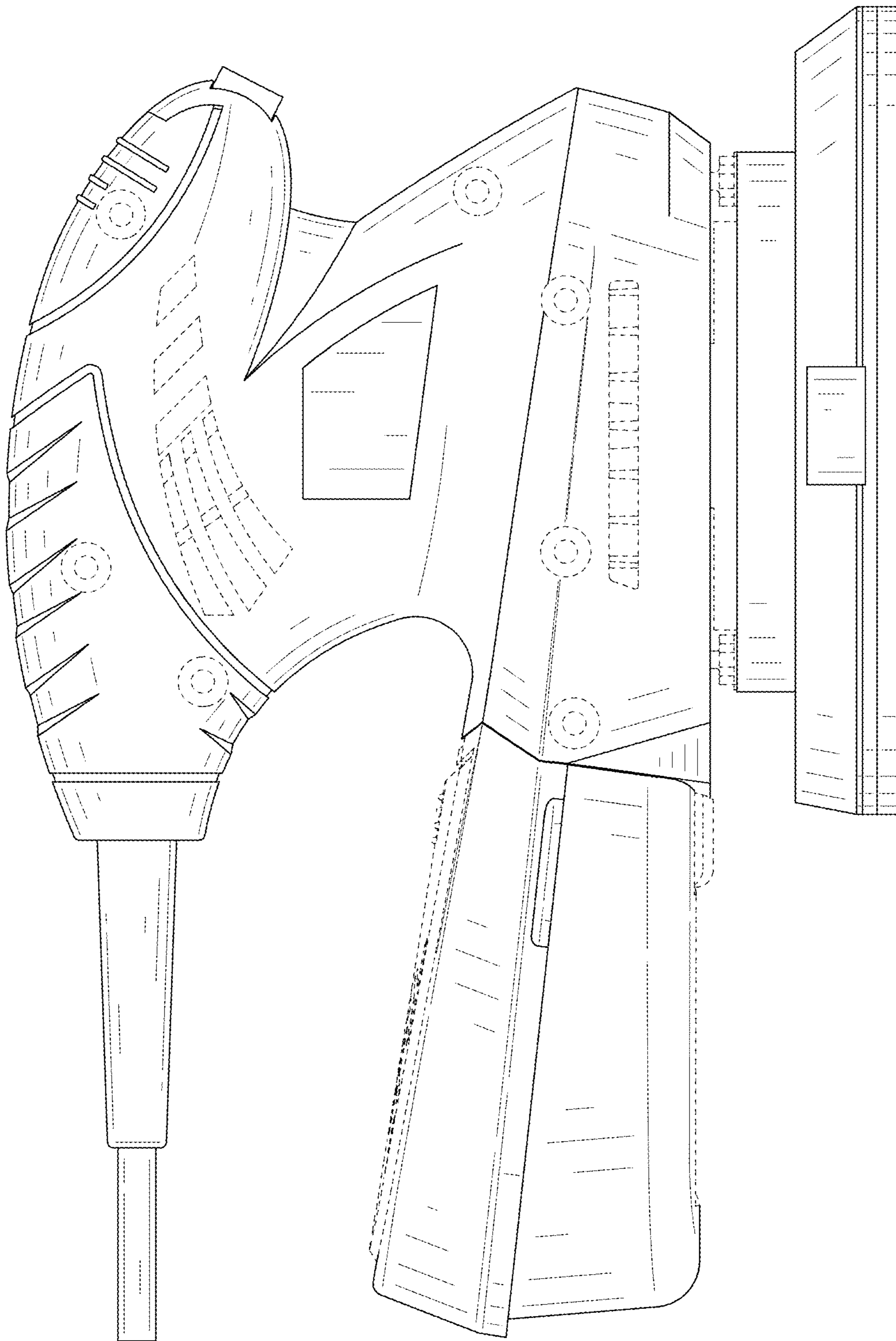


FIG. 3

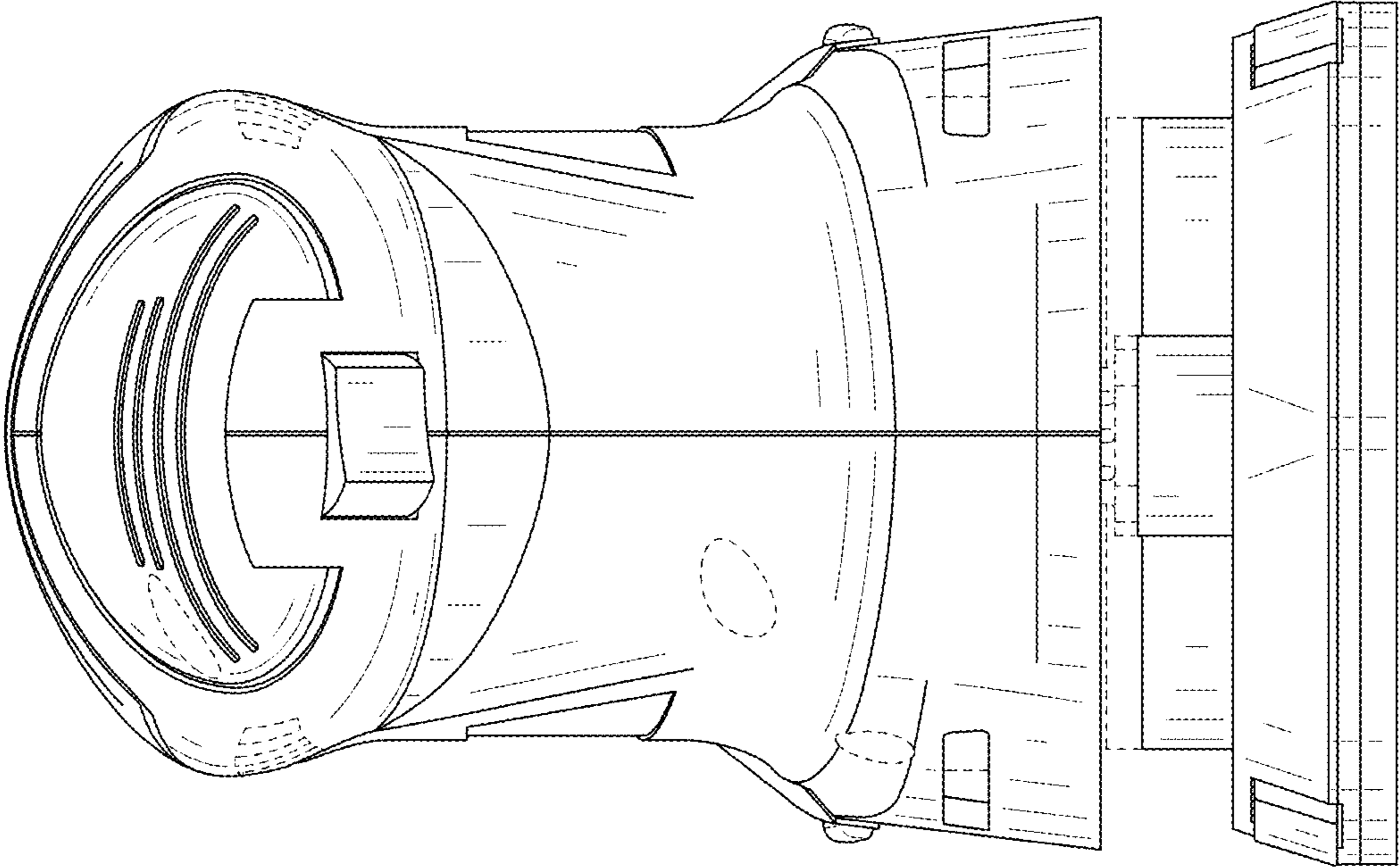


FIG. 4

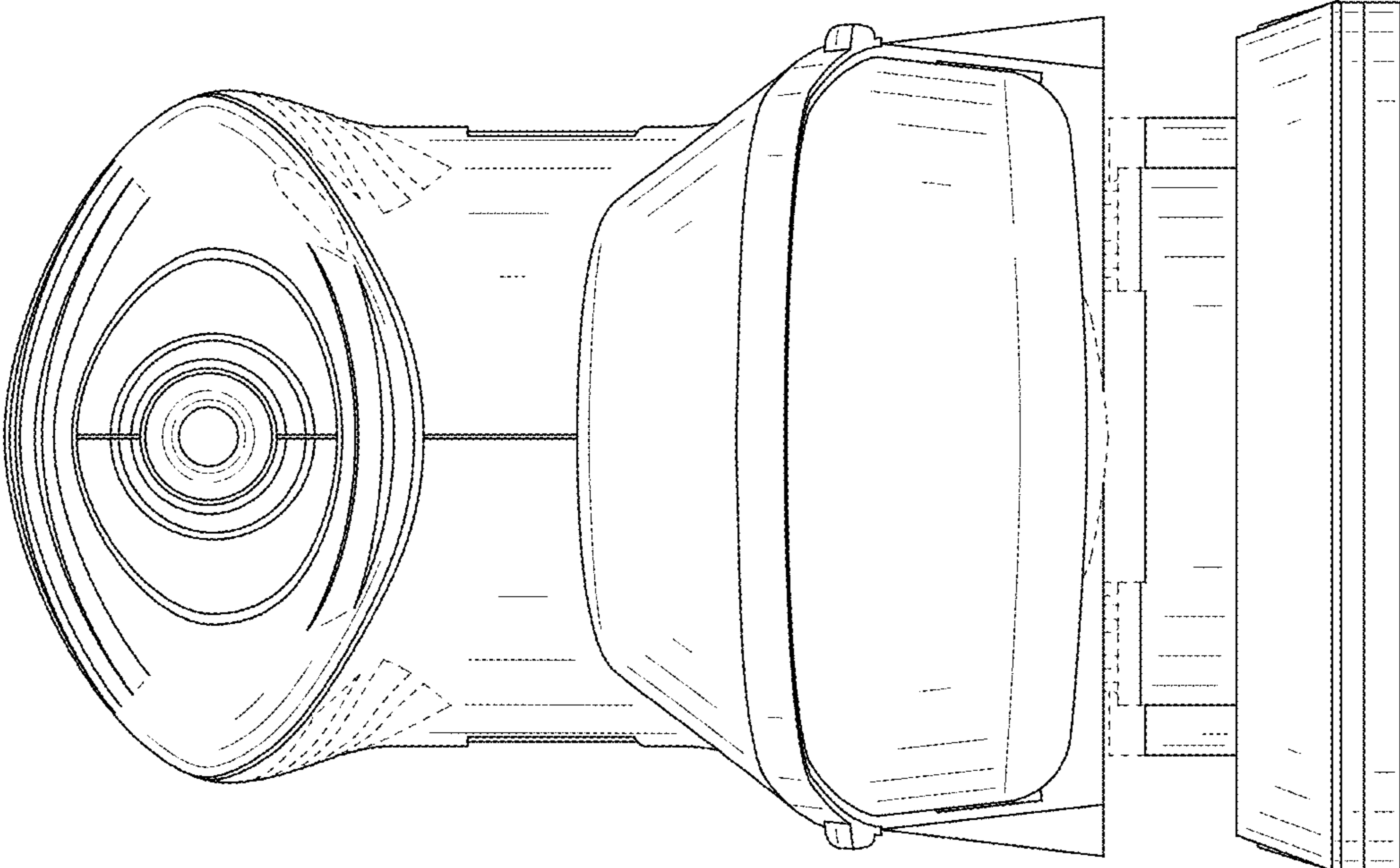


FIG. 5

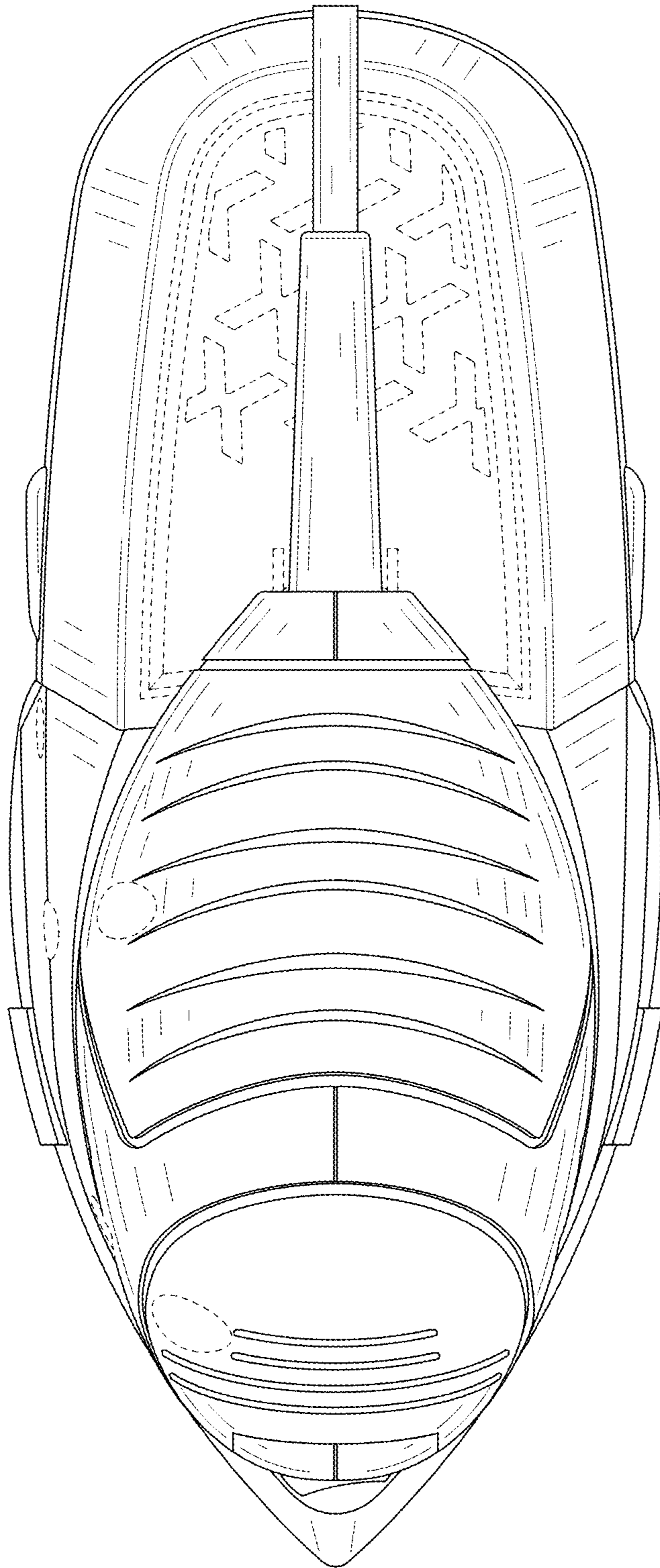


FIG. 6

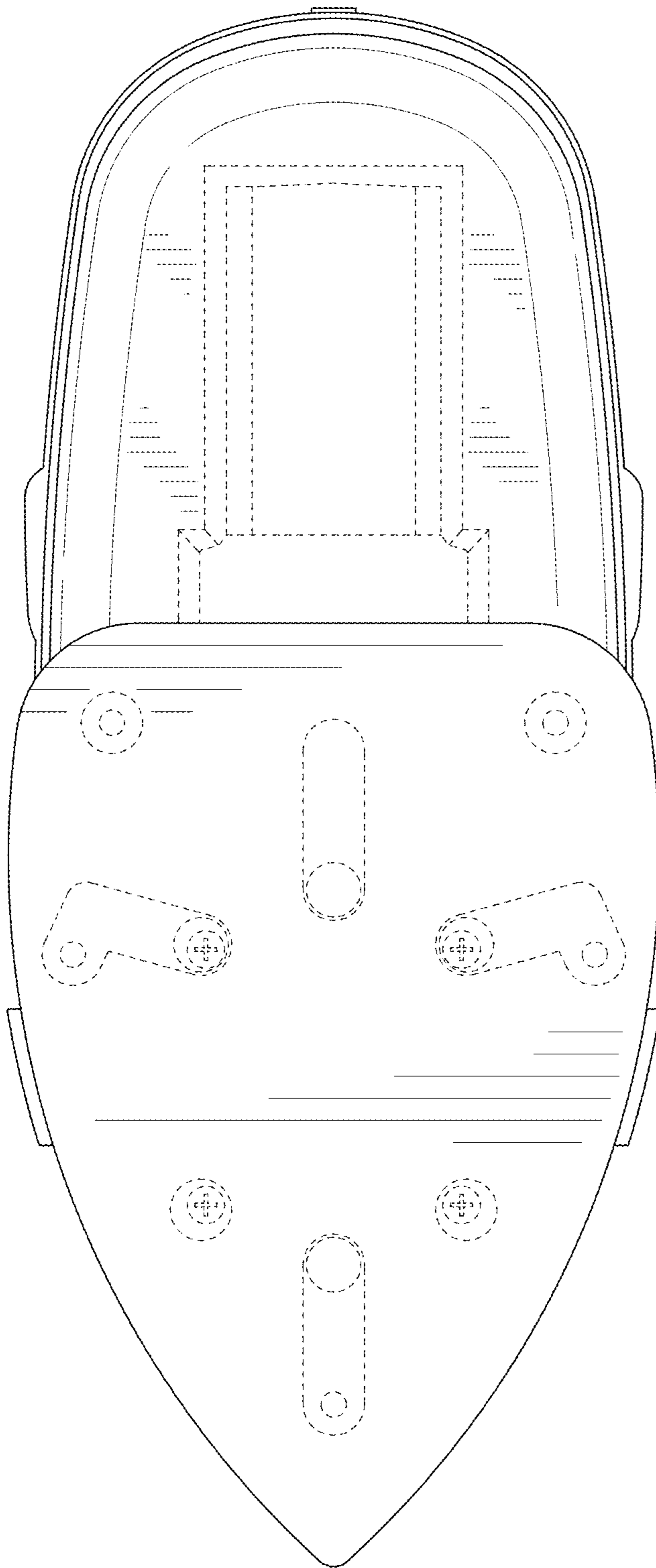


FIG. 7