



US00D910396S

(12) **United States Design Patent** (10) **Patent No.:** **US D910,396 S**
Flannigan (45) **Date of Patent:** **** Feb. 16, 2021**

- (54) **ATTACHMENT FOR A SANDING DEVICE**
- (71) Applicant: **3M INNOVATIVE PROPERTIES COMPANY**, St. Paul, MN (US)
- (72) Inventor: **Paul J. Flannigan**, Roseville, MN (US)
- (73) Assignee: **3M INNOVATIVE PROPERTIES COMPANY**, St. Paul, MN (US)
- (**) Term: **15 Years**
- (21) Appl. No.: **29/664,319**
- (22) Filed: **Sep. 24, 2018**
- (51) **LOC (13) Cl.** **08-05**
- (52) **U.S. Cl.**
USPC **D8/62**
- (58) **Field of Classification Search**
USPC D4/102; D8/20, 61, 62, 63, 67, 70;
D15/124, 126, 138; D32/15, 17, 19
CPC B24B 23/00; B24B 23/02
See application file for complete search history.

(56) **References Cited**

U.S. PATENT DOCUMENTS

D191,000 S *	8/1961	Olton	D15/126
D216,578 S *	2/1970	Kiester	D8/62
5,931,729 A	8/1999	Penttila et al.		
D581,236 S *	11/2008	Umbrell	D8/70
D638,863 S *	5/2011	Huh	D15/126
8,764,517 B2	7/2014	Telischak, Jr. et al.		
D710,407 S *	8/2014	Wiand	D15/126
D710,408 S *	8/2014	Wiand	D15/126
D732,917 S *	6/2015	Valentini	D8/70

D738,177 S *	9/2015	Finnas	D8/70
D765,484 S *	9/2016	Inkster	D8/62
D786,492 S *	5/2017	Hargreaves	D26/138
D822,081 S *	7/2018	Yamaguchi	D15/140
D853,624 S *	7/2019	Hargreaves	D26/138
D854,232 S *	7/2019	Hargreaves	D26/138
2010/0048101 A1 *	2/2010	King	B24B 45/006 451/28

* cited by examiner

Primary Examiner — Michael C Stout
Assistant Examiner — Fritzgerald L Butac
(74) *Attorney, Agent, or Firm* — Aleksander Medved

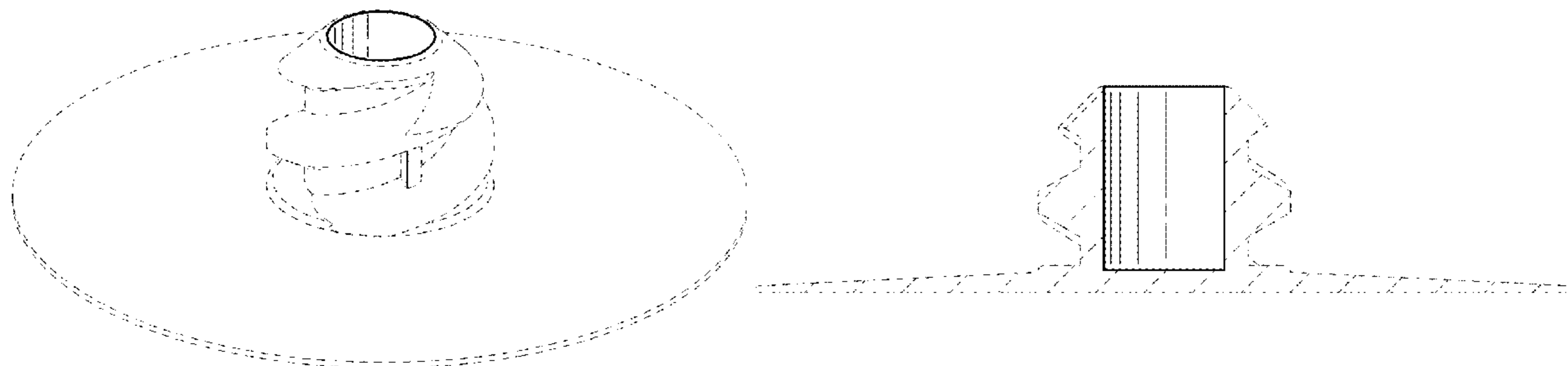
(57) **CLAIM**

The ornamental design for an attachment for a sanding device, as shown and described.

DESCRIPTION

FIG. 1 is a perspective view showing the new design for an attachment for a sanding device.
FIG. 2 is a top view thereof;
FIG. 3 is a bottom view thereof;
FIG. 4 is a right side view thereof;
FIG. 5 is a left side view thereof;
FIG. 6 is a front view thereof;
FIG. 7 is a rear view thereof; and,
FIG. 8 is a cross-section view thereof taken at 8-8 of FIG. 1.
The broken lines do not form a part of the claimed design.

1 Claim, 3 Drawing Sheets



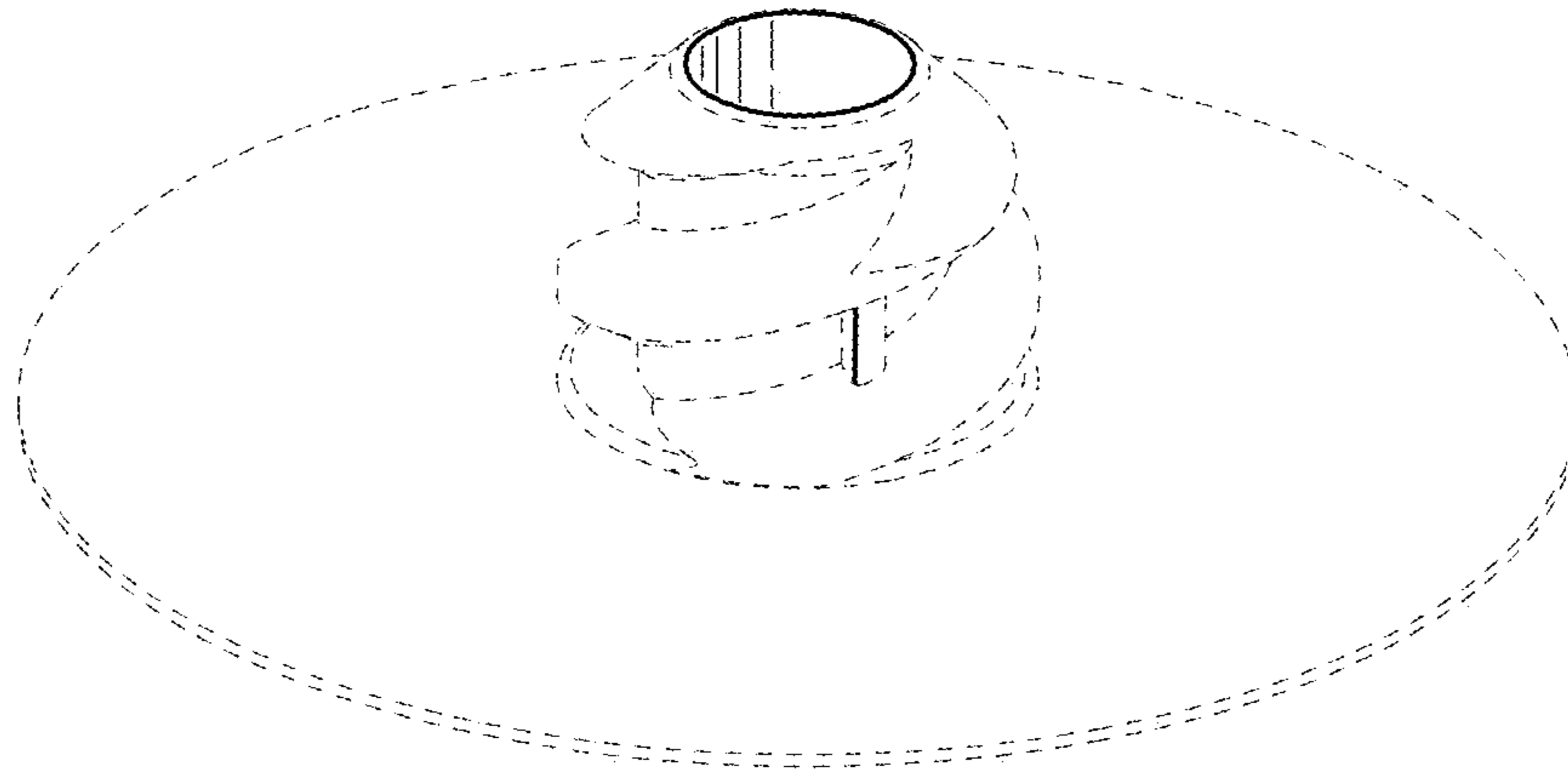


Fig. 1

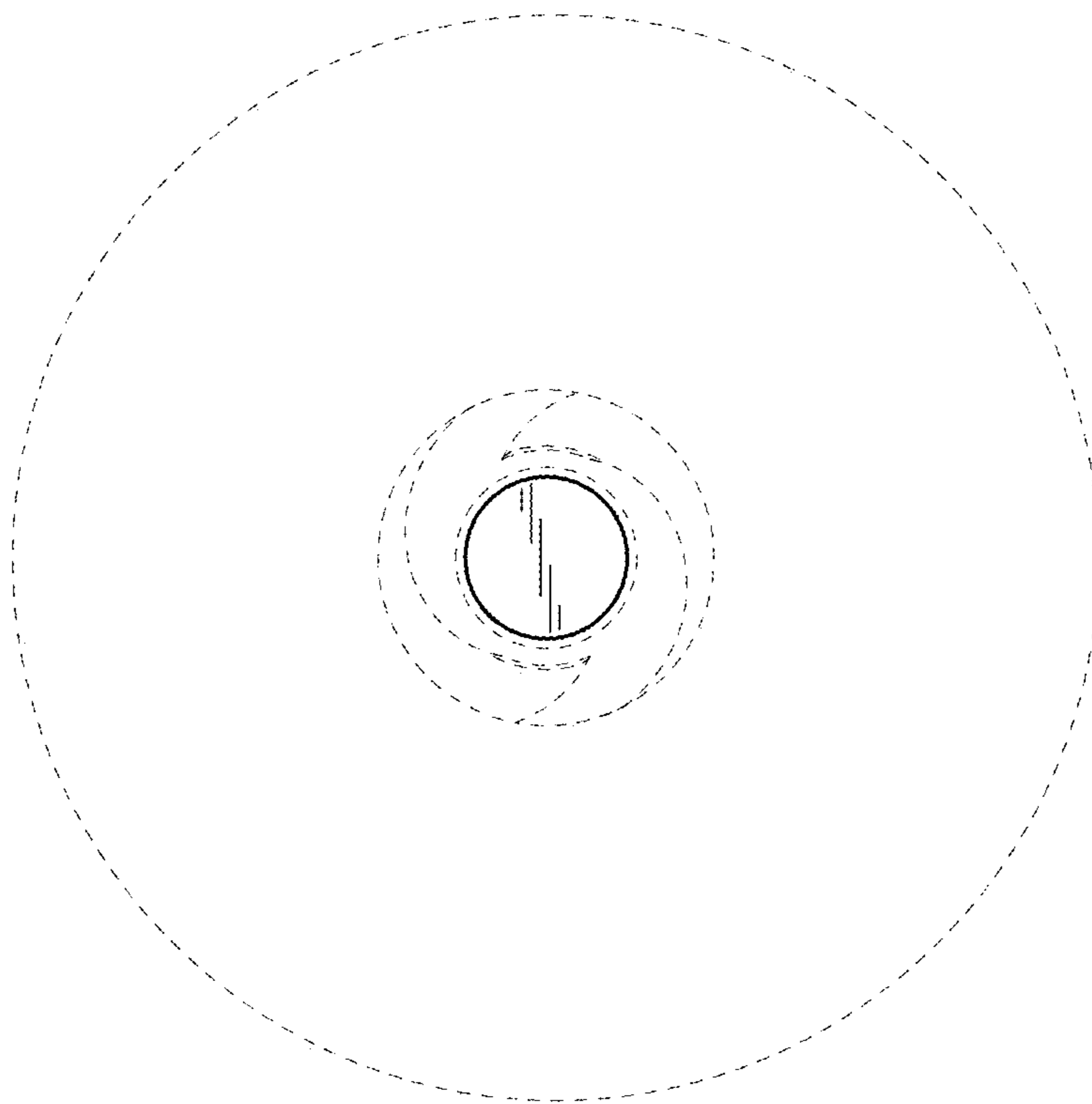


Fig. 2

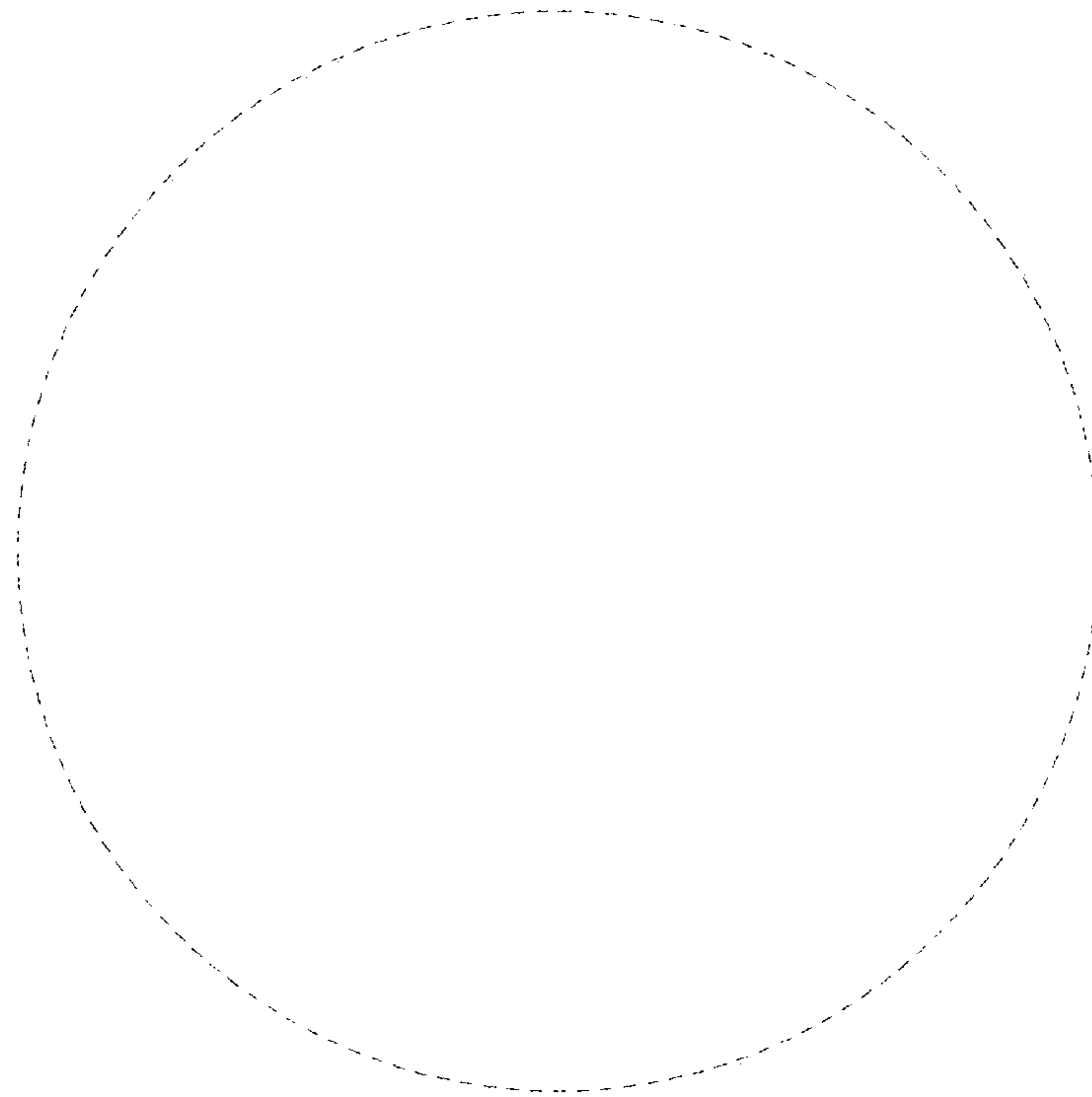


Fig. 3

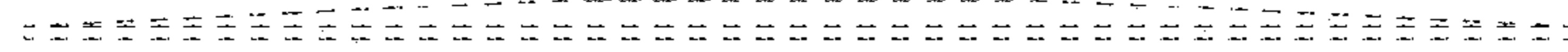
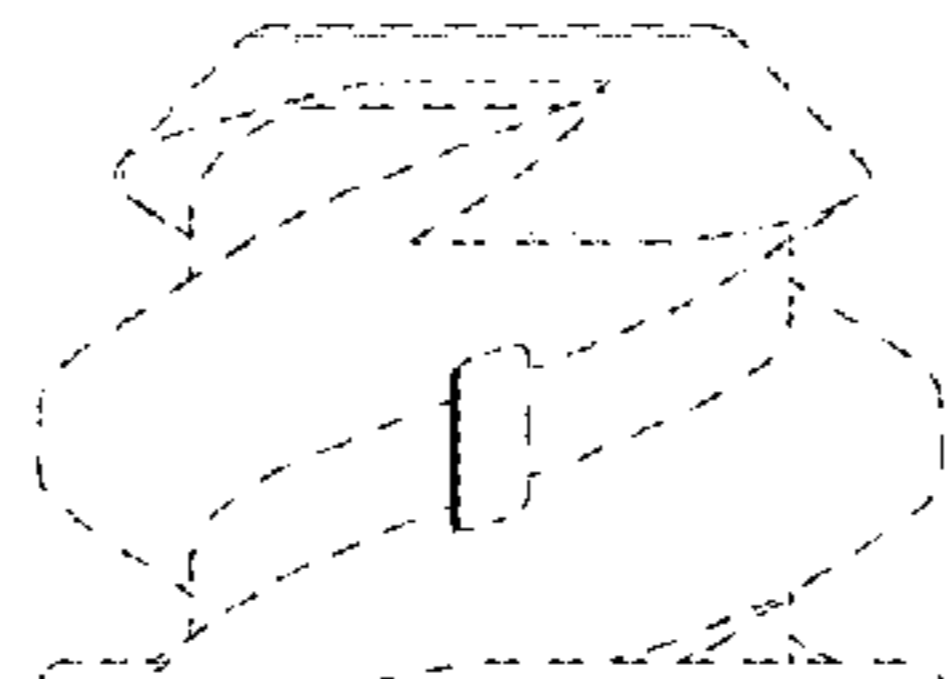


Fig. 4

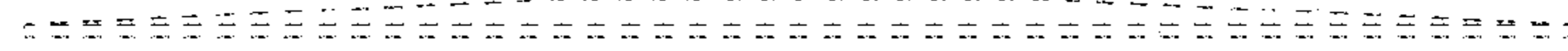
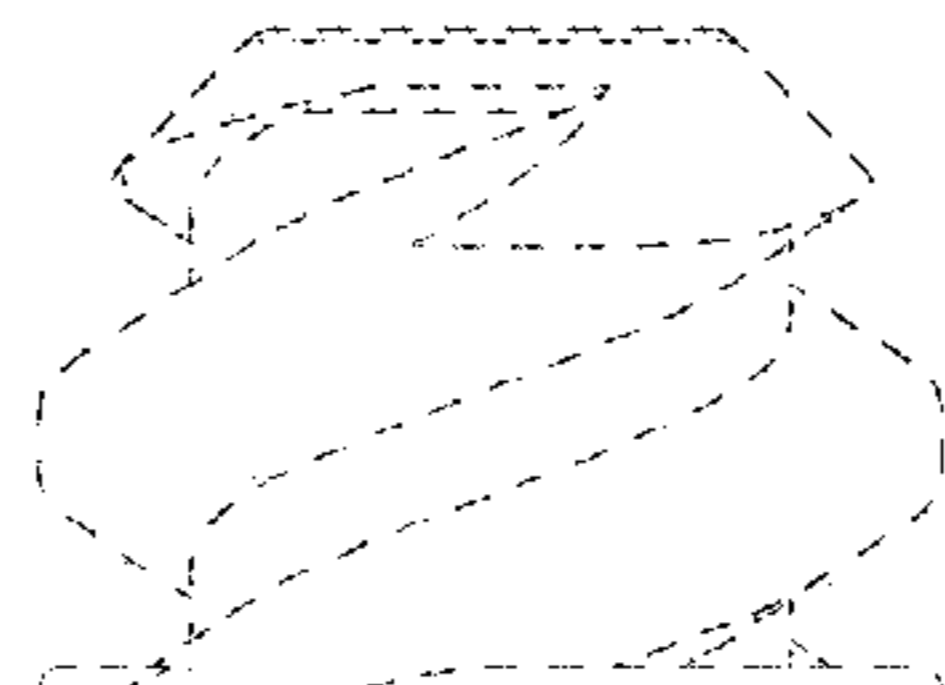


Fig. 5

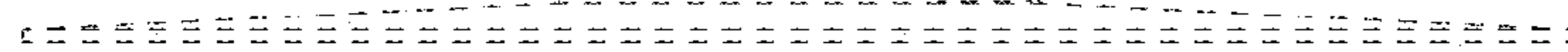
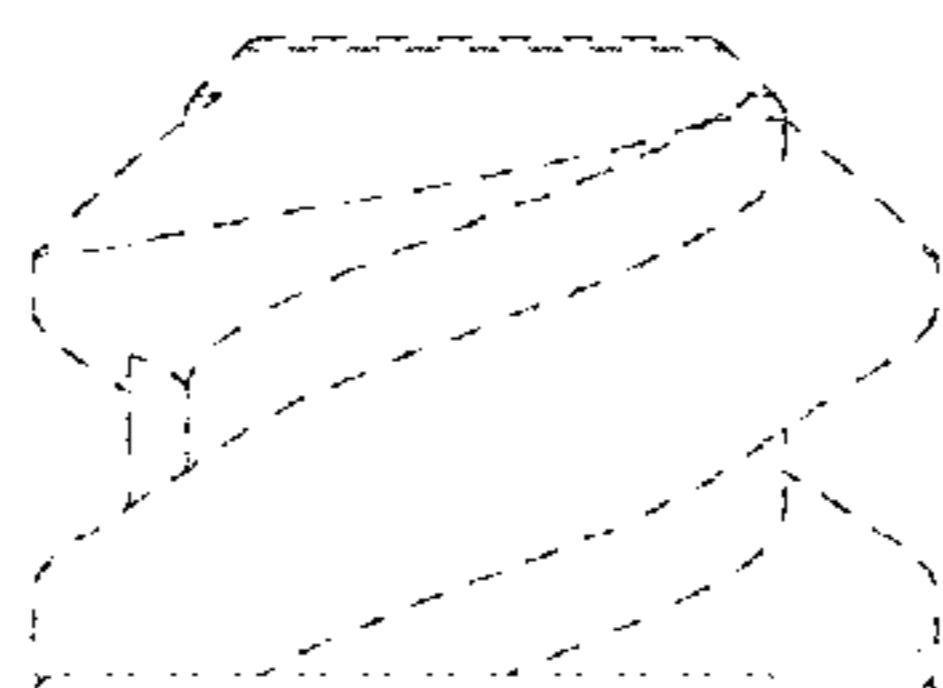


Fig. 6

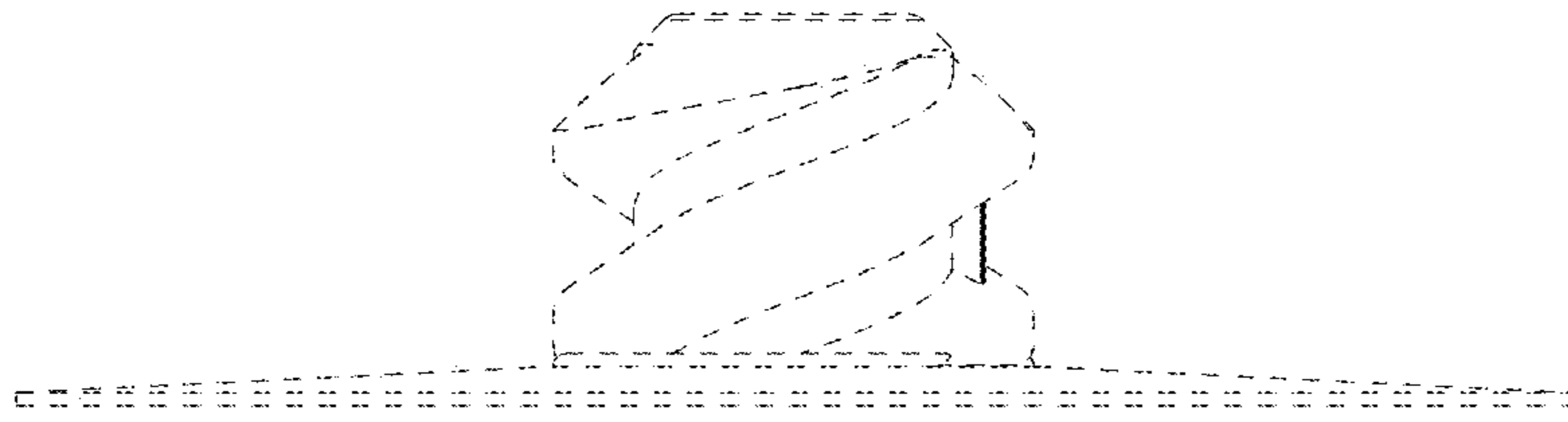


Fig. 7

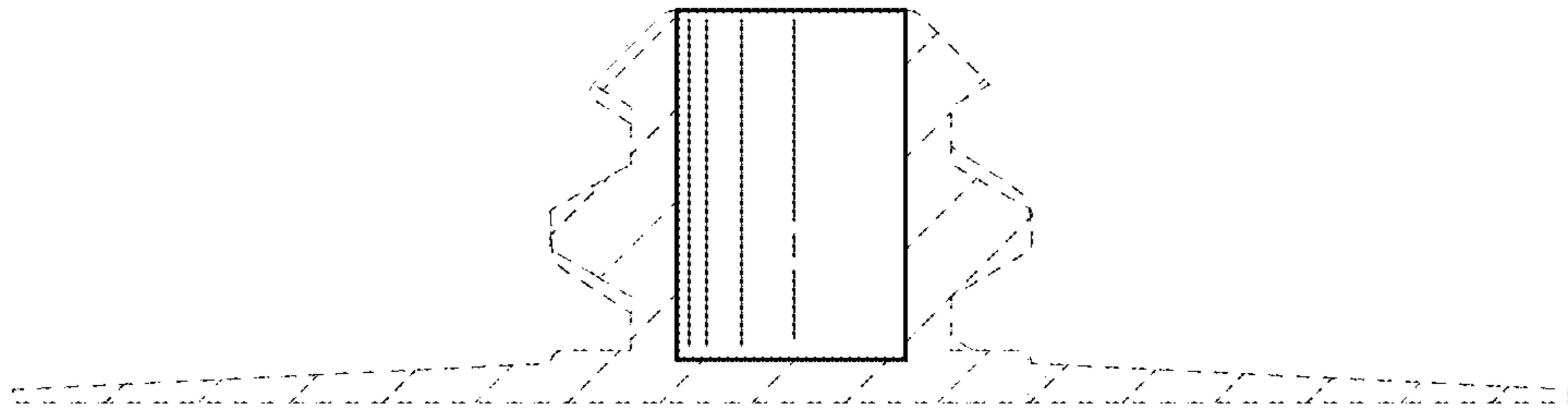


Fig. 8