



US00D910394S

(12) **United States Design Patent**
Sweitzer et al.

(10) **Patent No.:** **US D910,394 S**

(45) **Date of Patent:** **** Feb. 16, 2021**

(54) **LIPPED EXTRACTOR PUNCH**
(71) Applicant: **Shukla Medical**, St. Petersburg, FL
(US)
(72) Inventors: **Zachary Robert Sweitzer**, Keyport, NJ
(US); **Lindsey Anne Charbonneau**,
Bay City, MI (US)

(73) Assignee: **Shukla Medical**, St. Petersburg, FL
(US)

(**) Term: **15 Years**

(21) Appl. No.: **29/707,966**

(22) Filed: **Oct. 2, 2019**

(51) **LOC (13) Cl.** **08-05**

(52) **U.S. Cl.**
USPC **D8/47; D8/14; D8/79**

(58) **Field of Classification Search**
USPC **D8/75, 76, 77, 78, 79, 81, 89, 47, 45,**
D8/105, 98
CPC .. **B66F 15/00; B25F 1/00; B25F 1/006; B25F**
1/02; B25D 1/00
See application file for complete search history.

(56) **References Cited**

U.S. PATENT DOCUMENTS

D262,263	S	*	12/1981	Jeanminette	D8/88
D336,224	S	*	6/1993	Terry	D8/14
5,865,425	A	*	2/1999	Meadows	B66F 15/00
						254/131
6,604,728	B1	*	8/2003	Boydon	A45F 5/00
						254/25
7,025,331	B2	*	4/2006	Whelan	B25G 1/06
						254/25
D600,089	S	*	9/2009	Mullen	D8/78

7,628,382	B2	*	12/2009	Cole	B25C 11/00
						254/131
7,774,882	B2	*	8/2010	Liou	B66F 15/00
						7/166
D644,083	S	*	8/2011	Dapkins, Jr.	D8/88
D726,522	S	*	4/2015	Wells	A62B 3/005
						D8/88
D834,909	S	*	12/2018	Poulos	D8/78
2003/0042474	A1	*	3/2003	Boydon	B25D 1/045
						254/25

* cited by examiner

Primary Examiner — Philip S Hyder

(74) *Attorney, Agent, or Firm* — Kim IP Law Group LLC

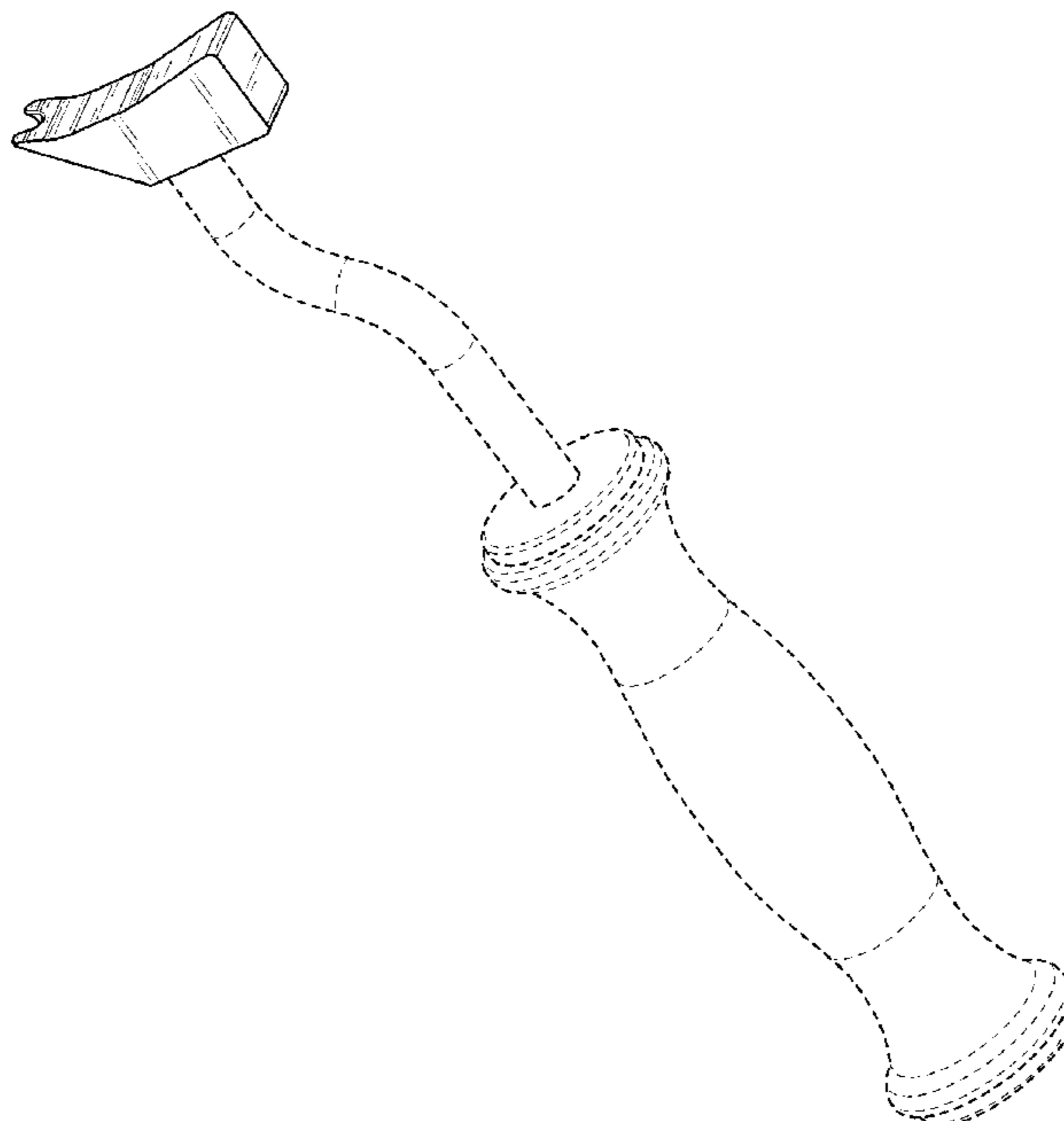
(57) **CLAIM**

The ornamental design for a lipped extractor punch, as shown and described.

DESCRIPTION

FIG. 1 is a perspective view of a lipped extractor punch in accordance with the new design;
FIG. 2 is a left side view of the lipped extractor punch of FIG. 1;
FIG. 3 is a right side view of the lipped extractor punch of FIG. 1;
FIG. 4 is a front view of the lipped extractor punch of FIG. 1;
FIG. 5 is a rear view of the lipped extractor punch of FIG. 1;
FIG. 6 is a top view of the lipped extractor punch of FIG. 1; and,
FIG. 7 is a bottom view of the lipped extractor punch of FIG. 1.
The broken lines in the figures are directed to portions of the lipped extractor punch that form no part of the claimed design.

1 Claim, 7 Drawing Sheets



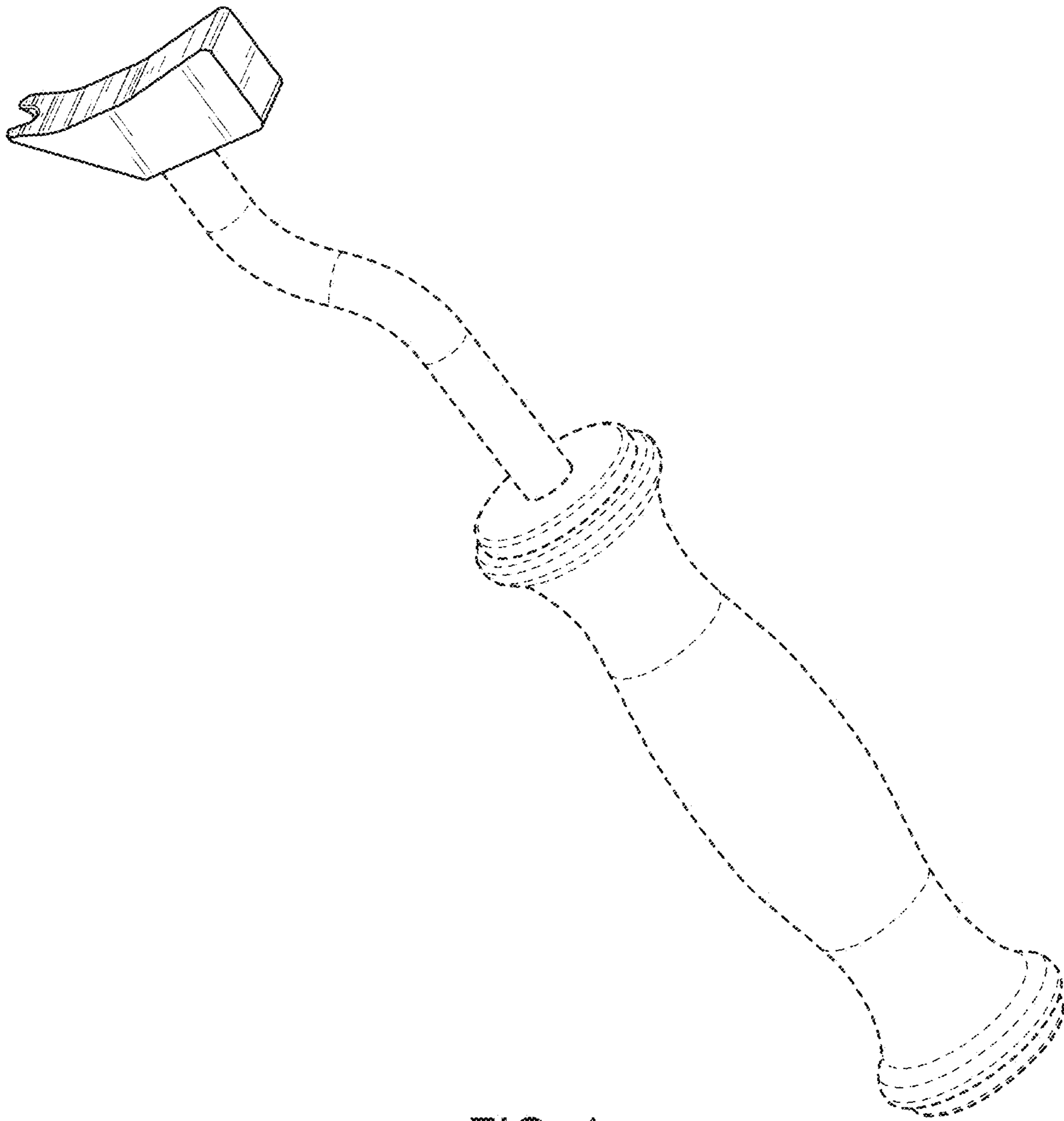


FIG. 1

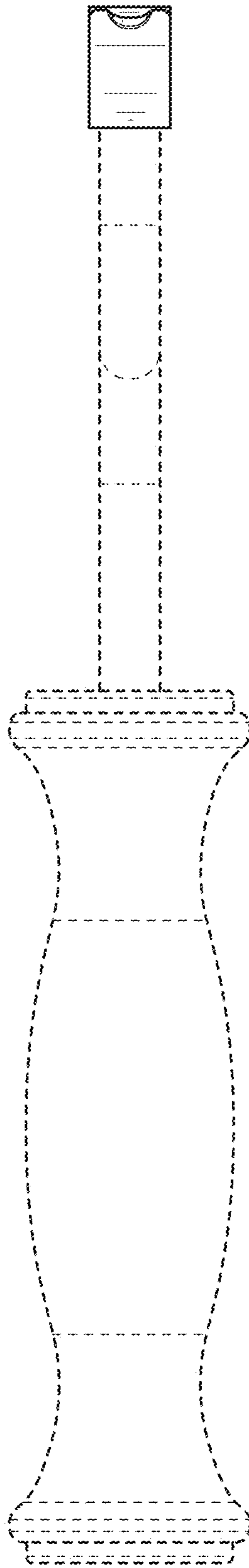


FIG. 2

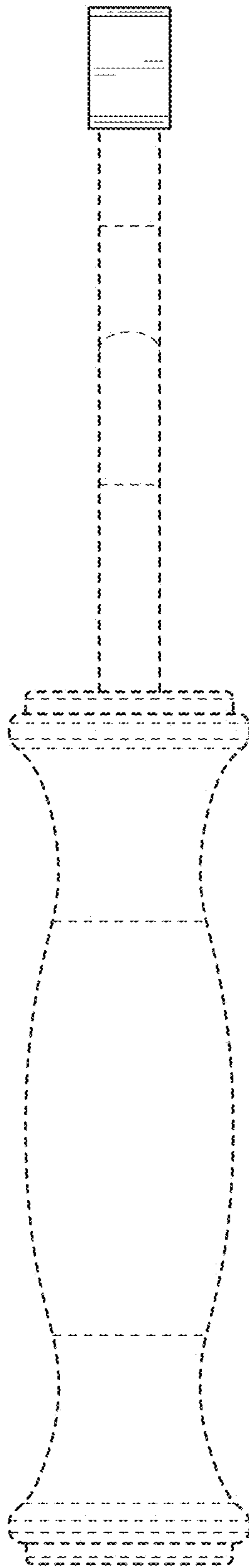


FIG. 3

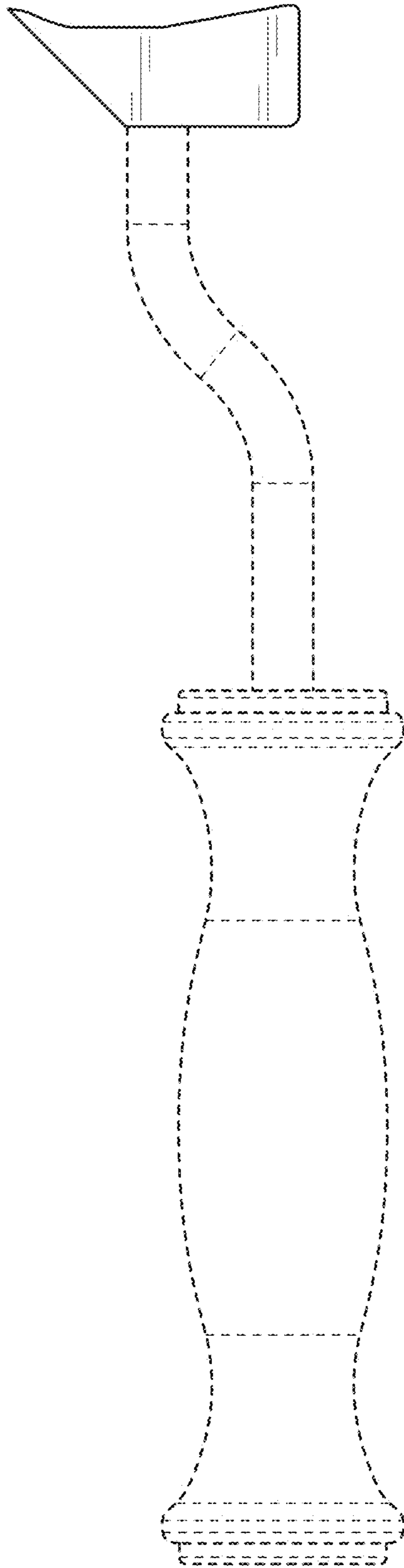


FIG. 4

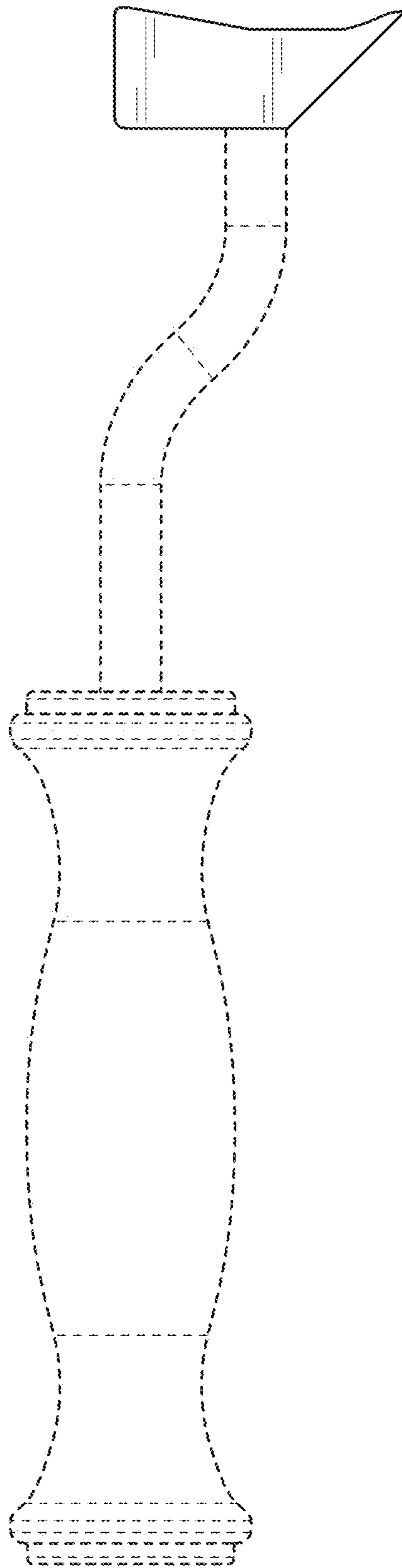


FIG. 5

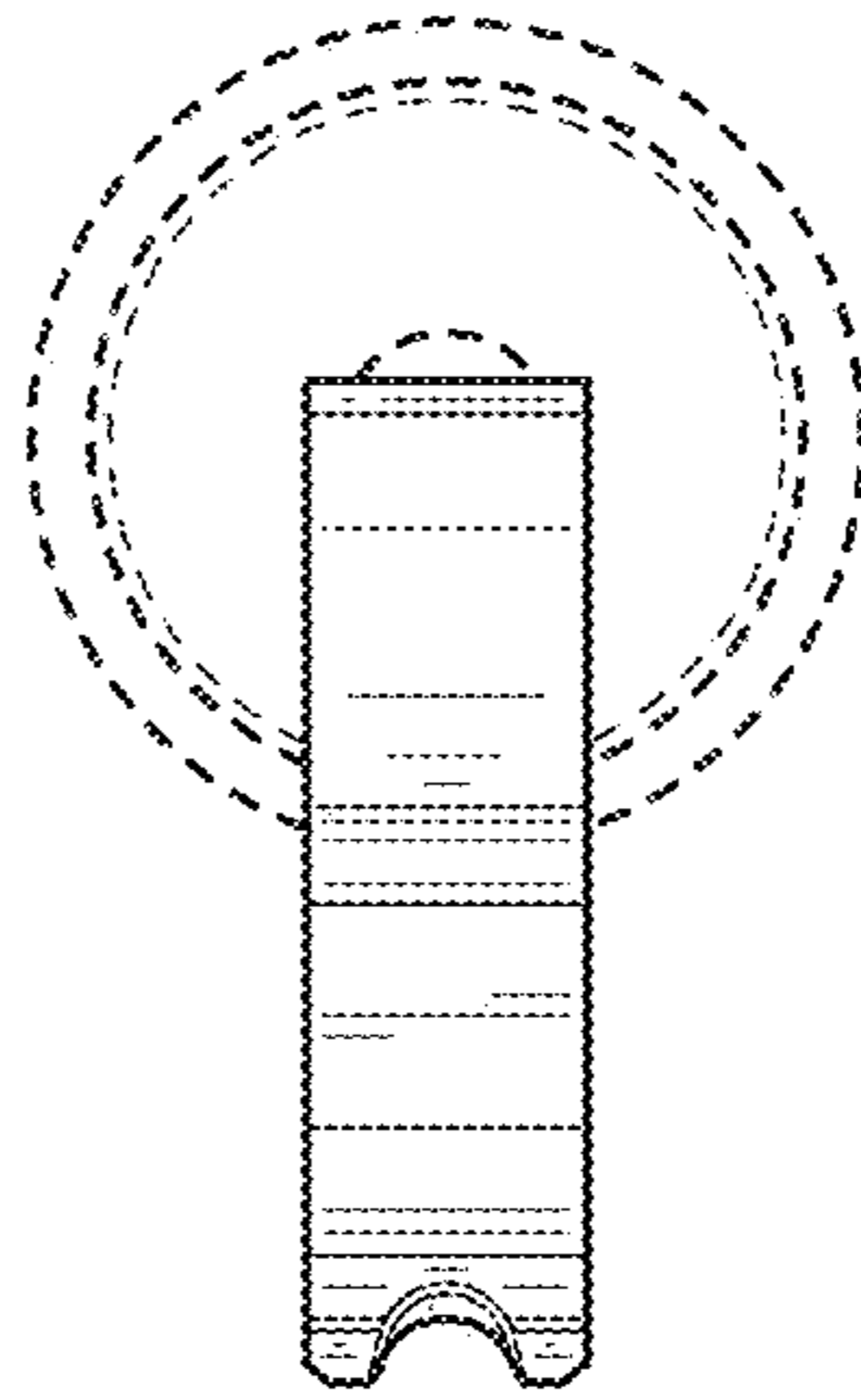


FIG. 6

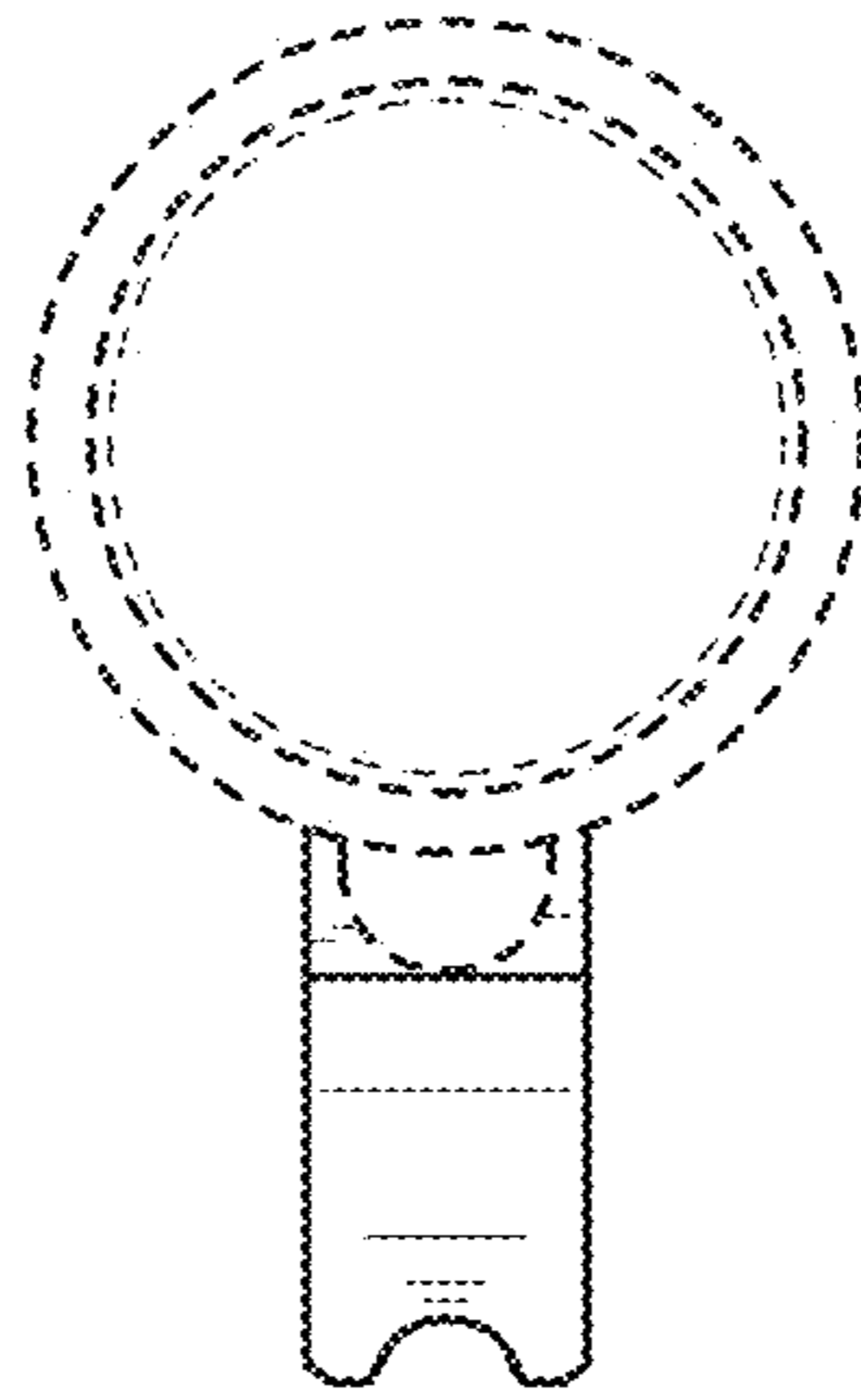


FIG. 7