

US00D910388S

(12) **United States Design Patent** (10) **Patent No.:** **US D910,388 S**
Tucker (45) **Date of Patent:** **** Feb. 16, 2021**

(54) **HEDGE TRIMMER**
(71) Applicant: **Nanjing Chervon Industry Co., Ltd.,**
Nanjing (CN)
(72) Inventor: **Dane Tucker,** Grand Rapids, MI (US)
(73) Assignee: **Nanjing Chervon Industry Co., Ltd.,**
Nanjing (CN)

(**) Term: **15 Years**
(21) Appl. No.: **29/640,531**
(22) Filed: **Mar. 15, 2018**

(30) **Foreign Application Priority Data**
Sep. 19, 2017 (CN) 2017 3 0444147
(51) **LOC (13) Cl.** **08-03**
(52) **U.S. Cl.**
USPC **D8/8**
(58) **Field of Classification Search**
USPC D8/1, 7, 8, 9, 499; D15/1, 17
CPC A01G 3/06; A01G 3/053; A01G 3/067;
A01G 3/0535; A01G 3/00; A01G 3/062;
B27B 17/00; B25F 5/02
See application file for complete search history.

(56) **References Cited**
U.S. PATENT DOCUMENTS
D649,845 S * 12/2011 Yamamoto D8/9
D661,557 S * 6/2012 Sweeney D8/8

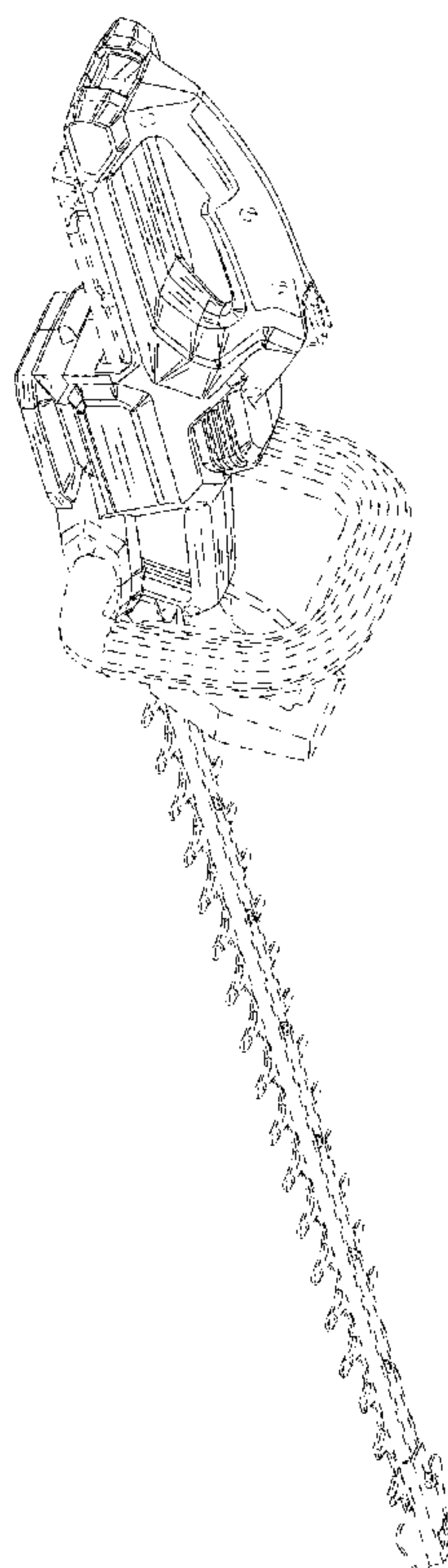
D712,212 S * 9/2014 Zhang D8/8
D721,551 S * 1/2015 Carl D8/8
D741,670 S * 10/2015 Carl D8/8
D753,968 S * 4/2016 Jiang D8/8
D776,501 S * 1/2017 Tinius D8/8
D802,387 S * 11/2017 Tinius D8/8
2016/0242365 A1 * 8/2016 Li F16D 11/14

* cited by examiner
Primary Examiner — Sandra Snapp
Assistant Examiner — Ieisha N Price
(74) *Attorney, Agent, or Firm* — Greenberg Traurig, LLP

(57) **CLAIM**
What is claimed is the ornamental design for a hedge trimmer, as shown and described.

DESCRIPTION
FIG. 1 is an enlarged right side elevational view of a hedge trimmer showing my new design;
FIG. 2 is a left side elevational view thereof;
FIG. 3 is an enlarged bottom plan view thereof;
FIG. 4 is an enlarged top plan view thereof;
FIG. 5 is an enlarged front elevational view thereof;
FIG. 6 is an enlarged rear elevational view thereof; and,
FIG. 7 is a perspective view thereof.
The broken lines in the drawings illustrate portions of the hedge trimmer and form no part of the claimed design. Any surface shading is used solely to show the character or contour of the surfaces represented.

1 Claim, 7 Drawing Sheets



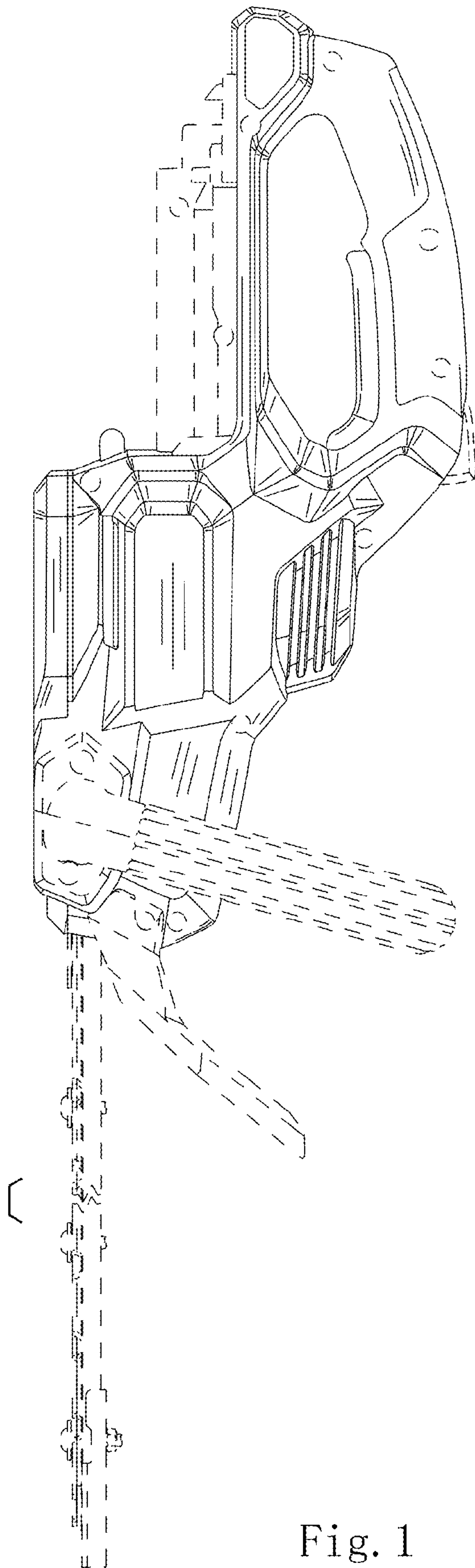


Fig. 1

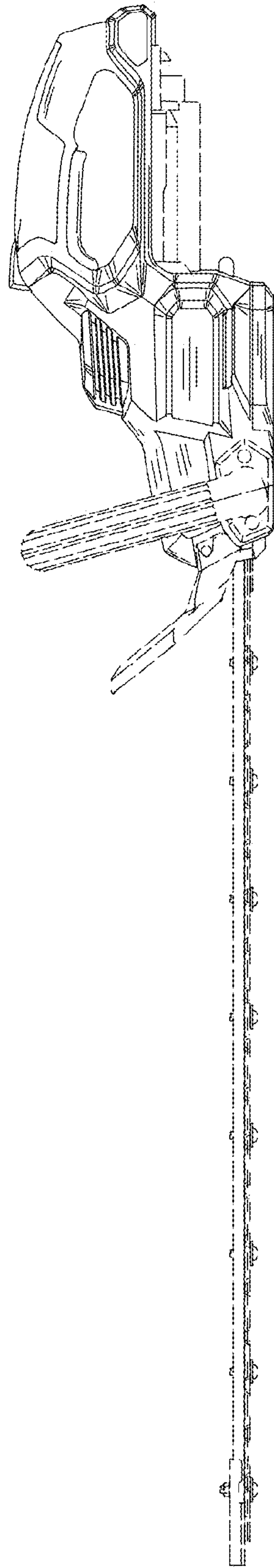


Fig. 2

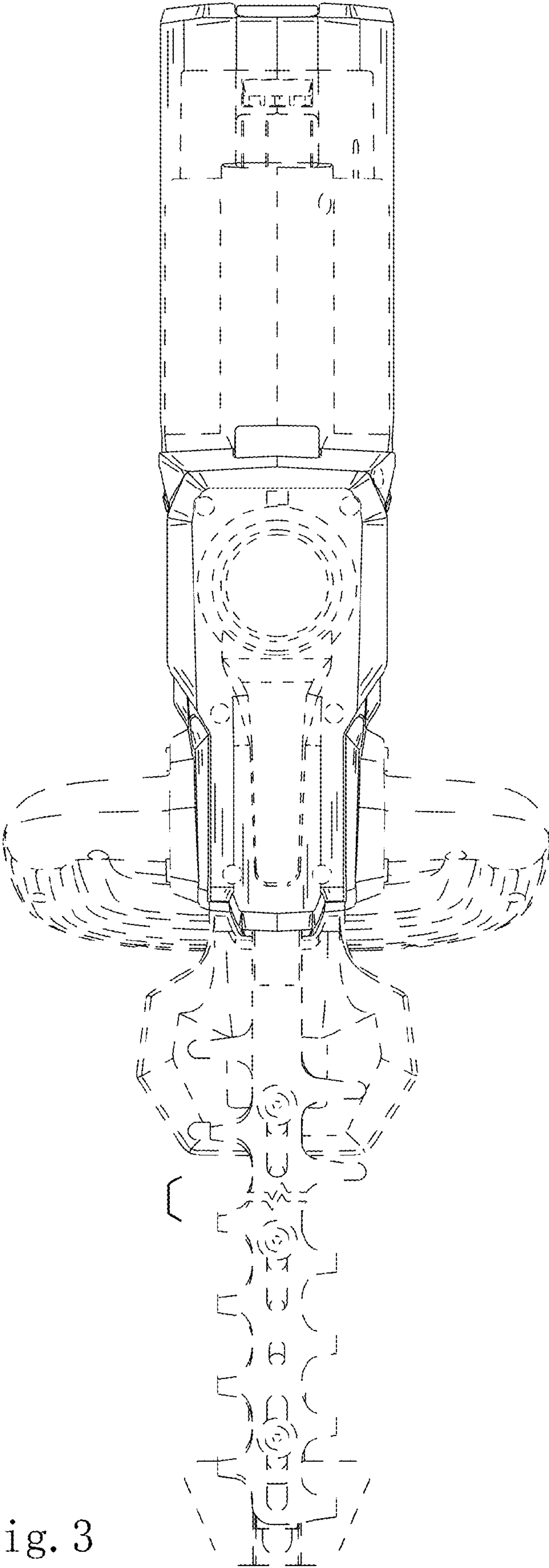


Fig. 3

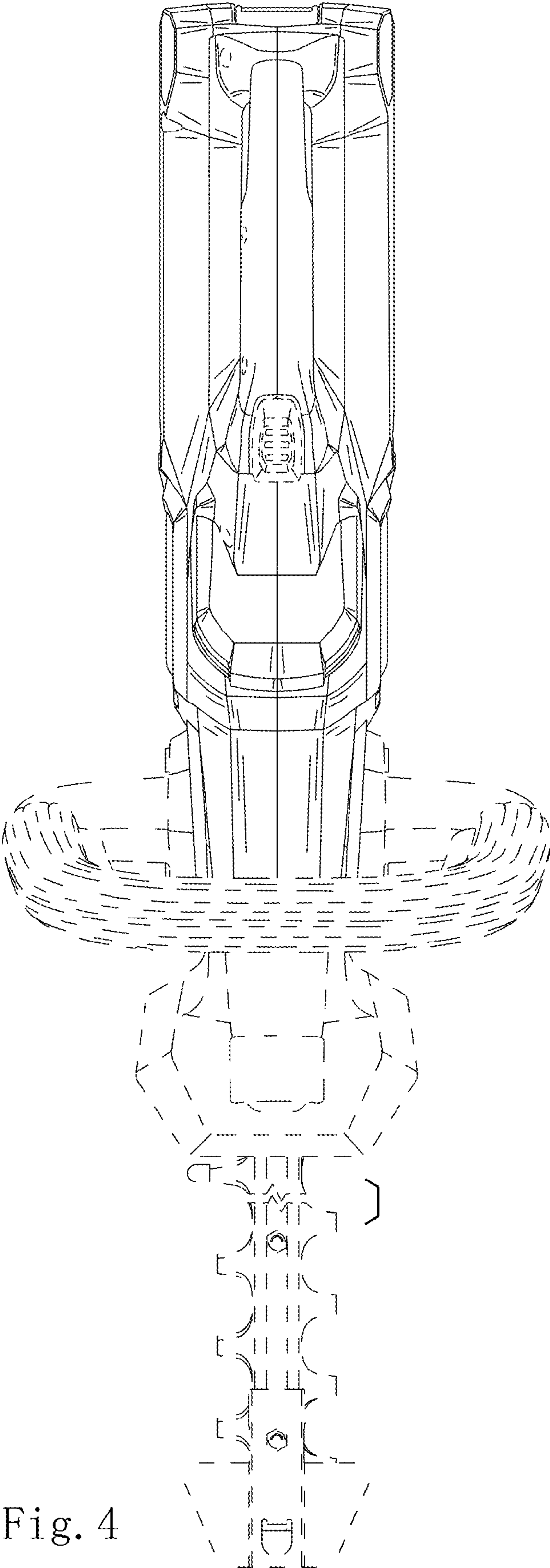


Fig. 4

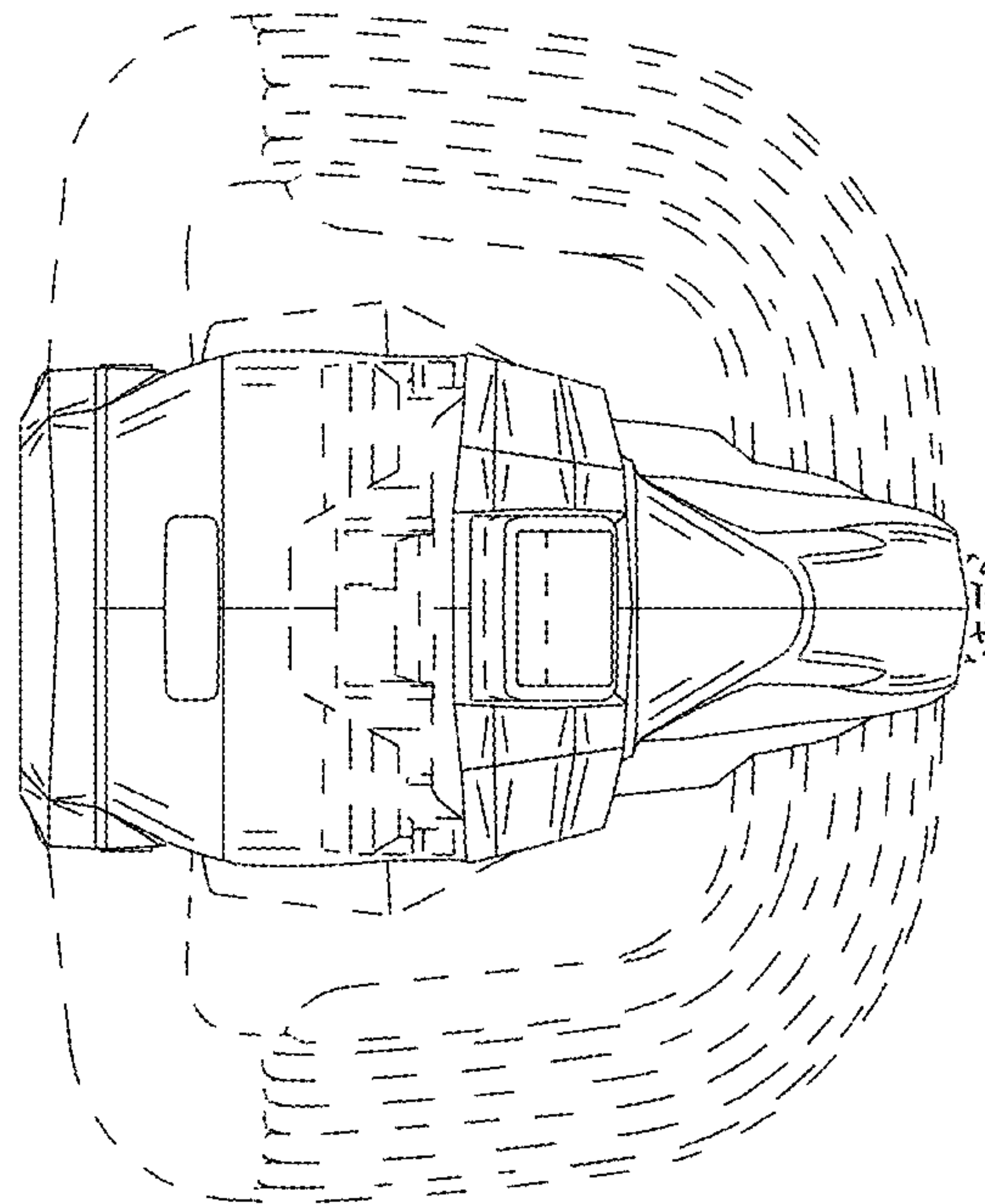


Fig. 5

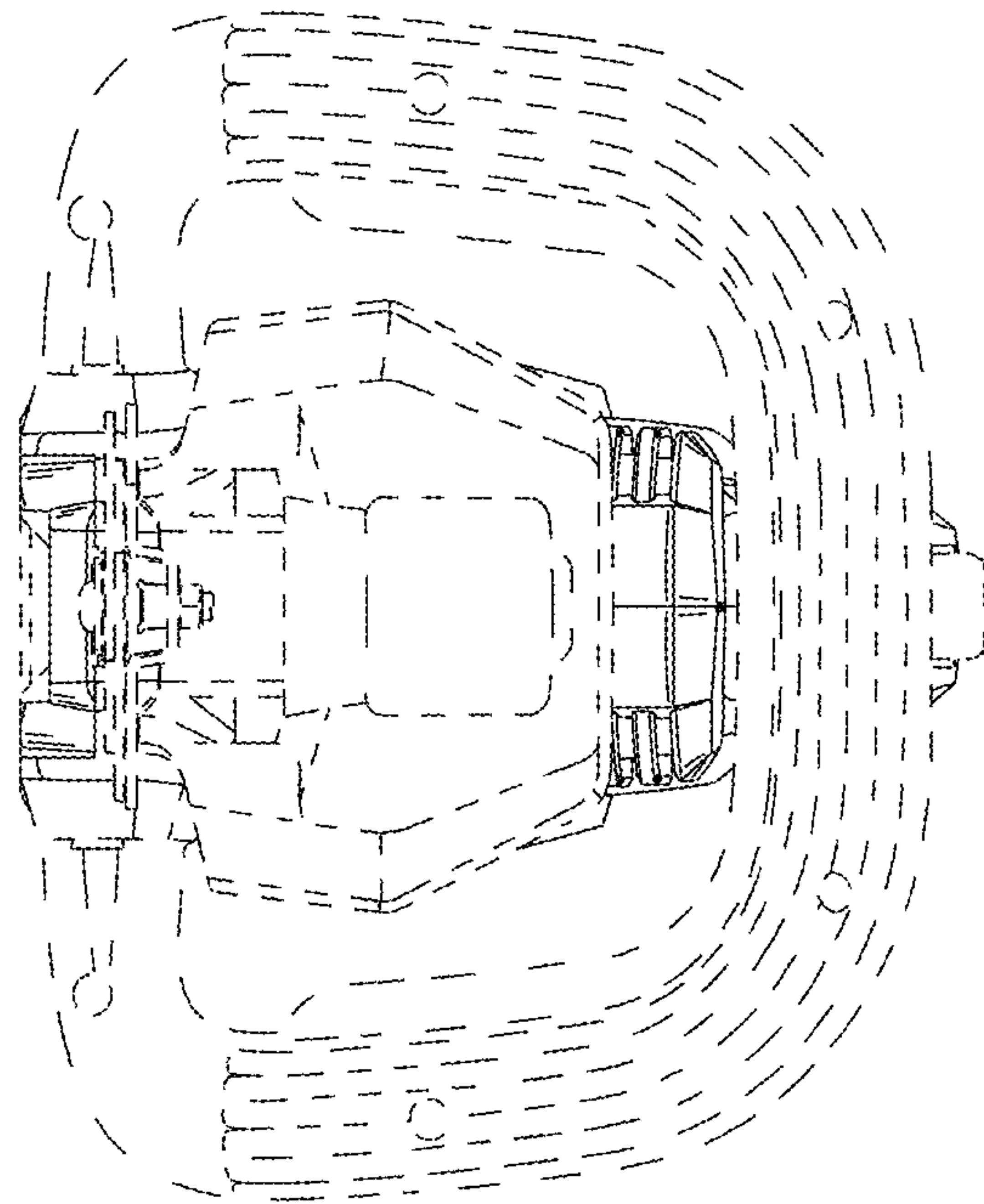


Fig. 6

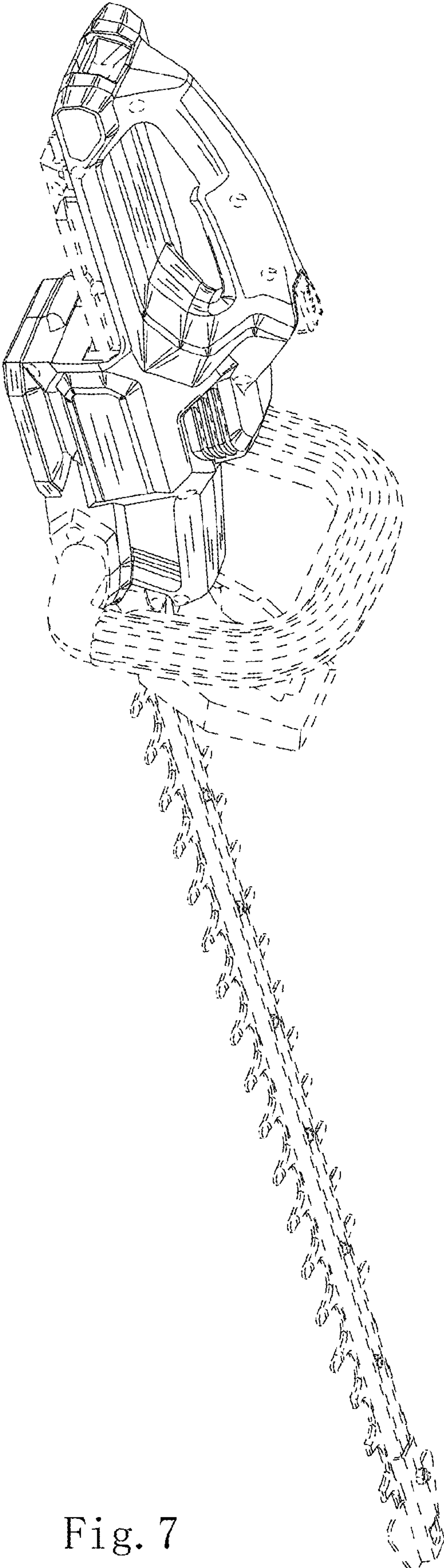


Fig. 7