



US00D910385S

(12) **United States Design Patent** (10) **Patent No.:** **US D910,385 S**
Kieling et al. (45) **Date of Patent:** **** Feb. 16, 2021**

(54) **STORAGE CONTAINER**

- (71) Applicant: **PackIt, LLC**, Westlake Village, CA (US)
- (72) Inventors: **Melissa Kieling**, Westlake Village, CA (US); **Roland Ecarma**, Westlake Village, CA (US); **Kate Abdelmalek**, Santa Monica, CA (US); **Scot Herbst**, Santa Cruz, CA (US); **Will Hunter**, Santa Cruz, CA (US); **Eamonn Kelly**, Santa Cruz, CA (US)
- (73) Assignee: **PACKIT, LLC**, Westlake Village, CA (US)

(**) Term: **15 Years**

(21) Appl. No.: **29/683,475**

(22) Filed: **Mar. 13, 2019**

(51) **LOC (13) Cl.** **07-01**

(52) **U.S. Cl.**
USPC **D7/629**

(58) **Field of Classification Search**
USPC D3/272, 273, 276, 279, 282, 294, 298,
D3/905, 262, 302; D7/602, 629
CPC B25H 3/02; B65D 1/24; B65D 25/06
See application file for complete search history.

(56) **References Cited**

U.S. PATENT DOCUMENTS

- D246,560 S * 12/1977 Beauchamp D7/629
- 4,593,816 A * 6/1986 Langenbeck B65D 25/06
206/425
- 5,244,268 A 9/1993 Derrickson
- D369,282 S * 4/1996 Arduini D7/542

(Continued)

FOREIGN PATENT DOCUMENTS

- GB 2546125 A 12/2017
- WO 2018144092 A2 8/2018

OTHER PUBLICATIONS

Amazon, PackIt Mod Lunch Bento Food Storage Container, Mint Green , First on sale Apr. 10, 2019. (<https://www.amazon.com/PackIt-Lunch-Bento-Storage-Container/dp/B07QF136XS>) (Year: 2019).*

(Continued)

Primary Examiner — April Rivas
(74) *Attorney, Agent, or Firm* — Vedder Price P.C.

(57) **CLAIM**

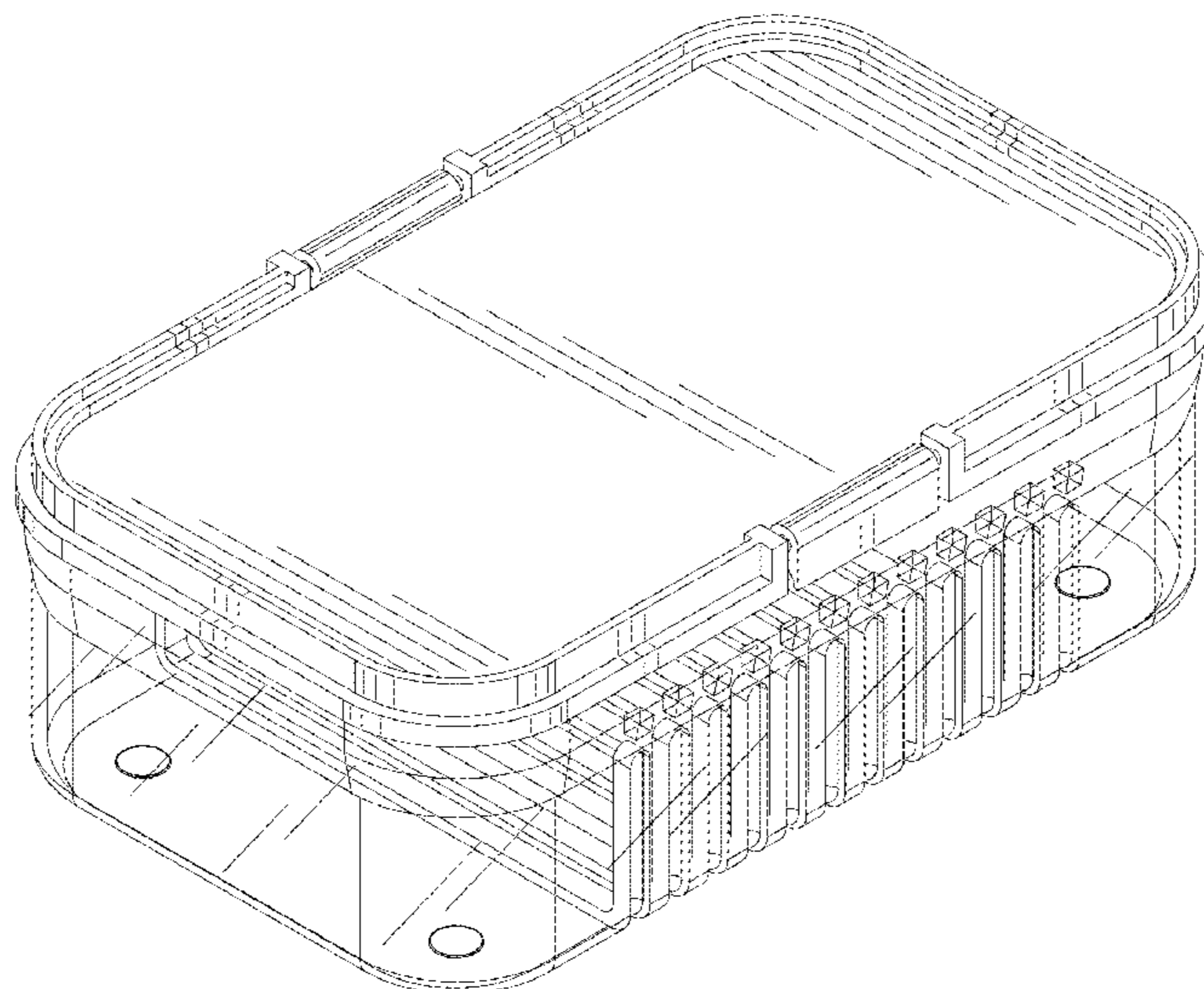
The ornamental design for a storage container, as shown and described.

DESCRIPTION

FIG. 1 is a top perspective view of a storage container showing our new design;
 FIG. 2 is an exploded right view thereof;
 FIG. 3 is an exploded left view thereof;
 FIG. 4 is an exploded front view thereof;
 FIG. 5 is an exploded rear view thereof;
 FIG. 6 is a top plan view thereof;
 FIG. 7 is a bottom plan view thereof;
 FIG. 8 is a top perspective view thereof;
 FIG. 9 is a top perspective view with lid thereof;
 FIG. 10 is a top perspective view of an alternative embodiment of FIG. 1;
 FIG. 11 is an exploded right view of FIG. 10;
 FIG. 12 is an exploded left view of FIG. 10;
 FIG. 13 is an exploded front view of FIG. 10;
 FIG. 14 is an exploded rear view of FIG. 10;
 FIG. 15 is a top plan view of FIG. 10;
 FIG. 16 is a bottom plan view of FIG. 10; and,
 FIG. 17 is a top perspective view of FIG. 10.

The container is shown without the lid for convenience of illustration only. The broken lines illustrate unclaimed portions of the design and environment and form no part of the claimed design.

1 Claim, 14 Drawing Sheets



(56)

References Cited

U.S. PATENT DOCUMENTS

D375,836	S *	11/1996	Conti	D3/304
D387,558	S *	12/1997	Mann	D3/307
7,607,540	B2	10/2009	Ballard	
7,828,457	B2	11/2010	Davidoff et al.	
8,573,002	B2	11/2013	Ledoux et al.	
D698,206	S *	1/2014	Molayem	D7/629
D698,609	S *	2/2014	Duvigneau	D7/602
8,844,756	B2	9/2014	Beyburg	
D730,699	S *	6/2015	Mok	D7/602
D741,705	S *	10/2015	Astorga	D9/425
D746,675	S *	1/2016	Astorga	D9/425
D815,924	S *	4/2018	Croft	D7/629
D874,822	S *	2/2020	Shafir	D3/282
2004/0188204	A1	9/2004	Wilkins-Langie et al.	
2009/0223971	A1	9/2009	Moffett	
2010/0084443	A1	4/2010	Adelman	
2010/0263399	A1	10/2010	Pollina et al.	
2010/0307878	A1	12/2010	Giglio	
2014/0103033	A1 *	4/2014	Beckman	B65D 25/04 220/4.01
2017/0290400	A1	10/2017	Thomas	
2018/0094853	A1	4/2018	McCurry et al.	

OTHER PUBLICATIONS

United States Plastic Corp.; Akro-Mils Multi-Load Tote, Cups; Aug. 28, 2018; 2 pages.
 LiuBella; Amazon.com; Deluxe Makeup Organizer Bag; Aug. 28, 2018; 8 pages.
 Packir; Amazon.com; PK-86A Backpack Food Delivery Bag with Dividers; Aug. 28, 2018; 6 pages.

* cited by examiner

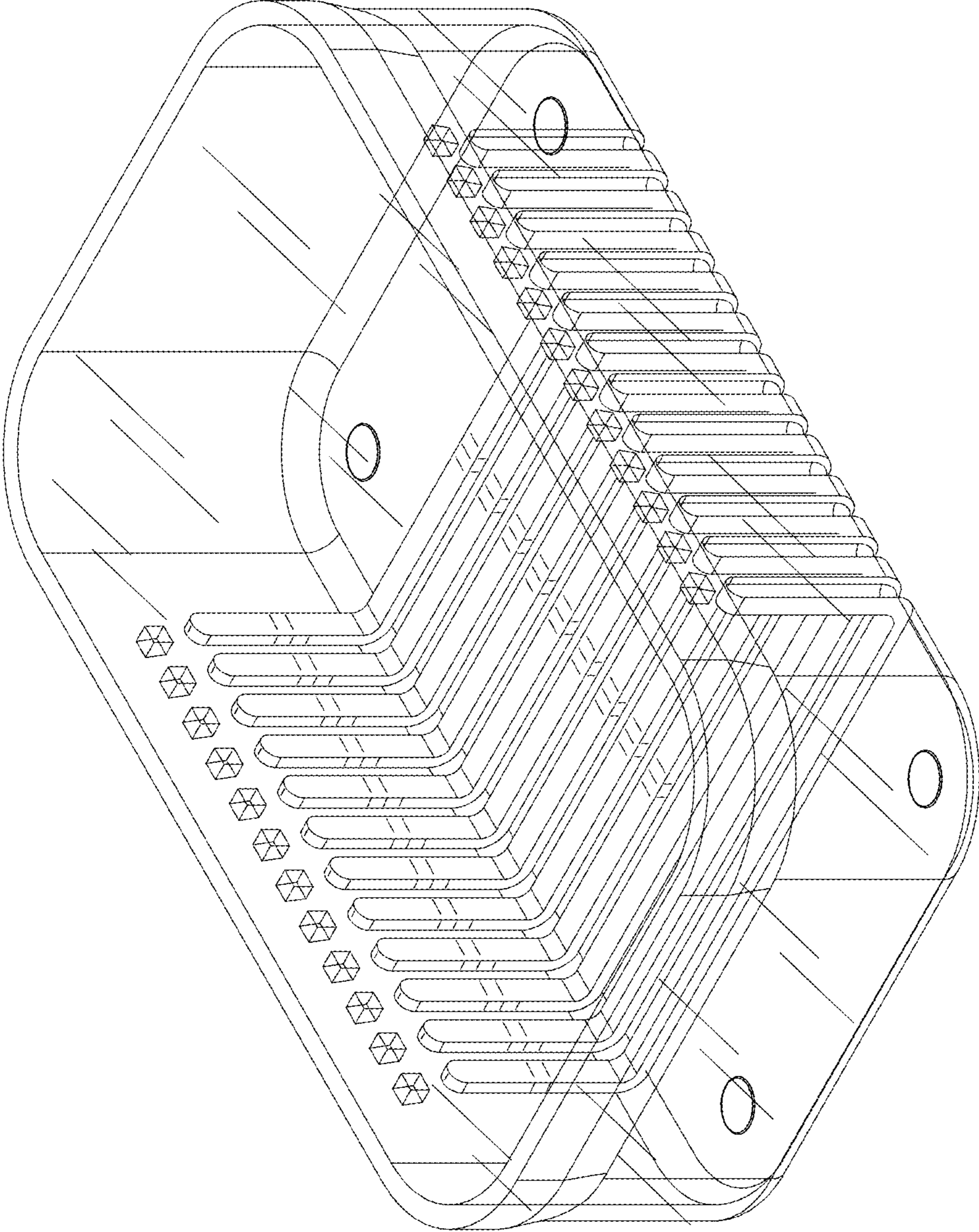


FIG. 1

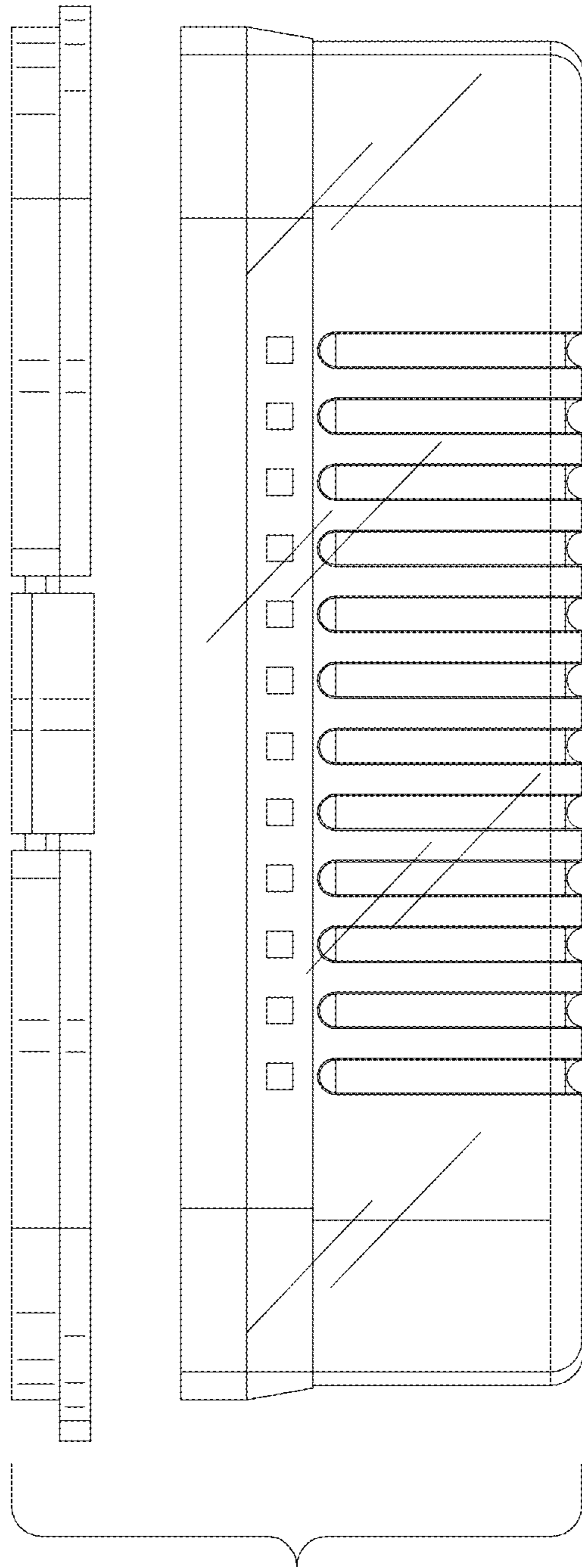


FIG. 2

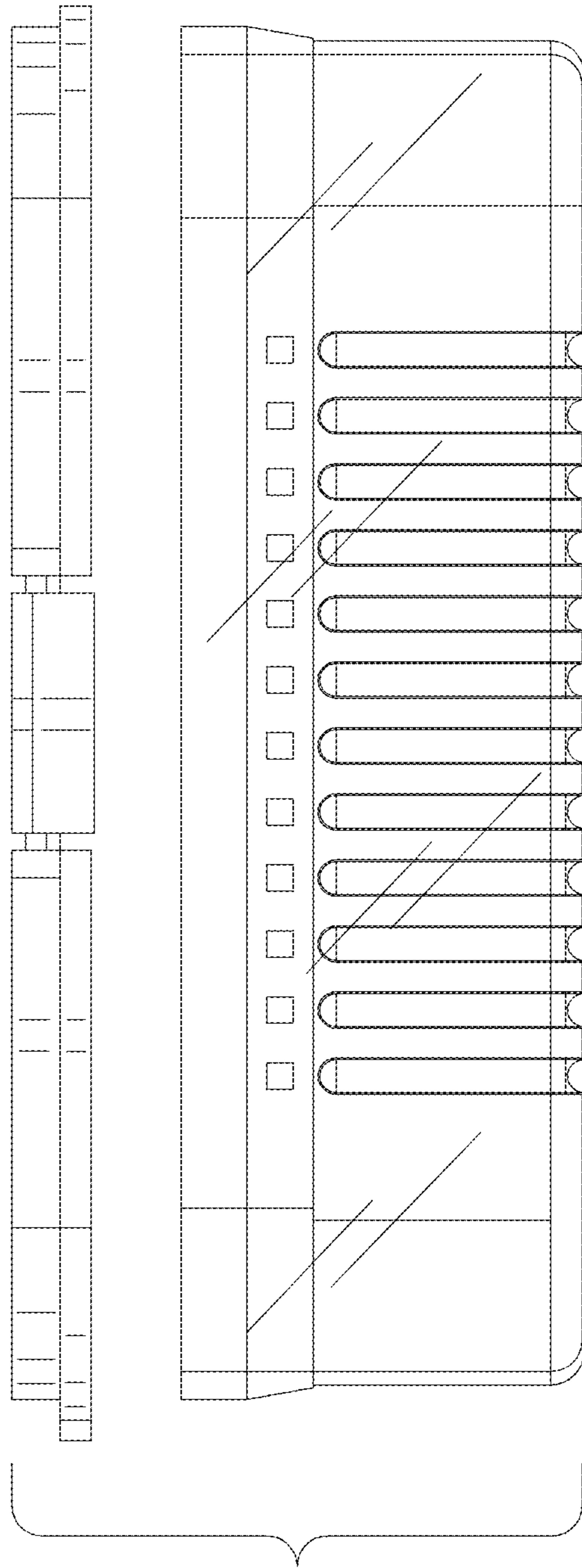


FIG. 3

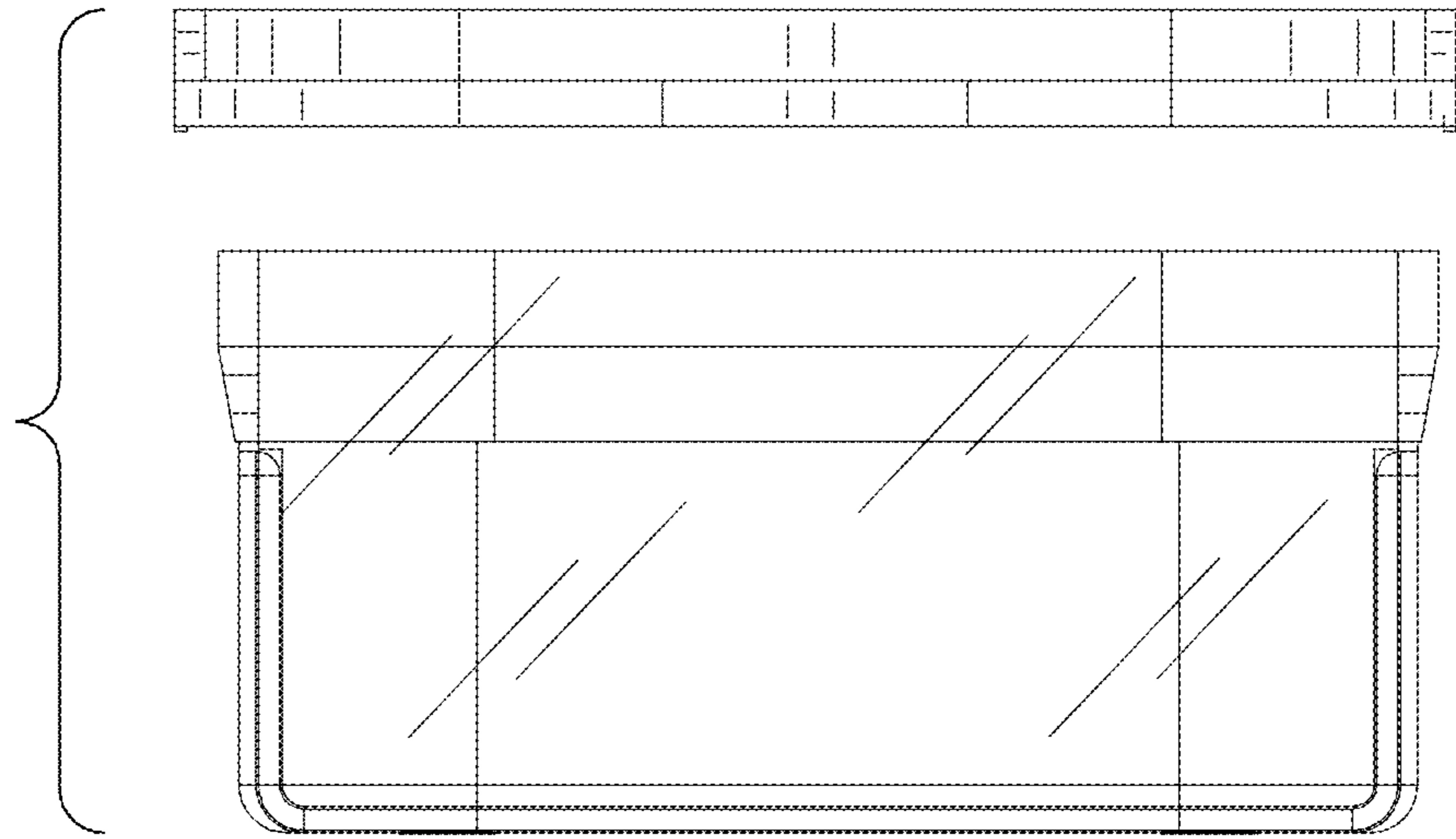


FIG. 4

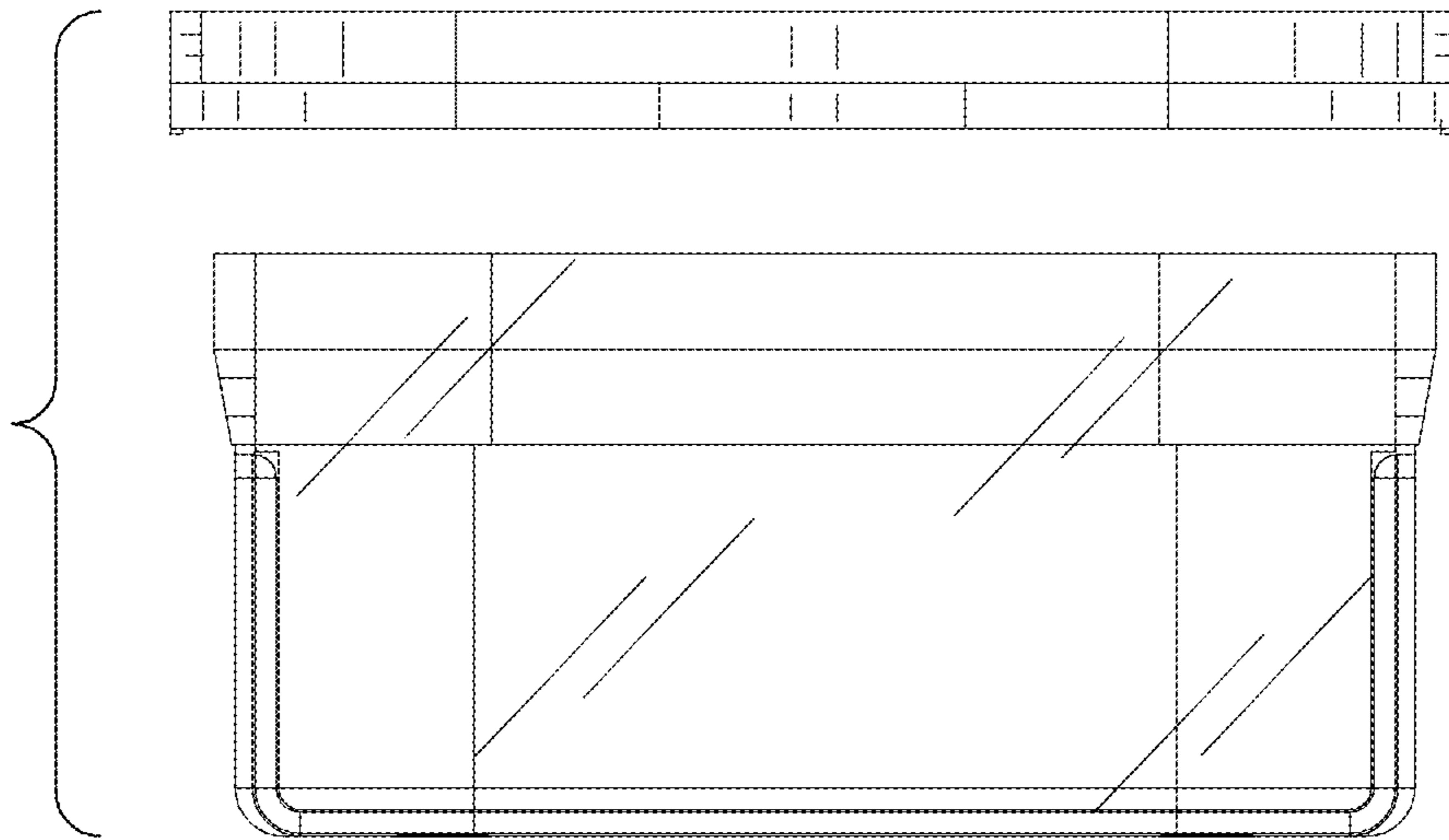


FIG. 5

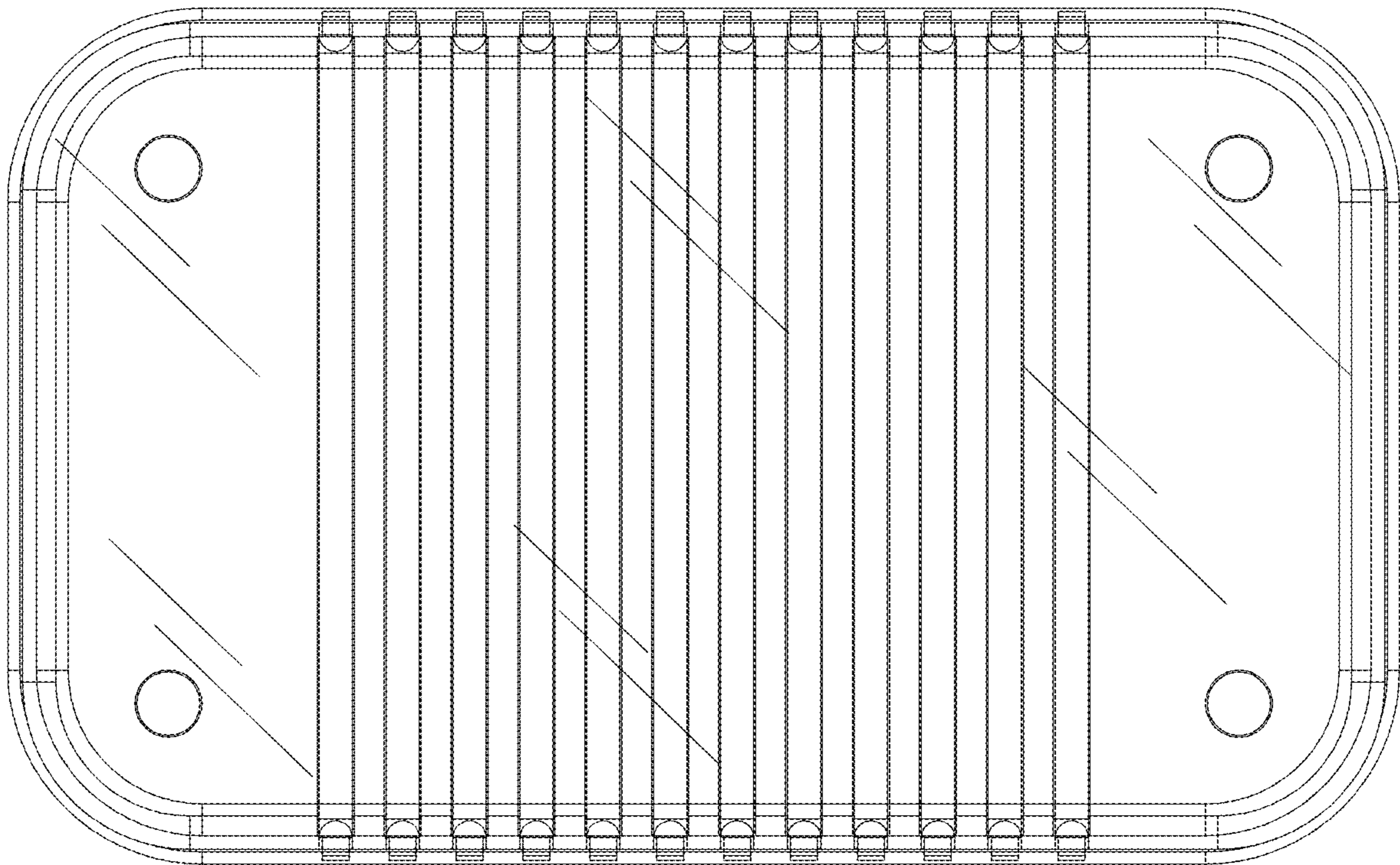


FIG. 6

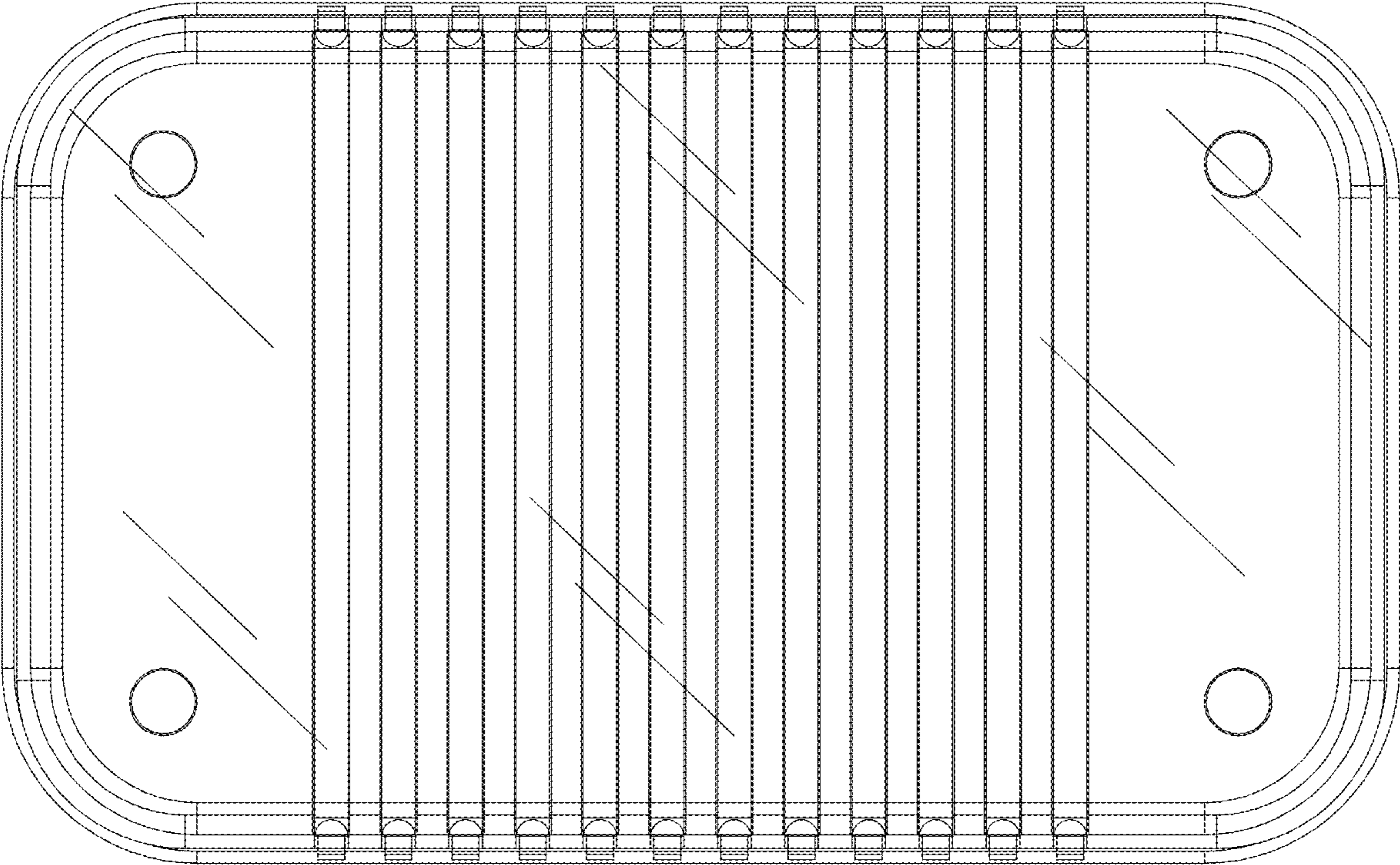


FIG. 7

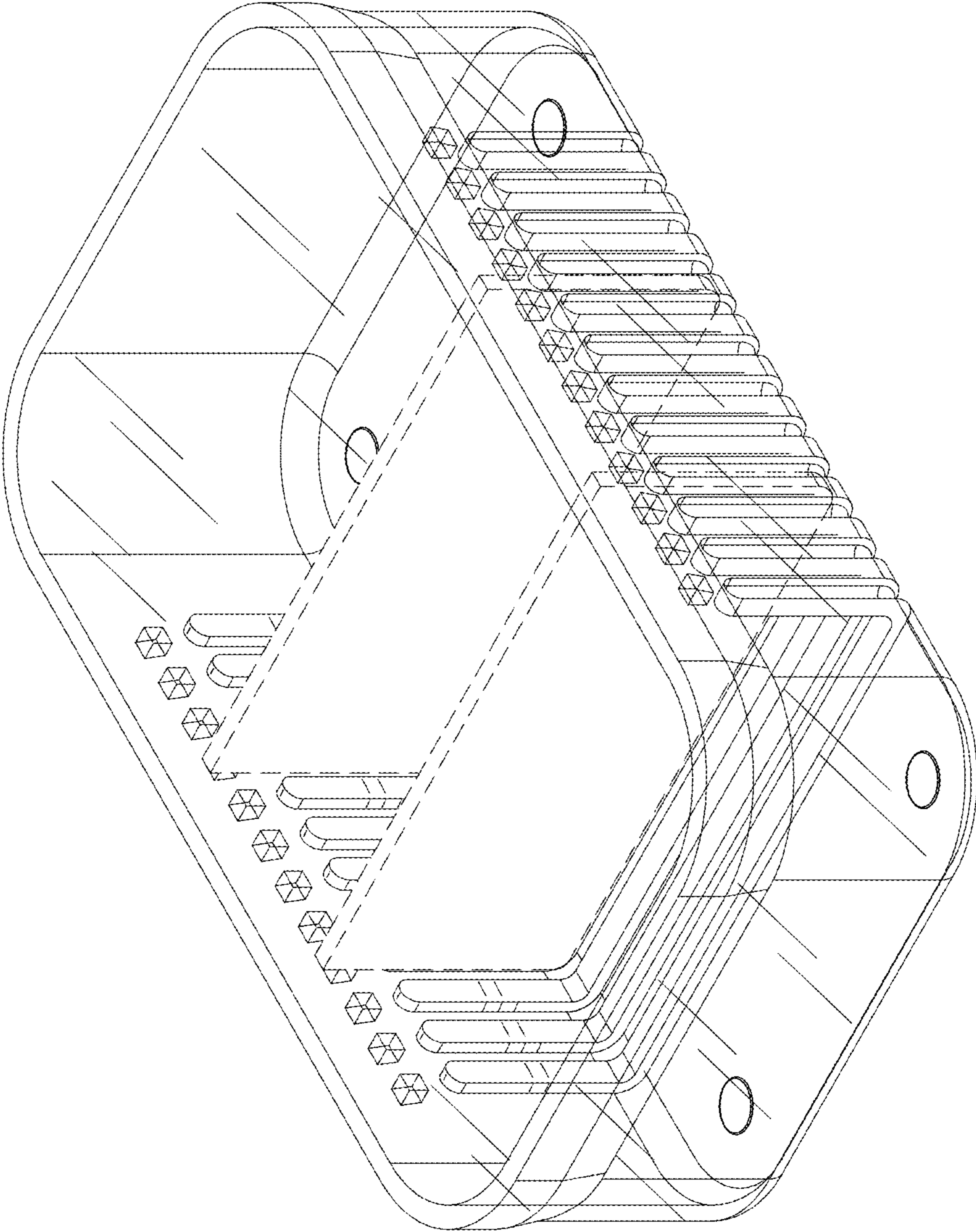


FIG. 8

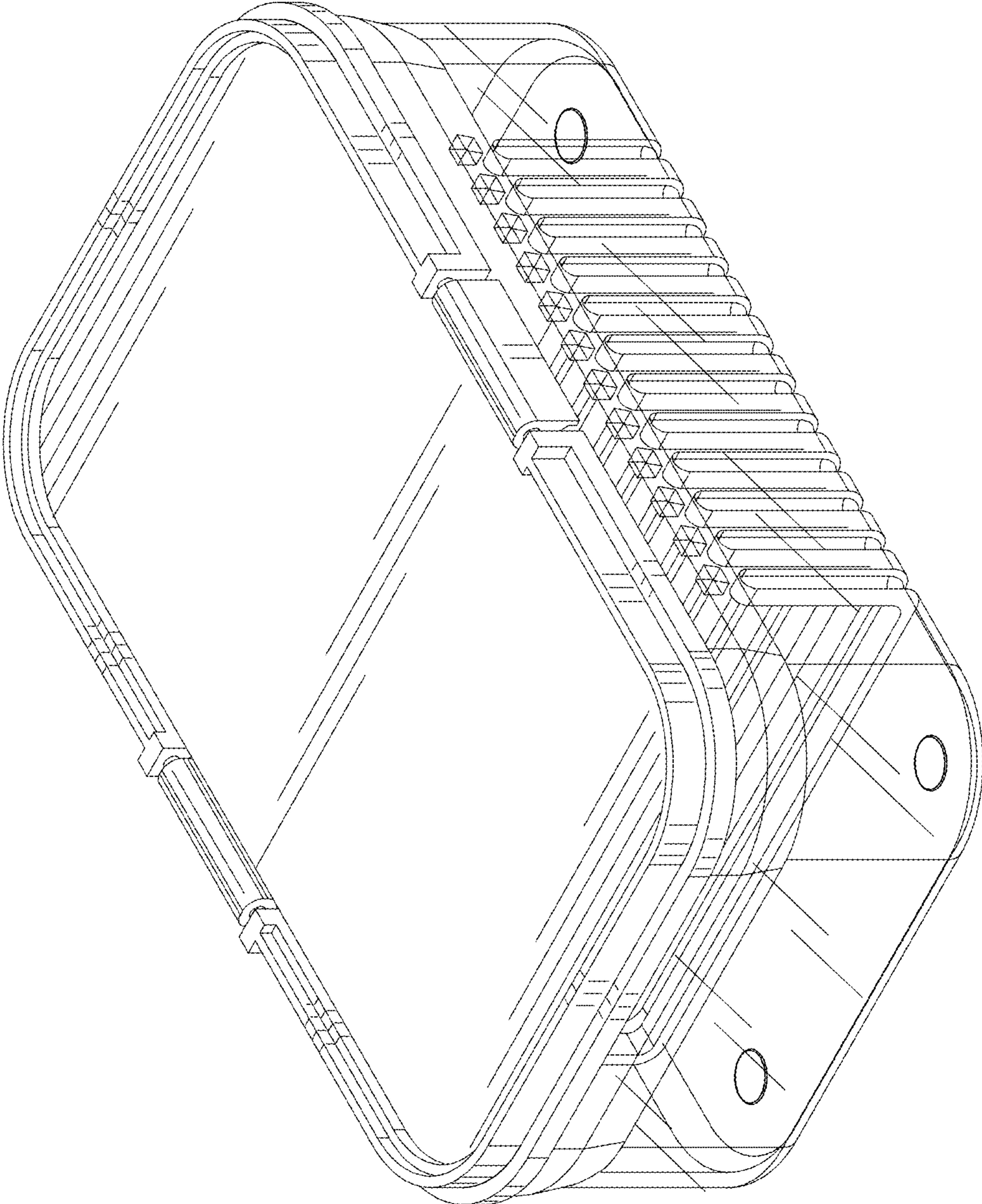


FIG. 9

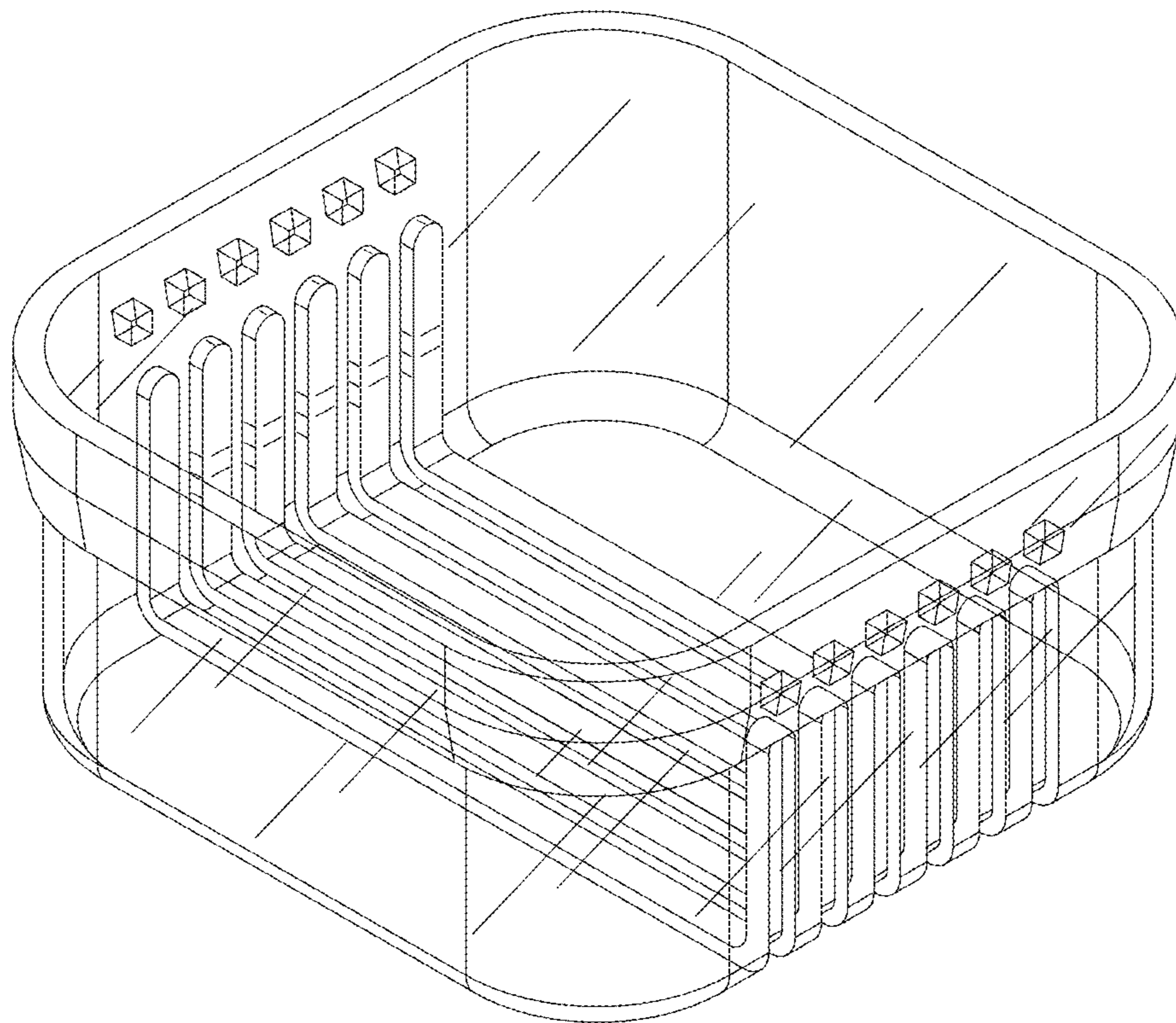


FIG. 10

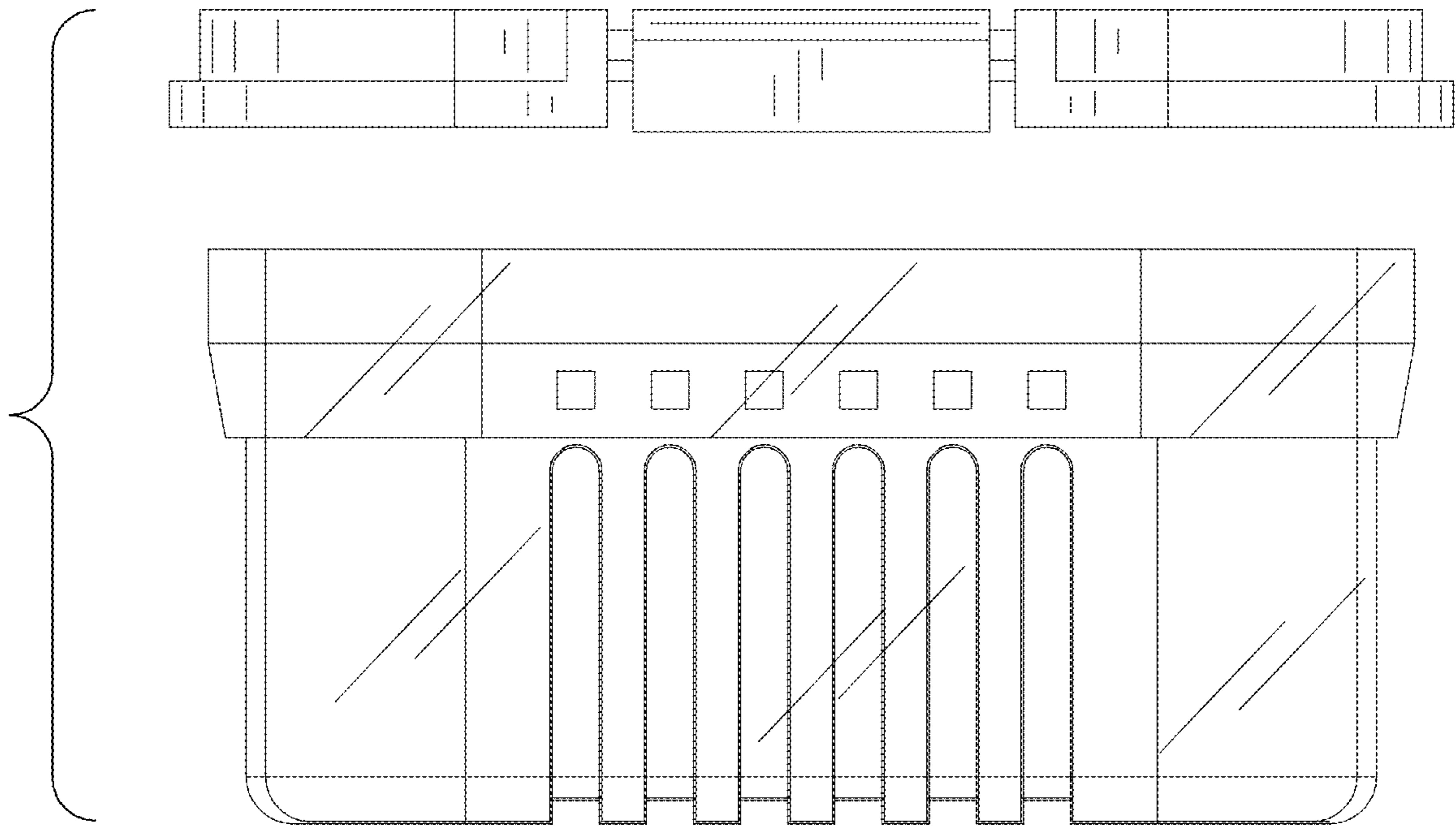


FIG. 11

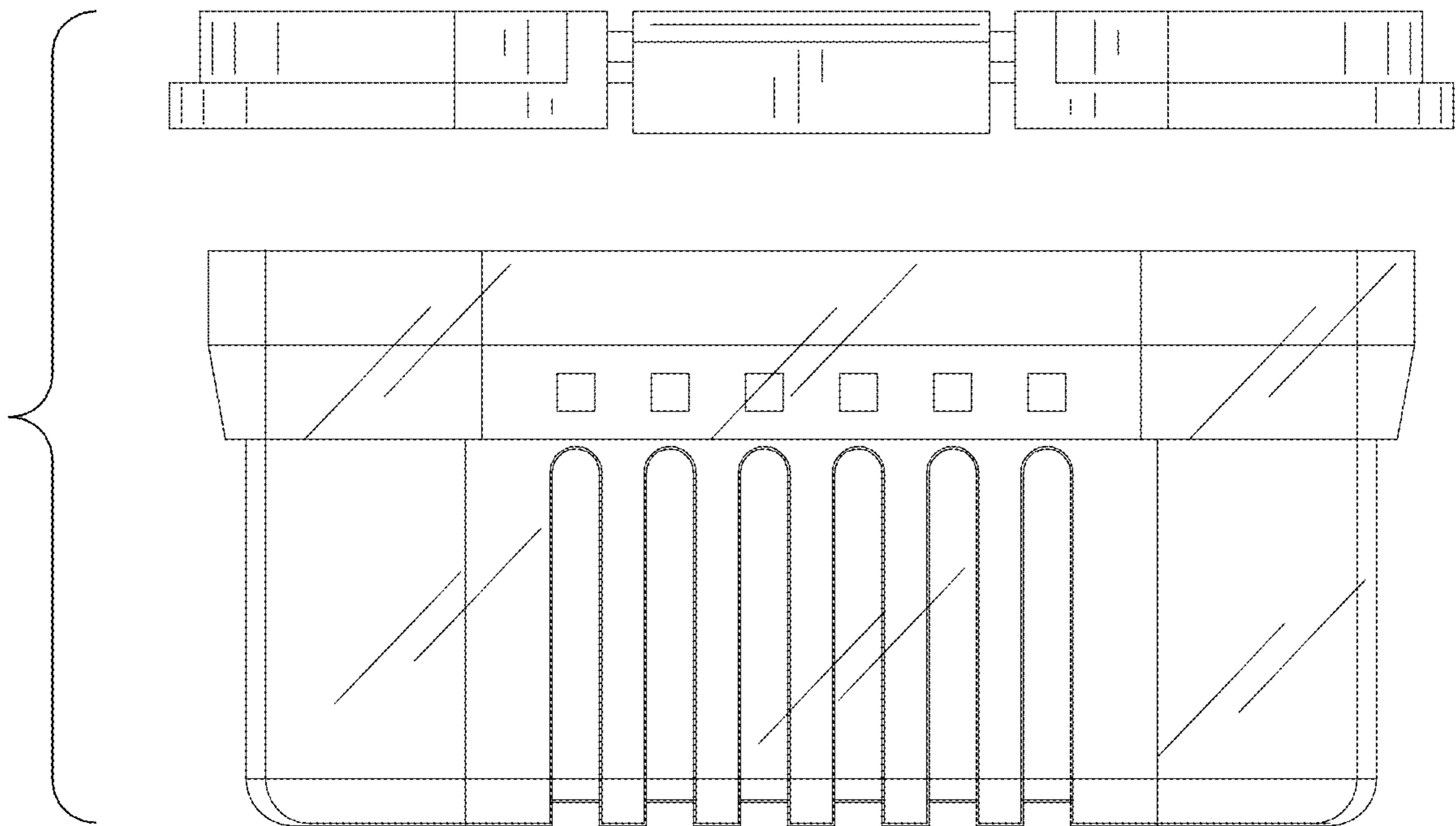


FIG. 12

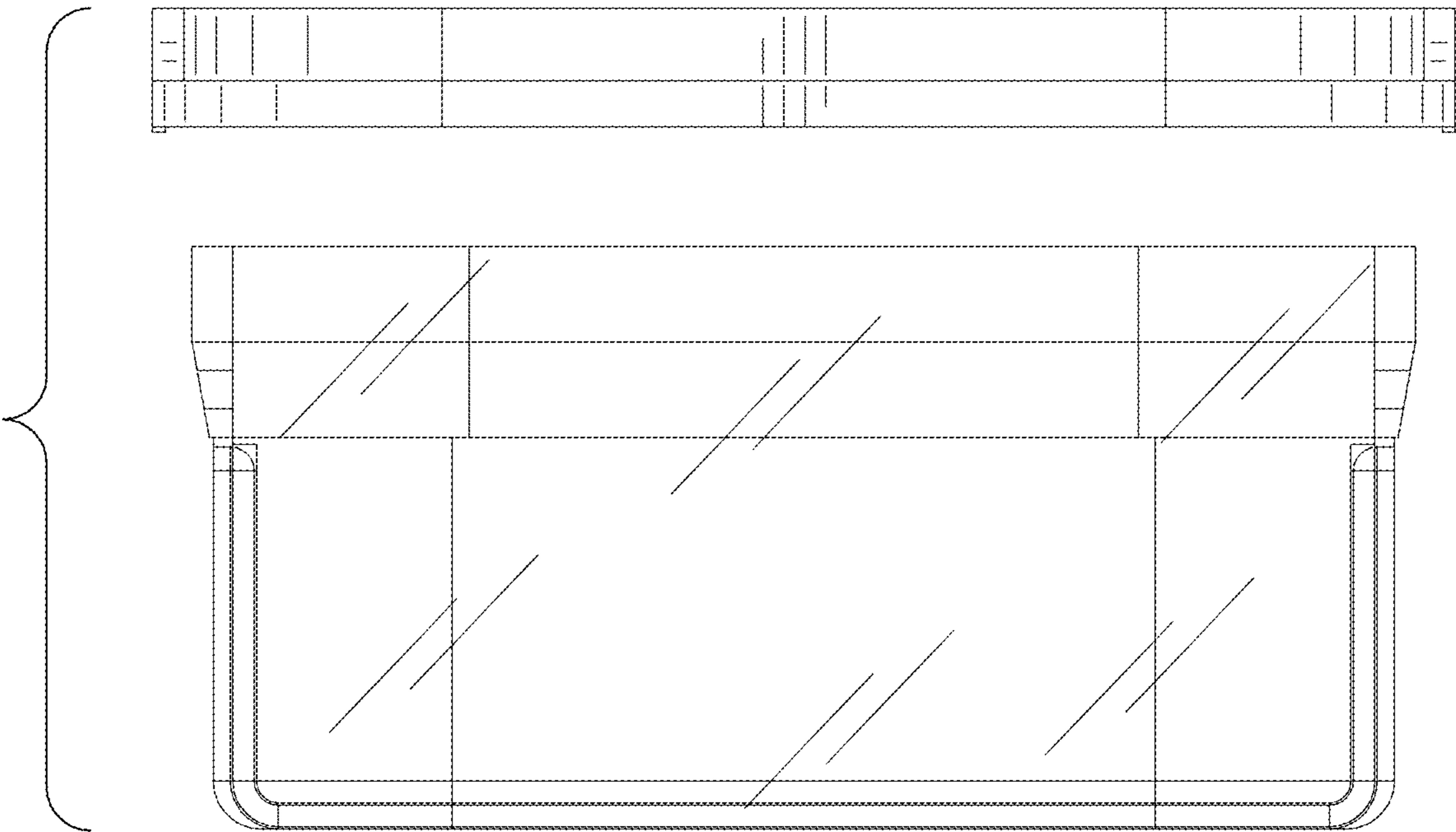


FIG. 13

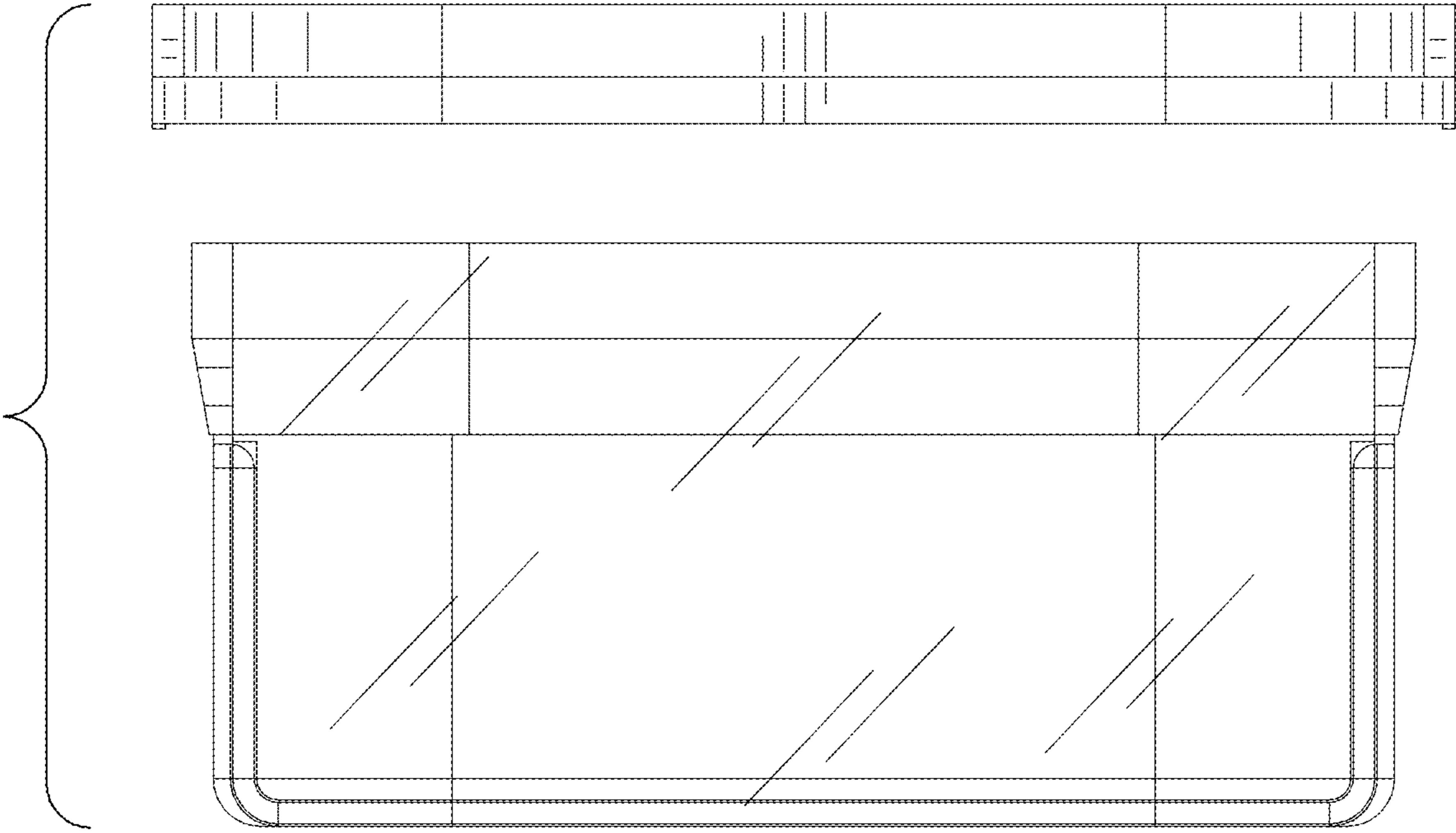


FIG. 14

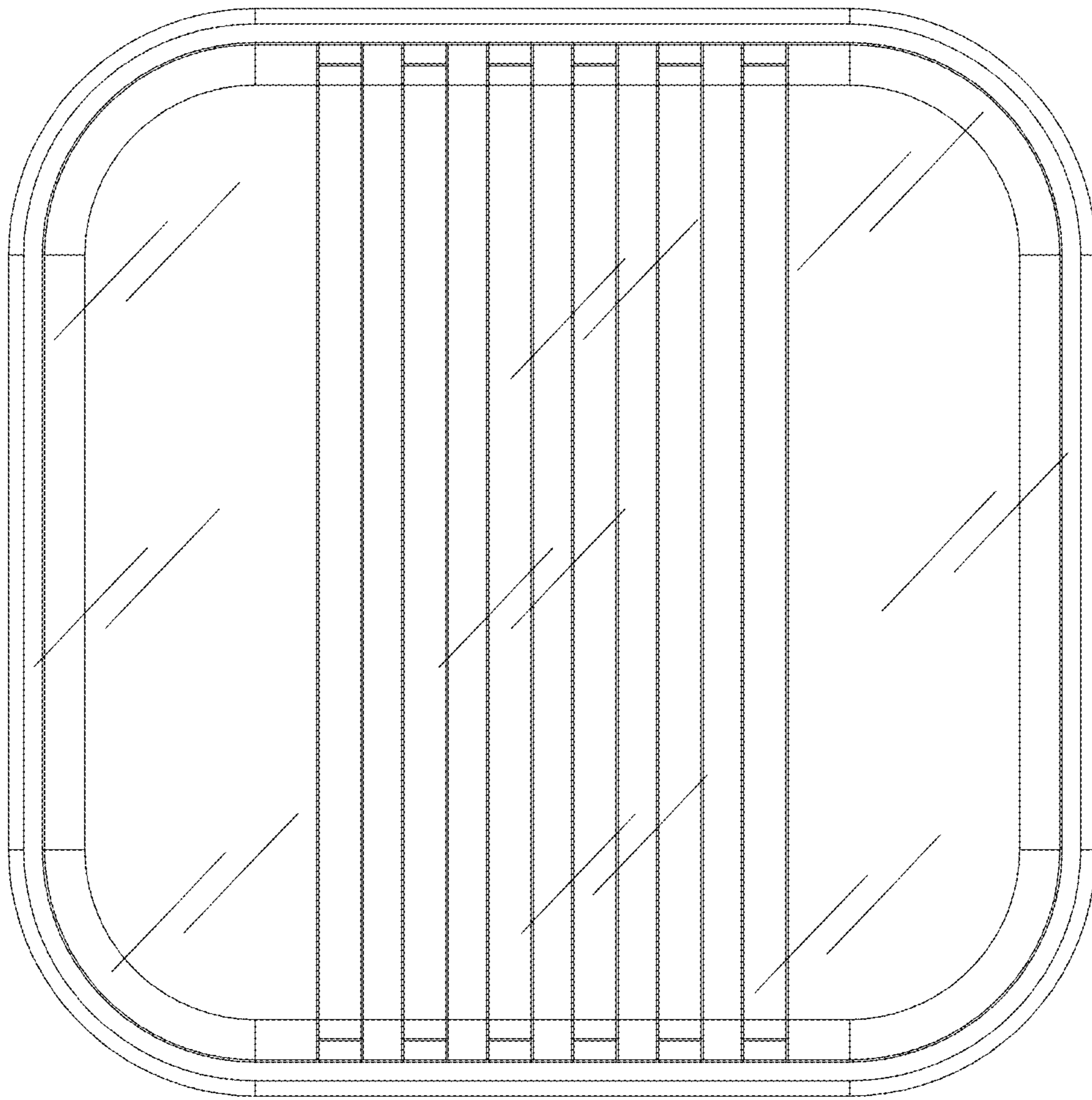


FIG. 15

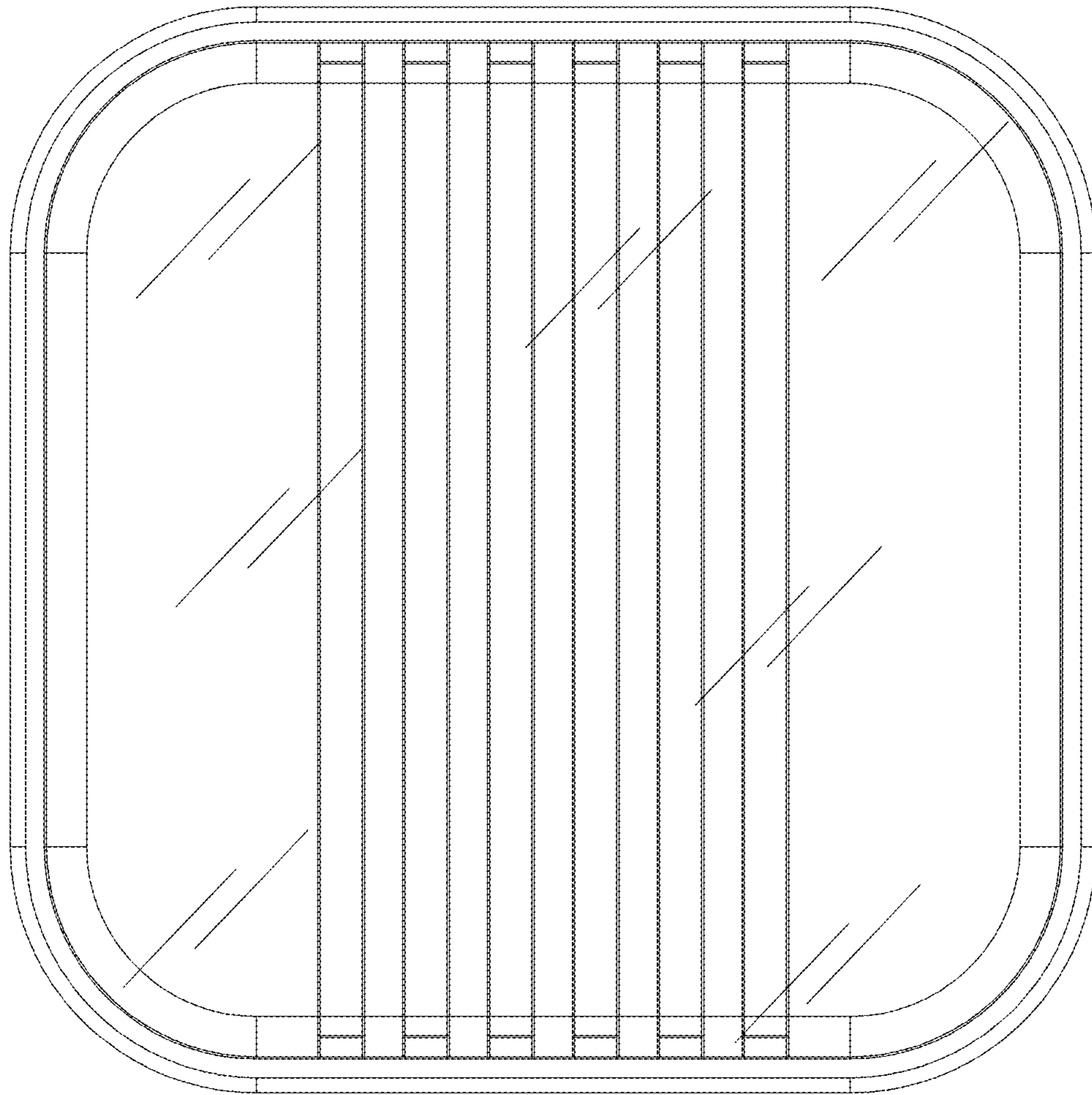


FIG. 16

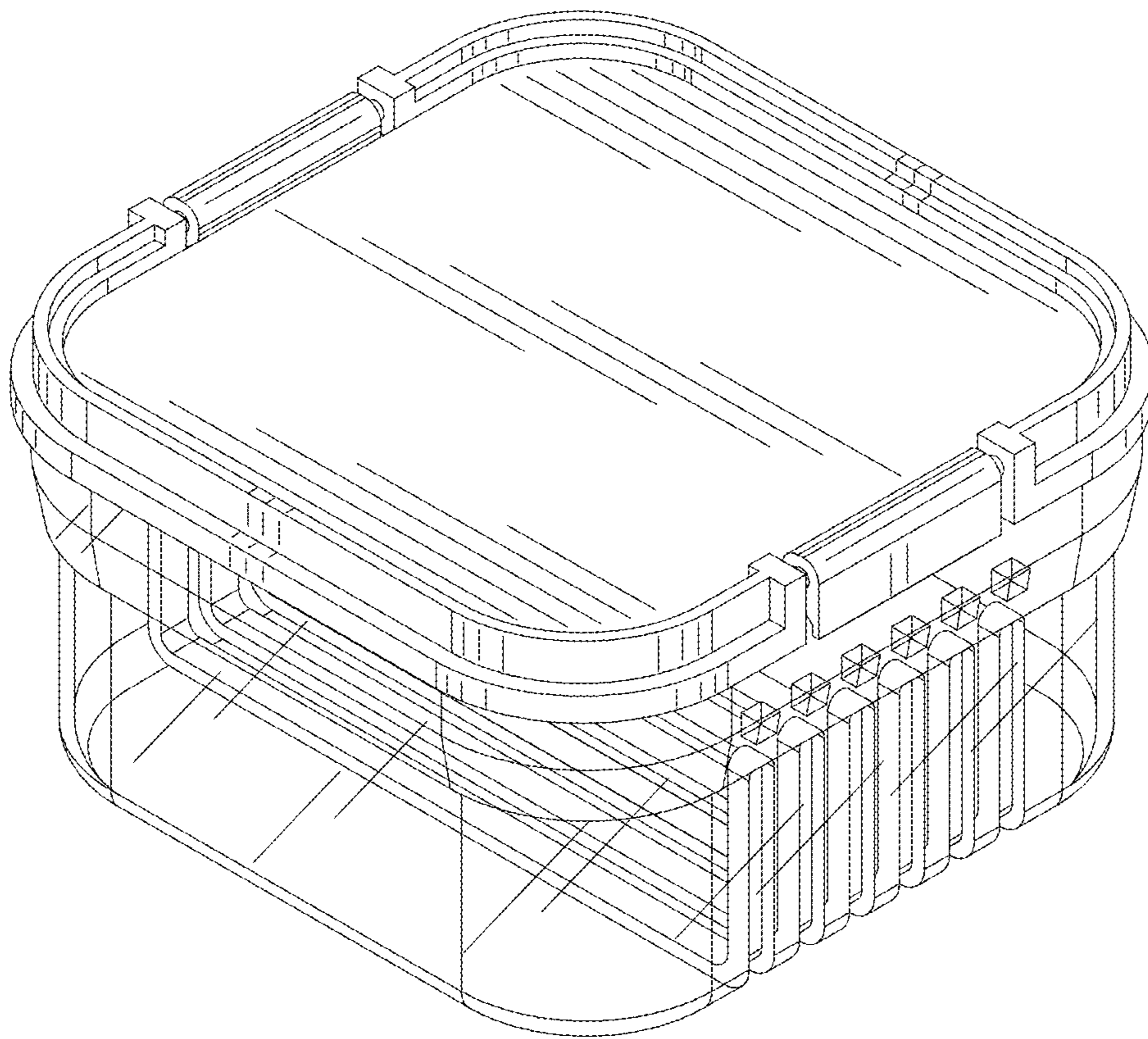


FIG. 17