



US00D910380S

(12) **United States Design Patent**
Cabrera et al.

(10) **Patent No.:** **US D910,380 S**

(45) **Date of Patent:** **** Feb. 16, 2021**

(54) **THREE-PIECE BEVERAGE TRAY CARRIER SET**

D855,038 S * 7/2019 Hu D14/224
D879,075 S * 3/2020 Xu D14/224
2005/0103957 A1* 5/2005 Chang F16M 11/22
248/127

(71) Applicants: **Mario A. Cabrera**, Banning, CA (US);
Rodolfo R. Cabrera, Lake Havasu
City, AZ (US)

* cited by examiner

Primary Examiner — Kelley A Donnelly

(72) Inventors: **Mario A. Cabrera**, Banning, CA (US);
Rodolfo R. Cabrera, Lake Havasu
City, AZ (US)

(74) *Attorney, Agent, or Firm* — Richard D. Clarke

(57) **CLAIM**

I claim the ornamental design for a three-piece beverage tray carrier set, as shown and described.

(**) Term: **15 Years**

DESCRIPTION

(21) Appl. No.: **29/693,008**

(22) Filed: **May 30, 2019**

(51) **LOC (13) Cl.** **07-01**

(52) **U.S. Cl.**
USPC **D7/552.1**

(58) **Field of Classification Search**

USPC D7/543, 546, 550.1, 552.1, 552.2, 553.2,
D7/553.4, 554.3, 555

CPC A47G 21/08; A47G 23/02; A47G 23/06;
A47G 23/0616; A47G 23/0641; B65D
15/00; B65D 25/00; B65D 5/5021

See application file for complete search history.

FIG. 1 is a top perspective view of a three-piece beverage tray carrier set;

FIG. 2 is a top perspective view of the three-piece beverage tray carrier set shown with one carrier and screw handle;

FIG. 3 is a top perspective view thereof and environment;

FIG. 4 is a right side elevation view thereof shown without the screw handle;

FIG. 5 is a top plan view of FIG. 4;

FIG. 6 is a left side view of FIG. 4;

FIG. 7 is a cross sectional view taken along 7-7 in FIG. 5 of FIG. 4;

FIG. 8 is a bottom view thereof;

FIG. 9 is a top plan view of FIG. 3;

FIG. 10 is a top plan view of FIG. 3 without screw handle;

FIG. 11 is a front view of a coupling handle;

FIG. 12 is a side elevation view of FIG. 11;

FIG. 13 is a side elevation view of a screw handle;

FIG. 14 is a front view thereof; and,

FIG. 15 is a top perspective view of FIG. 2 shown with the screw handle in a storage position.

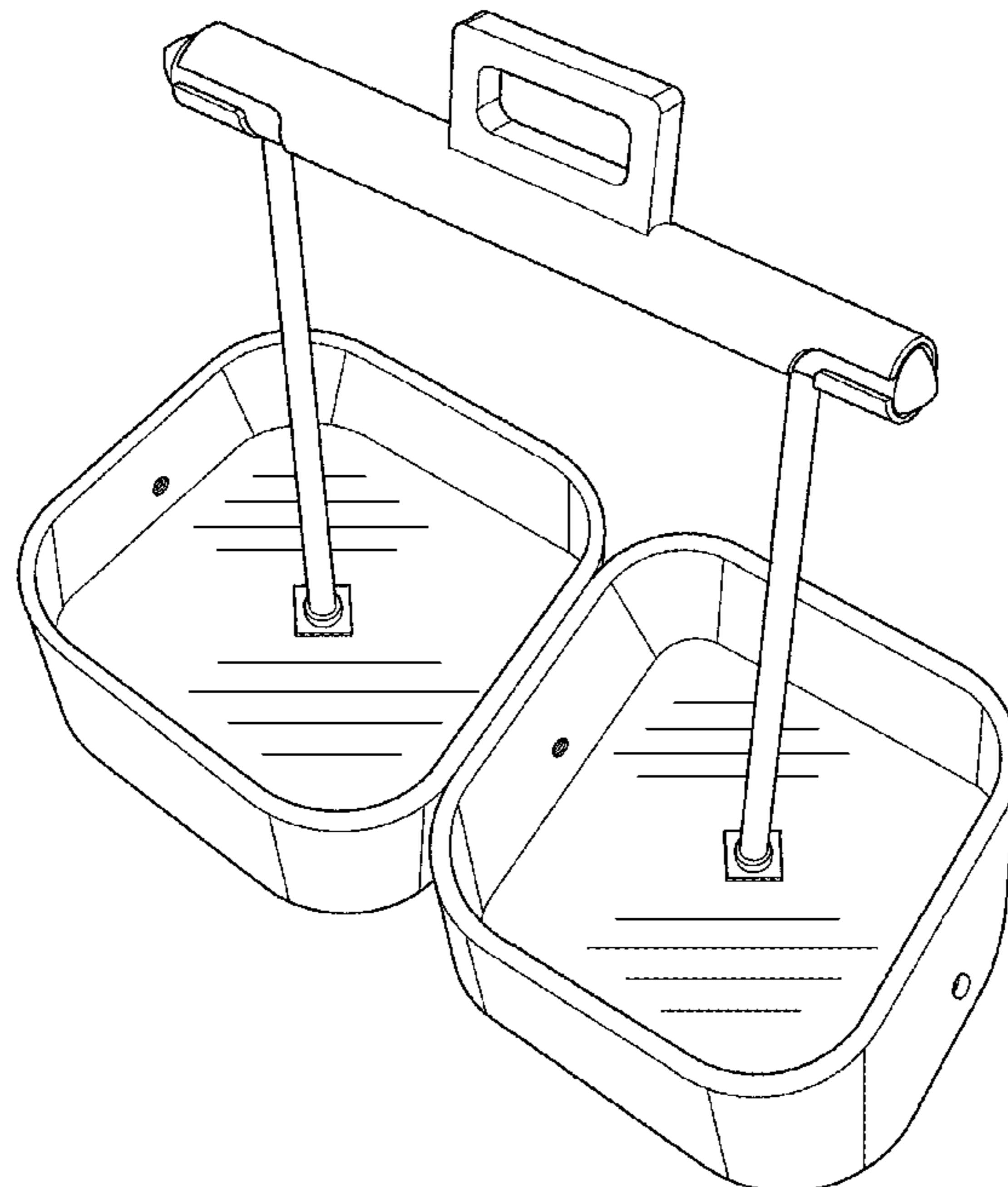
The broken lines in FIGS. 2, 8 and 9 of the drawings show unclaimed environment only and form no part of the claimed design.

(56) **References Cited**

U.S. PATENT DOCUMENTS

D76,744 S * 10/1928 Forman D7/546
D238,845 S * 2/1976 Logue D7/543
4,502,460 A * 3/1985 Kelz A47J 37/0763
126/25 R
D366,394 S * 1/1996 Kypreos D7/543
D688,915 S * 9/2013 Green D3/215
D724,072 S * 3/2015 Jiang D14/253
D828,106 S * 9/2018 Mashburn D7/600

1 Claim, 6 Drawing Sheets



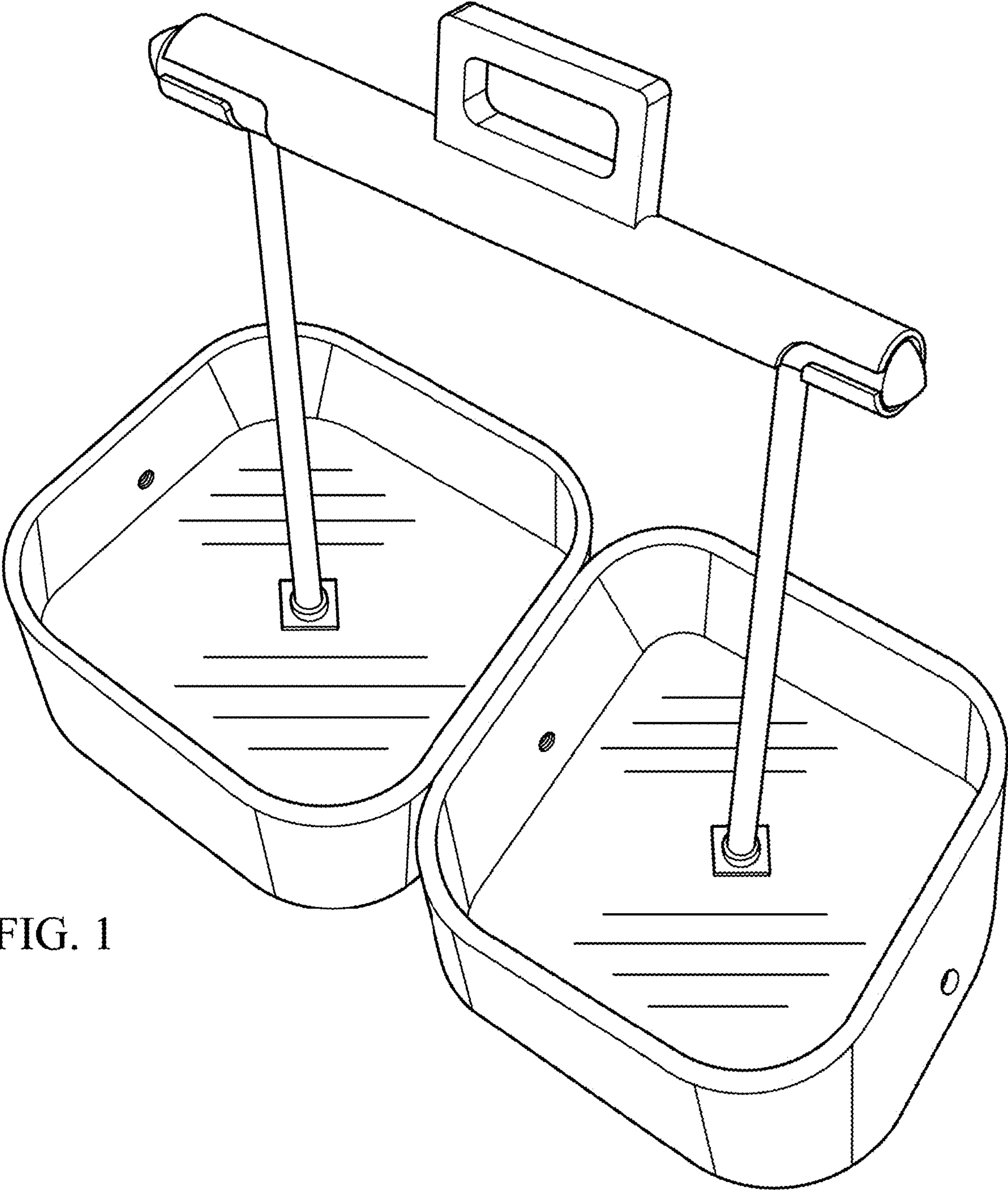


FIG. 1

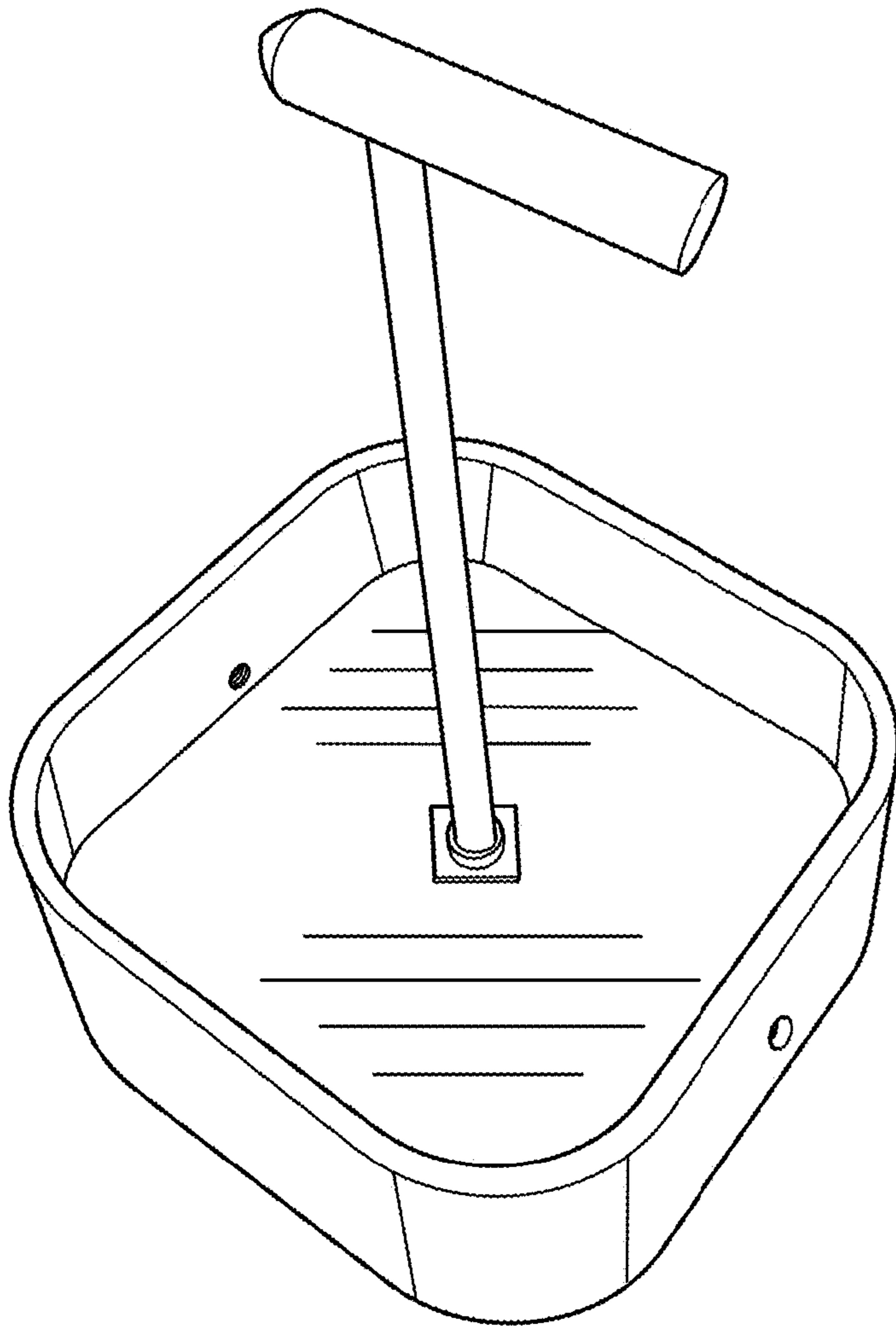


FIG. 2

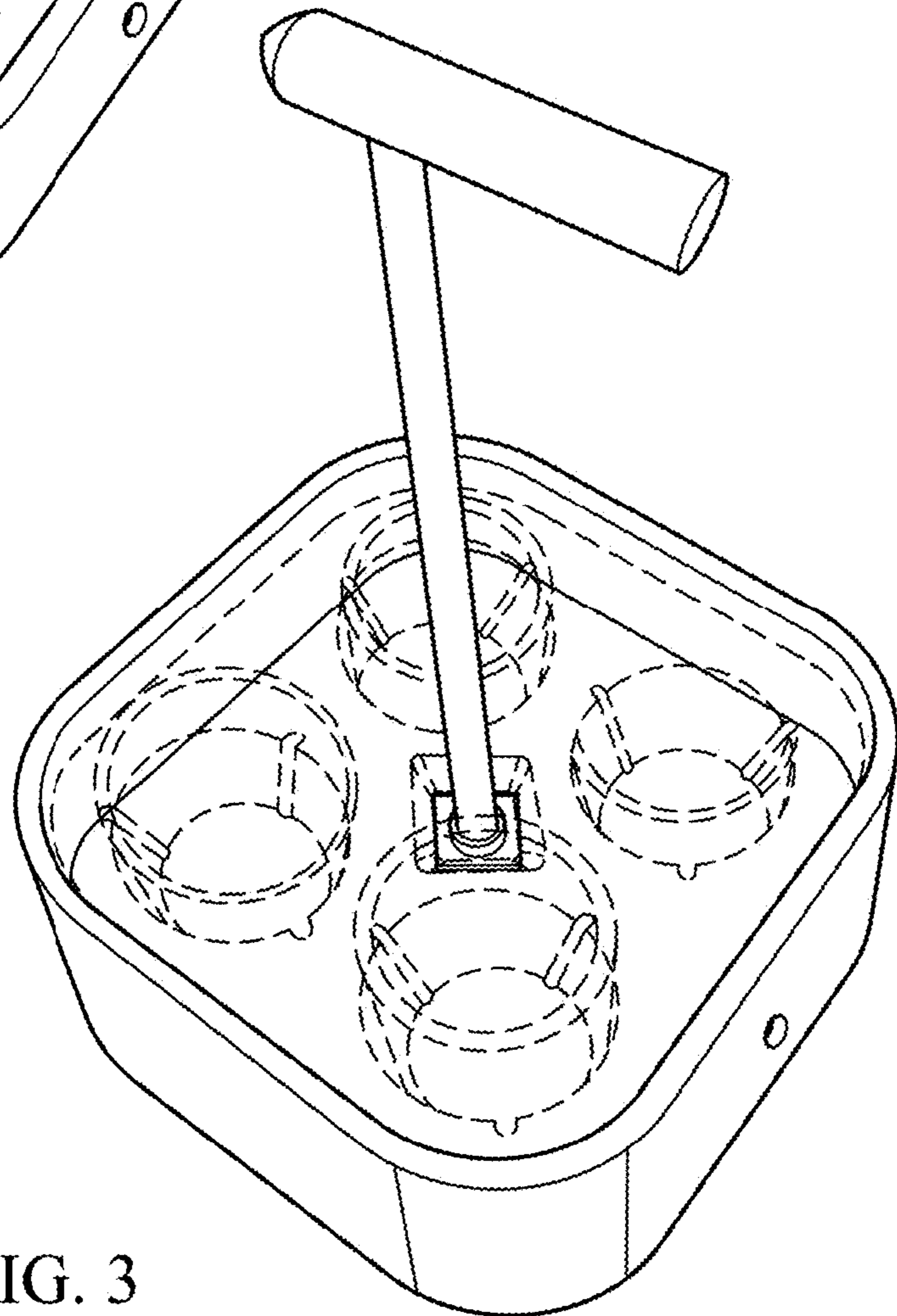


FIG. 3

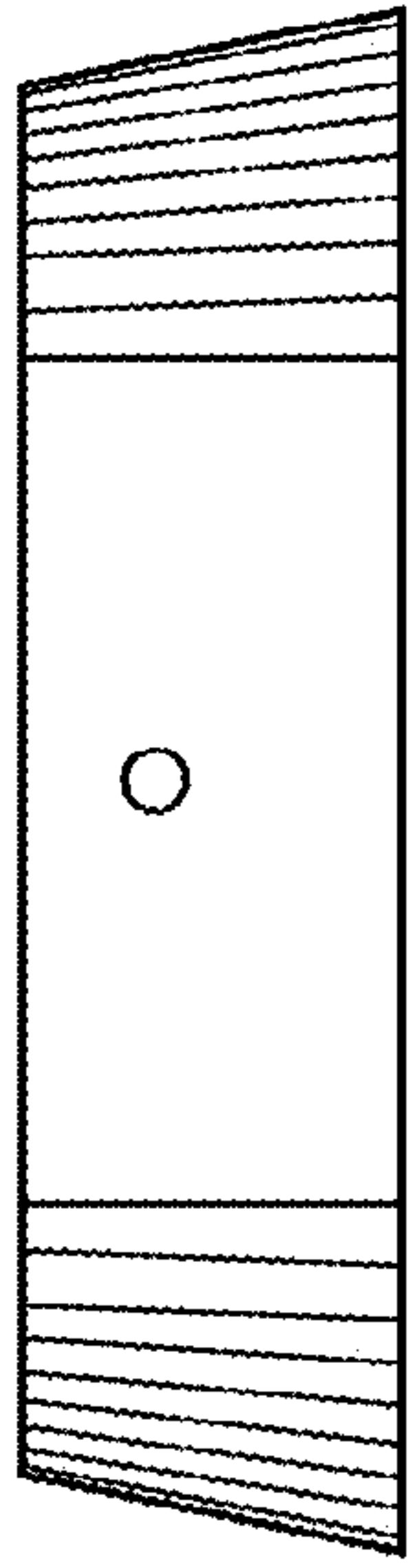


FIG. 4

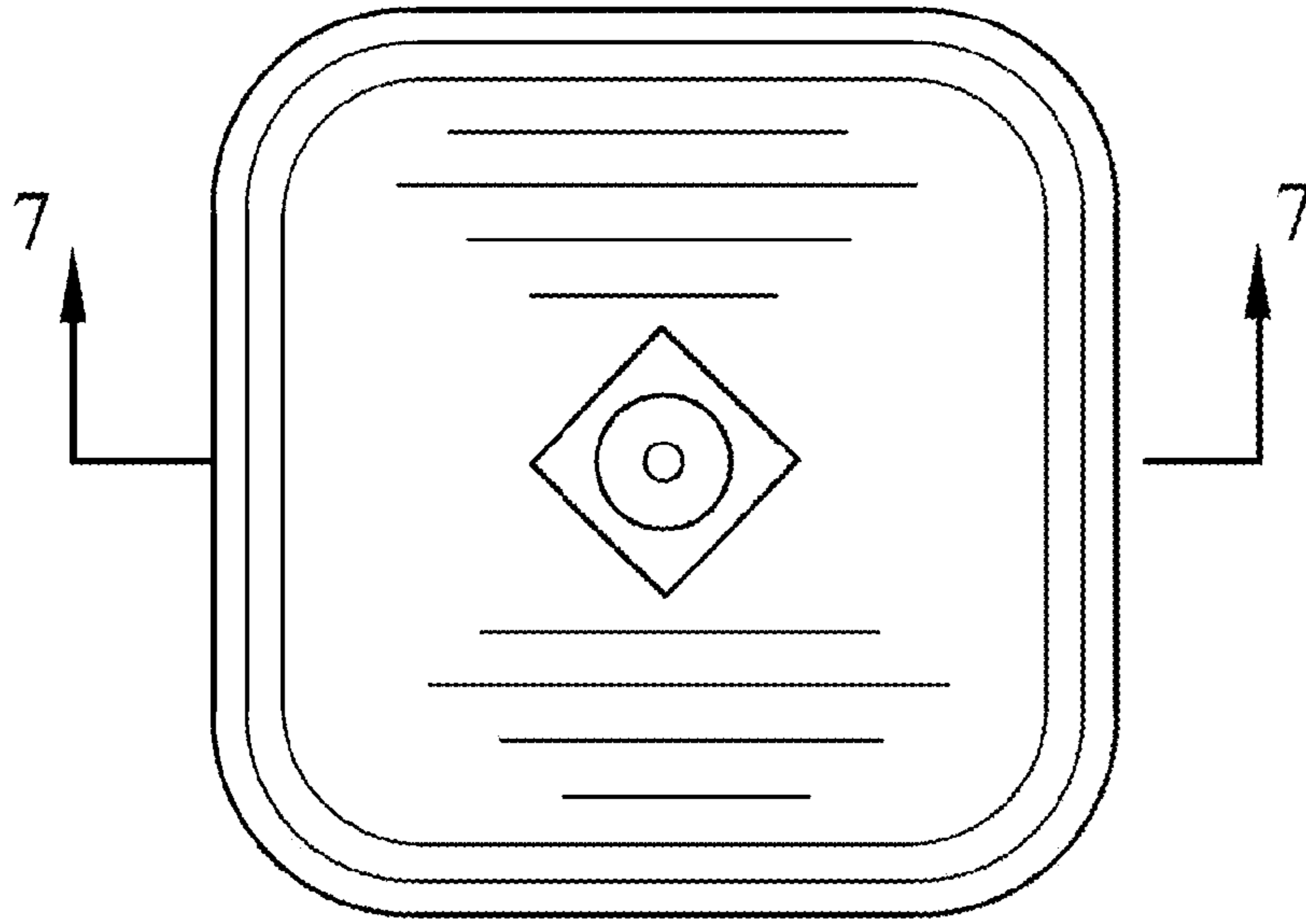


FIG. 5

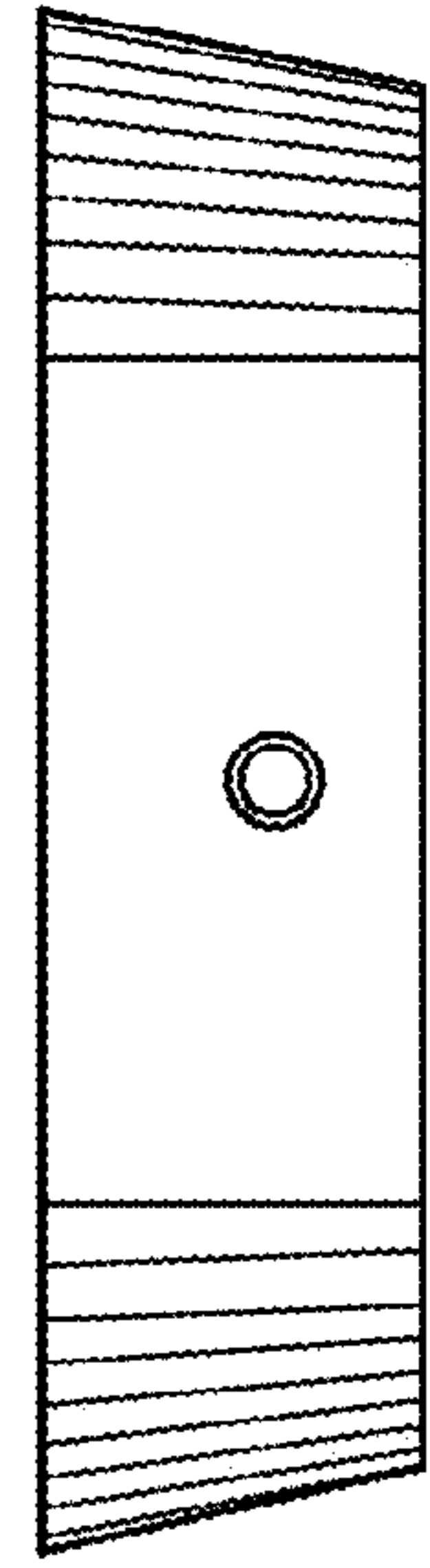


FIG. 6

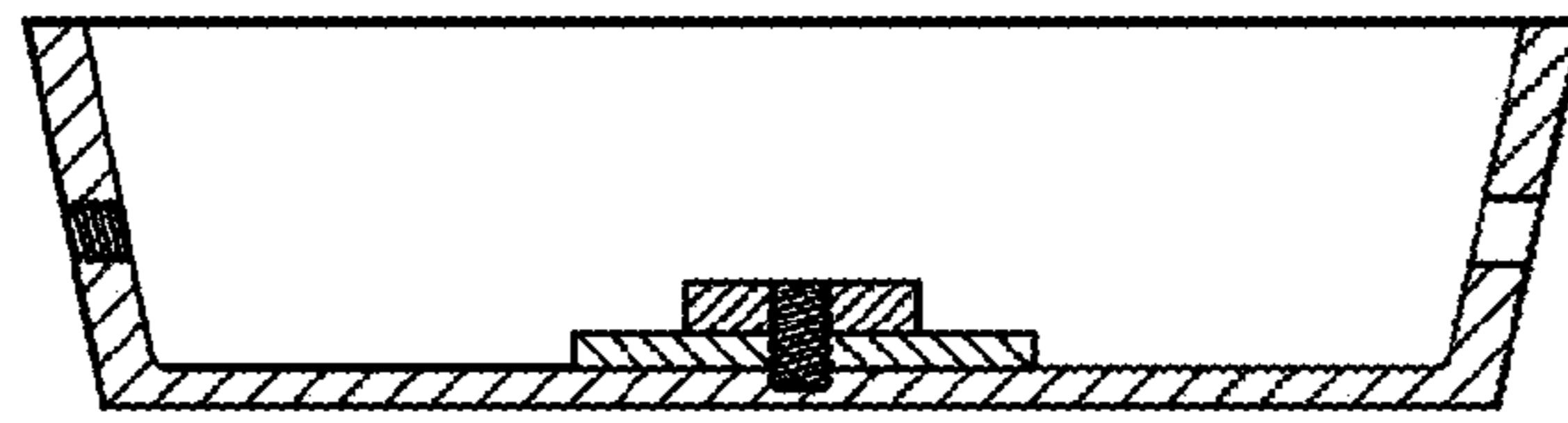


FIG. 7

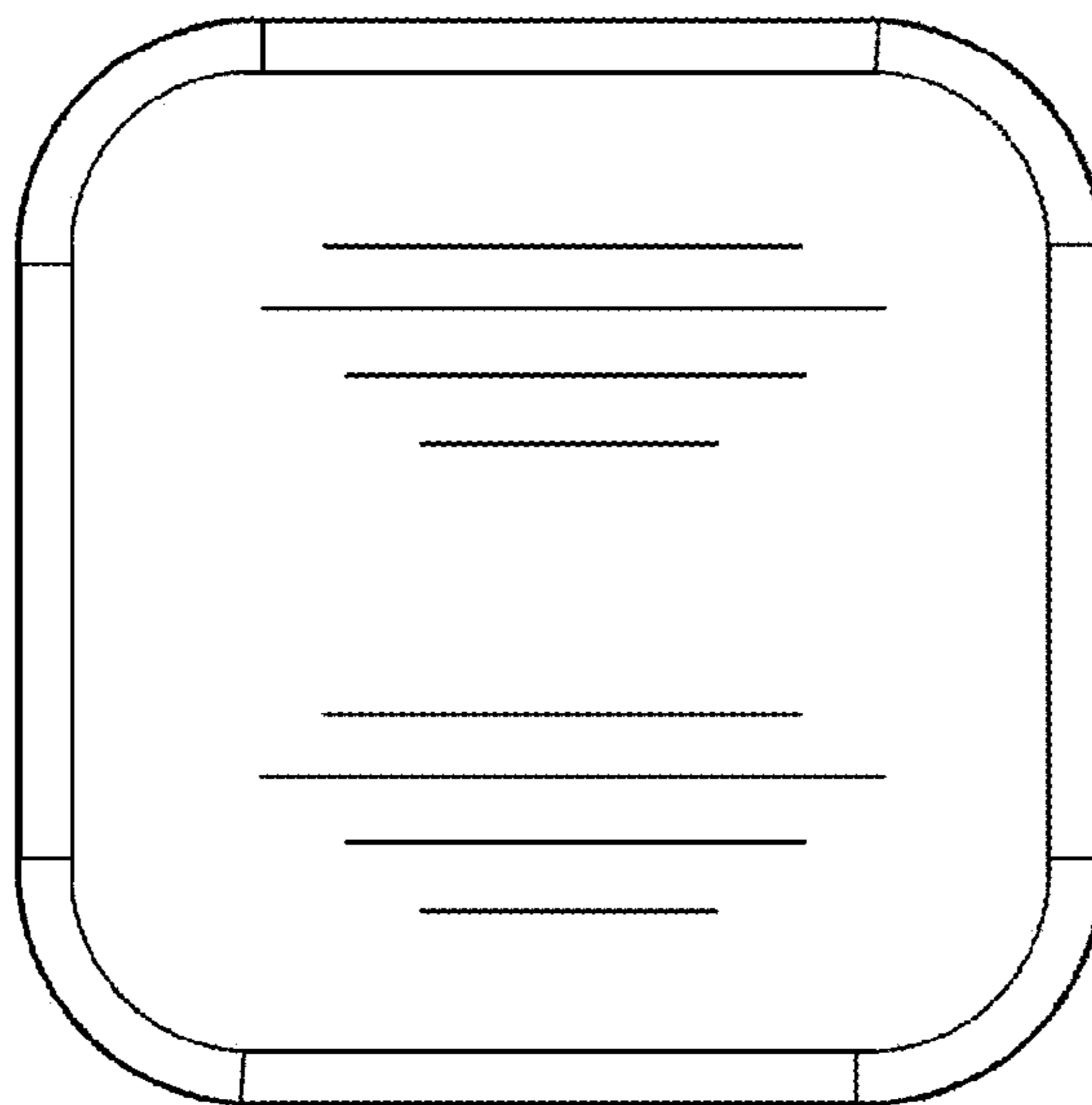


FIG. 8

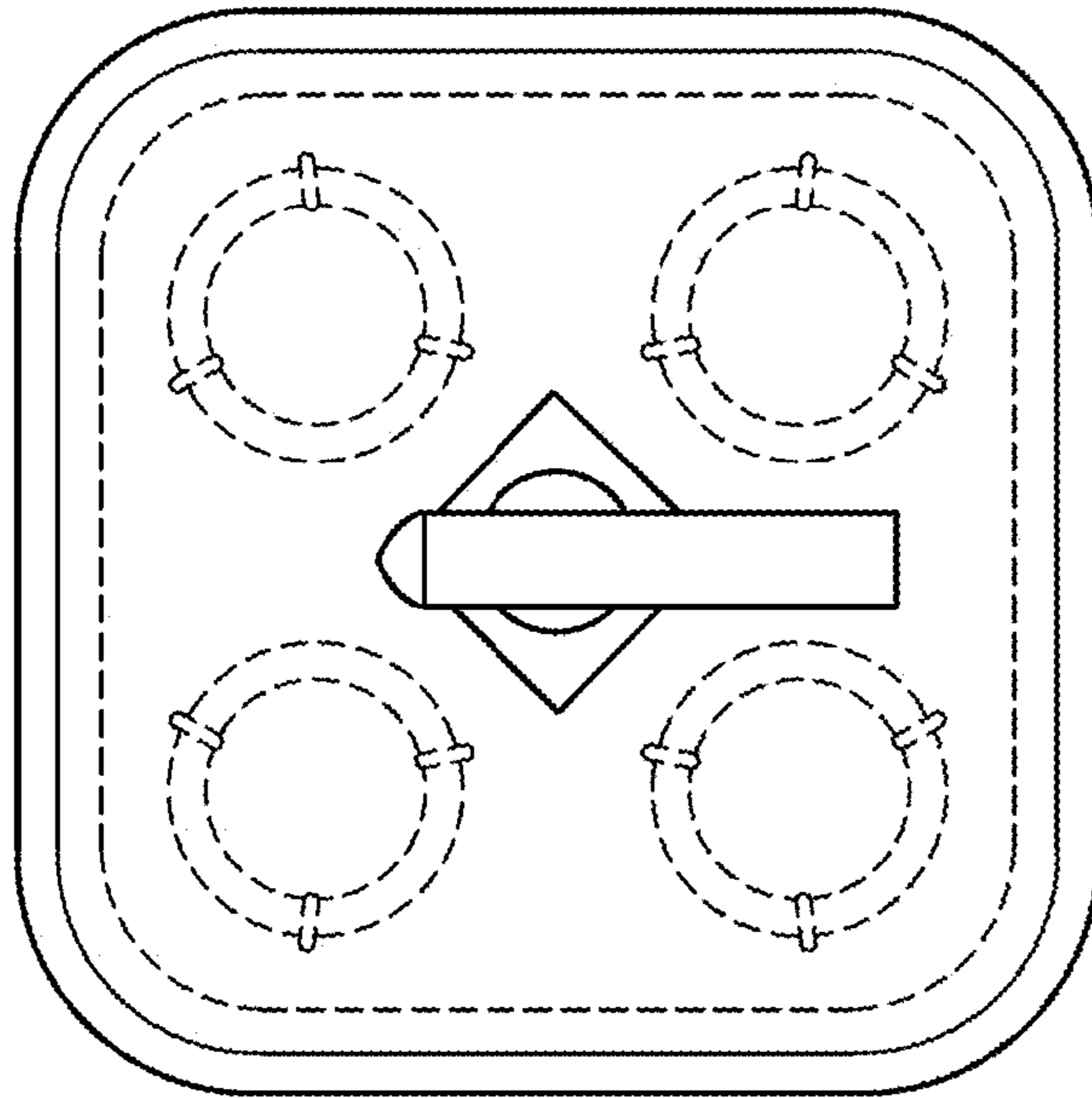


FIG. 9

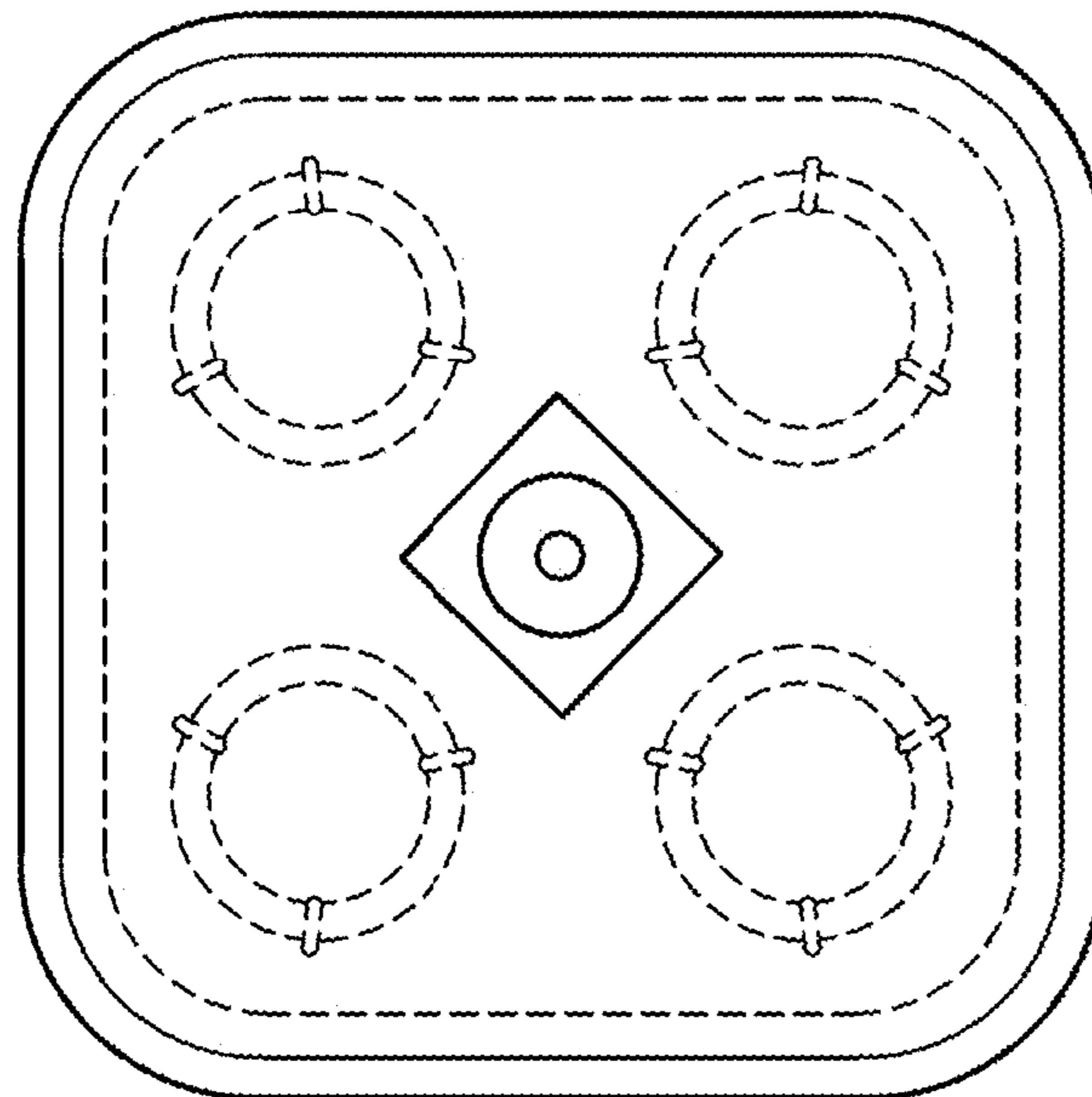


FIG. 10

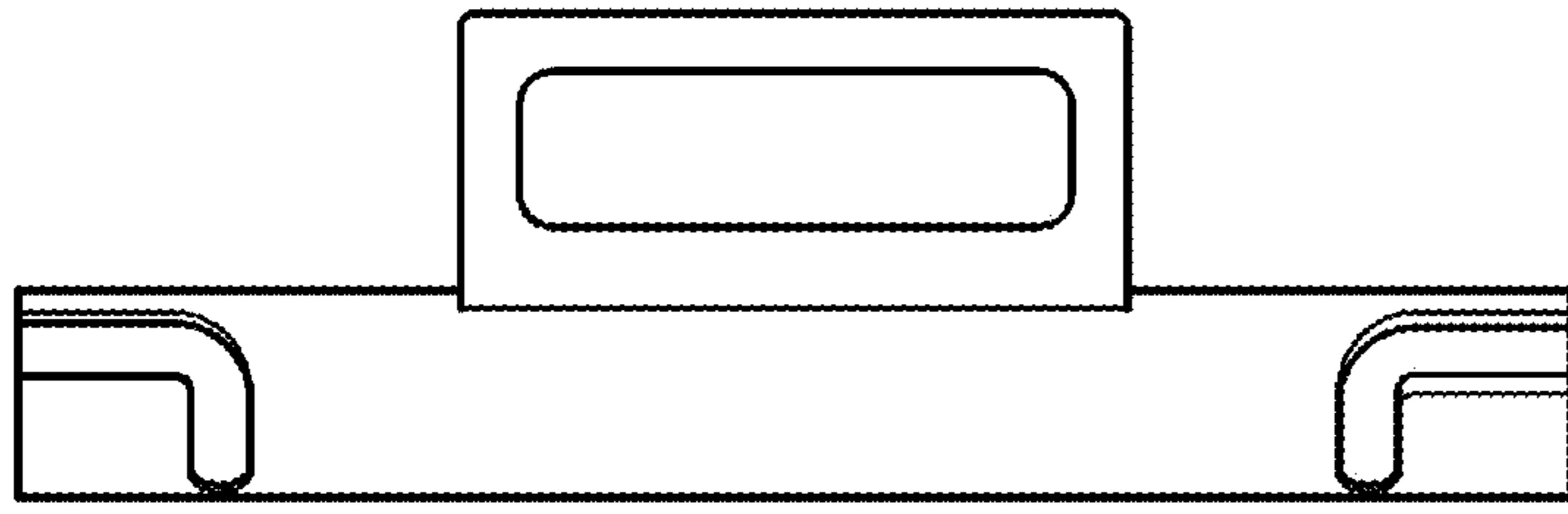


FIG. 11

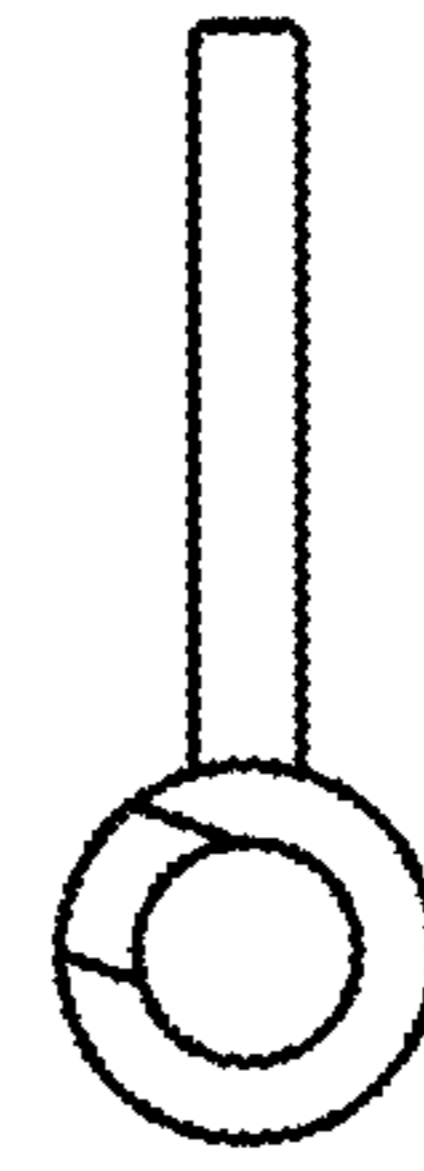


FIG. 12

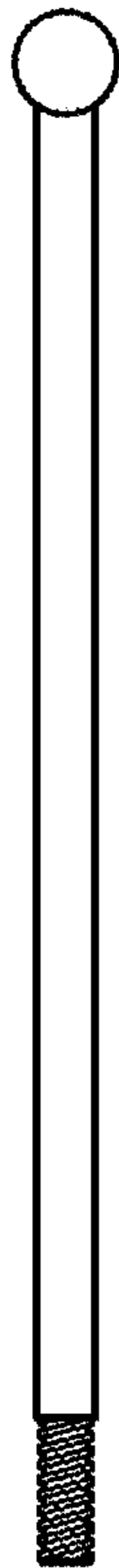


FIG. 13

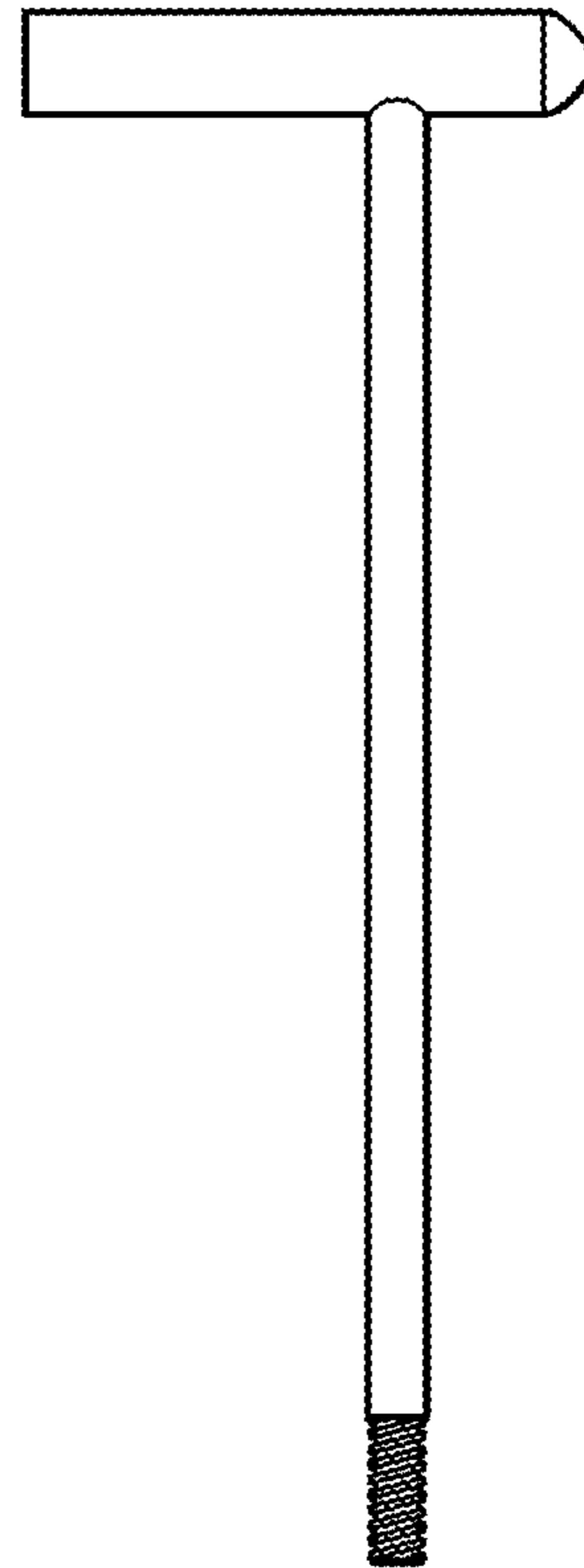


FIG. 14

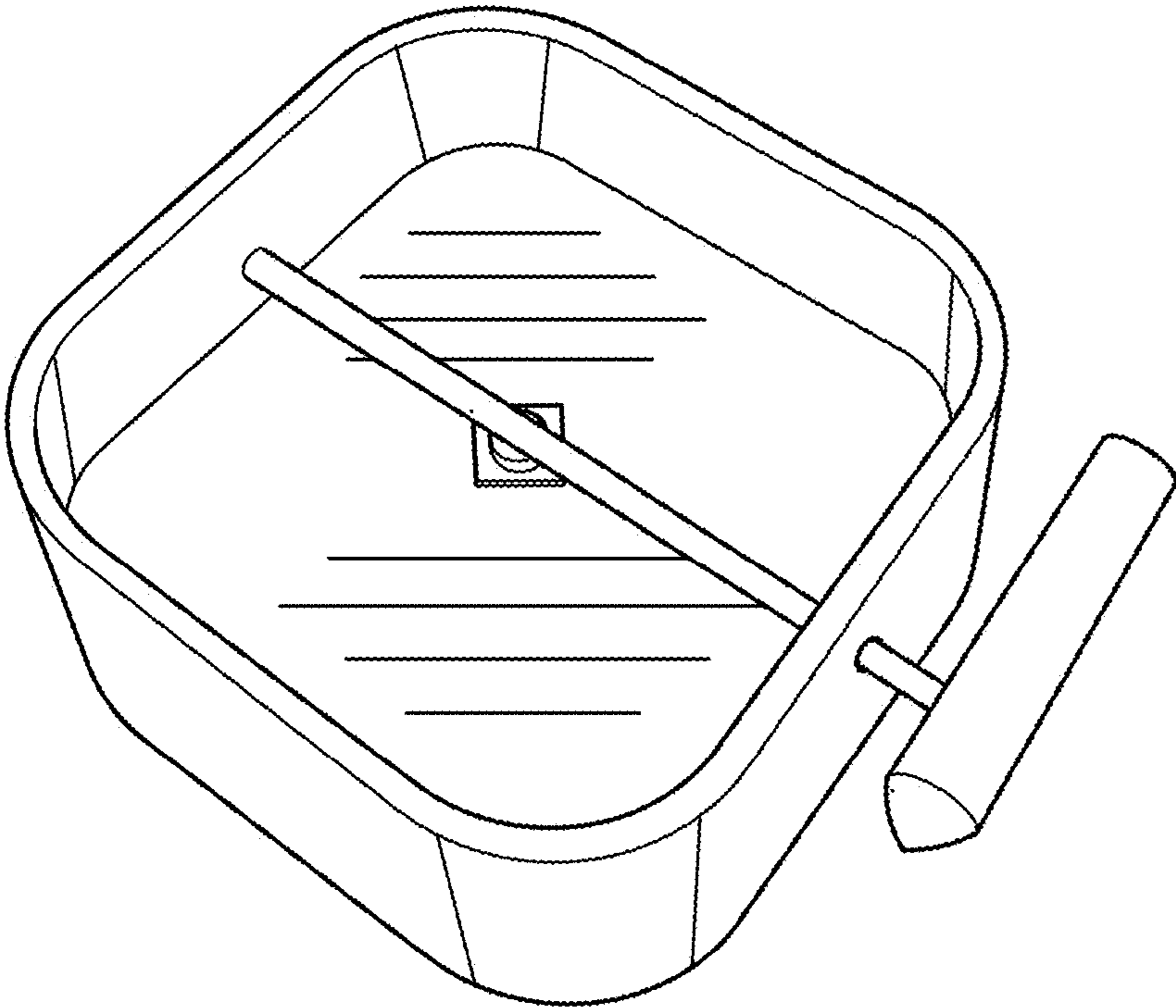


FIG. 15