



US00D910377S

(12) **United States Design Patent** (10) **Patent No.:** **US D910,377 S**
Perron (45) **Date of Patent:** **** Feb. 16, 2021**

(54) **COCONUT CUP**
(71) Applicant: **Evan Perron**, Plant City, FL (US)
(72) Inventor: **Evan Perron**, Plant City, FL (US)
(**) Term: **15 Years**
(21) Appl. No.: **29/707,741**
(22) Filed: **Sep. 30, 2019**
(51) **LOC (13) Cl.** **07-01**
(52) **U.S. Cl.**
USPC **D7/518**; D7/559; D7/521
(58) **Field of Classification Search**
USPC D7/518, 515, 521, 559, 558, 566, 537,
D7/543, 586, 565, 584; D30/129
CPC B27M 1/00; A01K 5/0128; A47G 19/30
See application file for complete search history.

D551,909 S * 10/2007 Eide D7/560
D653,910 S * 2/2012 Stamper D7/543
D670,451 S * 11/2012 Able D30/129
D699,518 S * 2/2014 Klimecki D7/588
D743,744 S * 11/2015 Sanbar D7/518
D783,362 S * 4/2017 Pellham D7/518
D815,911 S * 4/2018 Prinz D7/523
2012/0017837 A1* 1/2012 Crawford A01K 5/01
119/61.1
2018/0132665 A1* 5/2018 Brown A47G 19/10

* cited by examiner

Primary Examiner — Marianne N Pandozzi
(74) *Attorney, Agent, or Firm* — Argus Intellectual Enterprise; Jordan Sworen; Daniel Enea

(57) **CLAIM**

The ornamental design for a coconut cup, as shown and described.

DESCRIPTION

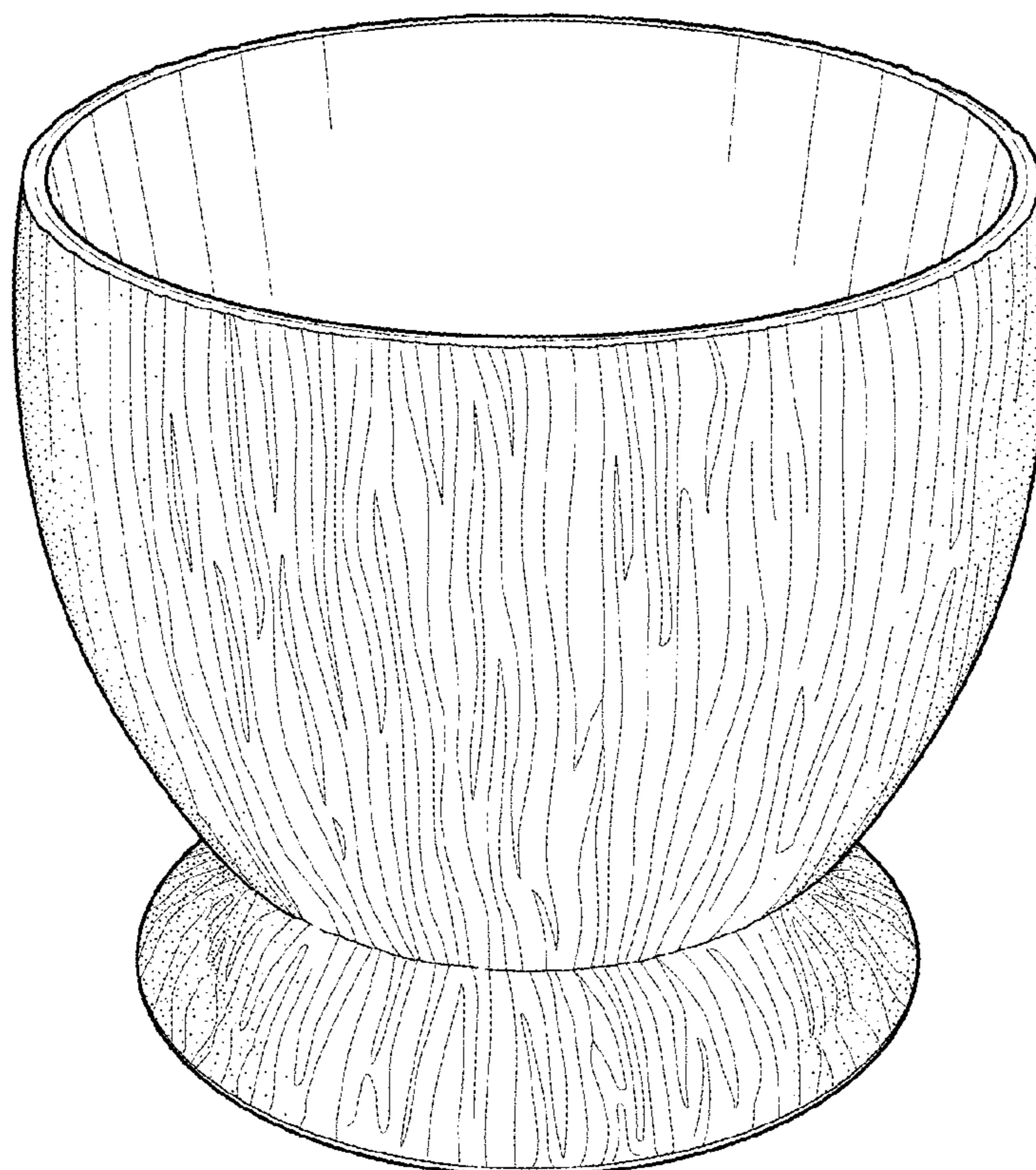
FIG. 1 is a perspective view of a coconut cup showing my new design;
FIG. 2 is a right side view thereof;
FIG. 3 is a left side view thereof;
FIG. 4 is a front view thereof;
FIG. 5 is a rear view thereof;
FIG. 6 is a top plan view thereof; and,
FIG. 7 is a bottom plan view thereof.
The broken lines shown in the Figure shows portions of the coconut cup which form no part of the claimed design.

(56) **References Cited**

U.S. PATENT DOCUMENTS

2,062,853 A * 12/1936 Wright B27M 1/00
144/364
D246,750 S * 12/1977 Harshman D7/558
5,445,110 A * 8/1995 Birnie A01K 5/0128
119/61.5
D369,276 S * 4/1996 Jessen D7/509
D419,827 S * 2/2000 Michaeli D7/511
D460,663 S * 7/2002 Seager D7/565
D504,832 S * 5/2005 Snider D10/69
D505,832 S * 6/2005 Rosow D7/507

1 Claim, 4 Drawing Sheets



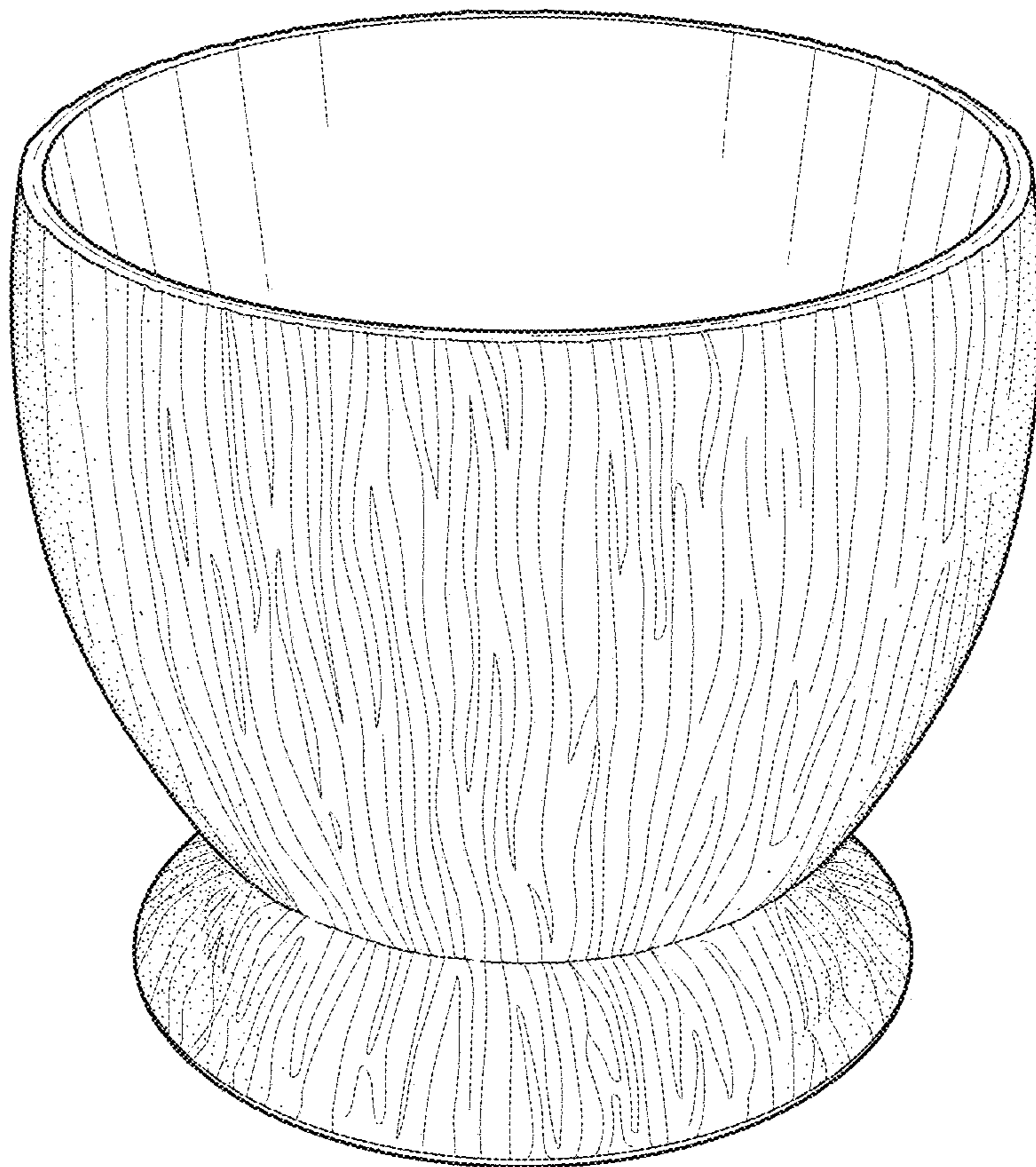


FIG. 1

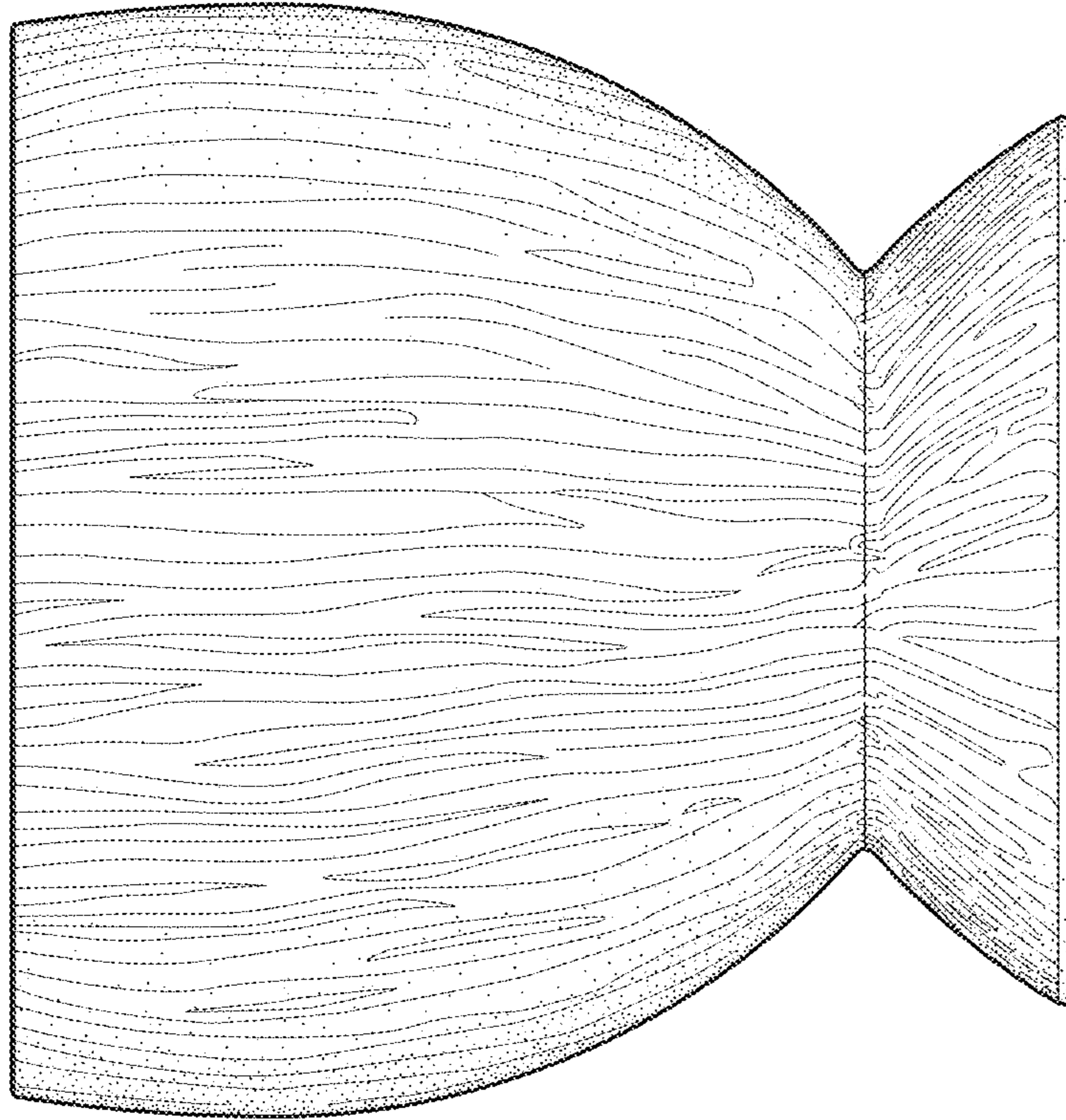


FIG. 3

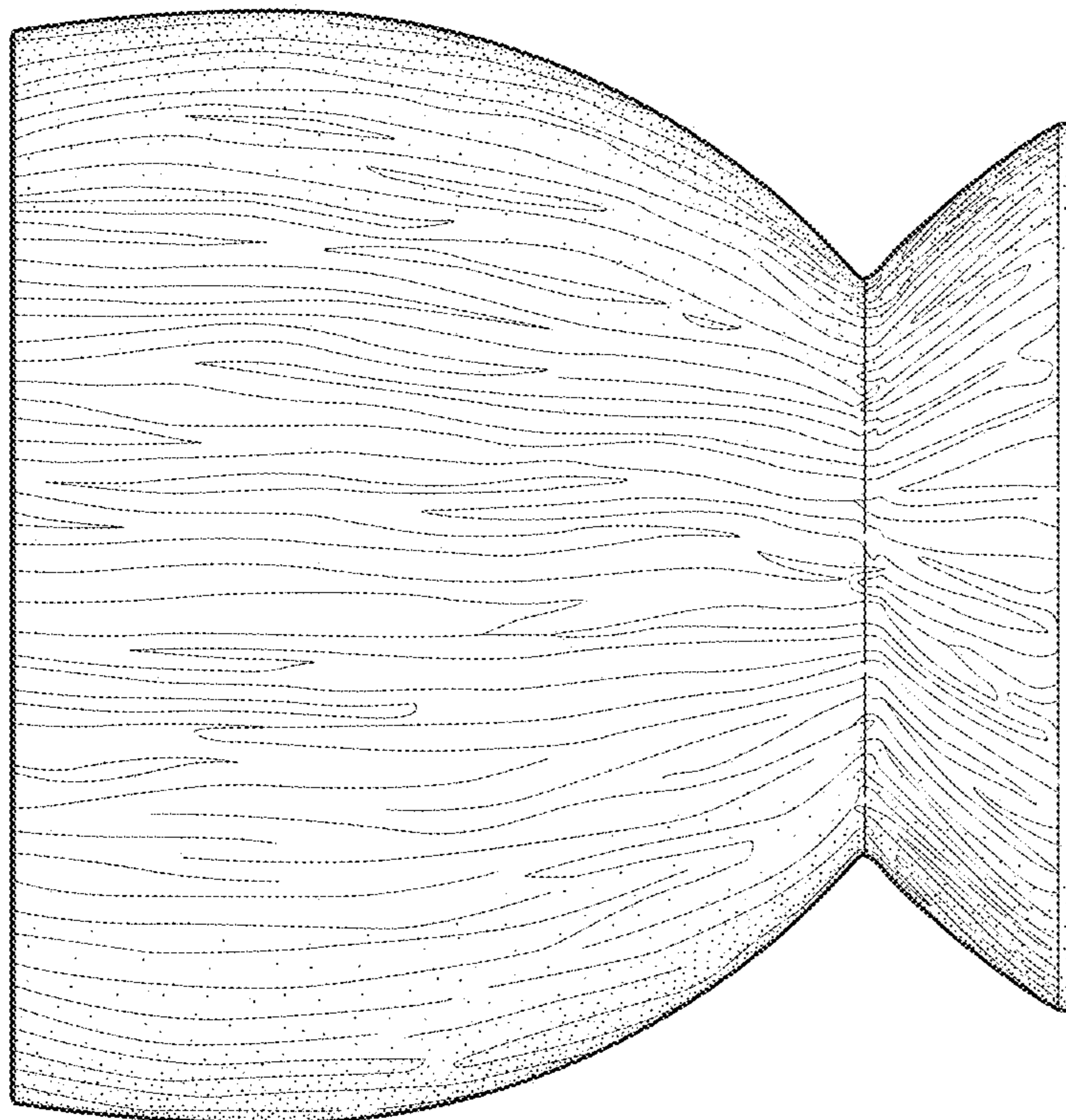


FIG. 2

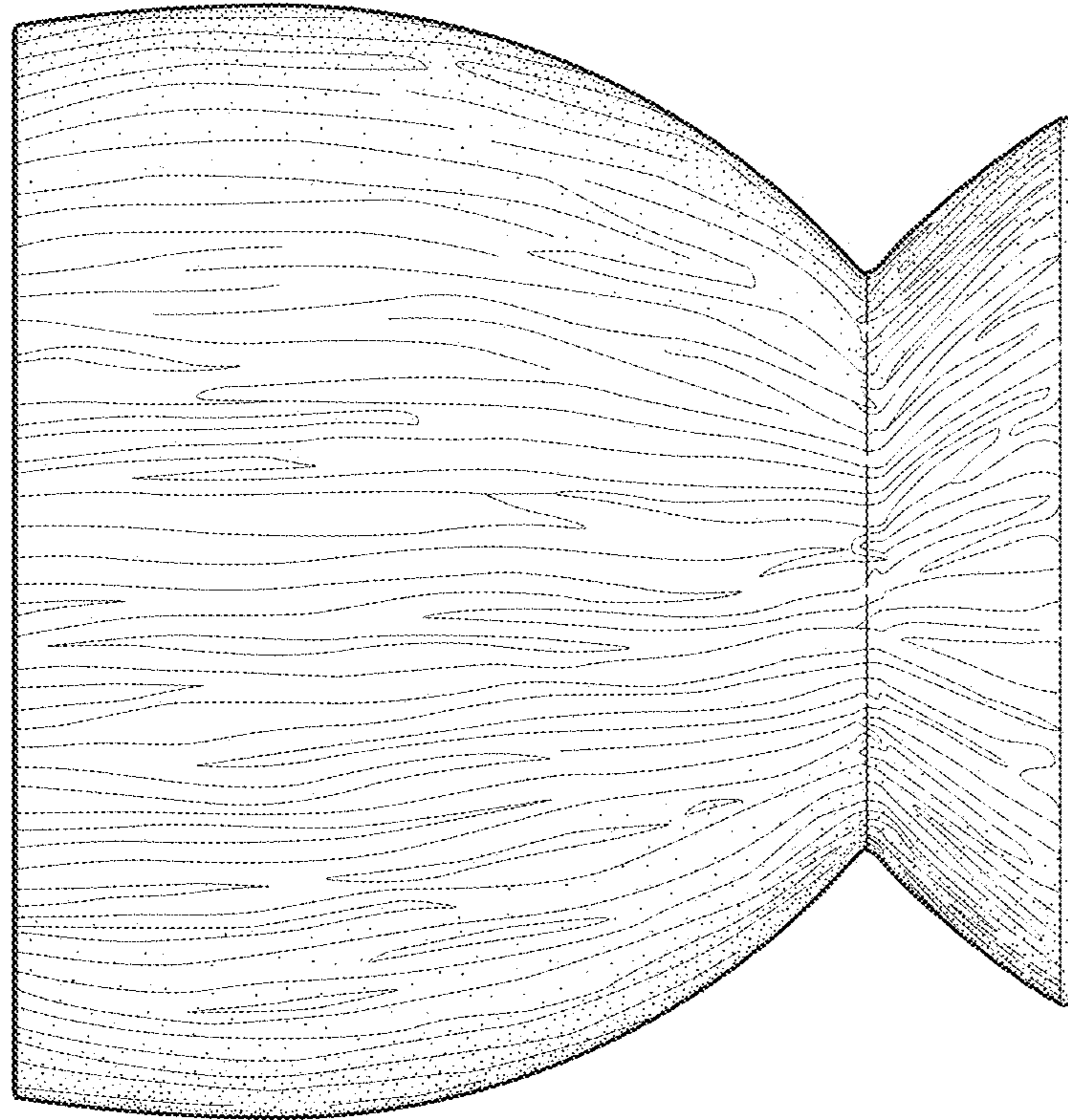


FIG. 5

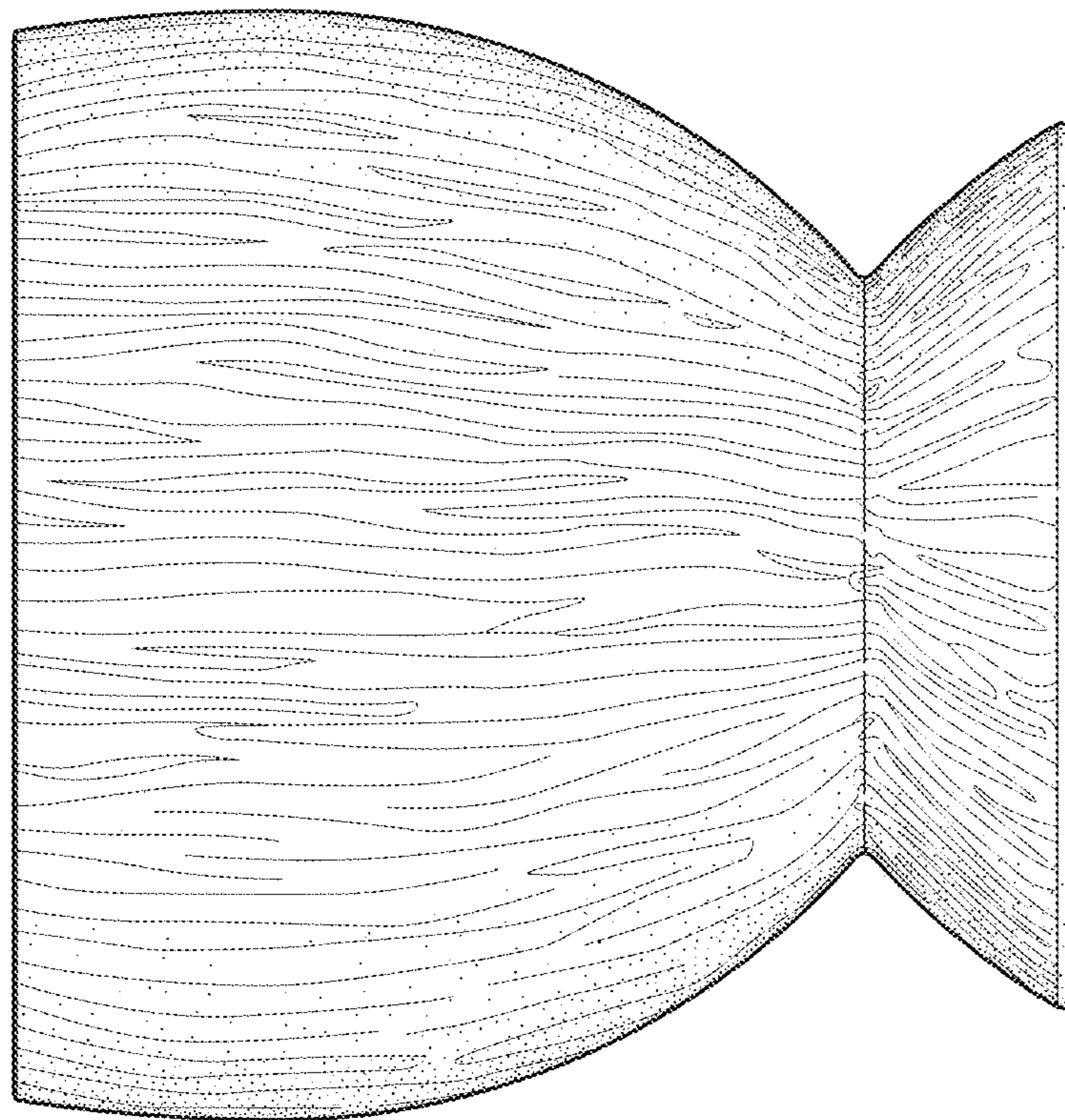


FIG. 4

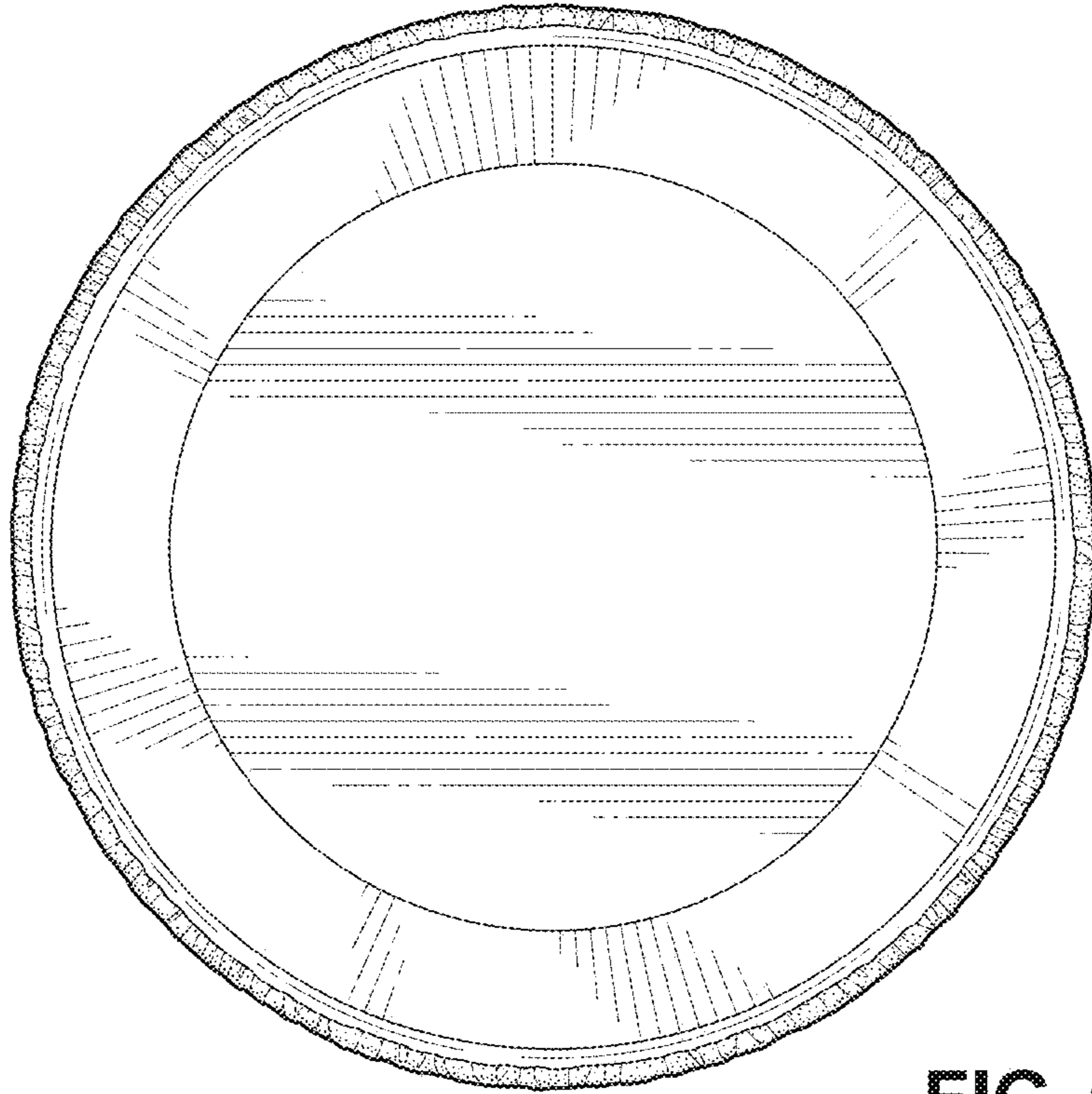


FIG. 6

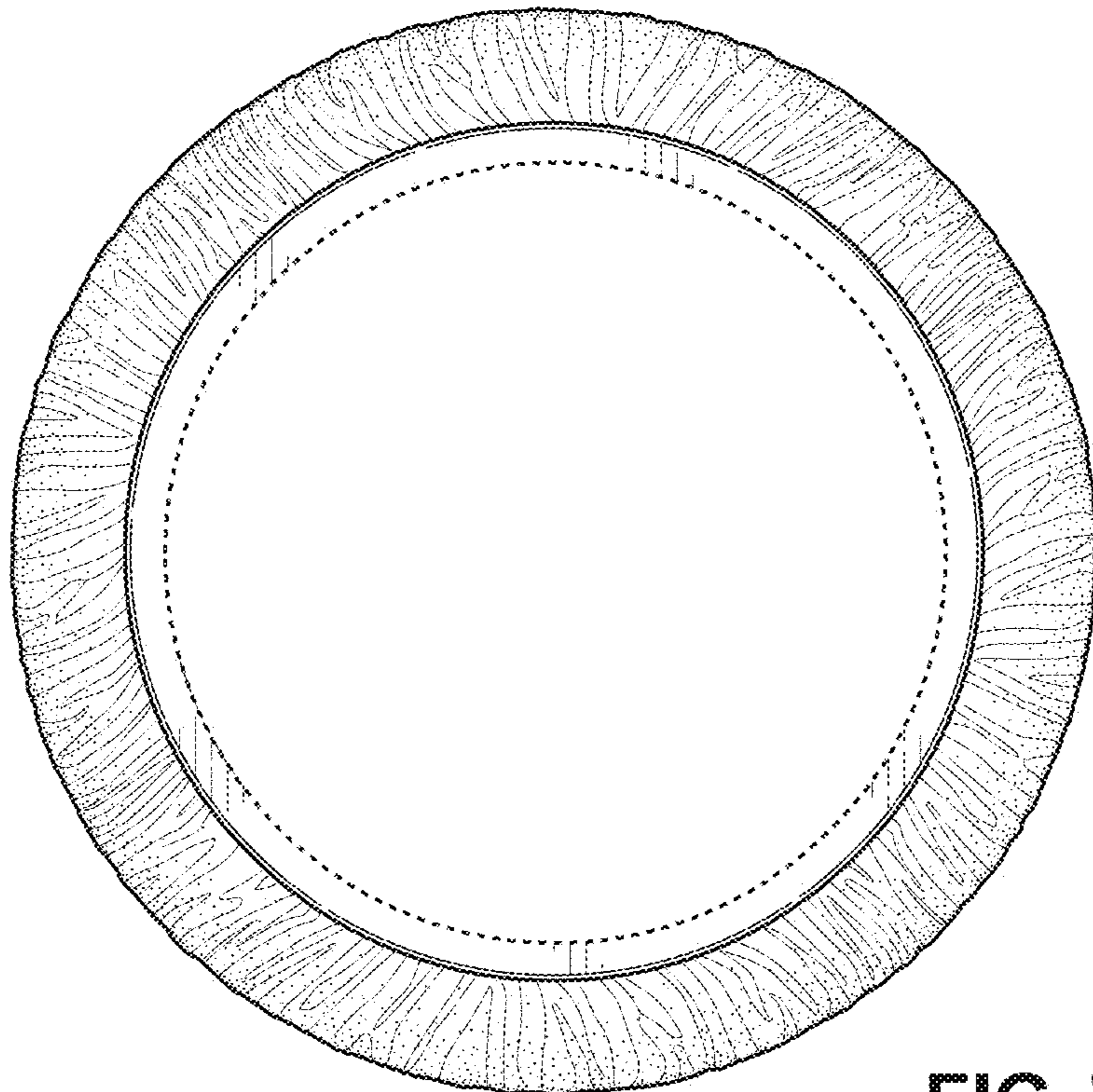


FIG. 7