



US00D910375S

(12) **United States Design Patent**
Marshall

(10) **Patent No.: US D910,375 S**

(45) **Date of Patent: ** Feb. 16, 2021**

(54) **PLATE SET**

(71) Applicant: **Ronald Marshall**, Patton, PA (US)

(72) Inventor: **Ronald Marshall**, Patton, PA (US)

(**) Term: **15 Years**

(21) Appl. No.: **29/677,555**

(22) Filed: **Jan. 22, 2019**

(51) **LOC (13) Cl. 07-01**

(52) **U.S. Cl.**

USPC **D7/505**; D7/549; D7/553.6

(58) **Field of Classification Search**

USPC D7/549, 543, 500, 505, 550.1, 553.8,
D7/554.2, 553.6, 553.1

CPC A47G 19/06; A47G 19/02; A47B 13/10

See application file for complete search history.

(56) **References Cited**

U.S. PATENT DOCUMENTS

D130,080 S *	10/1941	Wynkoop	D7/553.6
D133,036 S *	7/1942	Harwell	D7/553.8
2,352,684 A	7/1944	Braddock	
D139,954 S *	1/1945	Krass	D7/505
2,640,595 A *	6/1953	Byford	B60N 3/107 211/74
D182,973 S *	6/1958	Reinecke	D7/505
D197,618 S *	3/1964	Milbourne	D7/553.6
D235,301 S *	6/1975	Mountain et al.	D7/505
D244,902 S *	7/1977	Vonder Haar	D7/505
D264,924 S *	6/1982	Swett	D7/505
D304,658 S *	11/1989	Mattei	D7/505
4,989,742 A *	2/1991	Powell	A47G 19/06 206/549
5,135,195 A *	8/1992	Dane	B60N 3/103 248/310
D356,010 S	3/1995	McEntee	
5,465,891 A *	11/1995	Bridges	A47G 19/06 220/636
D368,627 S *	4/1996	McSpadden	D7/549

5,598,944 A	2/1997	Aragona	
D402,851 S *	12/1998	Stauffer	D7/505
D411,940 S *	7/1999	Horvat	D7/505
6,964,443 B1 *	11/2005	Newton	A47G 23/0208 206/217
D523,185 S *	6/2006	Oliphant	A01K 5/0142 D30/129
D608,152 S *	1/2010	DePalo	D7/553.6
D611,306 S *	3/2010	Zack	D7/551.1
D621,663 S *	8/2010	Cantwell	D7/553.6
D623,019 S	9/2010	Wildman	
D623,806 S *	9/2010	Modi	D30/129
D631,696 S *	2/2011	Lipfert	D7/505
D645,308 S *	9/2011	Palmby	D7/624.1
D650,237 S *	12/2011	McComas	D7/553.8
D655,136 S *	3/2012	Goodman	D7/553.6
D699,514 S	2/2014	Lovely, II	
D730,124 S *	5/2015	Tollen	D7/552.1
9,132,932 B2 *	9/2015	Scharfe	A47G 19/00
9,173,512 B1	11/2015	Evans	
D770,857 S *	11/2016	Davidson, IV	D7/553.6

(Continued)

Primary Examiner — Cynthia R Underwood

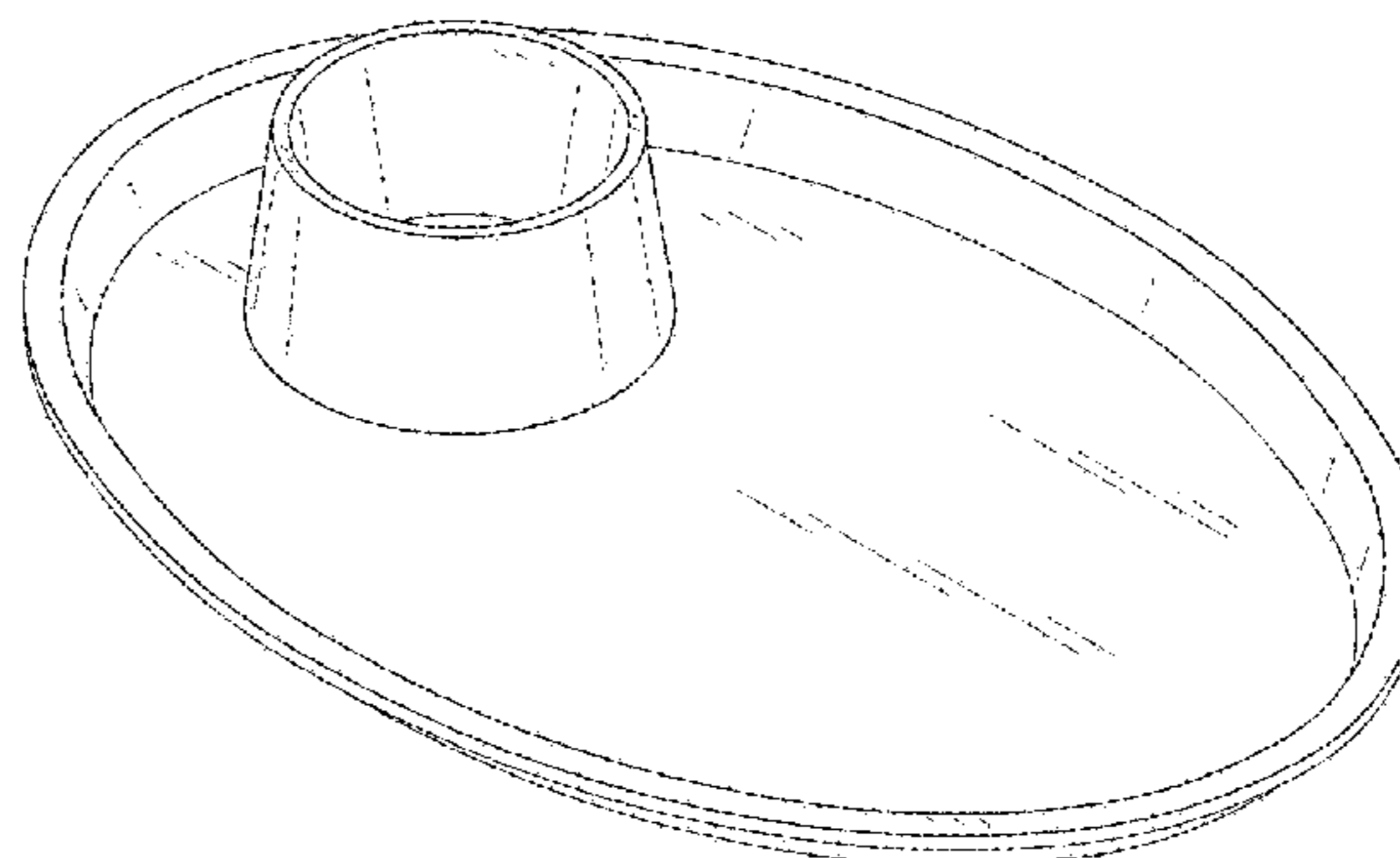
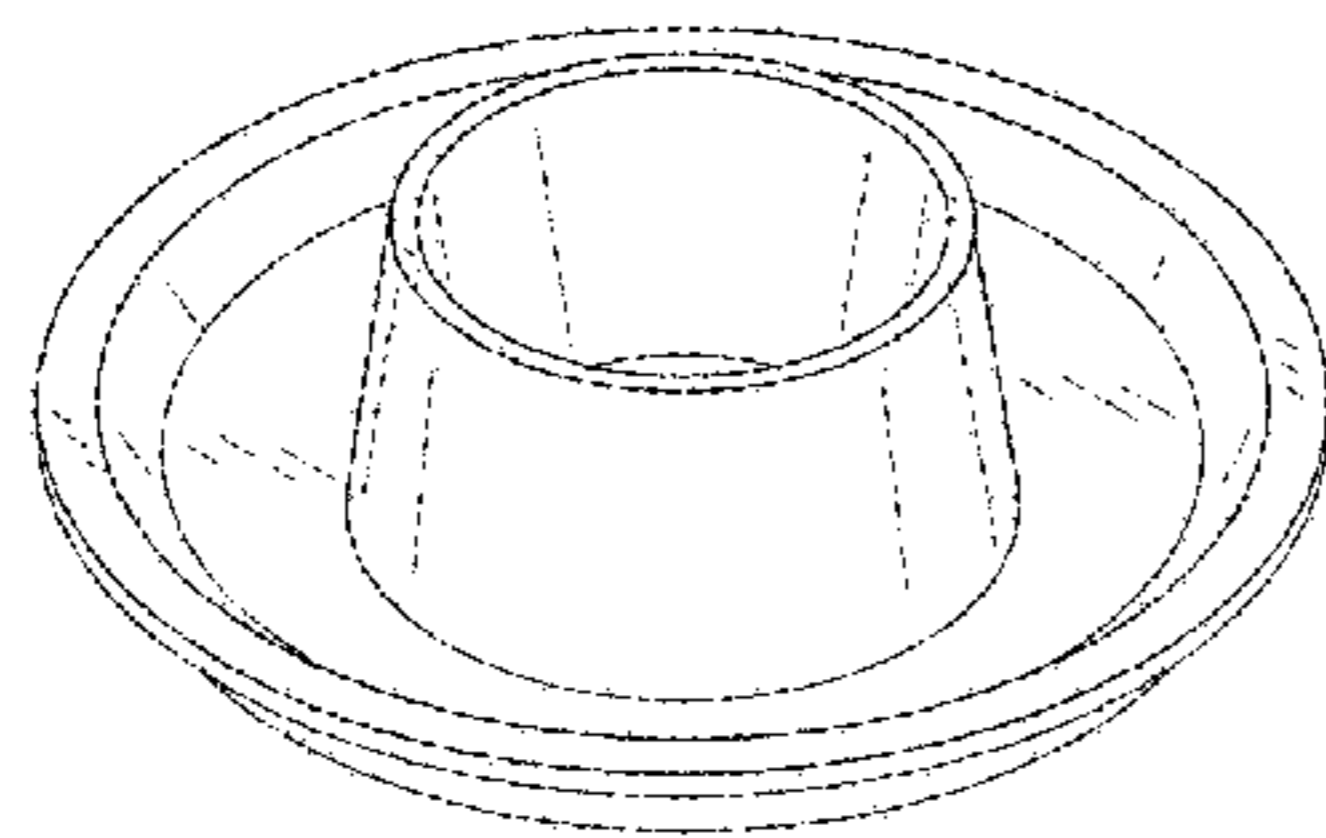
(57) **CLAIM**

The ornamental design for a plate set, as shown and described.

DESCRIPTION

FIG. 1 is a front view of a plate set showing my new design;
 FIG. 2 is a rear view of the plate set;
 FIG. 3 is a left side view of the plate set, a right side view being identical;
 FIG. 4 is a top view of the plate set, a bottom view being a mirror image thereof;
 FIG. 5 is a bottom front side perspective view of the plate set; and,
 FIG. 6 is a top rear side perspective view of the plate set.

1 Claim, 6 Drawing Sheets



(56)

References Cited

U.S. PATENT DOCUMENTS

D781,659	S *	3/2017	Kellow, Jr.	D7/557
D819,408	S *	6/2018	Floco	D7/553.6
D834,894	S *	12/2018	Allen	D7/554.2
D842,044	S *	3/2019	Floco	D7/553.8
D849,485	S *	5/2019	Allen	D7/554.2
D858,204	S *	9/2019	Hu	D7/553.6
D862,987	S *	10/2019	Bergin	D7/553.4
10,441,071	B2 *	10/2019	Floco	A47B 13/10
D866,265	S *	11/2019	Bishop	B65D 85/72
					D7/557
D869,781	S *	12/2019	Han	D30/130
D878,154	S *	3/2020	Kim	D7/505
D891,187	S *	7/2020	DeYang	D7/552.1
D894,688	S *	9/2020	Floco	D7/553.2
2003/0098310	A1 *	5/2003	McGee	A47G 19/02
					220/574.3
2004/0262482	A1 *	12/2004	Lim	A47G 19/06
					248/311.2
2009/0120832	A1 *	5/2009	Munden	A47G 23/0625
					206/561
2015/0008231	A1 *	1/2015	Kellow, Jr.	A47G 19/065
					220/575

* cited by examiner

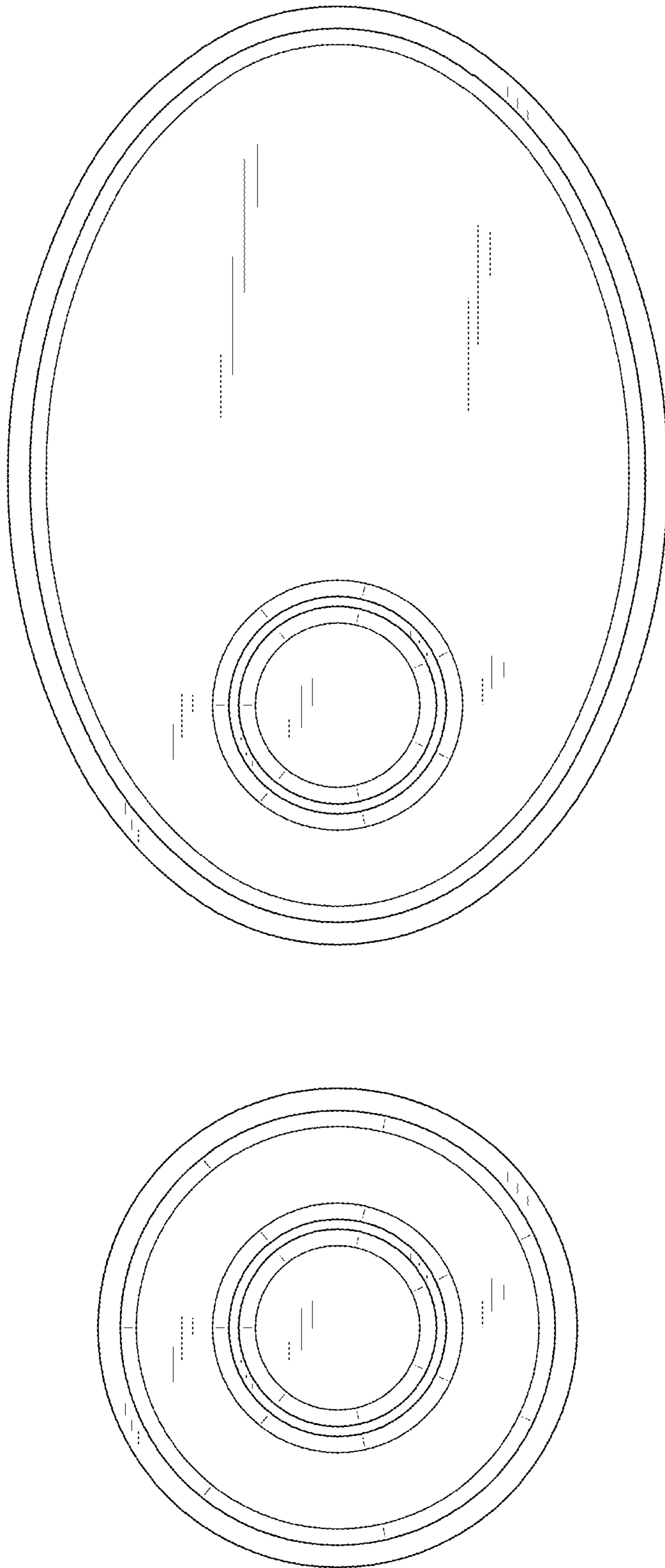


FIG. 1

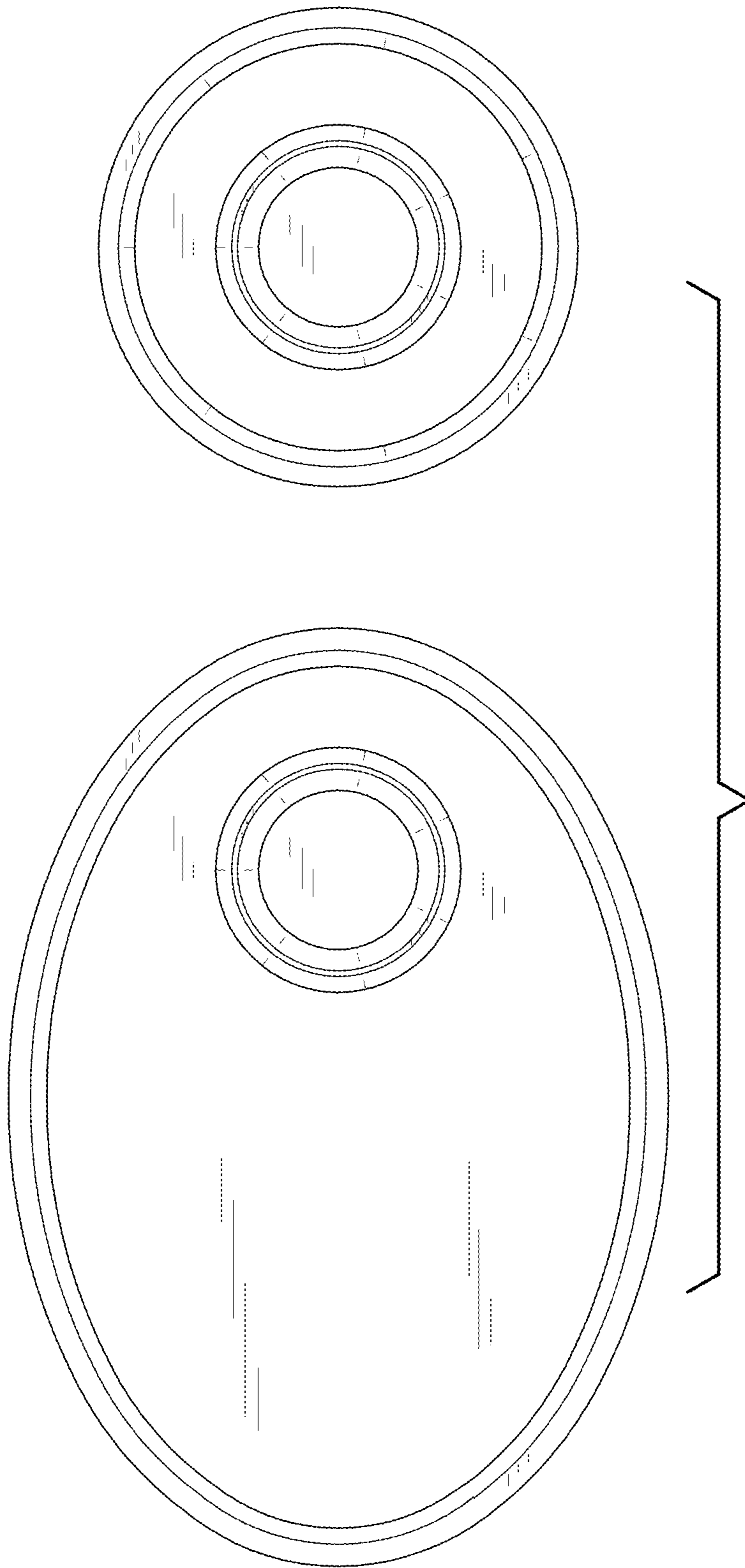


FIG. 2

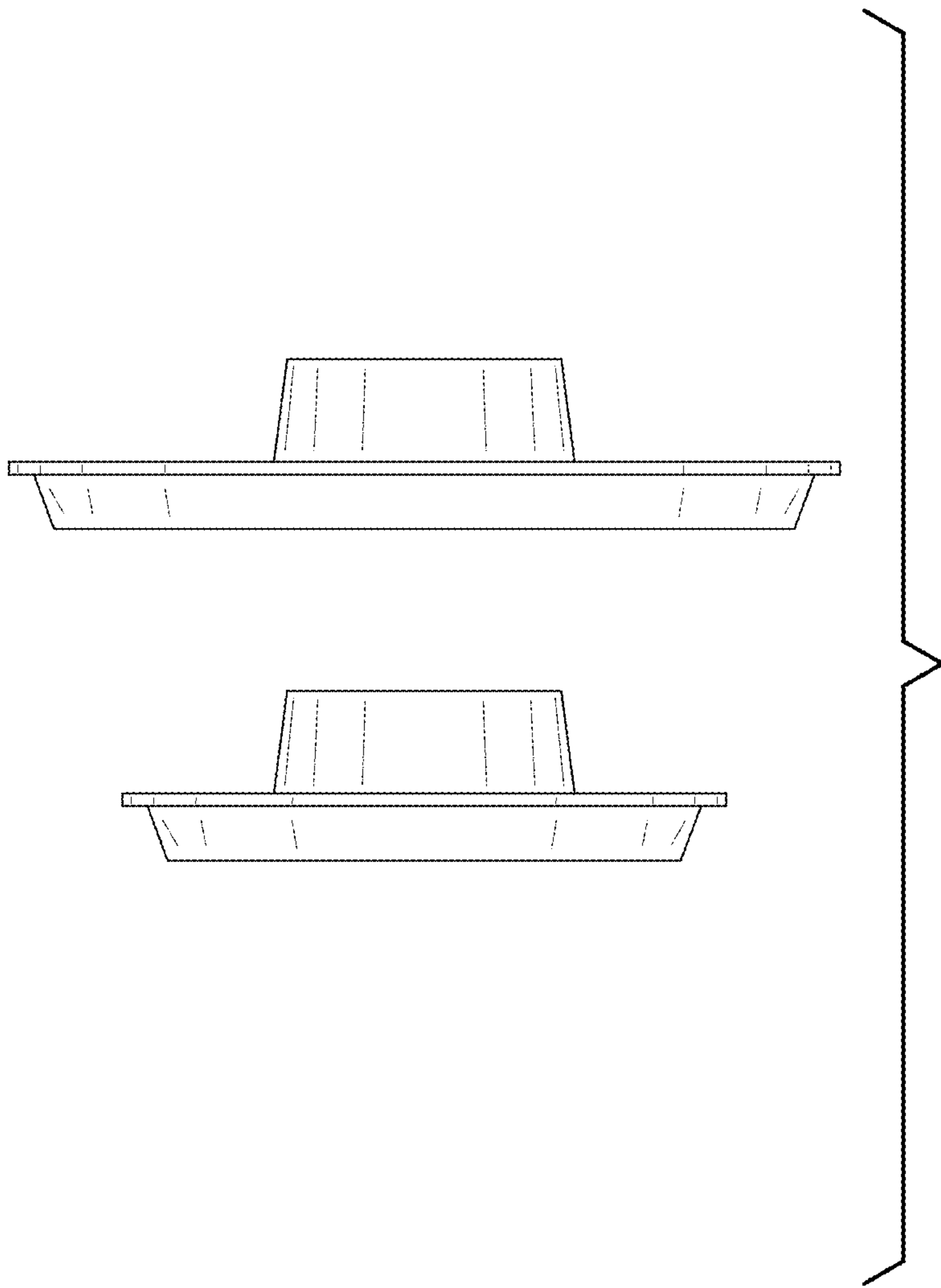


FIG. 3

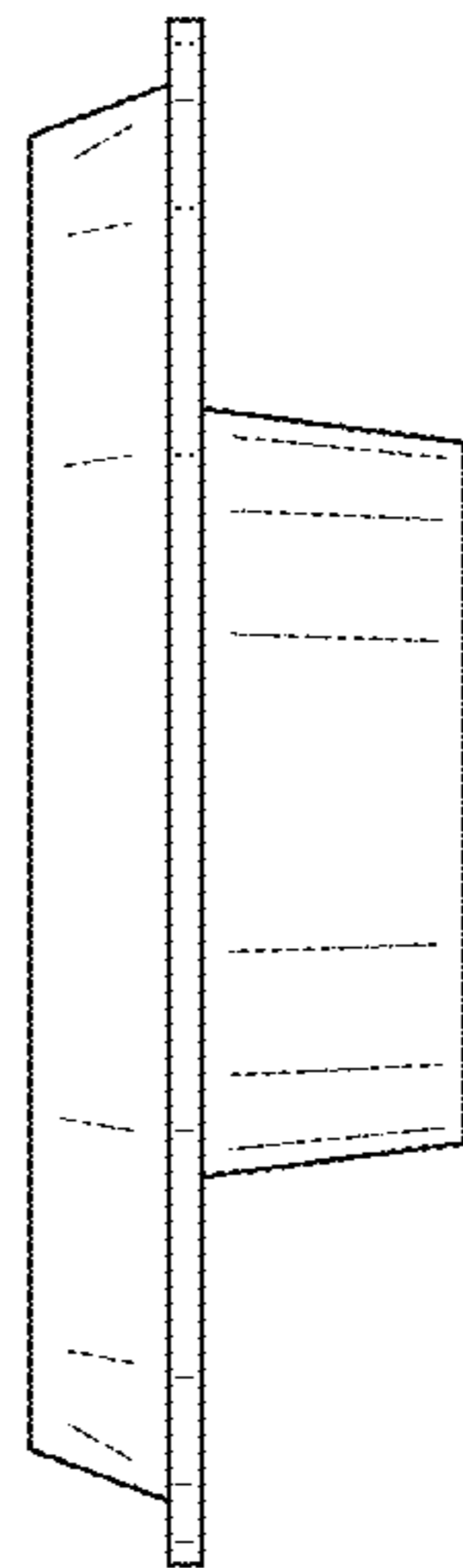
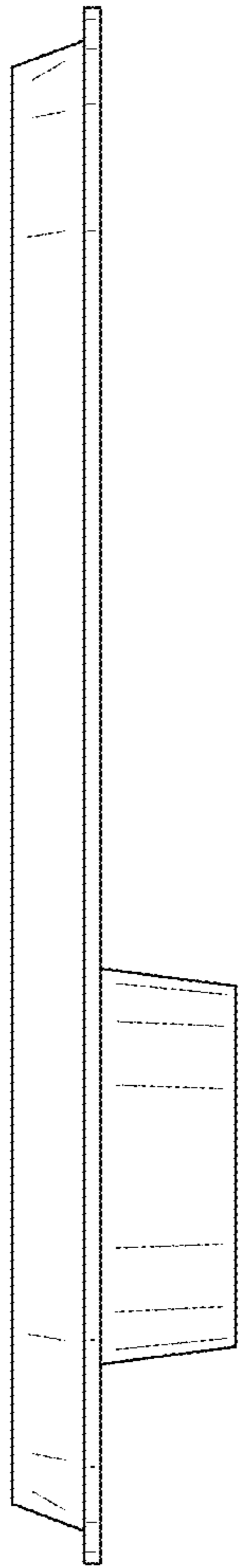


FIG. 4

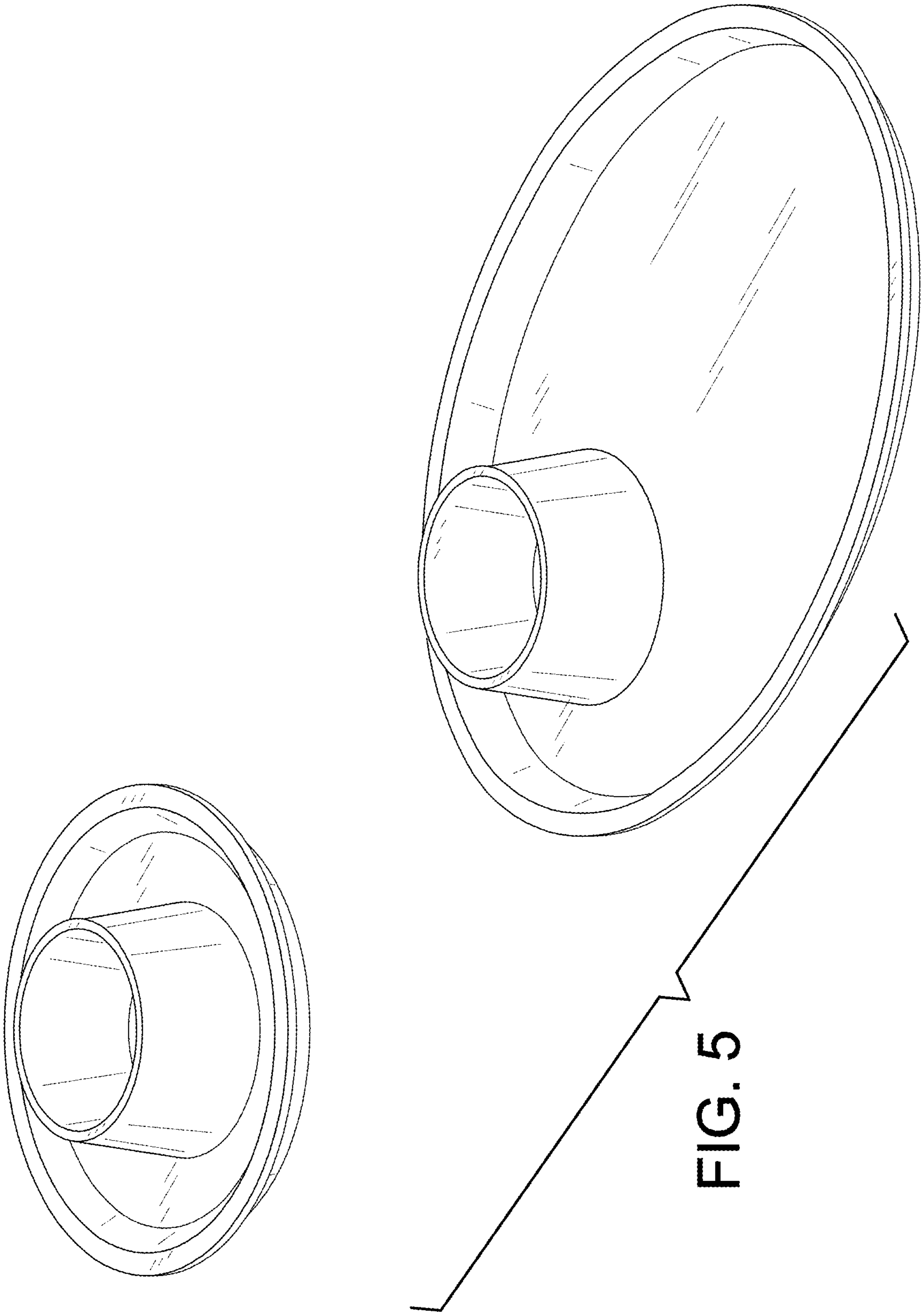


FIG. 5

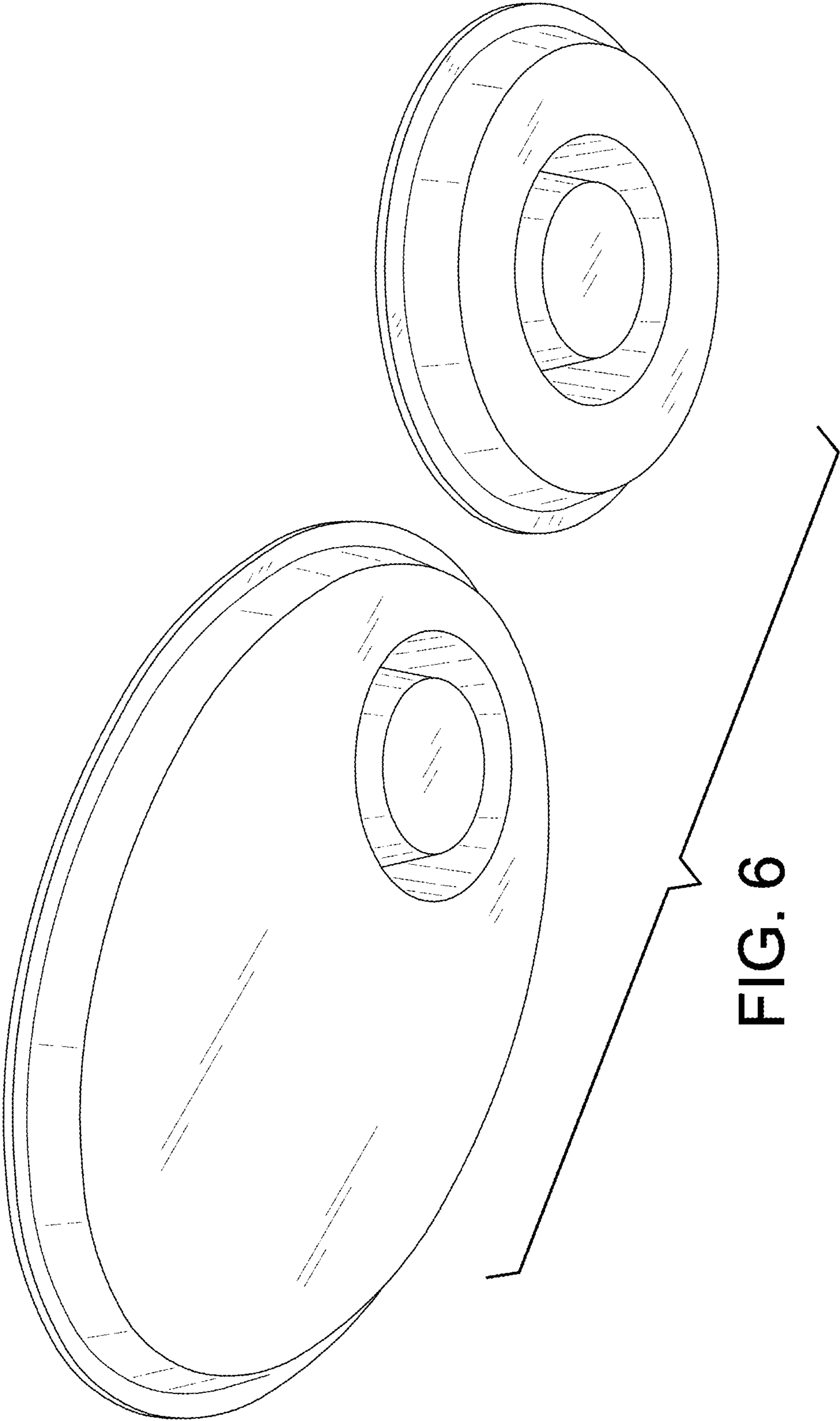


FIG. 6