



US00D910374S

(12) **United States Design Patent**
Bin et al.

(10) **Patent No.:** **US D910,374 S**

(45) **Date of Patent:** **** Feb. 16, 2021**

(54) **PASTA AND RAVIOLI MAKER SET**

(71) Applicant: **Guangdong XIAOSHU DIAN Technology Co., Ltd**, Foshan (CN)

(72) Inventors: **Miao Bin**, Guangzhou (CN); **Su Kaizan**, Guangzhou (CN)

(**) Term: **15 Years**

(21) Appl. No.: **29/753,177**

(22) Filed: **Sep. 30, 2020**

(51) **LOC (13) Cl.** **31-00**

(52) **U.S. Cl.**
USPC **D7/412; D7/368; D7/376**

(58) **Field of Classification Search**
USPC D7/368, 376, 412
CPC A21C 1/06; A21C 1/144; A21C 11/16;
A21C 11/22; A21C 11/20; A21C 11/24
See application file for complete search history.

(56) **References Cited**

U.S. PATENT DOCUMENTS

1,994,854 A *	3/1935	Dieterle	A21C 11/22 425/310
5,770,239 A *	6/1998	Ancona	A21C 11/22 366/309
D551,493 S	9/2007	Marcato		
8,353,621 B2 *	1/2013	Thomas	A21C 1/06 366/149

D688,104 S	8/2013	Muspratt-Williams		
8,621,989 B2 *	1/2014	van der Ent	A23P 30/20 99/485
D790,917 S *	7/2017	Benoit	D7/412
D805,348 S *	12/2017	Benoit	D7/412
D841,390 S	2/2019	Ancona et al.		
D893,241 S	8/2020	Hua		
2019/0134835 A1 *	5/2019	Fung	A47J 43/0711

* cited by examiner

Primary Examiner — Terry A Wallace

(74) *Attorney, Agent, or Firm* — Rumit R. Kanakia

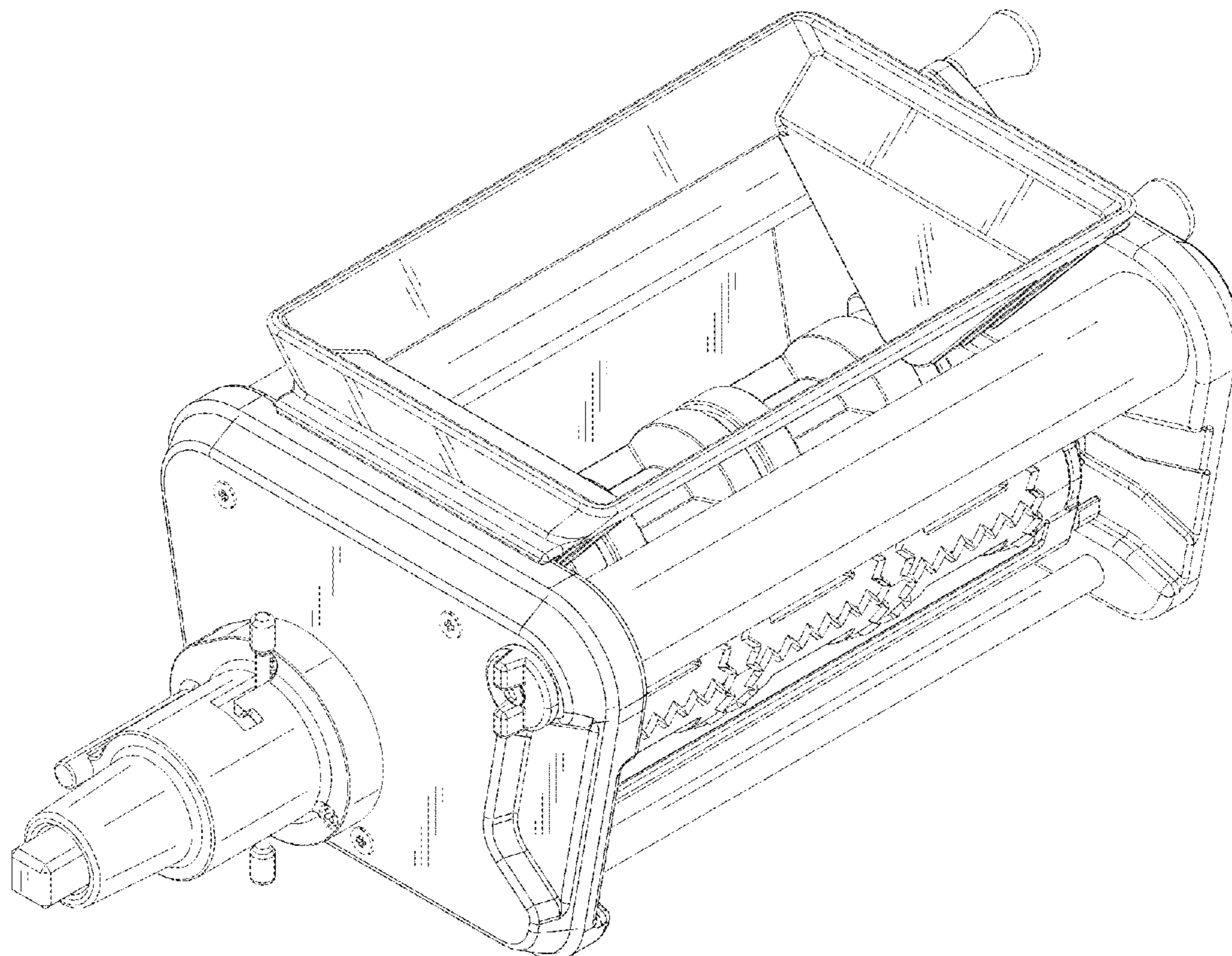
(57) **CLAIM**

We claim the ornamental design for a pasta and ravioli maker set, as shown and described.

DESCRIPTION

FIG. 1 is a Perspective view of a pasta and ravioli maker set showing my new design;
 FIG. 2 is a Front view thereof;
 FIG. 3 is a Back view thereof;
 FIG. 4 is a Right-side view thereof;
 FIG. 5 is a Left-side view thereof;
 FIG. 6 is a Top view thereof; and,
 FIG. 7 is a Bottom view thereof.
 The broken lines are for the purpose of illustrating portions of the article that form no part of the claim.

1 Claim, 7 Drawing Sheets



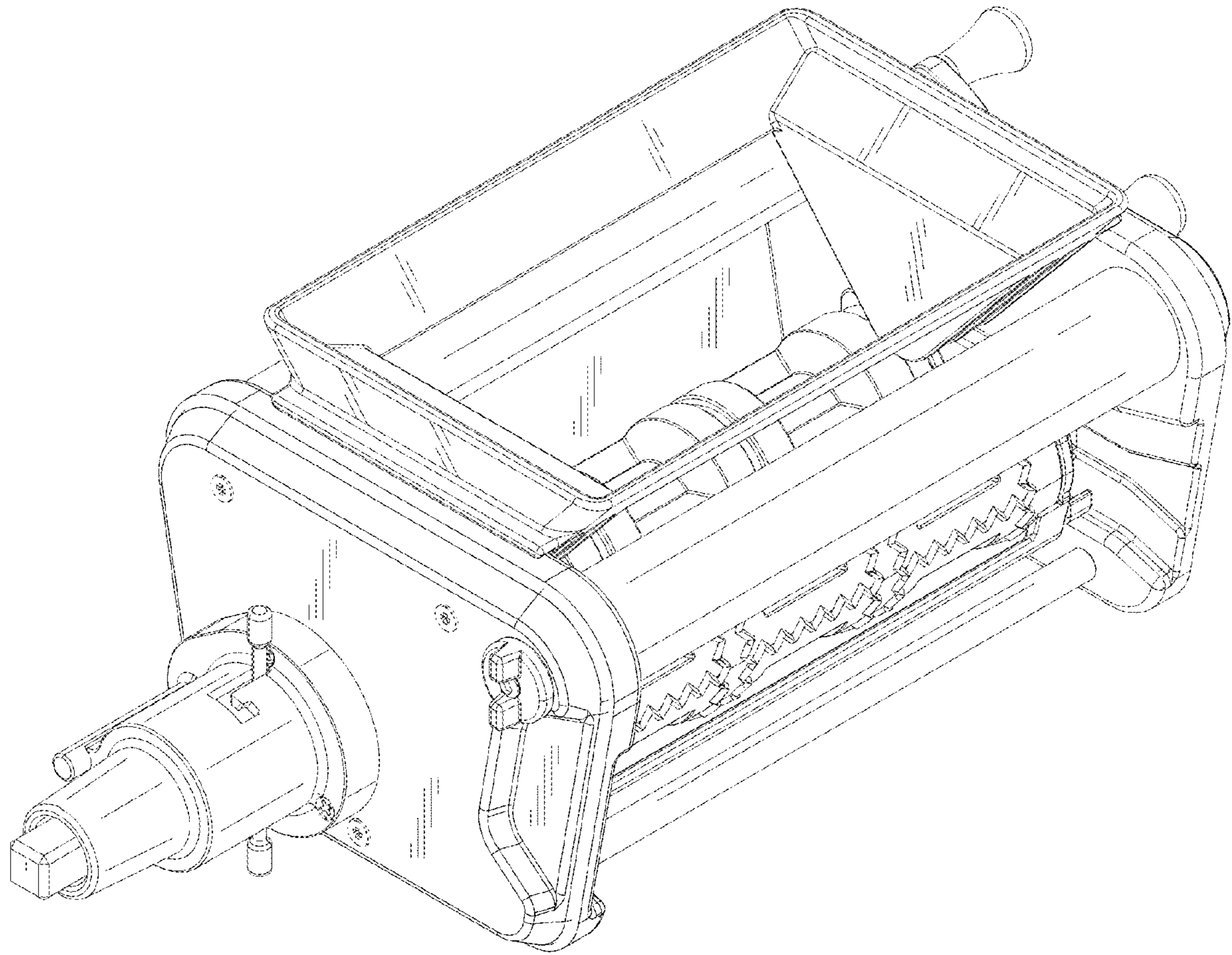


FIG. 1

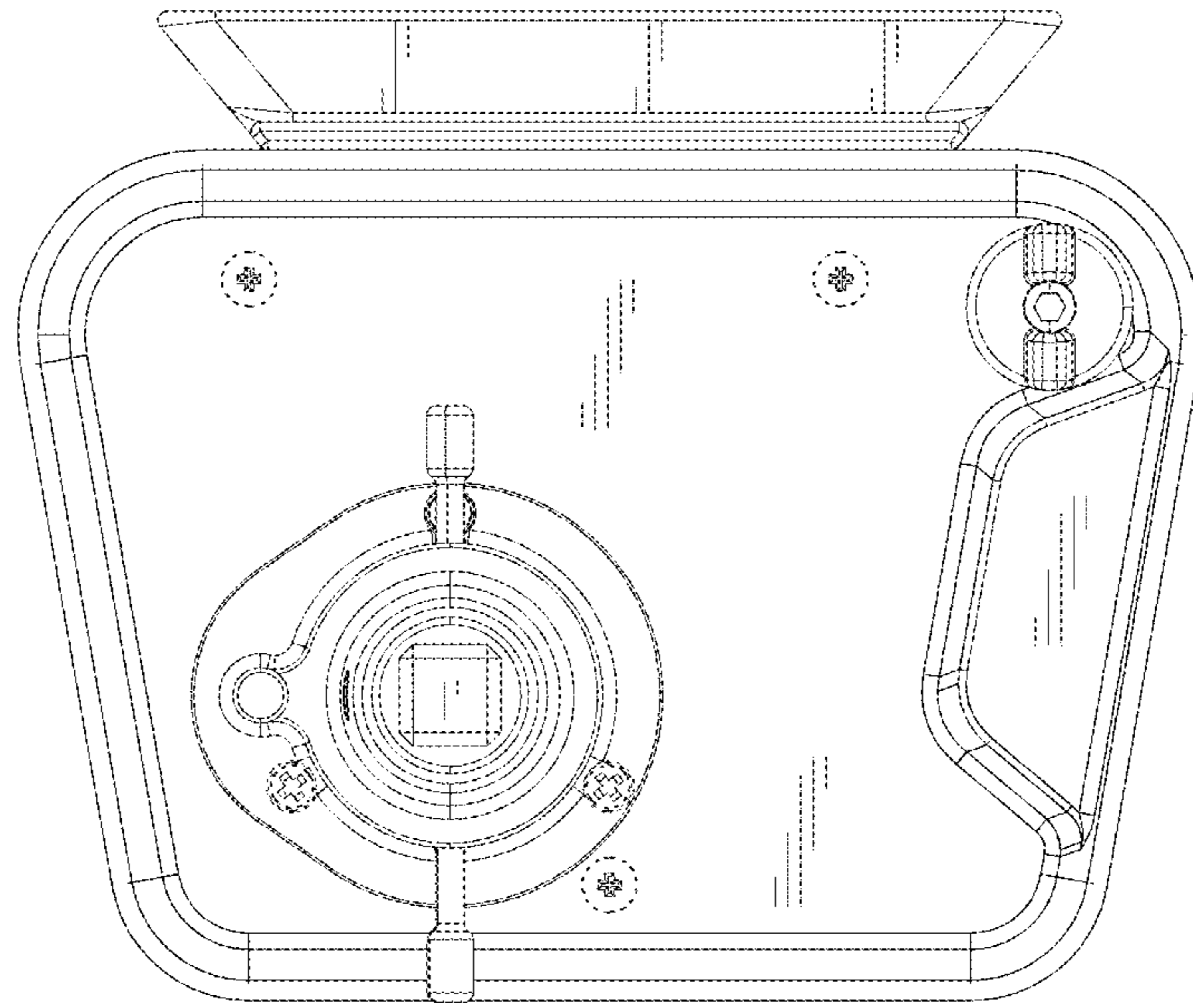


FIG. 2

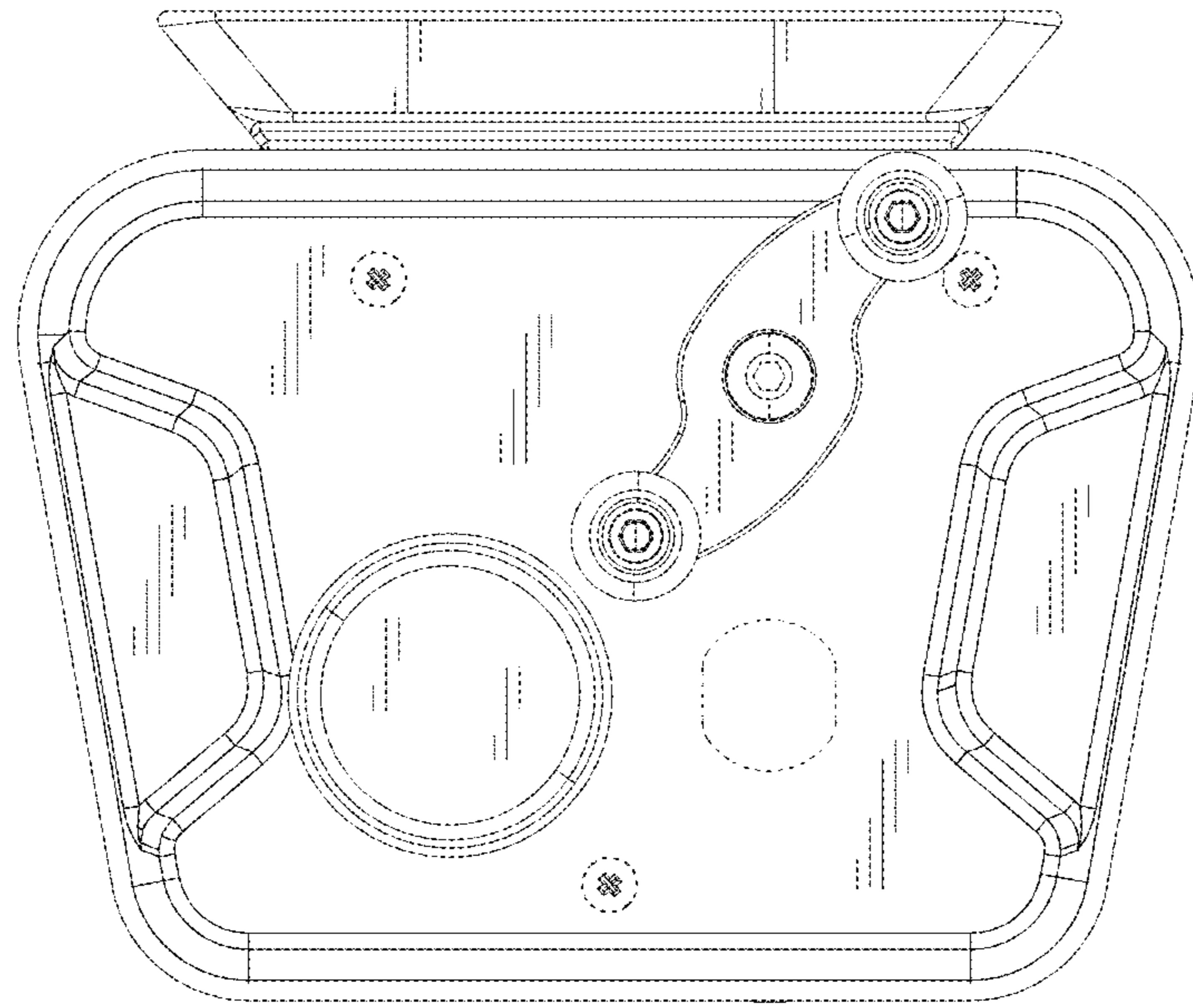


FIG. 3

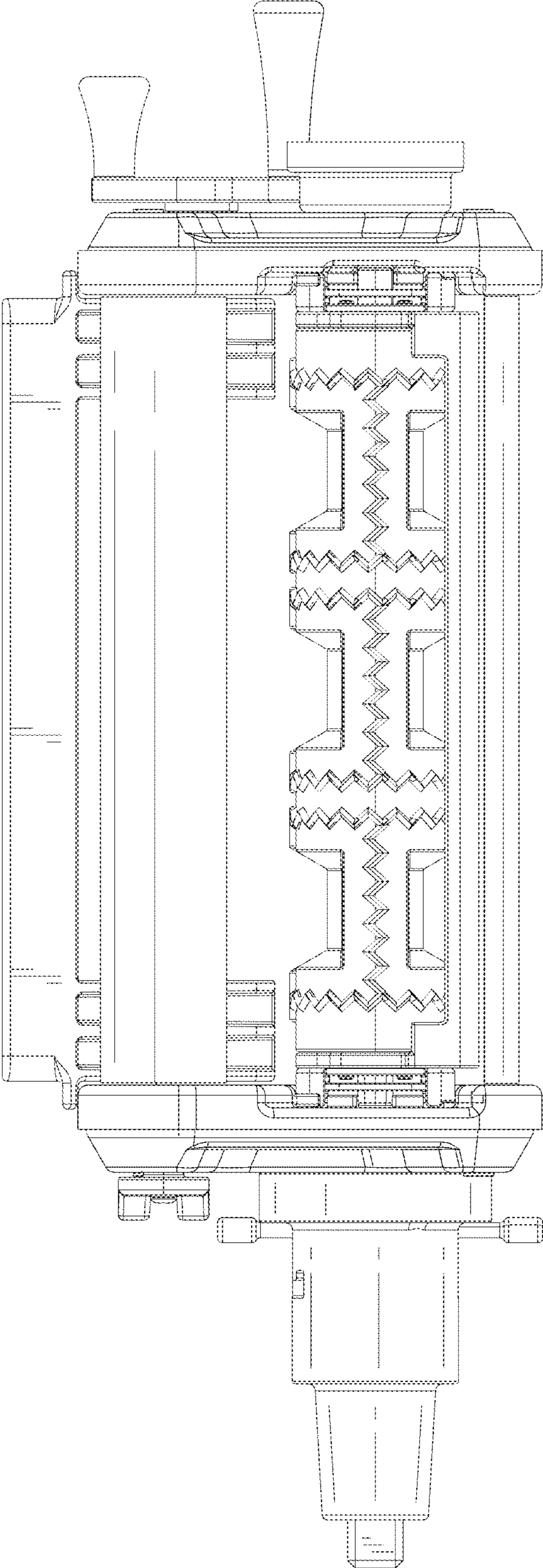


FIG. 4

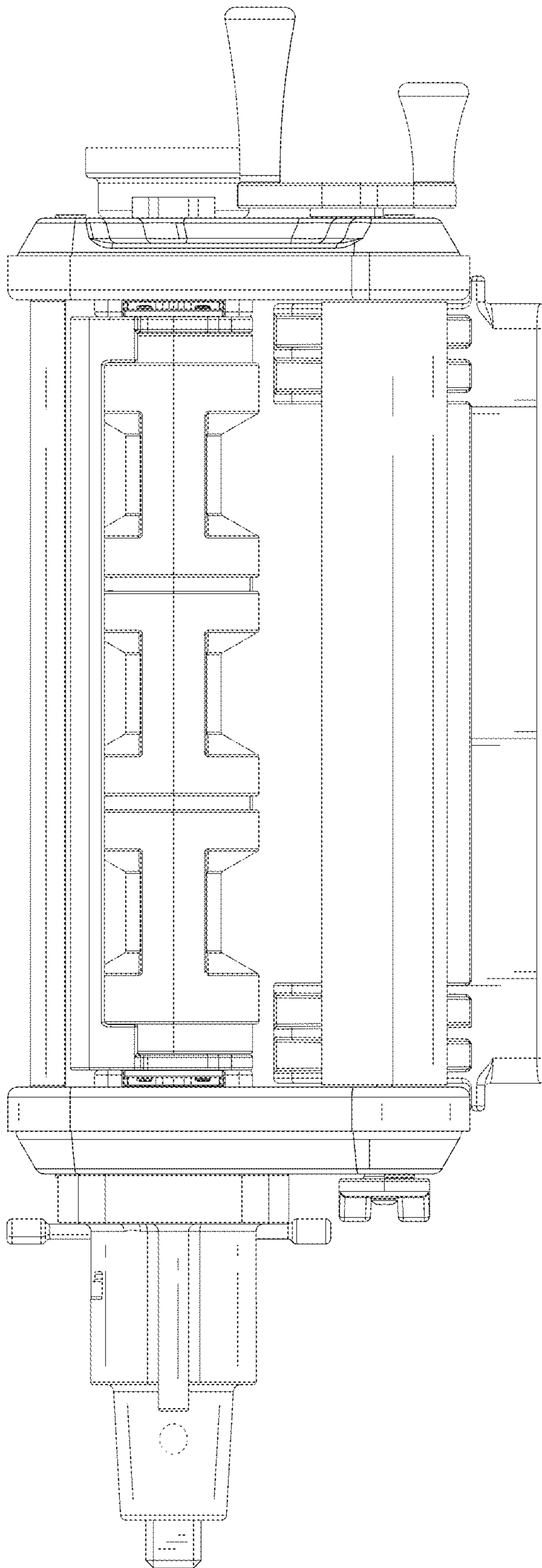


FIG. 5

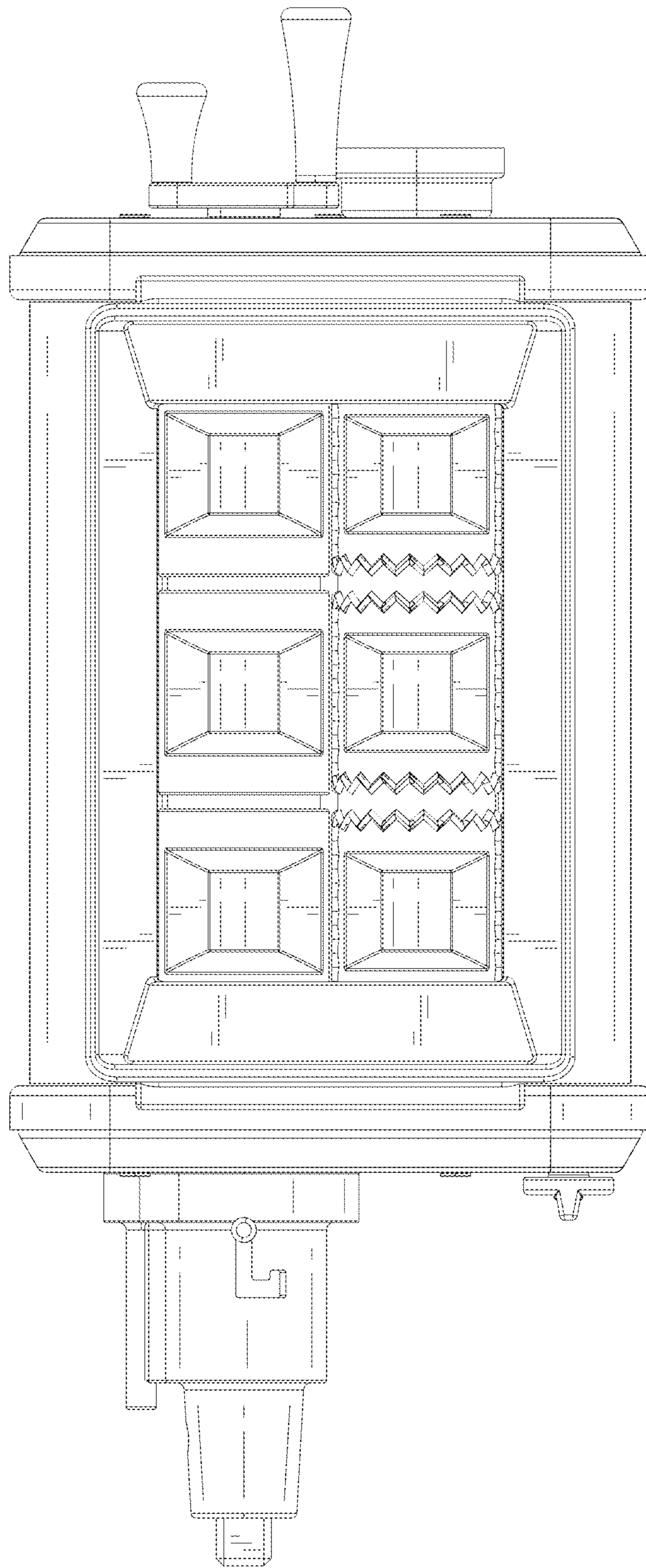


FIG. 6

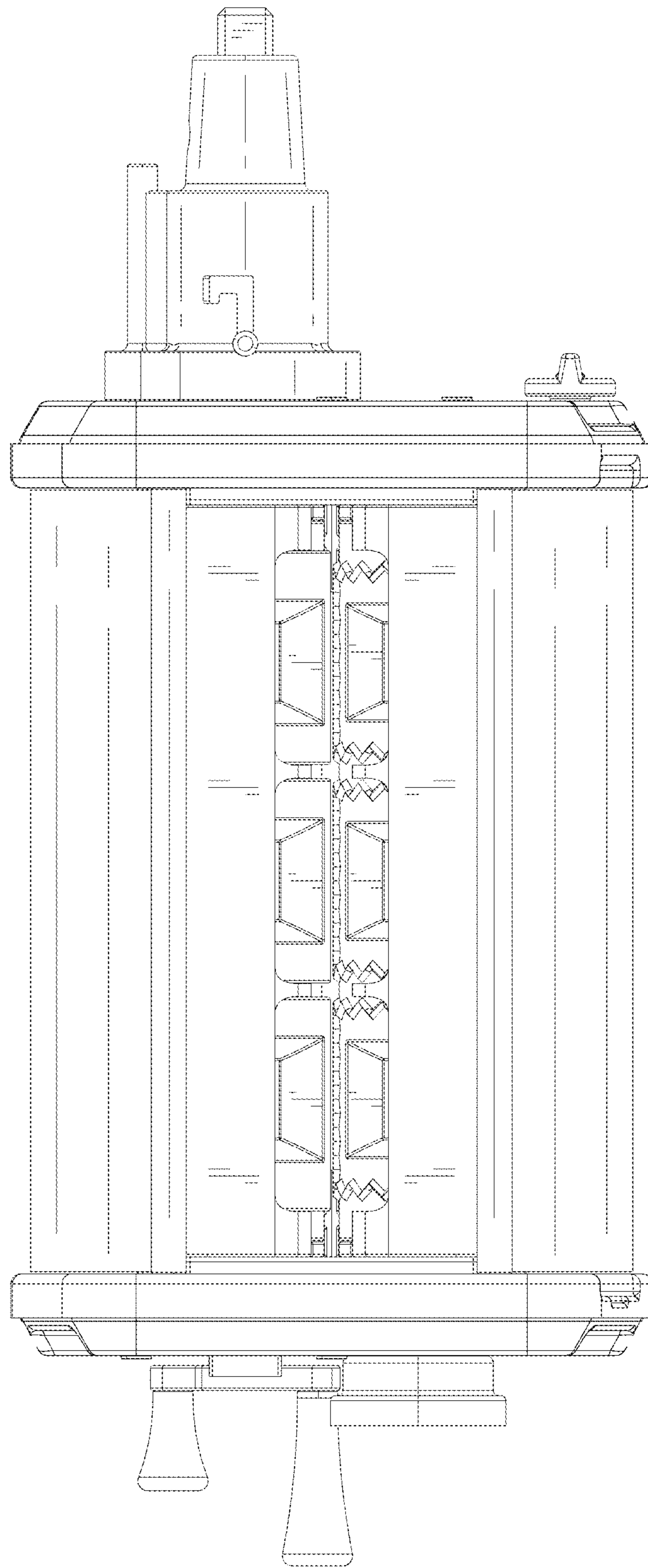


FIG. 7