



US00D910373S

(12) **United States Design Patent** (10) **Patent No.:** **US D910,373 S**  
**Carrette** (45) **Date of Patent:** **\*\* Feb. 16, 2021**

(54) **COOKING RING**

(71) Applicant: **Dart Industries Inc.**, Orlando, FL (US)

(72) Inventor: **Johan Carrette**, Brussels (BE)

(73) Assignee: **Dart Industries Inc.**, Orlando, FL (US)

(\*\*) Term: **15 Years**

(21) Appl. No.: **29/698,439**

(22) Filed: **Jul. 17, 2019**

(51) **LOC (13) Cl.** ..... **07-02**

(52) **U.S. Cl.**

USPC ..... **D7/408**

(58) **Field of Classification Search**

USPC ..... D7/213, 323, 327, 331, 339, 340, 346,  
D7/348, 350.1, 352, 354, 355, 357, 362,  
D7/365, 367, 387, 388, 402, 403,  
D7/406-409, 412; D23/332, 335, 339,  
D23/341, 382, 390, 397

CPC .. A47J 27/00; A47J 27/02; A47J 27/14; A47J  
33/00; A47J 36/00; A47J 36/16; A47J  
36/34; A47J 36/42; A47J 37/00; A47J  
37/01; A47J 37/04; A47J 37/06; A47J  
37/0647; A47J 37/07; A47J 37/0713;  
A47J 37/0727; A47J 37/074; A47J 39/00;  
A47J 39/003; A47J 43/00; A47J 43/20;  
A47J 47/00; F24B 1/20; F24C 3/00;  
F24C 3/002; F24C 3/004; F24C 3/006;  
F24C 3/008; F24C 3/02; F24C 3/025;  
F24C 3/027; F24C 3/04; F24C 3/042;  
F24C 3/045; F24C 3/047; F24C 3/06;  
F24C 3/062; F24C 3/065; F24C 3/067;  
F24C 3/08; F24C 3/082; F24C 3/085;  
F24C 7/00; F24C 7/002; F24C 7/04;  
F24C 7/043; F24C 7/046; F24C 7/06;  
F24C 7/062; F24C 7/067; F24C 9/00;  
F24C 11/00; F24C 15/00; F24C 15/06;  
F24C 15/10; F24C 15/102; F24C 15/103;  
F24C 15/107; F24C 15/108; F24C 15/12

See application file for complete search history.

(56) **References Cited**

U.S. PATENT DOCUMENTS

D369,941 S \* 5/1996 Ramina ..... D7/387  
D377,138 S \* 1/1997 Angelo ..... D7/387

(Continued)

OTHER PUBLICATIONS

Design No. 300920957.0000, Aug. 24, 2017—Korean Intellectual Property Office (KIPO) Publication Date—Aug. 31, 2017 Owner—Hyoseong Hanaro Co Ltd, Designer—Ryu Sangkeun WIPO, available at <https://www3.wipo.int/designdb/en/index.jsp> (Year: 2017).\*

(Continued)

*Primary Examiner* — Mary Ann Calabrese

*Assistant Examiner* — Natalya M Rapundalo

(74) *Attorney, Agent, or Firm* — Taylor J. Ross

(57) **CLAIM**

The ornamental design for a cooking ring, as shown and described.

**DESCRIPTION**

FIG. 1 is a top, front, right and left side isometric view of a cooking ring showing my new design;

FIG. 2 is a bottom, front, right and left side isometric view thereof;

FIG. 3 is a right side elevation view, the left side elevation being identical thereto;

FIG. 4 is a front side elevation view, the rear elevation being identical thereto;

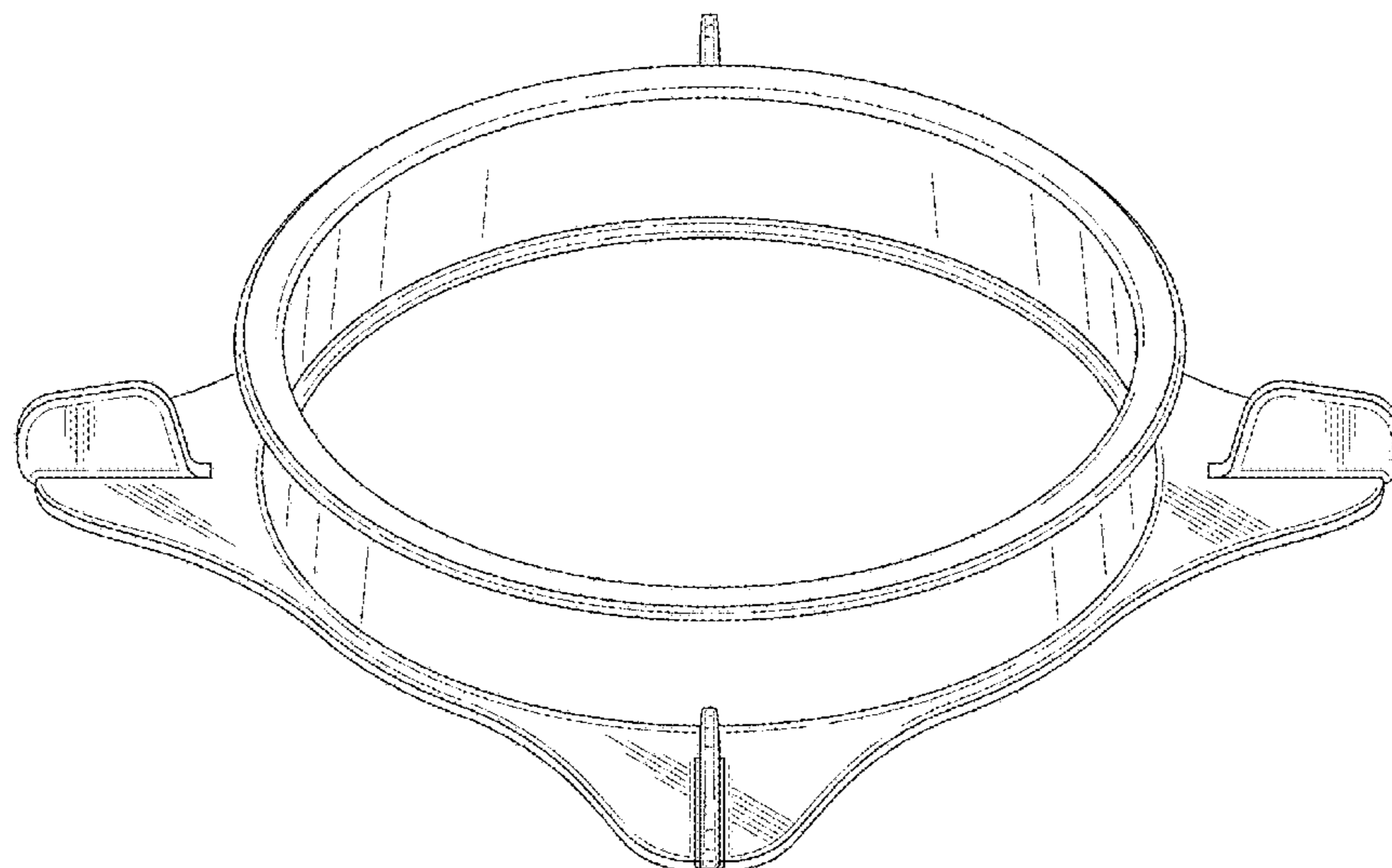
FIG. 5 is a top plan view thereof;

FIG. 6 is a bottom plan view thereof;

FIG. 7 is a cross-sectional view taken along line 7-7 of FIG. 5; and,

FIG. 8 is a cross-sectional view taken along line 8-8 of FIG. 5.

**1 Claim, 5 Drawing Sheets**



(56)

**References Cited**

## U.S. PATENT DOCUMENTS

D542,091	S	*	5/2007	Hoff	.....	D7/409
D559,616	S	*	1/2008	Kaposi	.....	D7/213
D622,539	S	*	8/2010	Simon	.....	D7/354
D652,675	S	*	1/2012	Miller	.....	D7/402
D703,892	S	*	4/2014	Nhem	.....	A23G 3/0273
						D32/31
D749,888	S	*	2/2016	Magistro	.....	D7/354
D870,511	S	*	12/2019	Yamada	.....	D7/402
2004/0231527	A1	*	11/2004	Brasset	.....	A23G 3/0273
						99/426

## OTHER PUBLICATIONS

DoughEz 9-Inch Round Silicone Glass Bottom Non-Stick Springform Pan, first available Oct. 27, 2018, Amazon, [online], [site visited Dec. 9, 2020], Available from internet URL: <https://www.amazon.com/Silicone-Non-Stick-Springform-Dishwasher-Materials/dp/B07DQLB8X9> (Year: 2018).\*

Design No. 007199112-0001, Nov. 7, 2019—European Union Intellectual Property Office (EUIPO) Publication Date—Nov. 19, 2019 Owner—Dart Industries Inc., Designer—Johan Carrette DesignView, available at [www.tmdn.org/tmdsview-web/welcome](http://www.tmdn.org/tmdsview-web/welcome) (Year: 2019).\*

Silicon Pro Ring for MicroPro Grill, first available Oct. 9, 2020, Amazon, [online], [site visited Dec. 9, 2020], Available from internet URL: <https://www.amazon.com/Silicon-Pro-Ring-MicroPro-Grill/dp/B08KYJ3B2K> (Year: 2020).\*

MicroPro Ring—Tupperware, first available Jan. 2, 2020, YouTube, [online], [site visited Dec. 9, 2020], Available from internet URL: <https://www.youtube.com/watch?v=99gQpoj7UqM> (Year: 2020).\*

Pinzhi Cooking Ring; Amazon.com; Mar. 1, 2019.

Chefrino cooking rings; Amazon.com; Mar. 1, 2019.

\* cited by examiner

FIG. 1

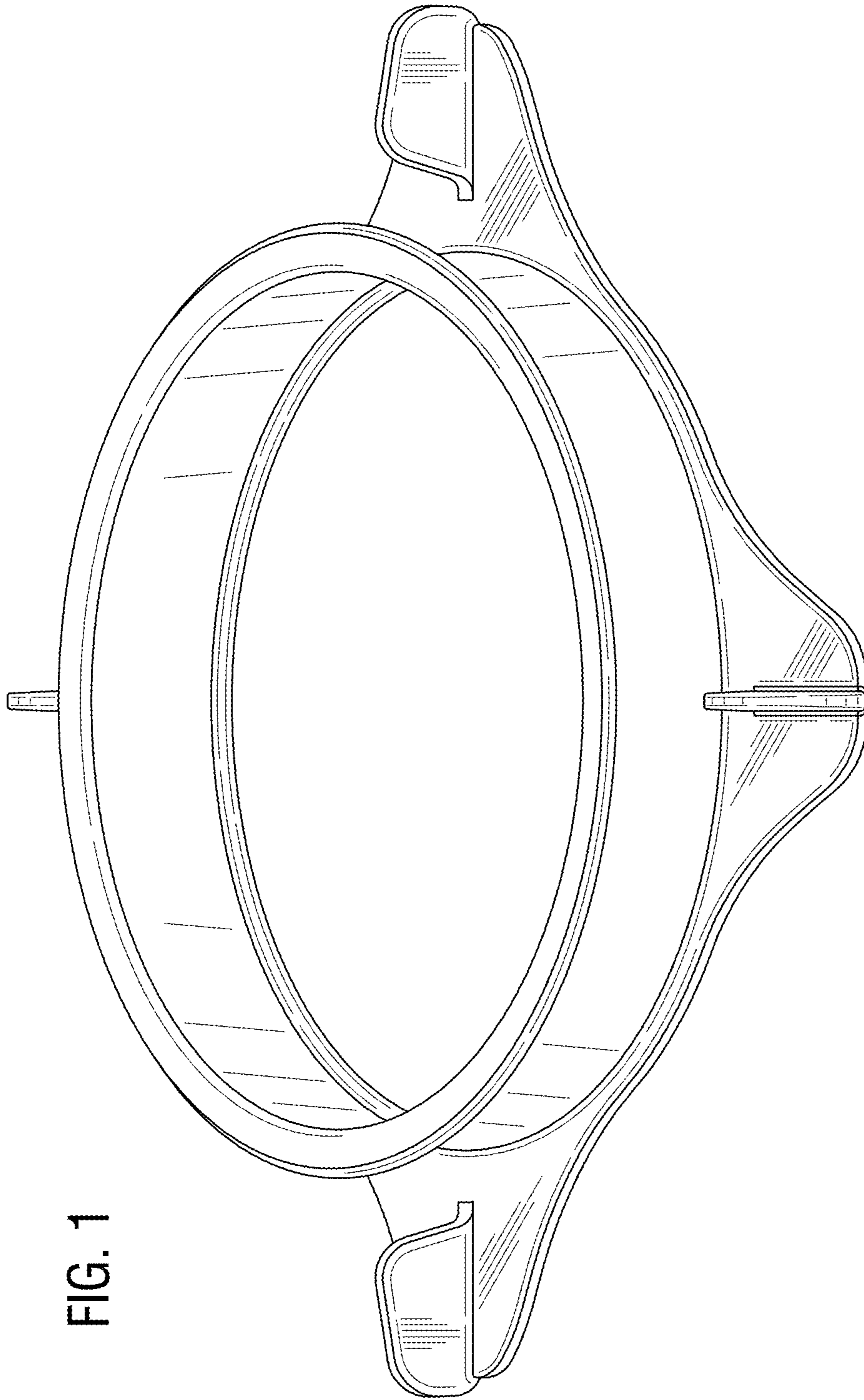
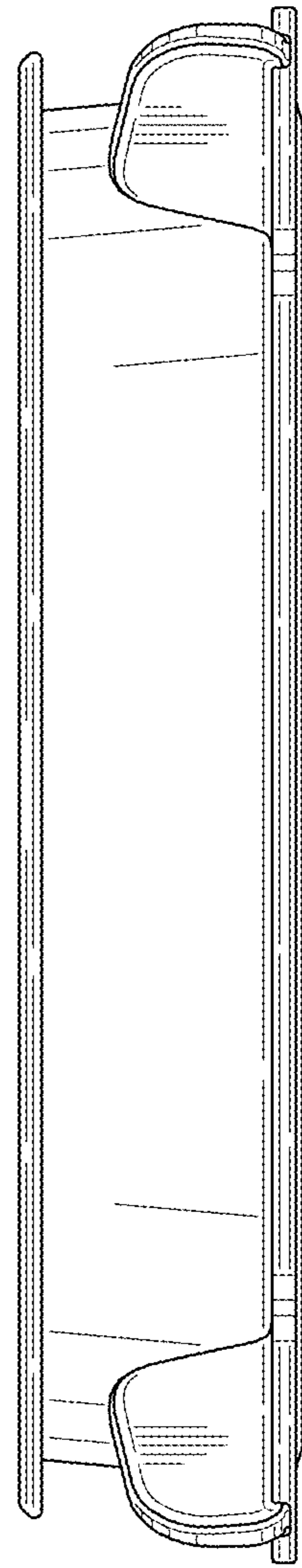


FIG. 3



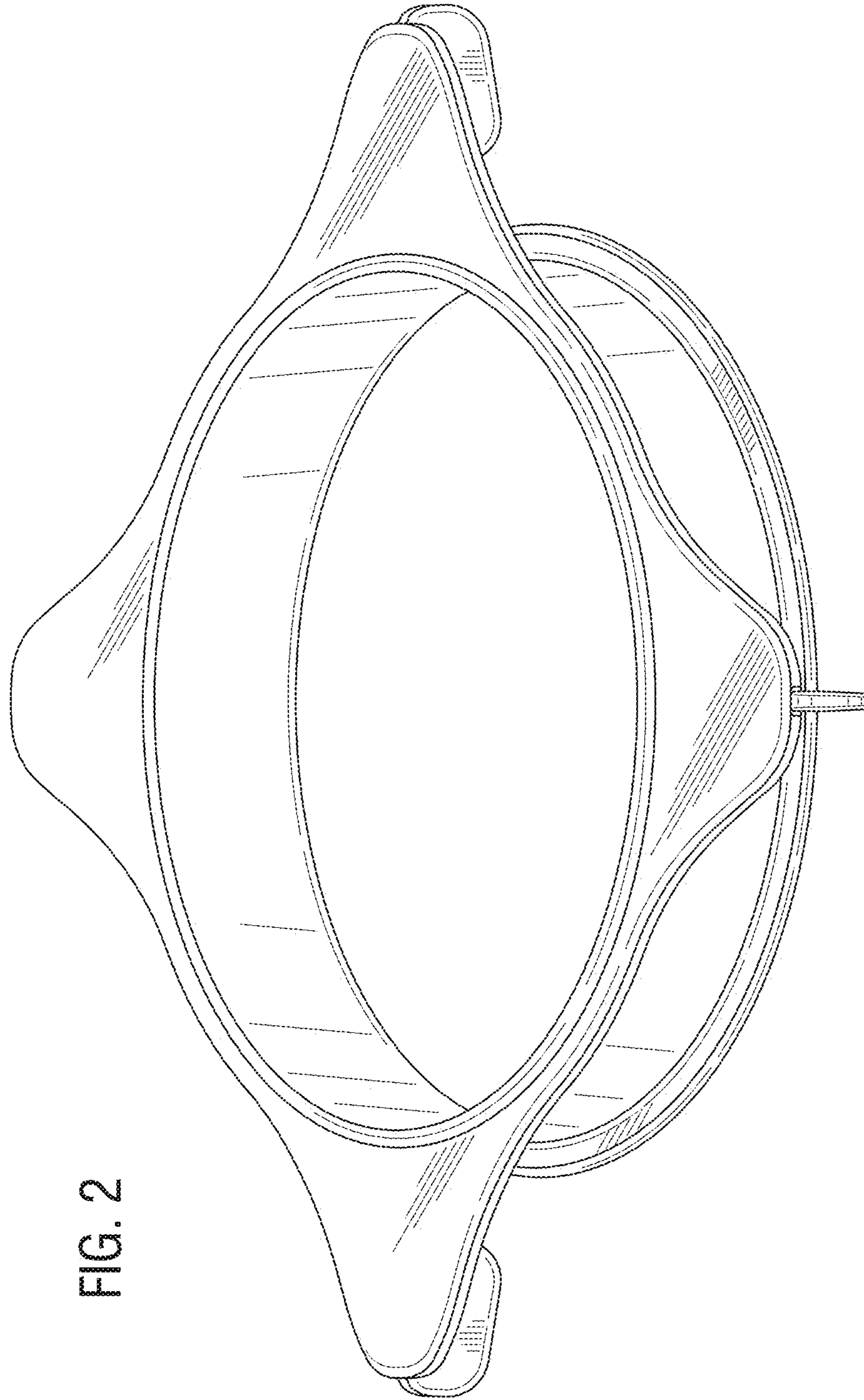


FIG. 2

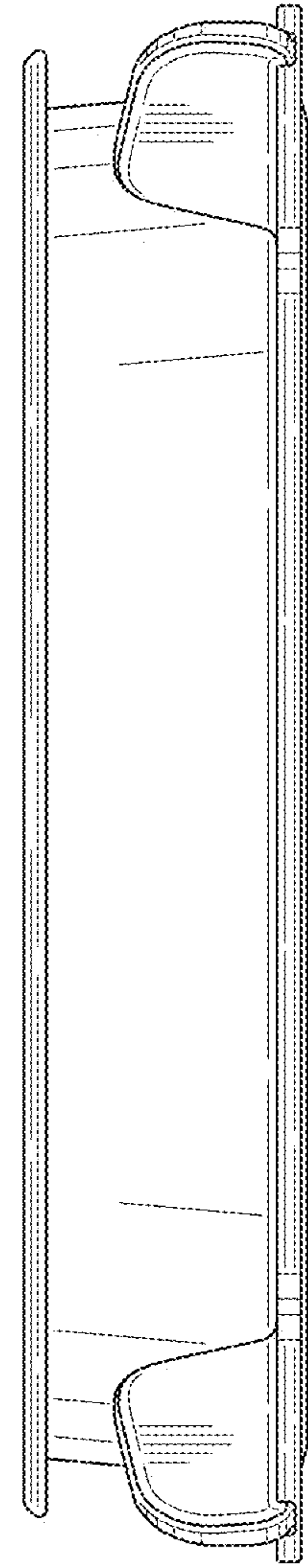


FIG. 4

FIG. 5

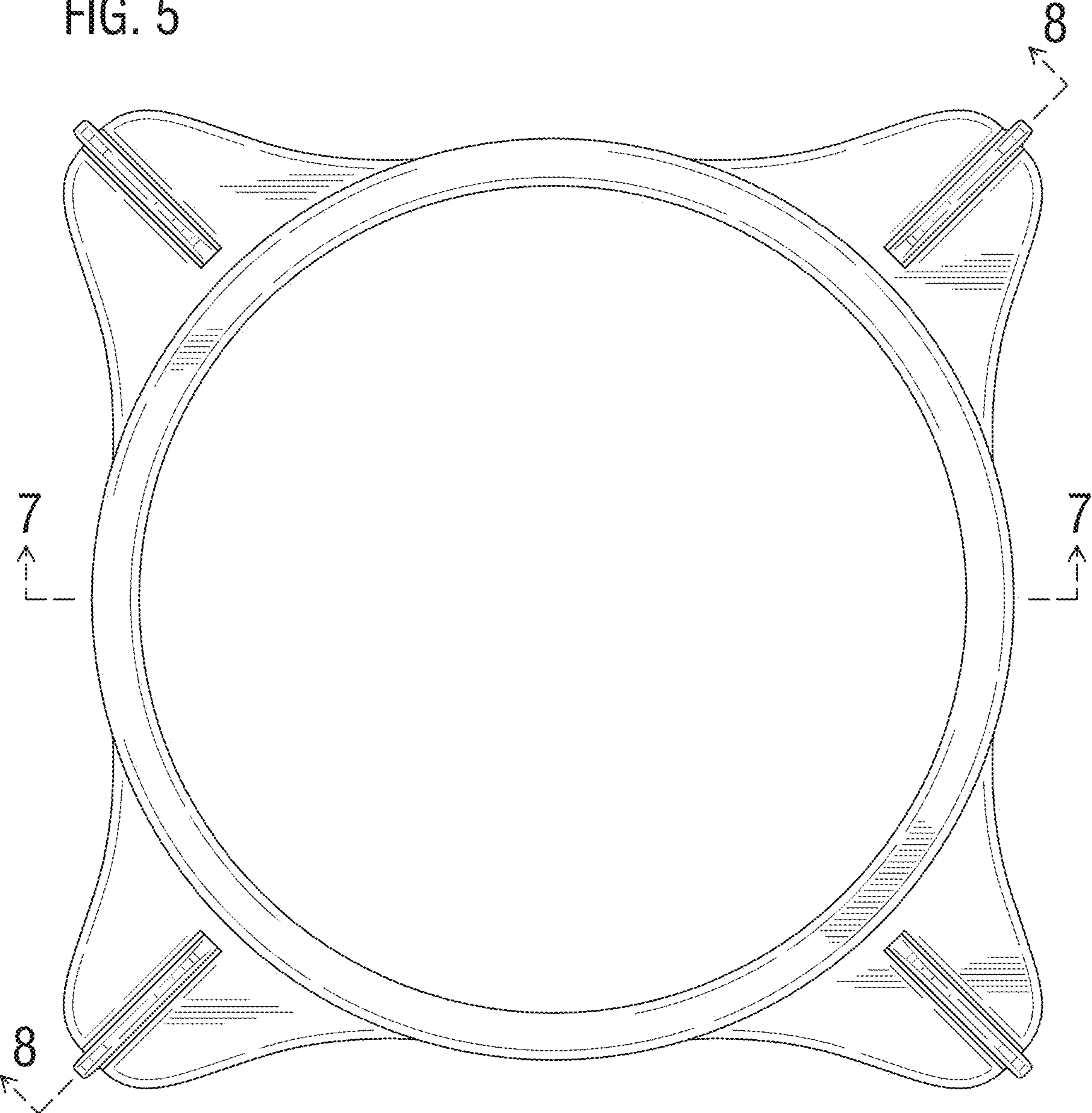


FIG. 6

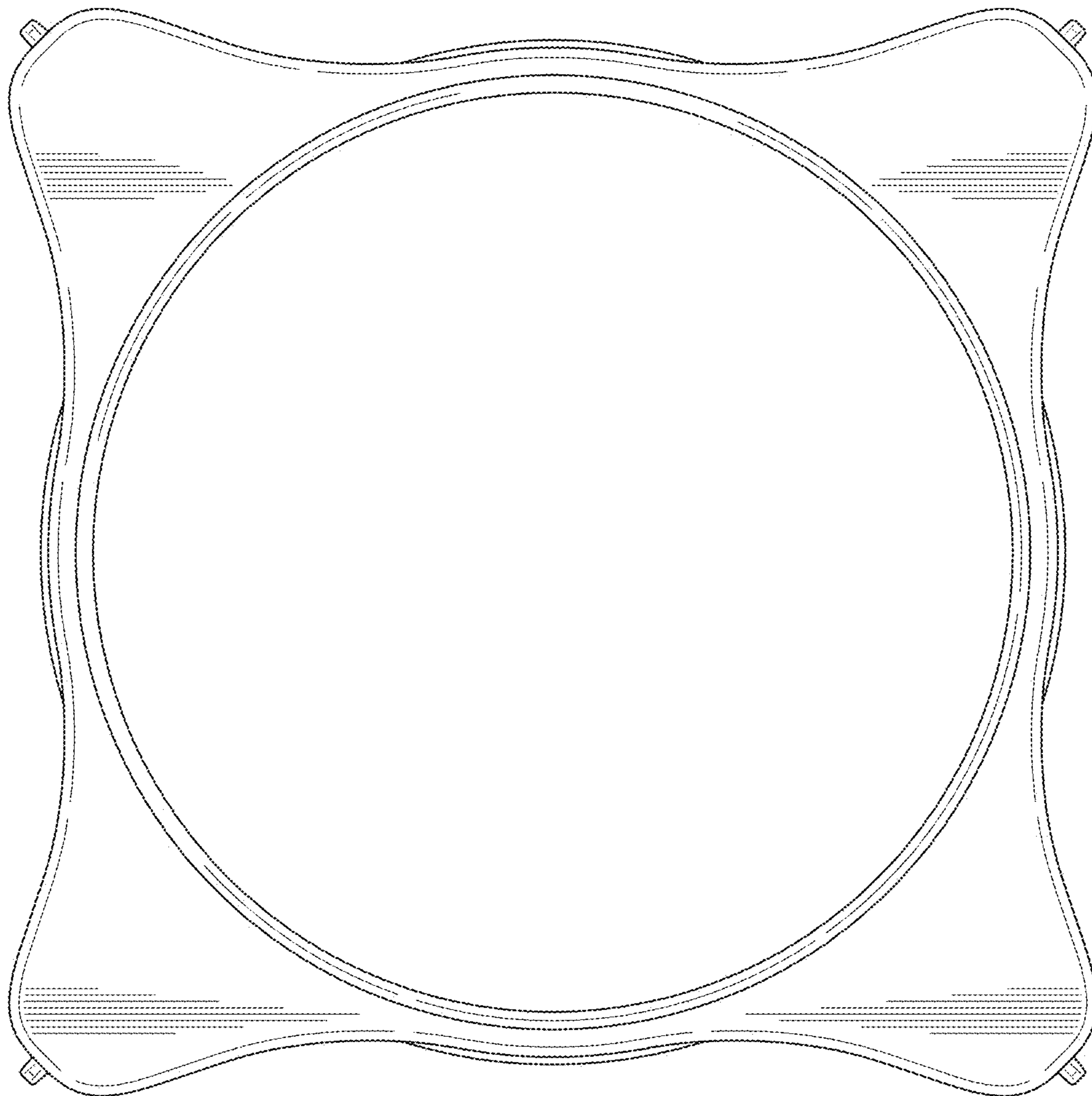


FIG. 7

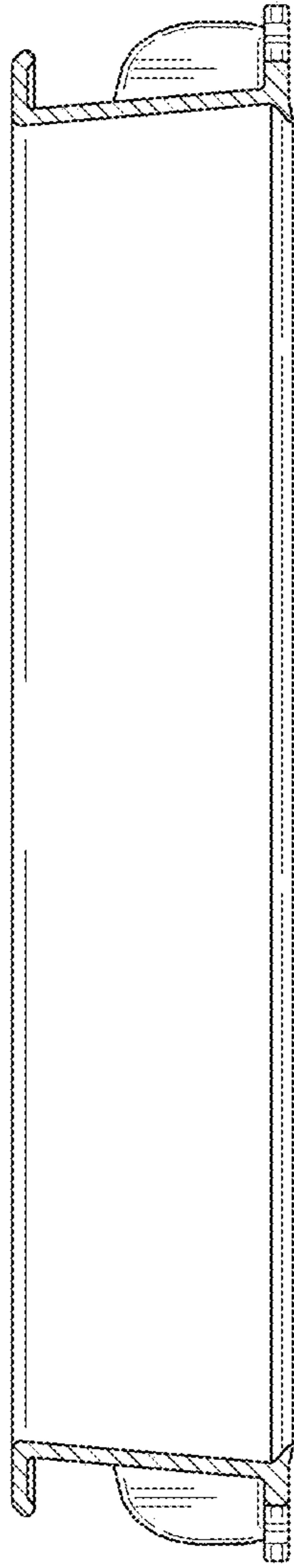


FIG. 8

