



US00D910372S

(12) **United States Design Patent** (10) **Patent No.:** **US D910,372 S**  
**Tarrerrias** (45) **Date of Patent:** **\*\* Feb. 16, 2021**

(54) **KITCHEN KNIFE HANDLE**  
(71) Applicant: **SOCIETE D'EXPLOITATION TARRERIAS BONJEAN**,  
Celles-sur-Durolle (FR)  
(72) Inventor: **Eric Tarrerrias**, Pont-du-Château (FR)  
(73) Assignee: **SOCIETE D'EXPLOITATION TARRERIAS BONJEAN**,  
Celles-sur-Durolle (FR)

D7,385 S \* 4/1874 Butler ..... D7/649  
D42,619 S \* 6/1912 Cress ..... D7/650  
D147,593 S \* 9/1947 Lipic ..... D8/102  
2,464,091 A \* 3/1949 Koontz ..... A61B 17/3213  
279/55  
D154,006 S \* 5/1949 Wagner ..... D7/649  
D154,719 S \* 8/1949 Slaysky et al. .... A61B 17/3213  
D7/649

(Continued)

(\*\*) Term: **15 Years**  
(21) Appl. No.: **35/507,364**  
(22) Filed: **Apr. 2, 2019**

(80) **Hague Agreement Data**  
Int. Filing Date: **Apr. 2, 2019**  
Int. Reg. No.: **DM/202494**  
Int. Reg. Date: **Apr. 2, 2019**  
Int. Reg. Pub. Date: **Sep. 6, 2019**

(30) **Foreign Application Priority Data**  
Jan. 15, 2019 (EM) ..... 006029518-0006  
(51) **LOC (13) Cl.** ..... **07-99**  
(52) **U.S. Cl.**  
USPC ..... **D7/401.2**  
(58) **Field of Classification Search**  
USPC ..... D7/401.2, 649, 650  
CPC .. B21D 53/70; B25G 3/34; B25G 3/36; B26B  
1/10; B26B 3/00; B26B 3/02  
See application file for complete search history.

(56) **References Cited**  
U.S. PATENT DOCUMENTS  
D7,382 S \* 4/1874 Butler ..... D7/649  
D7,383 S \* 4/1874 Butler ..... D7/649  
D7,384 S \* 4/1874 Butler ..... D7/649

**OTHER PUBLICATIONS**

Screenshot: Couteau Steak lame micro dentée—Collection Louis. Undated; one page. Found online Jun. 4, 2020 at <https://www.tb-groupe.fr/couteau-steak-lame-micro-dentee-collection-louis-c2x301644,44> (Year: 2020).\*

(Continued)

*Primary Examiner* — Robert M. Spear  
(74) *Attorney, Agent, or Firm* — McNeas Wallace & Nurick LLC

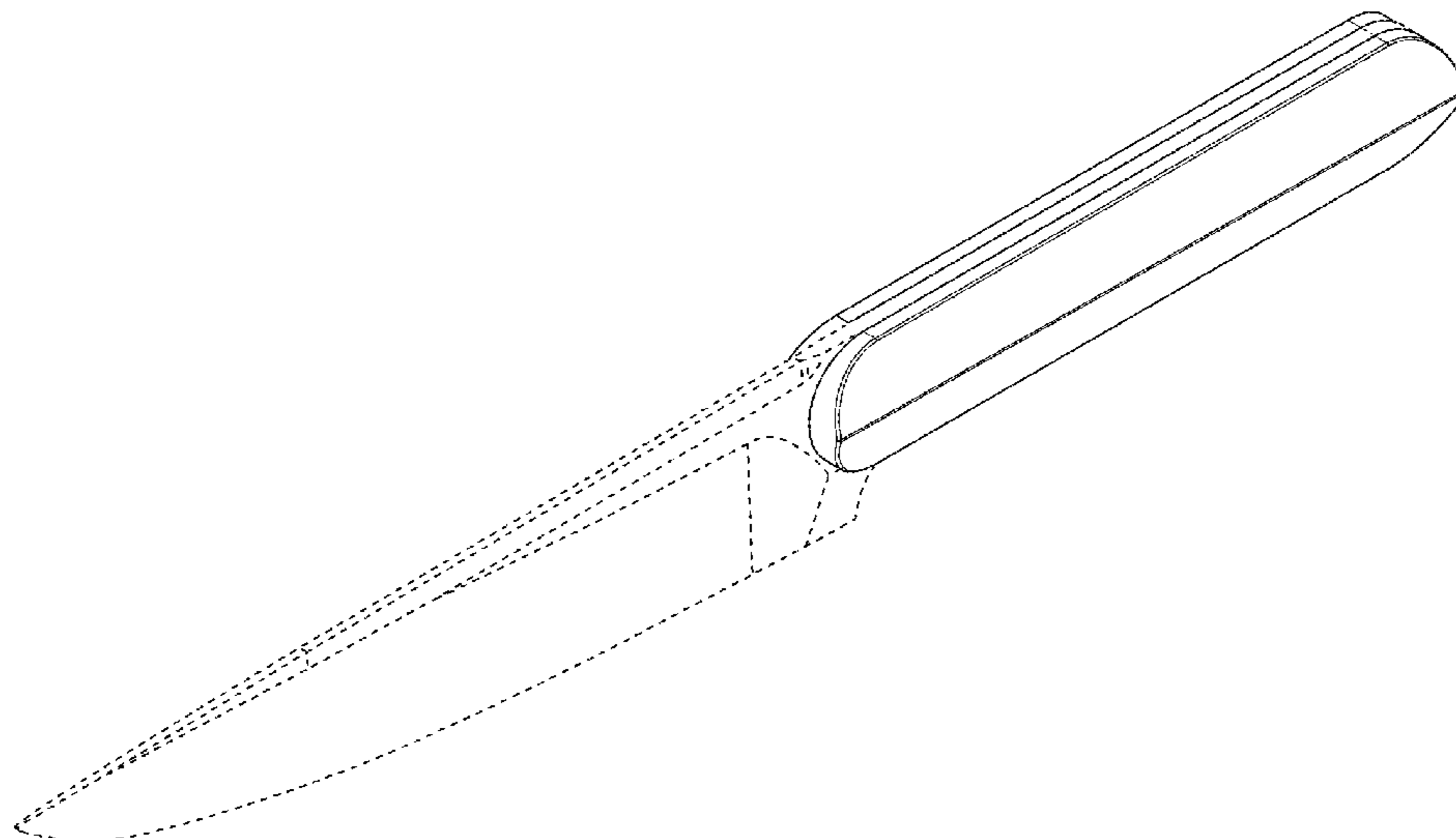
(57) **CLAIM**

The ornamental design for a kitchen knife handle, as shown and described.

**DESCRIPTION**

**1.1** is a perspective view of a kitchen knife handle, showing the design;  
**1.2** is a front elevation view of the kitchen knife handle of **1.1**;  
**1.3** is a rear elevation view of the kitchen knife handle of **1.1**;  
**1.4** is a right side elevation view of the kitchen knife handle of **1.1**;  
**1.5** is a left side elevation view of the kitchen knife handle of **1.1**;  
**1.6** is a top plan view of the kitchen knife handle of **1.1**; and  
**1.7** is a bottom plan view of the kitchen knife handle of **1.1**.  
The broken line showing of a knife blade depicts environment and forms no part of the claim.

**1 Claim, 7 Drawing Sheets**



(56)

**References Cited**

U.S. PATENT DOCUMENTS

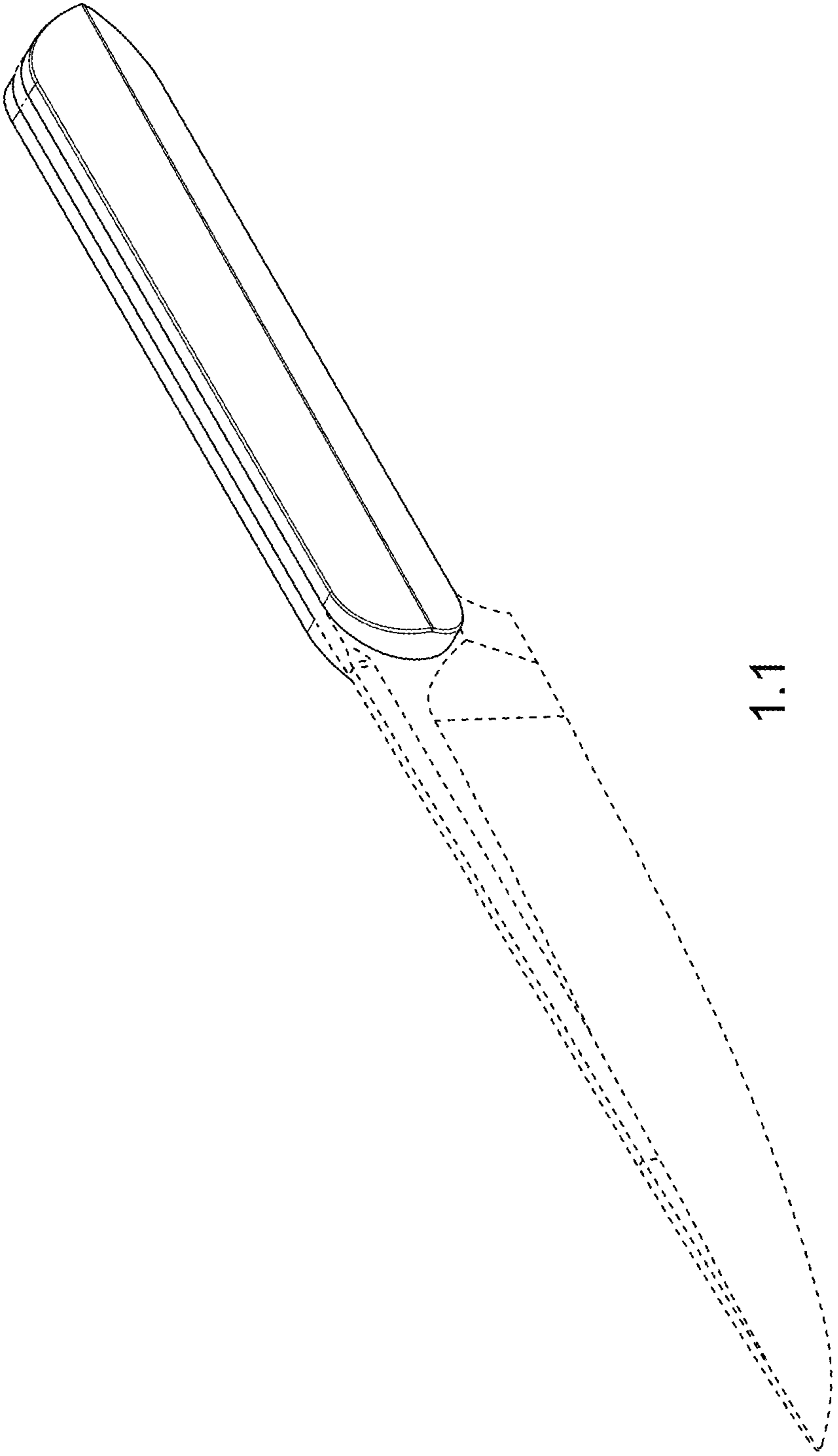
D159,702 S \* 8/1950 Wagner ..... D7/649  
D266,735 S \* 11/1982 Hahn ..... D7/650  
D291,400 S \* 8/1987 Pedrini ..... D7/395  
D714,104 S \* 9/2014 Cotter ..... D7/401.2  
D783,382 S \* 4/2017 Lebeau ..... D8/99  
D822,444 S \* 7/2018 McGuyer ..... D7/649  
D831,419 S \* 10/2018 Liu ..... D7/401.2  
D884,439 S \* 5/2020 Klipshtein ..... D7/649

OTHER PUBLICATIONS

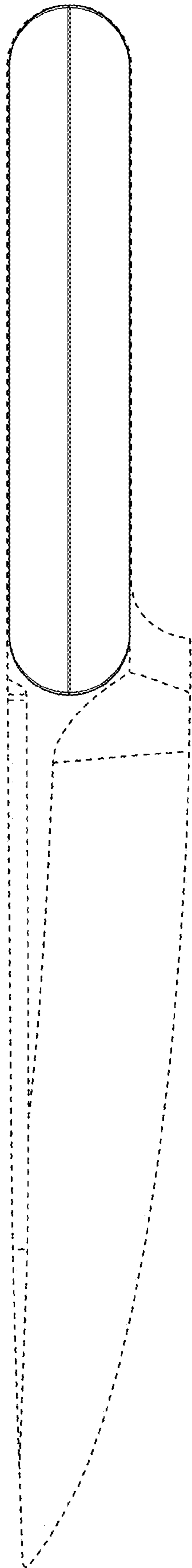
Screenshot: Tarrerias Bonjean pair of knives. Sep. 30, 2019; one page. Found online Jun. 4, 2020 at <https://fr-fr.facebook.com/pg/TarreriasBonjean/reviews/> (Year: 2019).\*

Screenshot: Coffret 3 couteaux (Office, Santoku, Chef) Collection Louis. Undated; one page. Found online Jun. 4, 2020 at <https://www.tb-groupe.fr/coffret-3-couteaux-office-santuko-chef-collection-louis-c2x30525066> (Year: 2020).\*

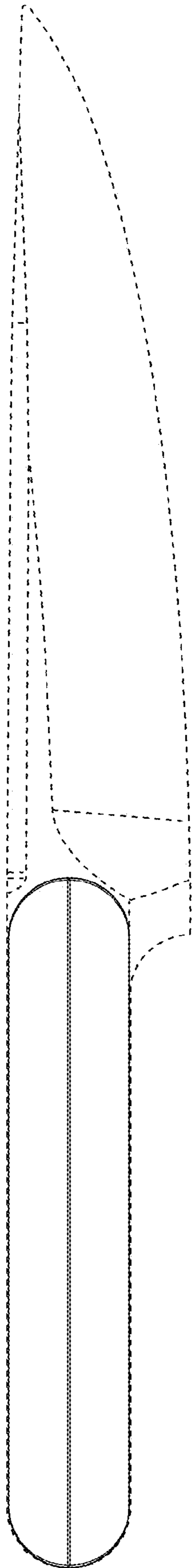
\* cited by examiner



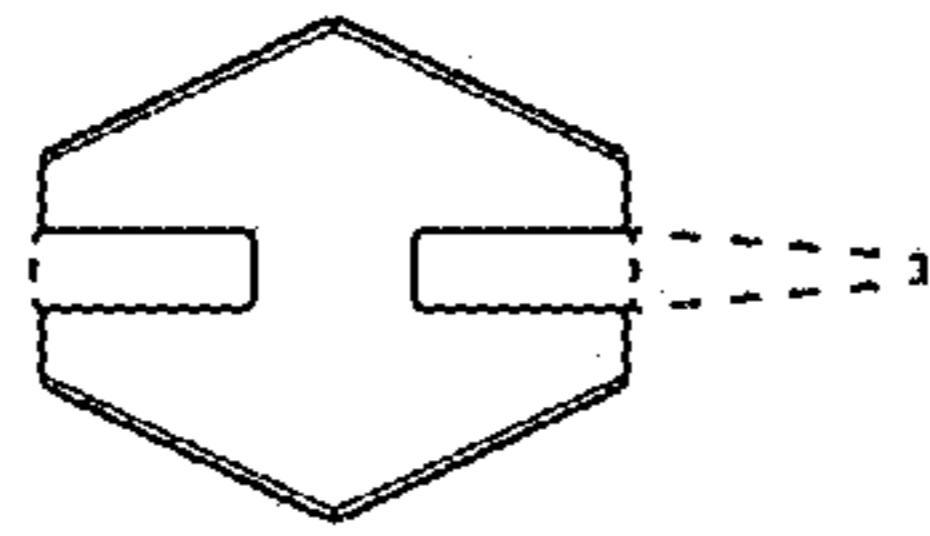
1.1



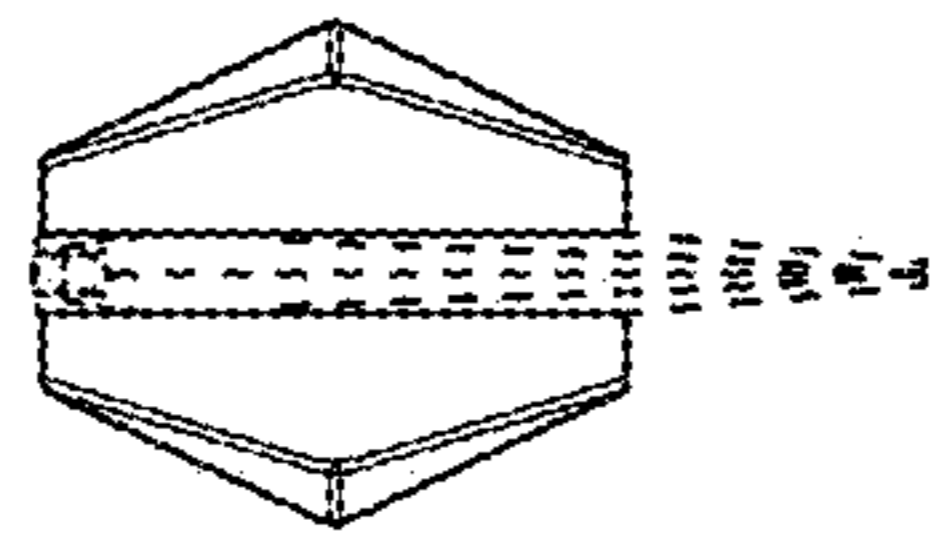
1.2



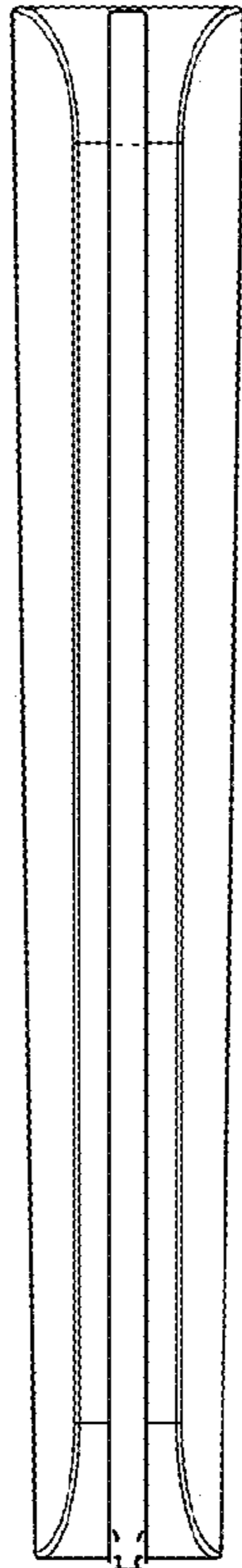
1.3



1.4

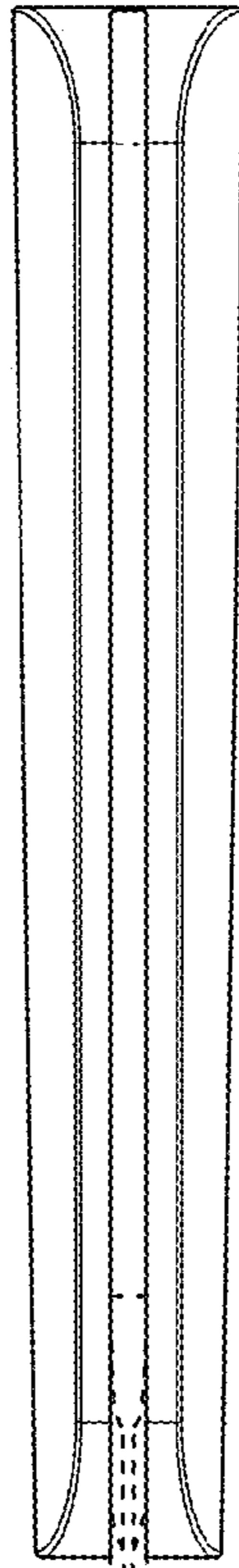


1.5



1.6





1.7