



US00D910371S

(12) **United States Design Patent**
Zhang

(10) **Patent No.:** **US D910,371 S**

(45) **Date of Patent:** **** Feb. 16, 2021**

(54) **COFFEE FILTER**

(71) Applicant: **Yu E Zhang**, Changde (CN)

(72) Inventor: **Yu E Zhang**, Changde (CN)

(**) Term: **15 Years**

(21) Appl. No.: **29/667,668**

(22) Filed: **Oct. 24, 2018**

(51) **LOC (13) Cl.** **07-99**

(52) **U.S. Cl.**
USPC **D7/400**

(58) **Field of Classification Search**
USPC D7/397-401, 306, 309-311, 313, 392.1,
D7/396.2, 605, 510, 507, 667; D23/209;
D9/428
CPC A47J 31/06; A47J 31/446; A47J 31/02;
A47J 31/0606-0636; A47J 31/005; A47J
31/0689; A47J 31/407
See application file for complete search history.

(56) **References Cited**

U.S. PATENT DOCUMENTS

D407,602 S *	4/1999	Patel	D7/400
5,910,205 A *	6/1999	Patel	A47J 31/0642 99/307
6,161,470 A *	12/2000	Justus	A47J 31/0636 219/474
D677,120 S *	3/2013	DeMiglio	A47J 31/0689 D7/400
D688,095 S *	8/2013	DeMiglio	D7/400
D694,579 S *	12/2013	Khubani	D7/400
D721,536 S *	1/2015	Advani	D7/400
D723,868 S *	3/2015	Hertaus	D7/399
D753,482 S *	4/2016	Serrano	D9/428
D757,492 S *	5/2016	Ming	D7/400
D764,226 S *	8/2016	Ming	D7/400
D767,331 S *	9/2016	Burrows	D7/399
D771,434 S *	11/2016	Burrows	D7/399
D815,925 S *	4/2018	Rapparini	D9/428
D860,724 S *	9/2019	Kassin	D7/400

D860,777 S *	9/2019	Giovanni	D9/428
D889,907 S *	7/2020	Braukmann	D7/400
2012/0012008 A1 *	1/2012	Kwok	A47J 31/0615 99/297

(Continued)

FOREIGN PATENT DOCUMENTS

CN 304039431 * 2/2017

OTHER PUBLICATIONS

DParker, Coffee time! (Review for Fill N Save Elite Series), May 1, 2016, Amazon, <https://www.amazon.com/Fill-Save-Stainless-Refillable-Replacement/dp/B07SQWV5ZY/> (Year: 2016).*

Primary Examiner — Brett Miller

(74) *Attorney, Agent, or Firm* — Law Offices of Steven W. Weinrieb

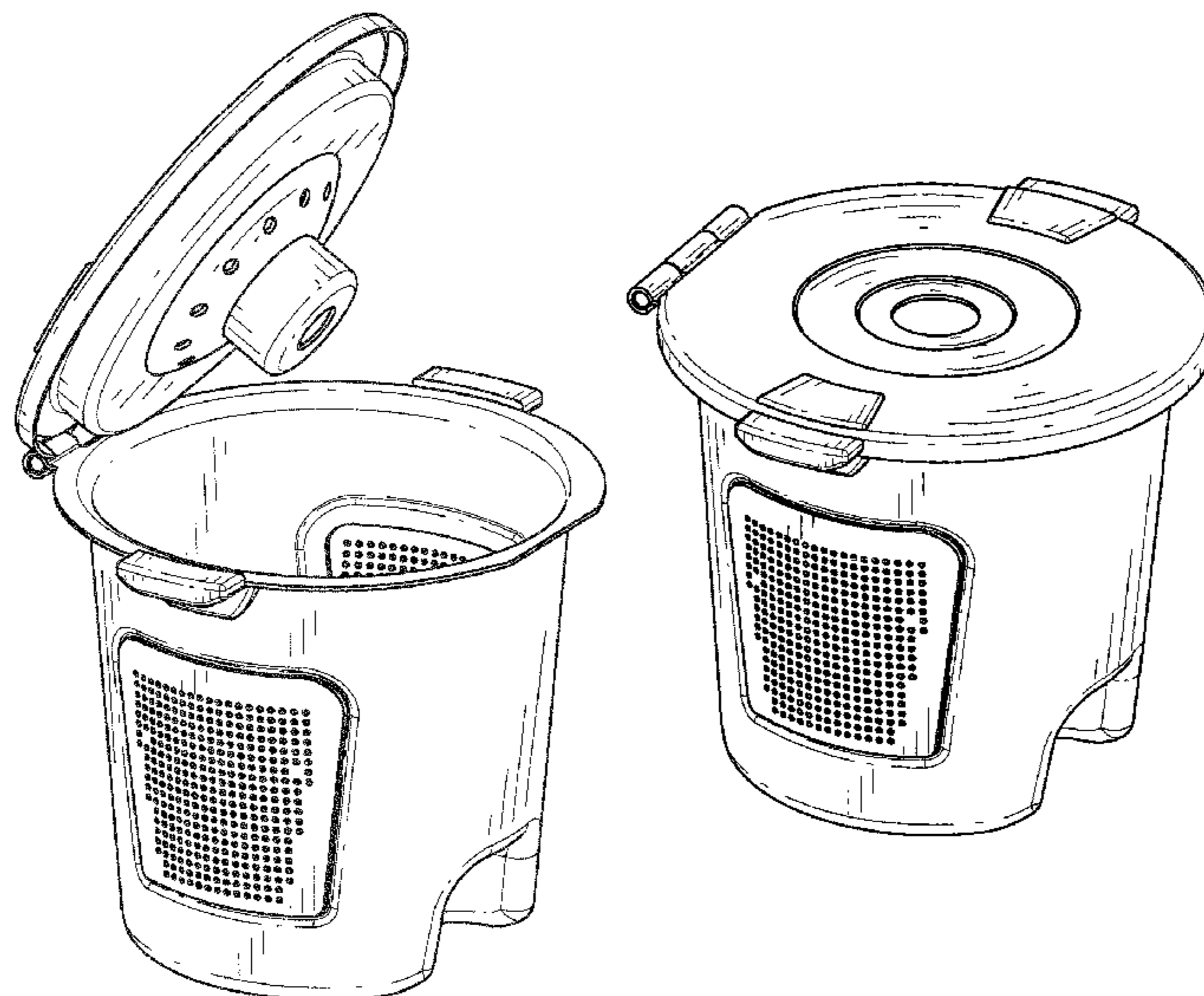
(57) **CLAIM**

The ornamental design for a coffee filter, as shown and described.

DESCRIPTION

FIG. 1 is a front, left side, top perspective view of a coffee filter with the lid open;
FIG. 2 is a top plan view of the coffee filter fully open;
FIG. 3 is a front, left side top perspective view of the coffee filter with the lid closed;
FIG. 4 is a front elevational view thereof;
FIG. 5 is a rear elevational view thereof;
FIG. 6 is a left side elevational view thereof;
FIG. 7 is a right side elevational view thereof;
FIG. 8 is a top plan view thereof; and,
FIG. 9 is a bottom plan view thereof.
The broken lines immediately adjacent to the claimed portions are boundaries, all other broken lines are environmental structures; all the broken lines form no part of the claimed design.

1 Claim, 9 Drawing Sheets



(56)

References Cited

U.S. PATENT DOCUMENTS

2012/0321769 A1* 12/2012 Otto A47J 31/0626
426/433
2019/0000262 A1* 1/2019 Vu A47J 31/0689
2020/0102144 A1* 4/2020 Vu A47J 31/0689

* cited by examiner

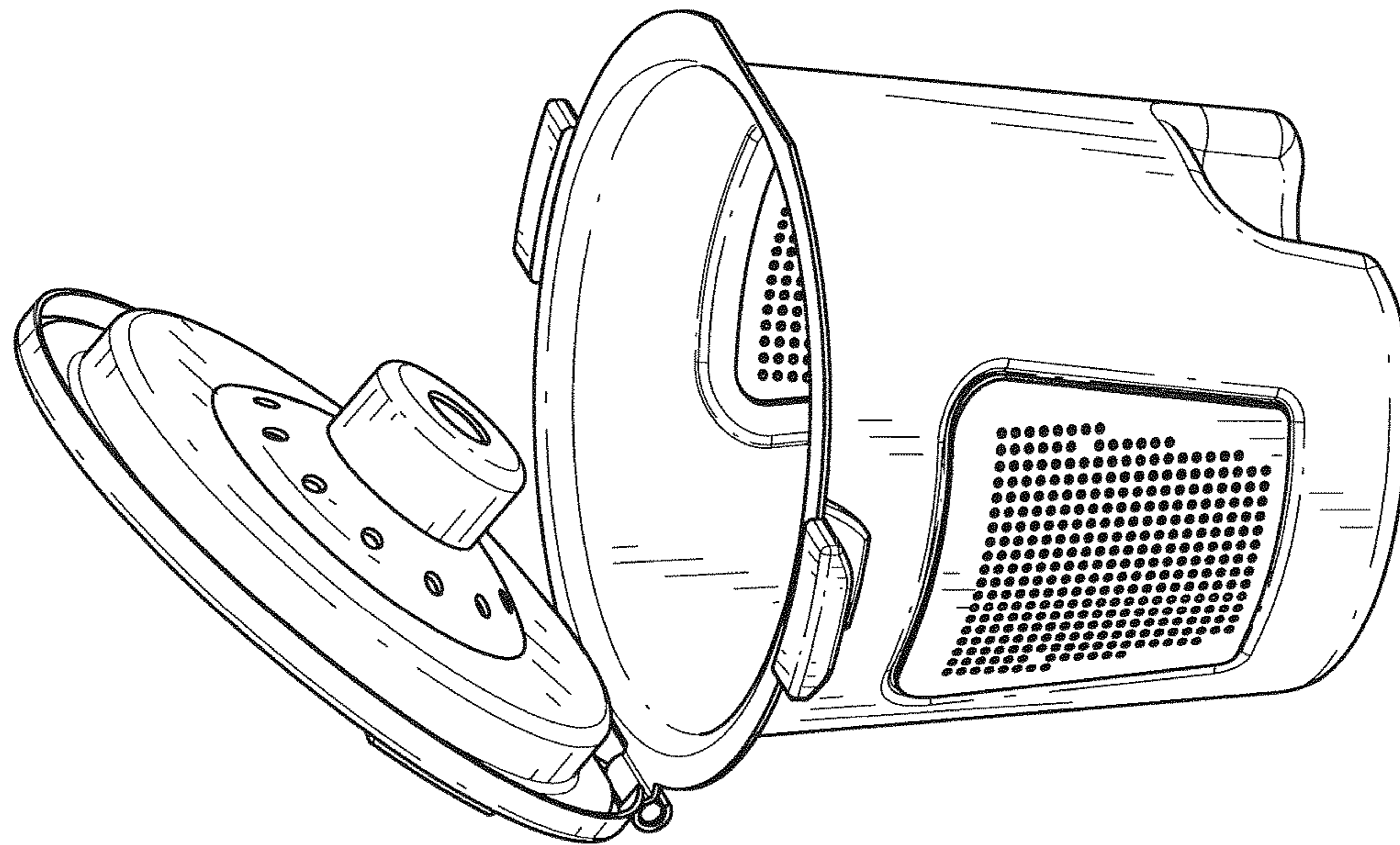


FIG. 1

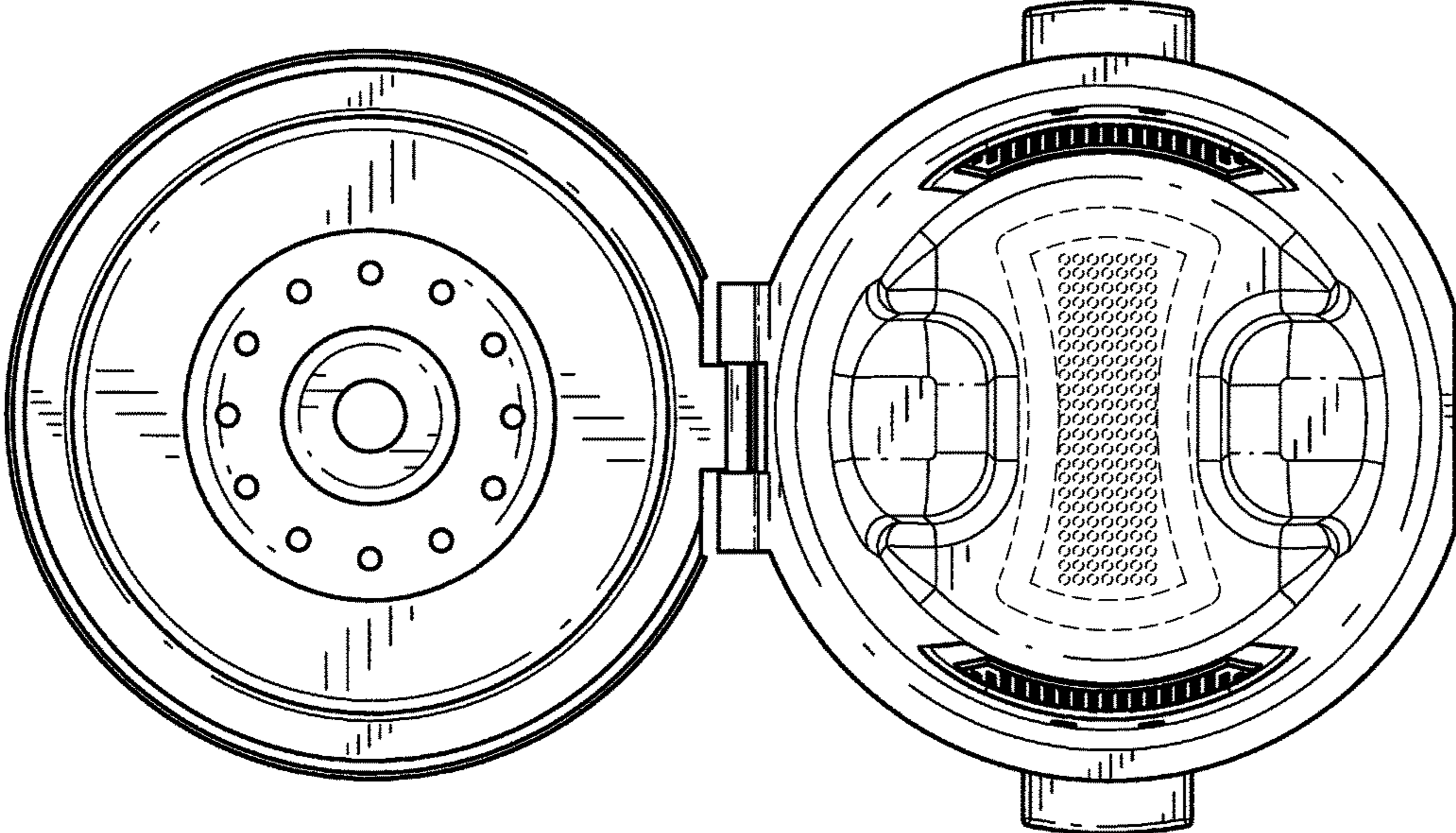


FIG. 2

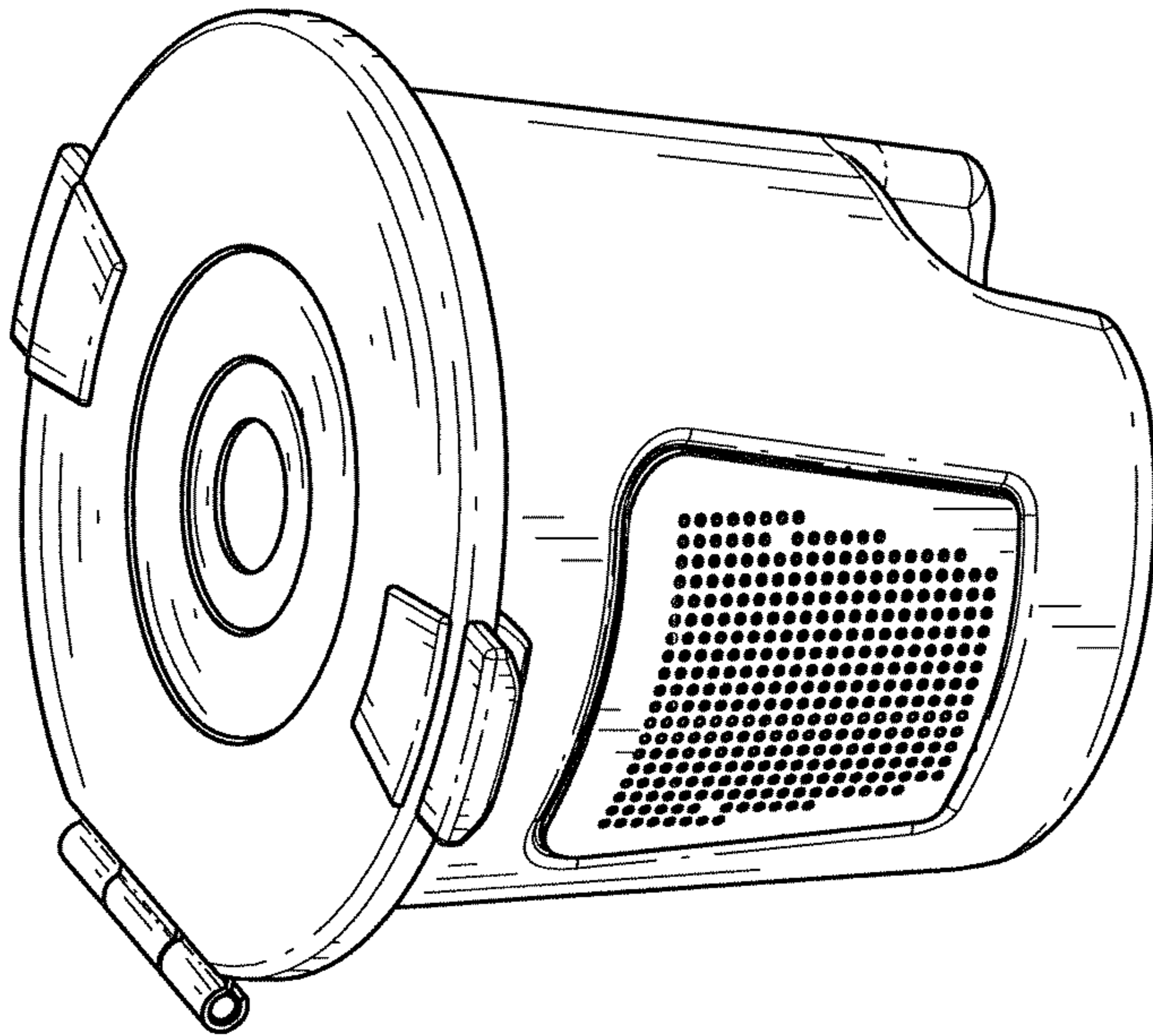


FIG. 3

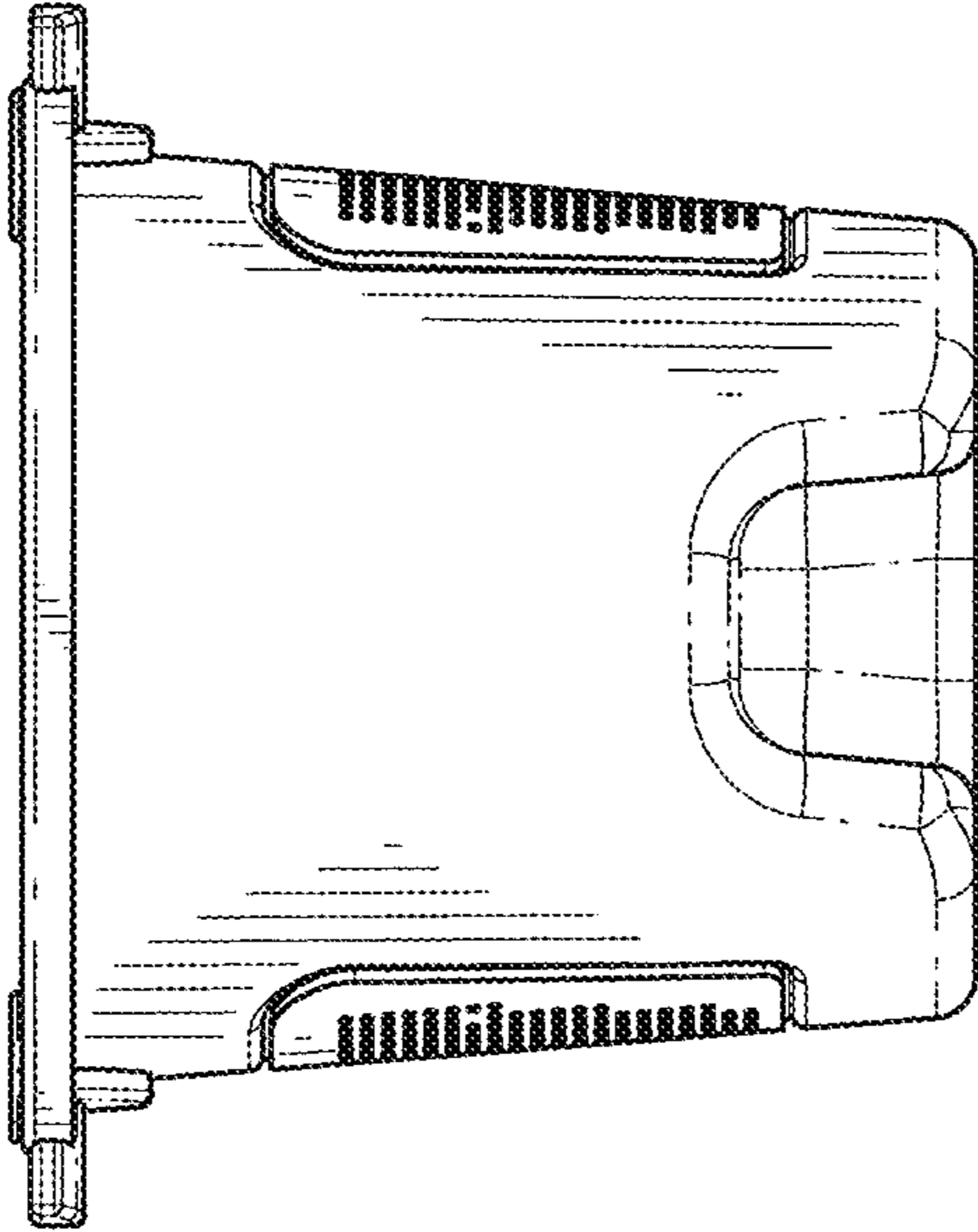


FIG. 4

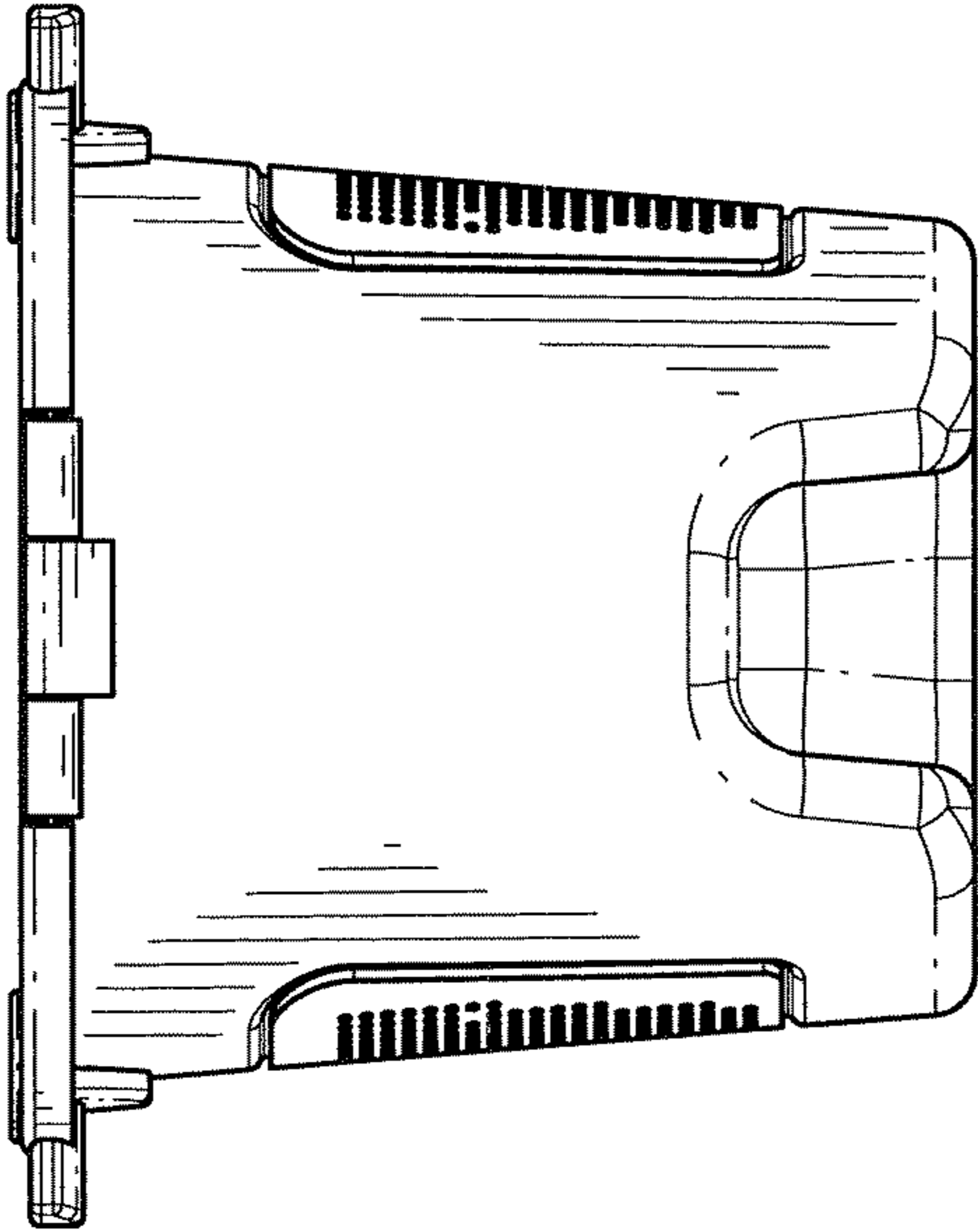


FIG. 5

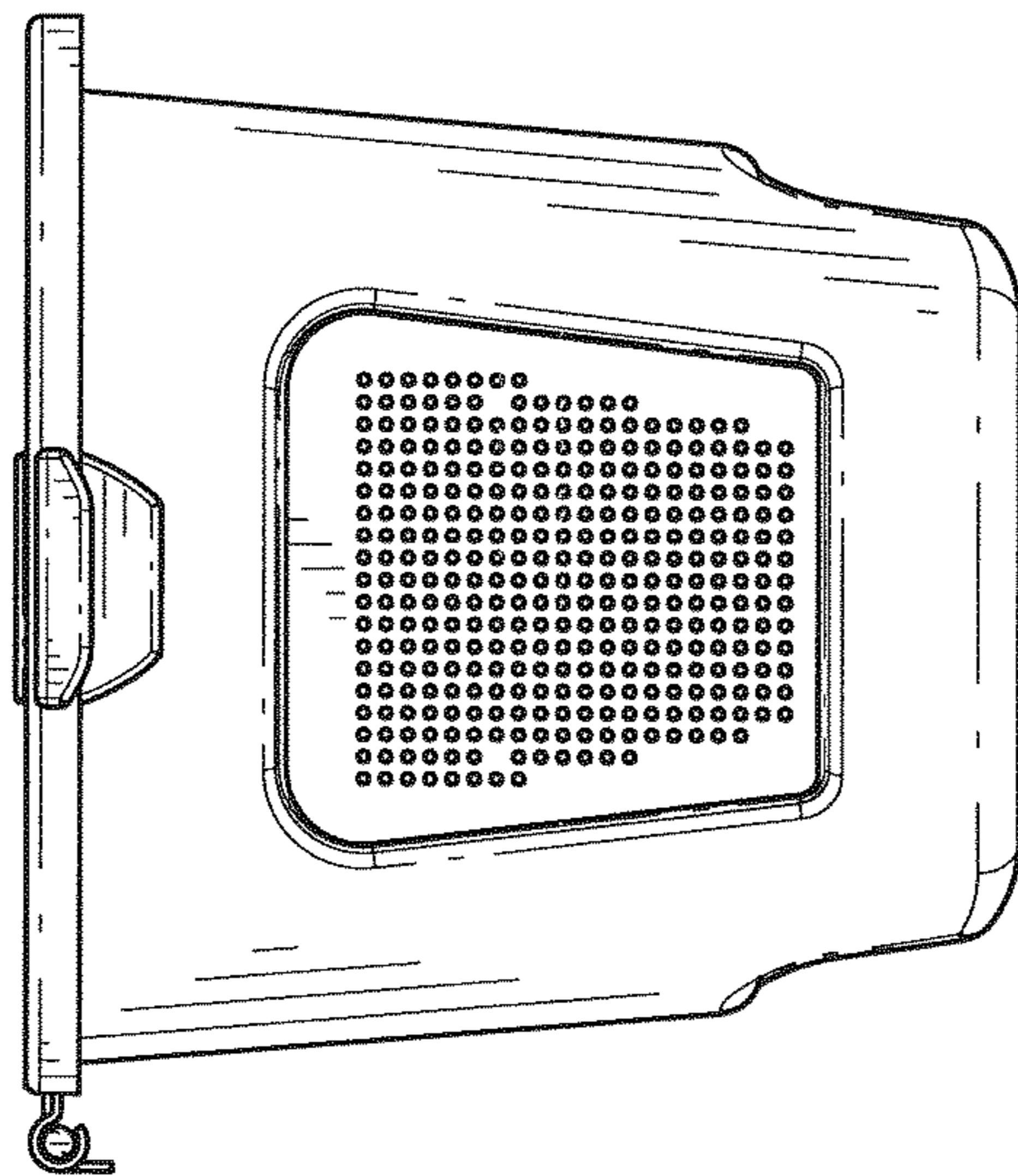


FIG. 6

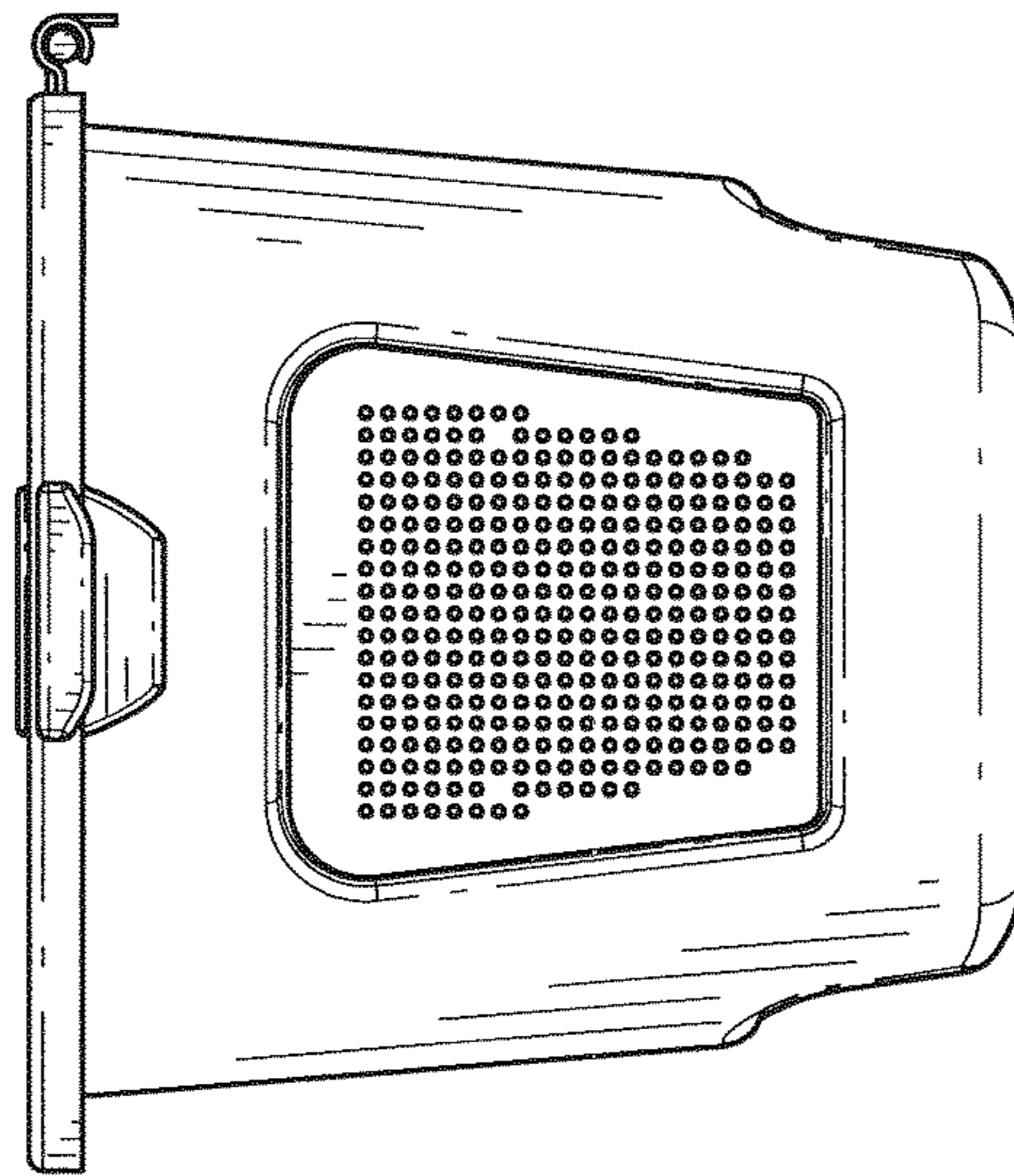


FIG. 7

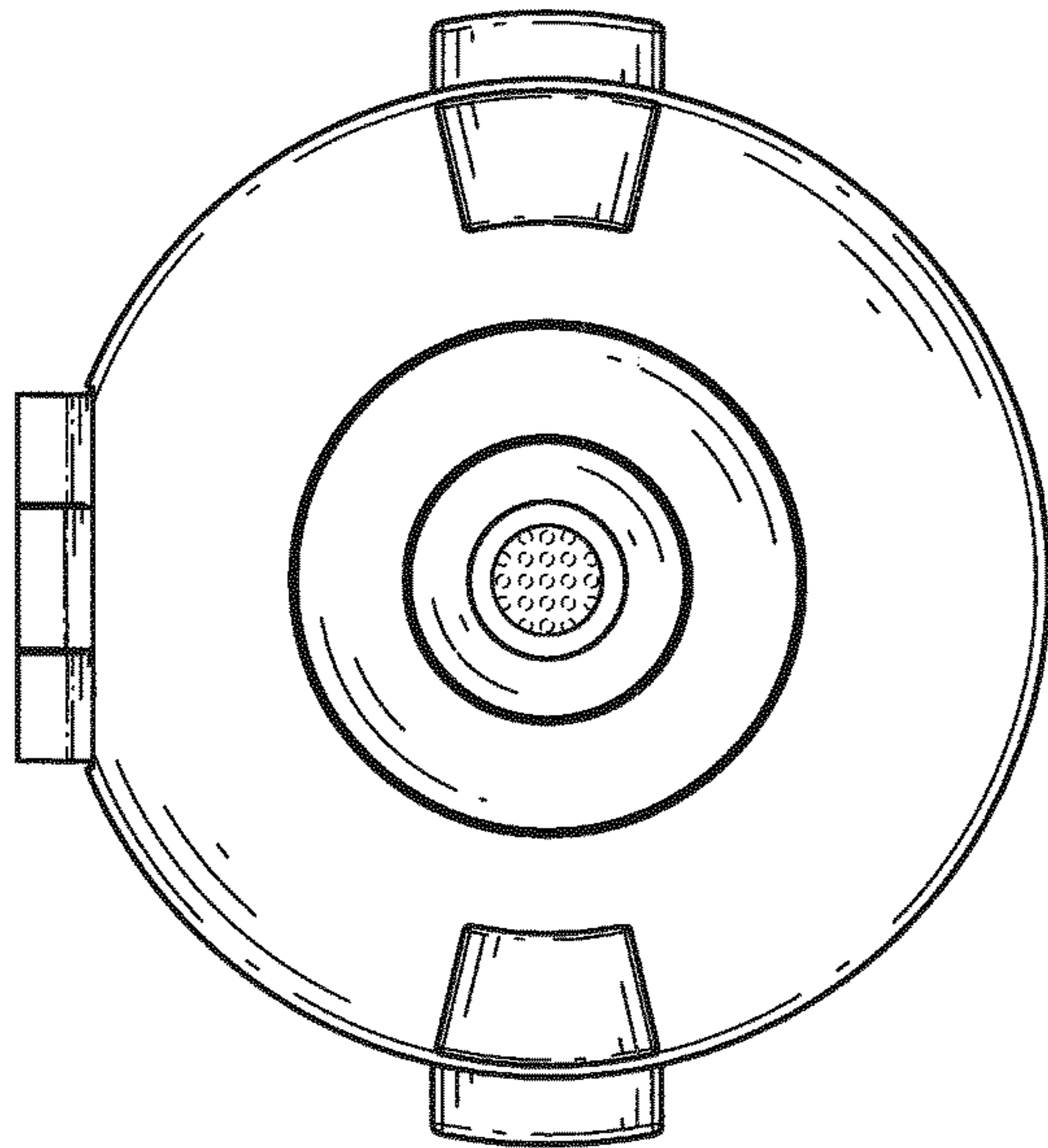


FIG. 8

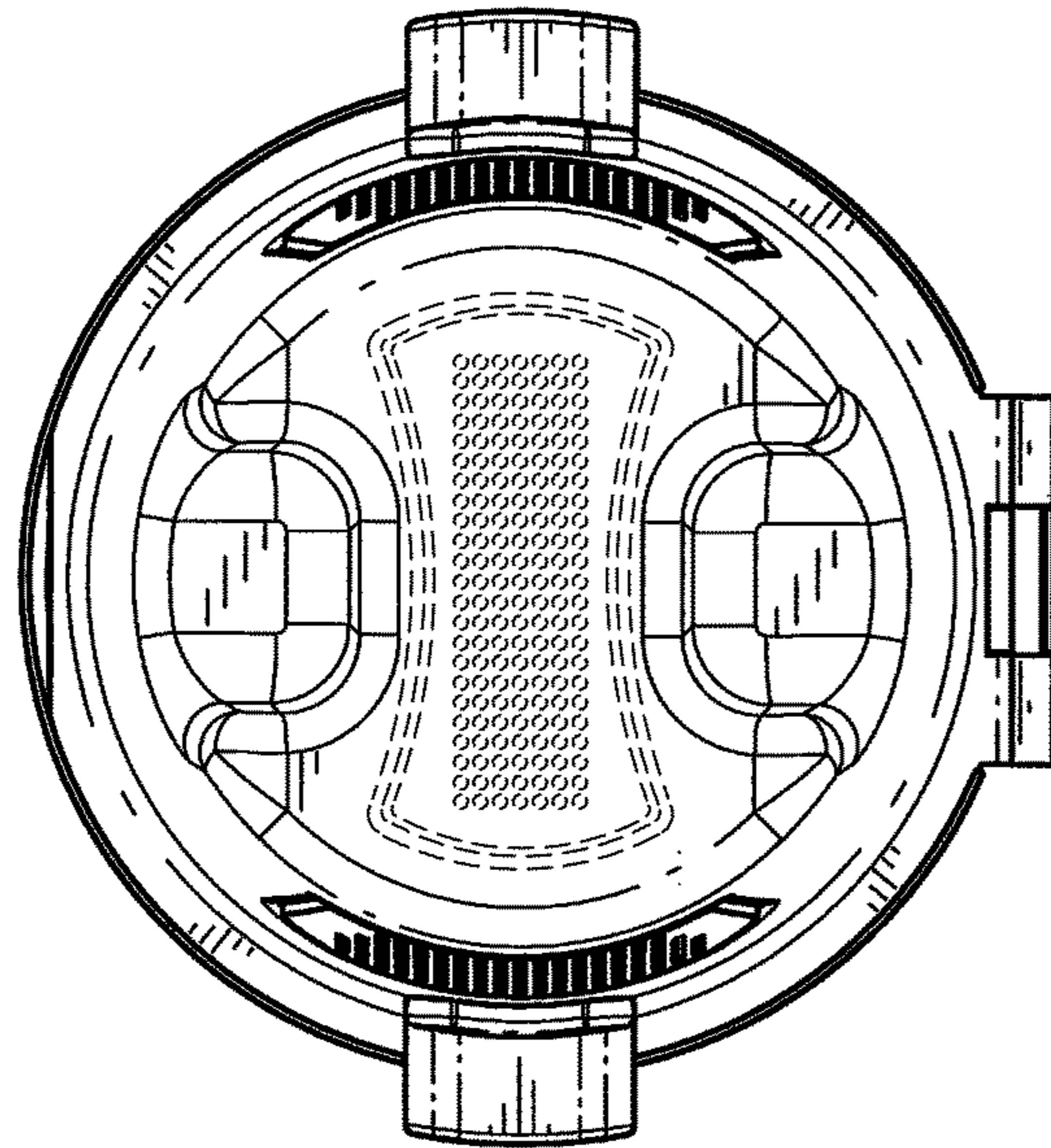


FIG. 9