



US00D910370S

(12) **United States Design Patent**  
**Chu et al.**

(10) **Patent No.:** **US D910,370 S**

(45) **Date of Patent:** **\*\* Feb. 16, 2021**

(54) **DRINKING LID BOTTOM**

(71) Applicants: **Wesley Chu**, North Point (HK); **Angus Yiu**, New Territories (HK)

(72) Inventors: **Wesley Chu**, North Point (HK); **Angus Yiu**, New Territories (HK)

(\*\*) Term: **15 Years**

(21) Appl. No.: **29/682,915**

(22) Filed: **Mar. 8, 2019**

(51) **LOC (13) Cl.** ..... **07-99**

(52) **U.S. Cl.**

USPC ..... **D7/396.2**; D7/392.1; D9/447

(58) **Field of Classification Search**

USPC ..... D9/434-436, 440, 443, 445, 447-450,  
D9/454, 499; D7/392.1, 396.2

CPC ..... B65D 43/02; B65D 43/14; B65D 43/26;  
B65D 47/06; B65D 47/32; B65D 51/18

See application file for complete search history.

(56) **References Cited**

**U.S. PATENT DOCUMENTS**

D588,002 S *	3/2009	D'Amato	.....	D9/447
9,550,611 B2 *	1/2017	Hodge	.....	B65D 43/0212
D786,071 S *	5/2017	Miller	.....	D9/435
D807,171 S *	1/2018	Miller	.....	D9/435
D835,264 S *	12/2018	Mozzicato	.....	D24/121
D835,778 S *	12/2018	Mozzicato	.....	D24/121

D864,718 S *	10/2019	Gibney	.....	D9/447
D867,134 S *	11/2019	Savenok	.....	D9/447
D878,917 S *	3/2020	Savenok	.....	D9/447
2019/0084731 A1 *	3/2019	Chou	.....	B65D 47/0842

**OTHER PUBLICATIONS**

Wire Cutter. The Best Tumbler by Aaron Lebowitz. Jul. 25, 2019.  
<https://thewirecutter.com/reviews/best-tumbler/> (Year: 2019).\*

\* cited by examiner

*Primary Examiner* — Darcey E Gottschalk

(74) *Attorney, Agent, or Firm* — Barlow, Josephs & Holmes, Ltd.

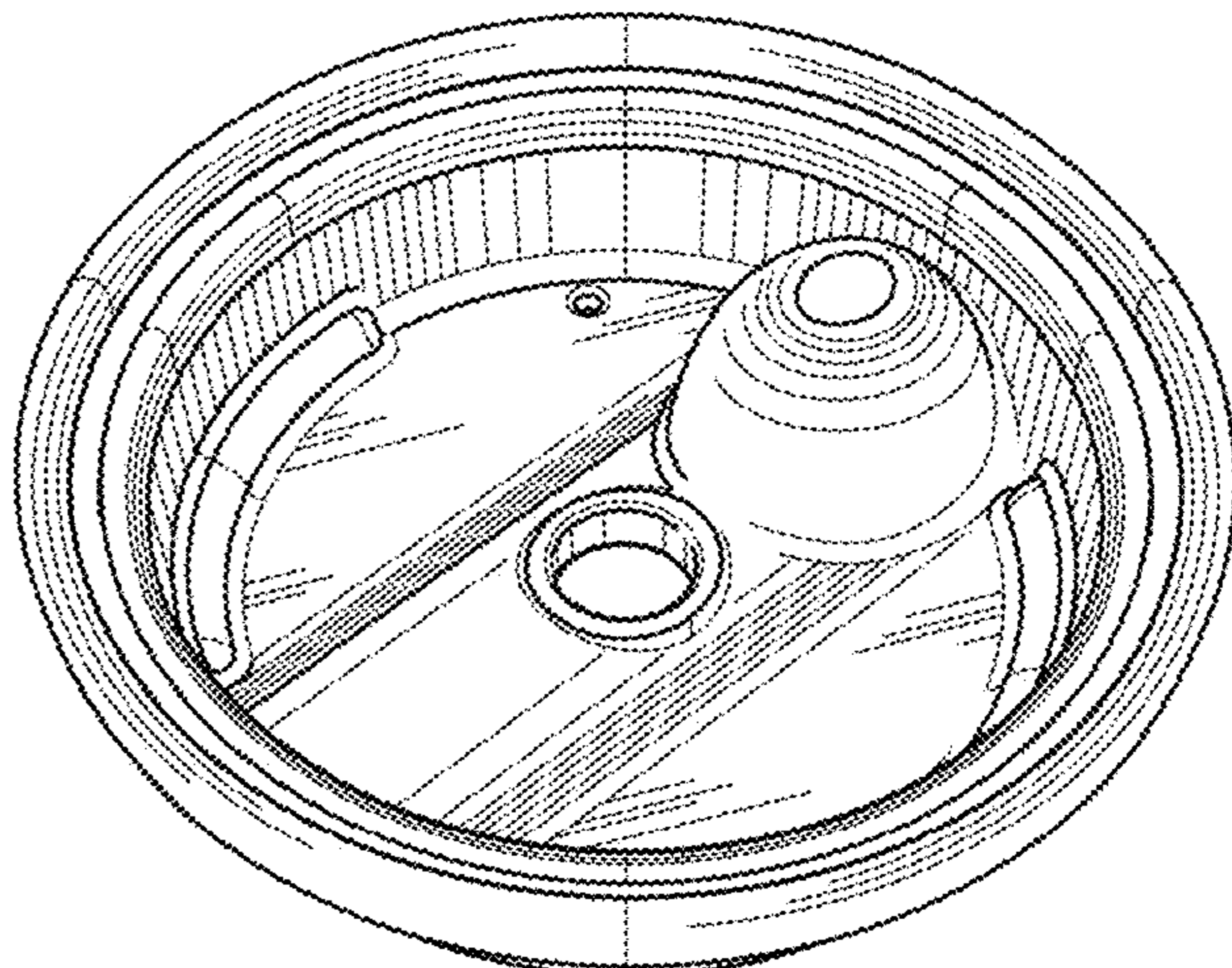
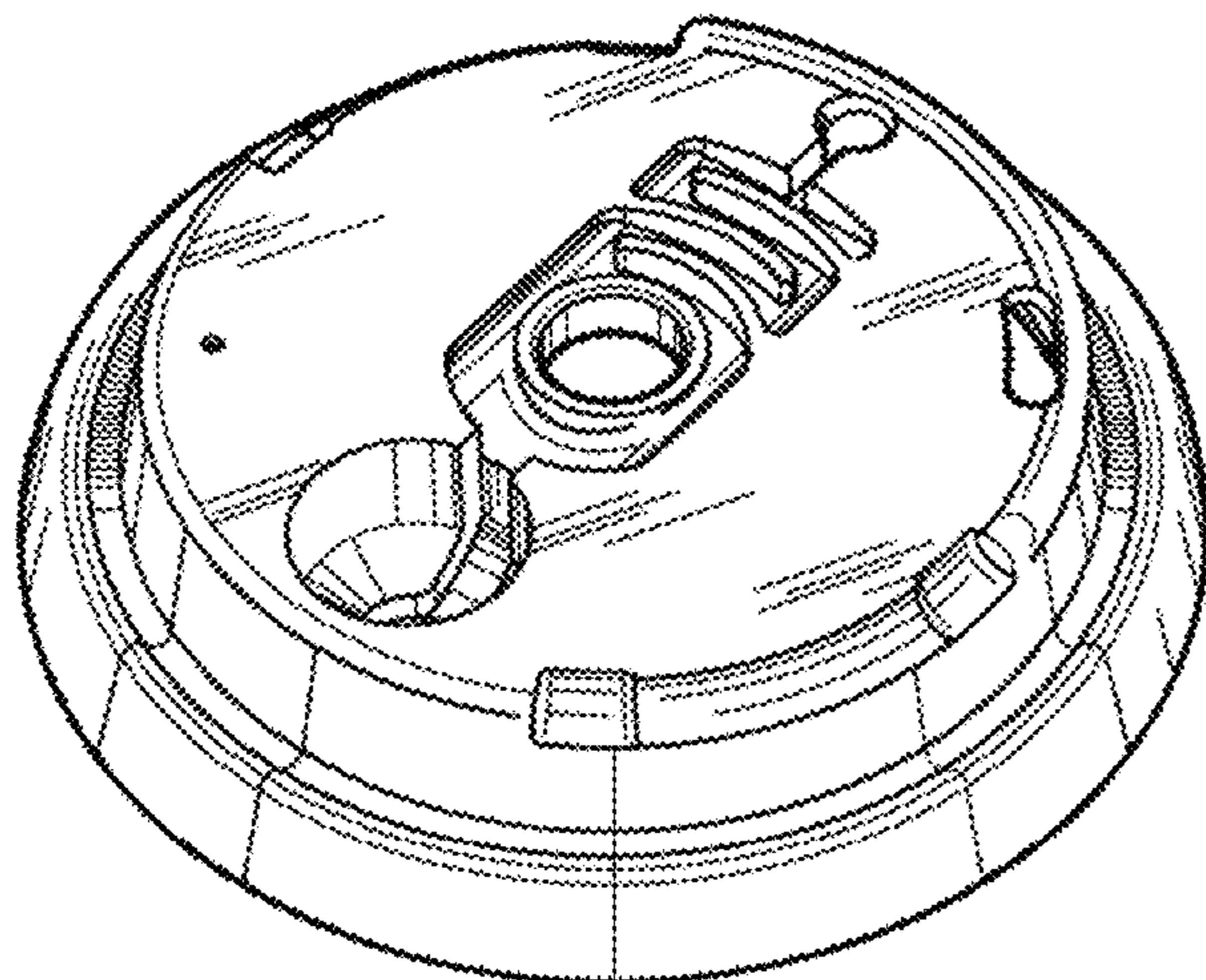
(57) **CLAIM**

The ornamental design for a drinking lid bottom, as shown and described.

**DESCRIPTION**

FIG. 1 is a top perspective view of the drinking lid bottom; FIG. 2 is a bottom perspective view thereof; FIG. 3 is a top view thereof; FIG. 4 is a bottom view thereof; FIG. 5 is a front view thereof; FIG. 6 is a rear view thereof; FIG. 7 is a left view thereof; and, FIG. 8 is a right view thereof.

**1 Claim, 3 Drawing Sheets**



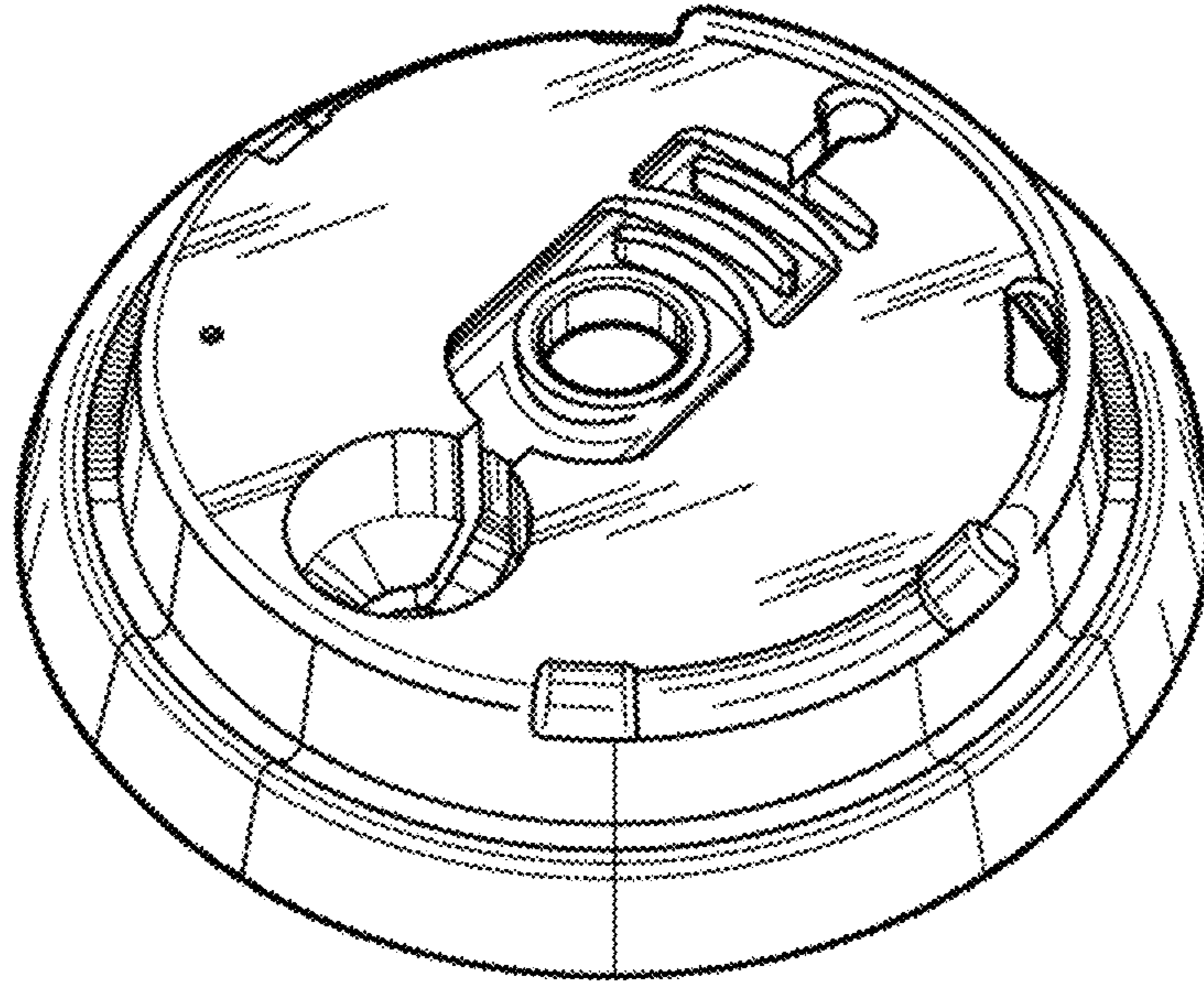


FIG. 1

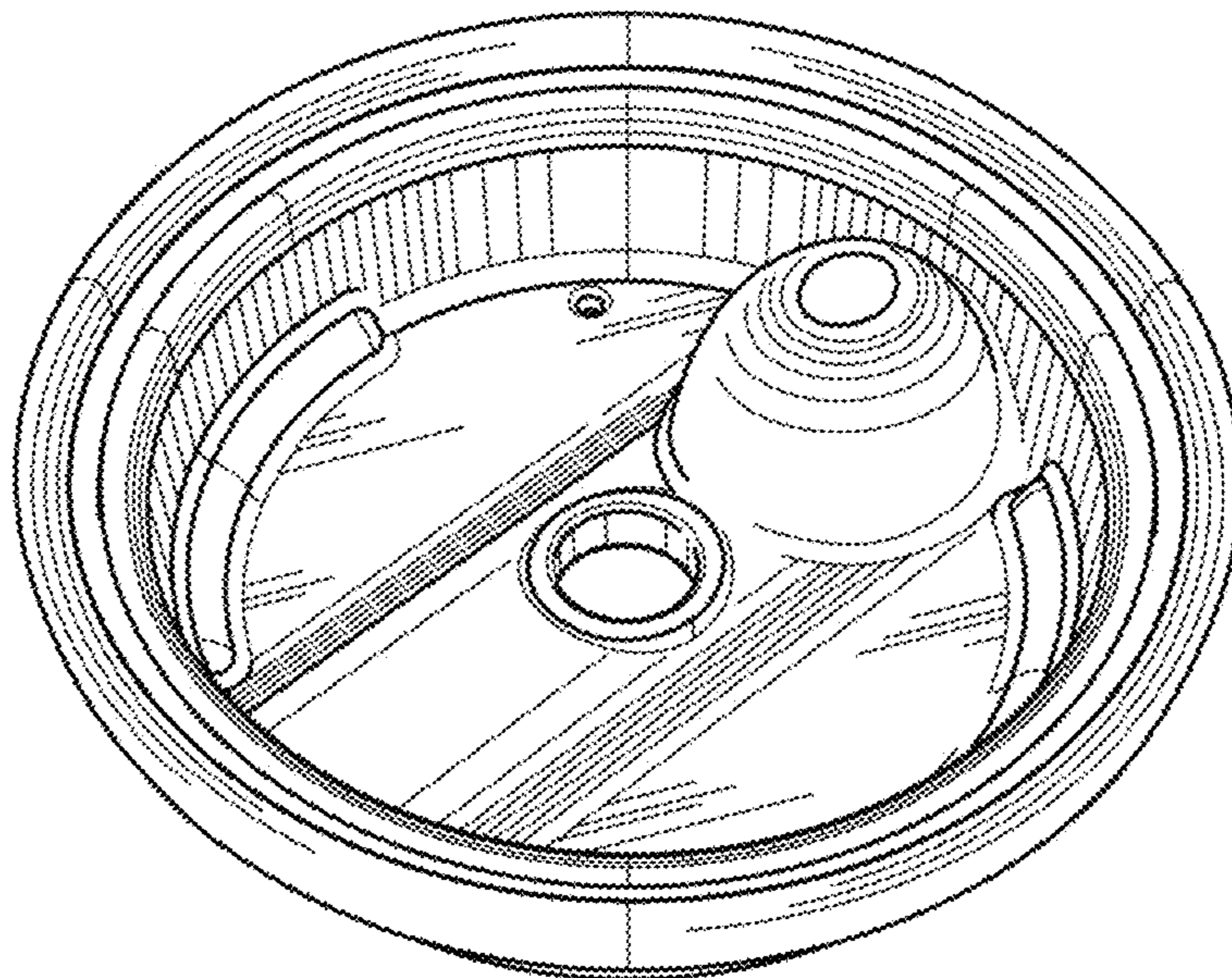


FIG. 2



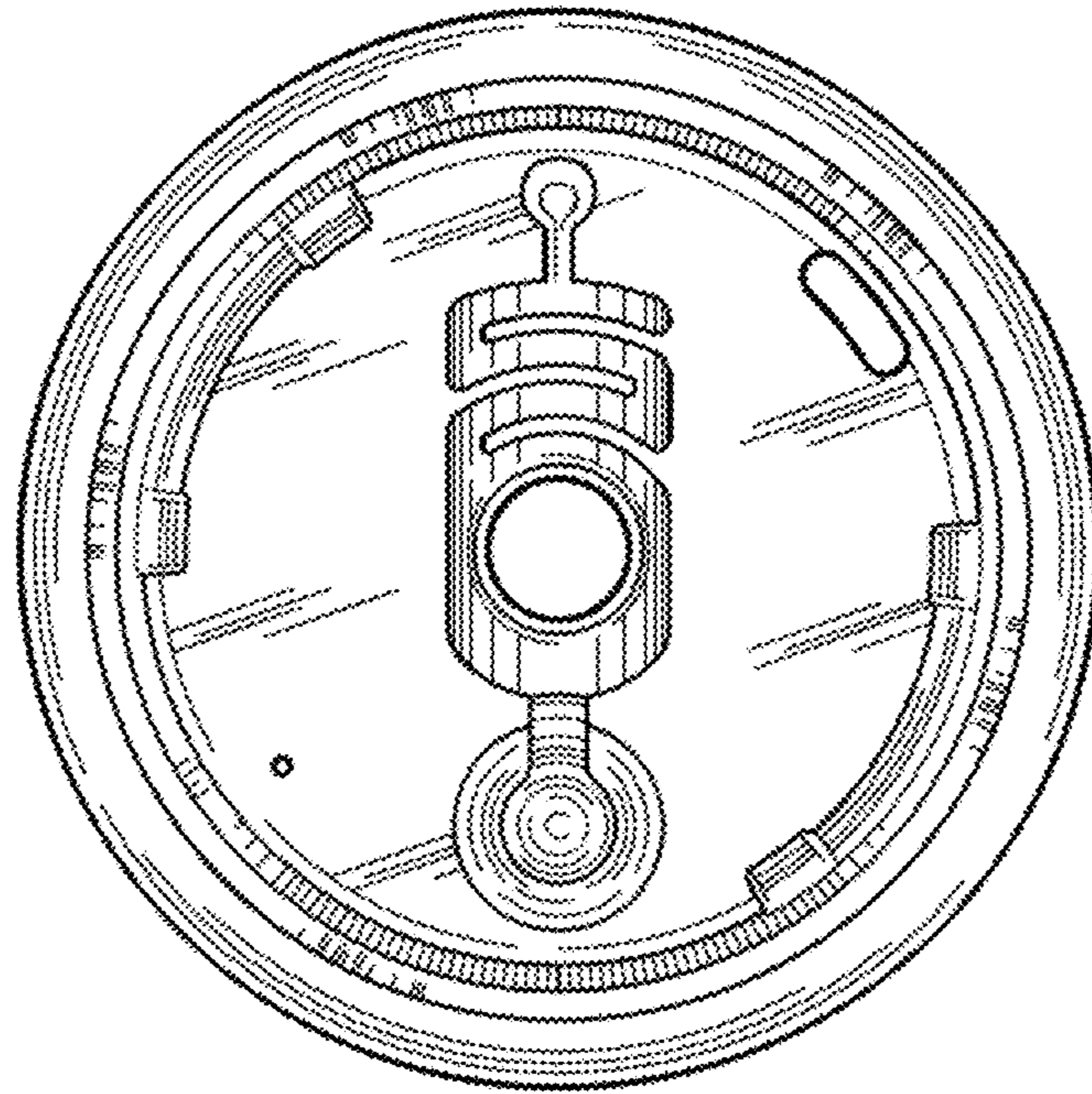


FIG. 3

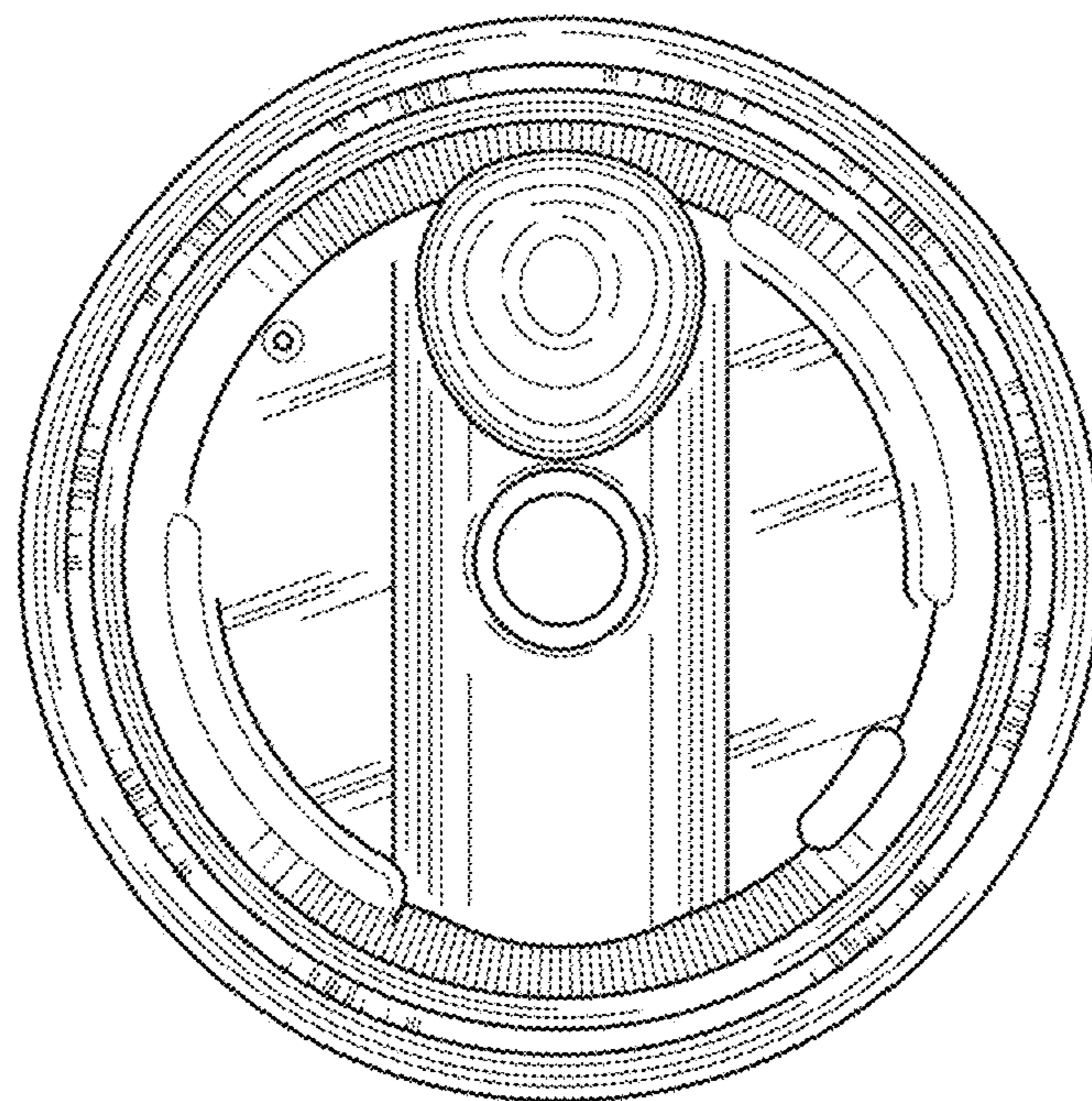


FIG. 4

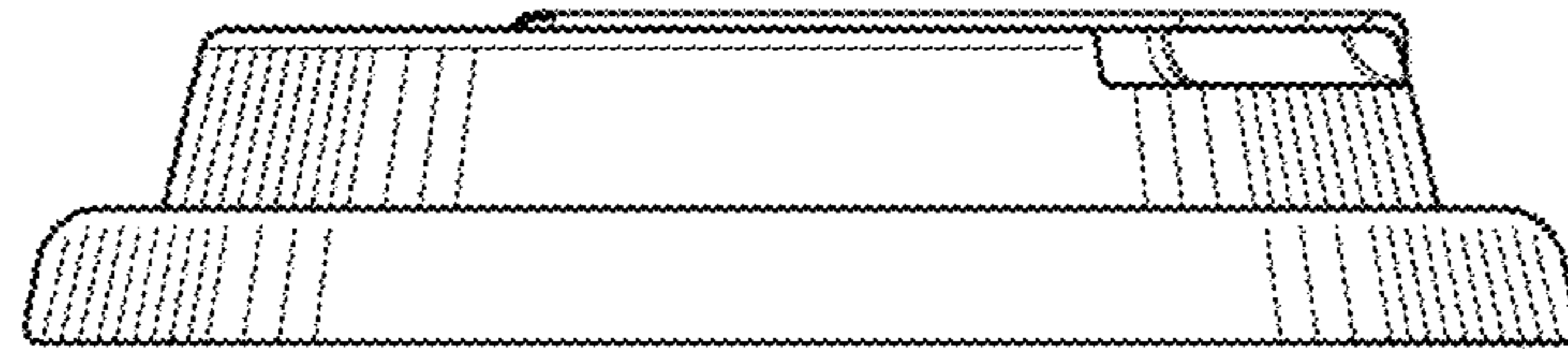


FIG. 5

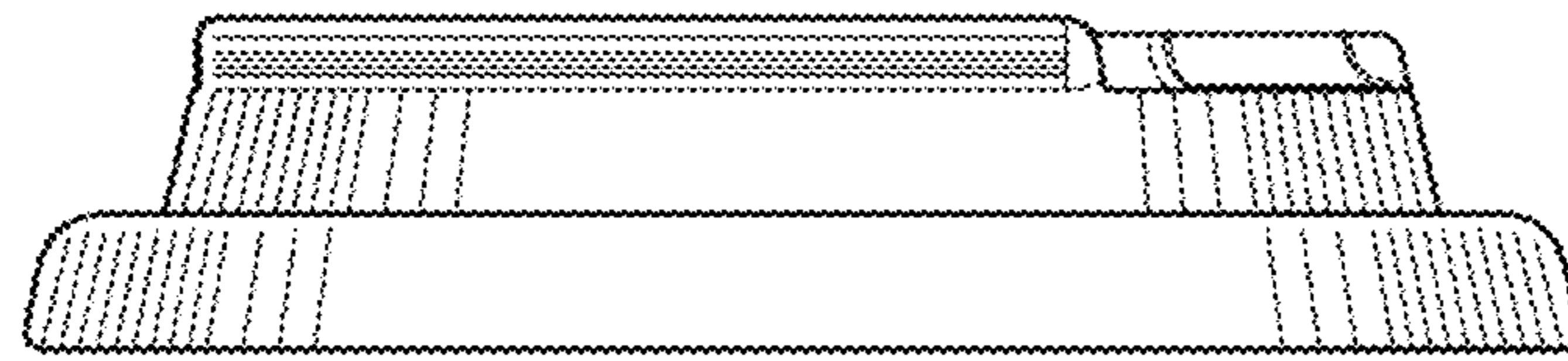


FIG. 6

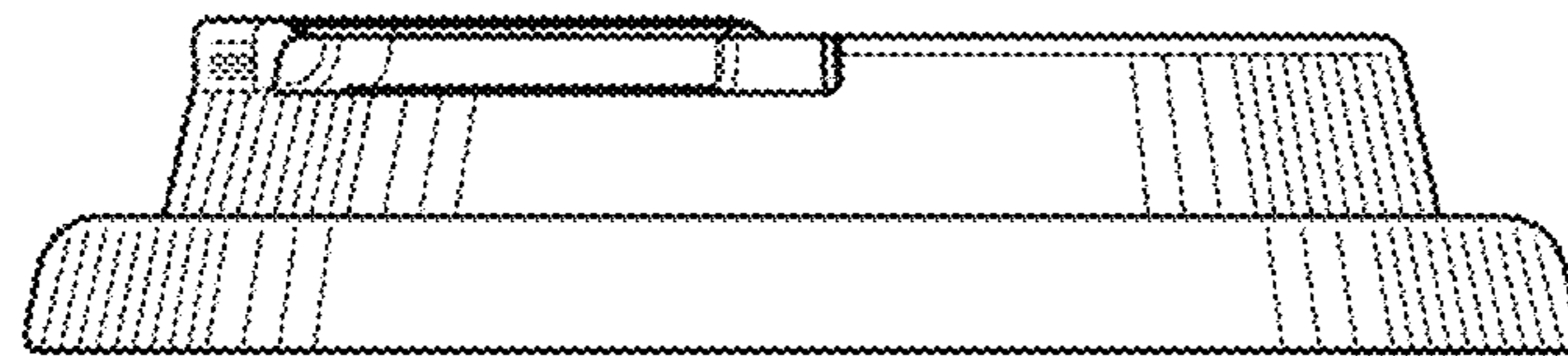


FIG. 7

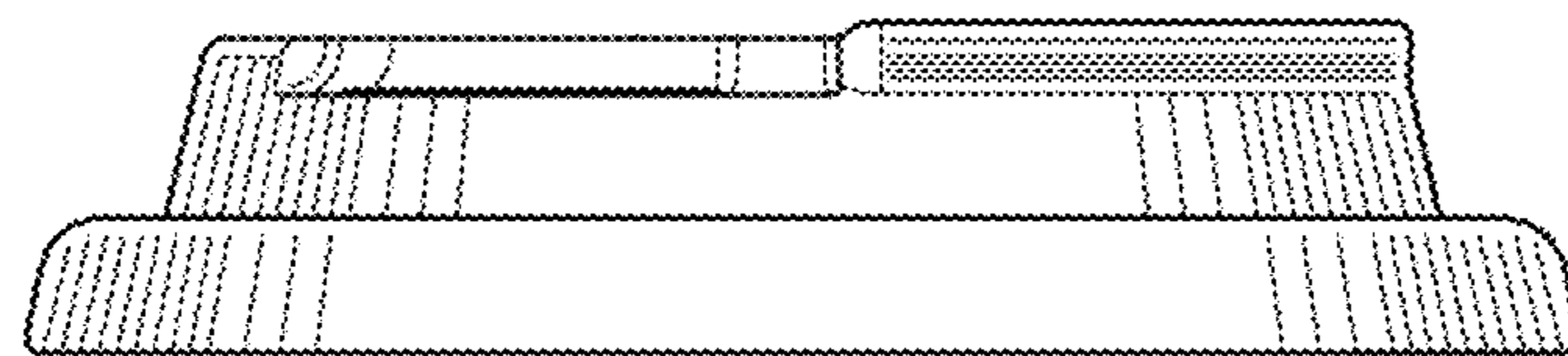


FIG. 8