



US00D910367S

(12) **United States Design Patent**
Tsai

(10) **Patent No.:** **US D910,367 S**

(45) **Date of Patent:** **** Feb. 16, 2021**

- (54) **POT**
- (71) Applicant: **KE M.O. HOUSE CO., LTD.**,
Shenzhen (CN)
- (72) Inventor: **Mo-Tsan Tsai**, Shenzhen (CN)
- (73) Assignee: **KE M.O. HOUSE CO., LTD.**,
Shenzhen (CN)
- (**) Term: **15 Years**
- (21) Appl. No.: **29/718,570**
- (22) Filed: **Dec. 26, 2019**
- (51) **LOC (13) Cl.** **07-02**
- (52) **U.S. Cl.**
USPC **D7/361**
- (58) **Field of Classification Search**
USPC D7/323, 338, 352, 354, 355, 356, 357,
D7/358, 359, 360, 361, 362, 363, 364,
D7/365, 366, 367, 402, 407, 409
CPC .. A21B 3/00; A21B 3/13; A21B 3/131; A21B
3/132; A21B 3/135; A21B 3/136; A21B
3/137; A21B 3/15; A21B 5/00; A21B
5/02; A21B 5/04; A47J 27/00; A47J
36/00; A47J 36/02; A47J 36/06; A47J
36/16; A47J 36/24; A47J 36/022; A47J
36/027; A47J 37/00; A47J 37/01; A47J
37/04; A47J 37/06; A47J 37/10; A47J
37/07; A47J 37/0781; A47J 43/20
See application file for complete search history.

(56) **References Cited**

U.S. PATENT DOCUMENTS

- D377,438 S * 1/1997 Brunianyn D7/361
- 5,628,426 A * 5/1997 Doyle A47J 27/022
220/608
- D431,151 S * 9/2000 Brunianyn D7/354
- D525,483 S * 7/2006 Schutts D7/407
- D559,032 S * 1/2008 Kellermann D7/354

- D589,741 S * 4/2009 Gerlach D7/361
- D598,702 S * 8/2009 Hoekstra D7/361
- D651,844 S * 1/2012 Cloutier D7/361
- D662,775 S * 7/2012 Moulin D7/402
- D682,012 S * 5/2013 Lin D7/359
- D682,013 S * 5/2013 Huang D7/361
- D693,627 S * 11/2013 Moon D7/361
- D734,091 S * 7/2015 Moon D7/361
- D763,618 S * 8/2016 Feng D7/361
- D777,506 S * 1/2017 Mirchandani D7/361
- D783,338 S * 4/2017 Mirchandani D7/361
- D784,754 S * 4/2017 Li D7/354
- D797,491 S * 9/2017 Mirchandani D7/354
- D797,494 S * 9/2017 Mirchandani D7/361

(Continued)

OTHER PUBLICATIONS

Black Cube 8 in. Stainless Steel Nonstick Frying Pan, announced Oct. 25, 2017 [online], retrieved Oct. 20, 2020, retrieved from internet, <https://www.homedepot.com/p/Black-Cube-Black-Cube-8-in-Stainless-Steel-Nonstick-Frying-Pan-BC120/301412293>.*

(Continued)

Primary Examiner — Dana K Weiland
Assistant Examiner — Messina L Smith
(74) *Attorney, Agent, or Firm* — Hauptman Ham, LLP

(57) **CLAIM**

The ornamental design for a pot, as shown and described.

DESCRIPTION

FIG. 1 is a front perspective view of a pot showing my new design.

FIG. 2 is a front view thereof.

FIG. 3 is a rear view thereof.

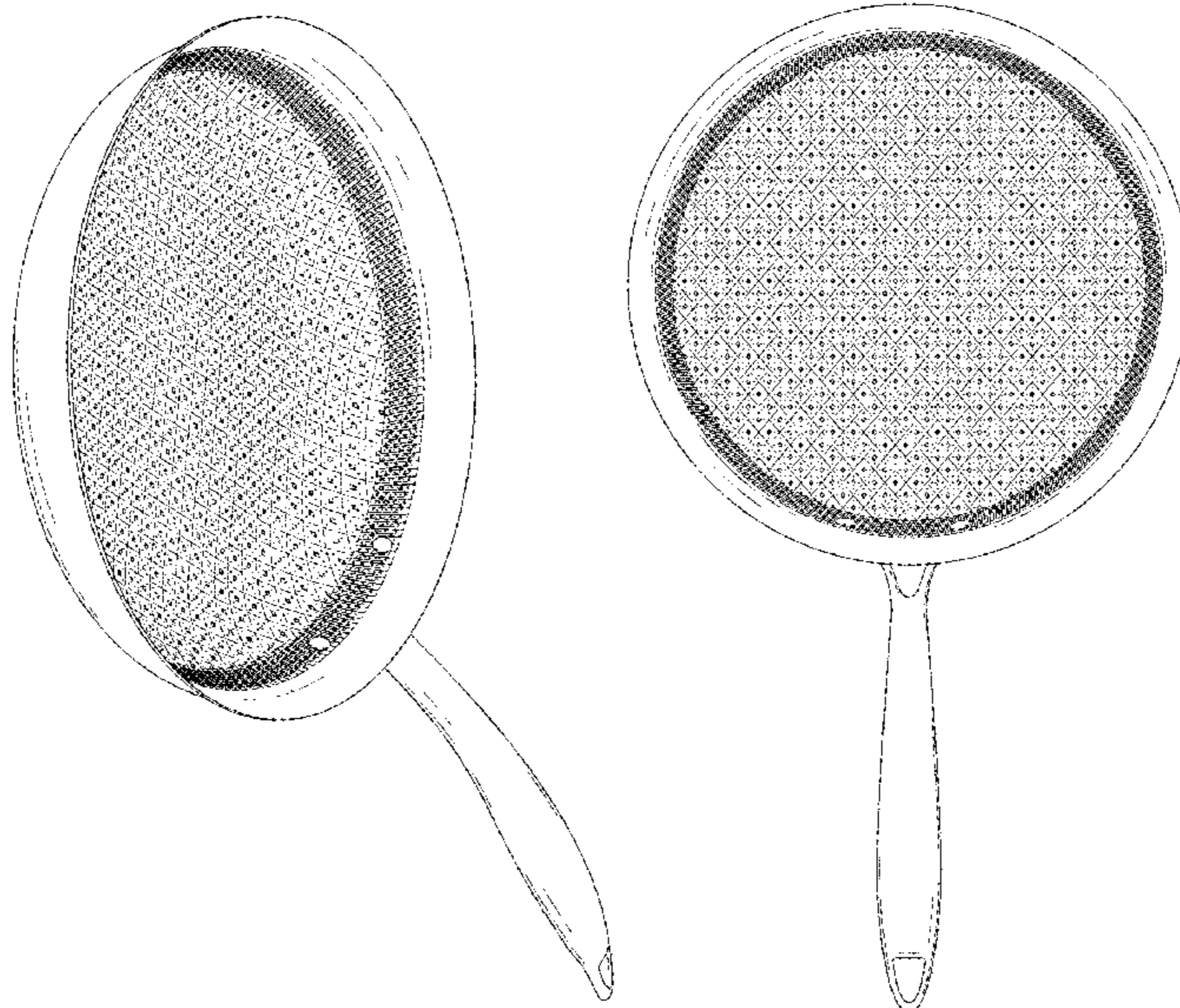
FIG. 4 is a left side view thereof.

FIG. 5 is a right side view thereof.

FIG. 6 is a top side view thereof; and,

FIG. 7 is a bottom side view thereof.

1 Claim, 6 Drawing Sheets



(56)

References Cited

U.S. PATENT DOCUMENTS

D802,355	S *	11/2017	Mishan	D7/359
D823,635	S *	7/2018	Gabbay	D7/361
D825,255	S *	8/2018	Mirchandani	D7/361
D834,875	S *	12/2018	Feng	D7/361
D876,152	S *	2/2020	Levy	D7/354
D880,222	S *	4/2020	Hollinger	D7/361
D883,731	S *	5/2020	Tsai	D7/359
D894,666	S *	9/2020	Tsai	D7/359
D894,667	S *	9/2020	Tsai	D7/359
2012/0305568	A1 *	12/2012	Lee	A47J 36/025 220/573.2
2014/0061205	A1 *	3/2014	Chiu	A47J 36/025 220/573.2
2015/0083711	A1 *	3/2015	Moon et al.	A47J 27/002 219/621
2017/0245672	A1 *	8/2017	Lee	A47J 27/002

OTHER PUBLICATIONS

MasterPan 3-Ply Stainless Steel Premium ILAG Nonstick Scratch-Resistant Frypan, announced May 2020 [online], retrieved Oct. 20, 2020, retrieved from internet, <https://www.kohls.com/product/prd-3925137/masterpan-3-ply-stainless-steel-premium-ilag-nonstick-scratch-resistant-frypan.jsp?skuid=34161201&CID=shopping15>.*

The Blackbeard: the essential nonstick nonscratch frying pan, announced Aug. 11, 2020 [online], retrieved Oct. 20, 2020, retrieved from internet, <https://www.kickstarter.com/projects/crowdcookware/the-blackbeard-the-essential-nonstick-nonscratch-f>.*

* cited by examiner

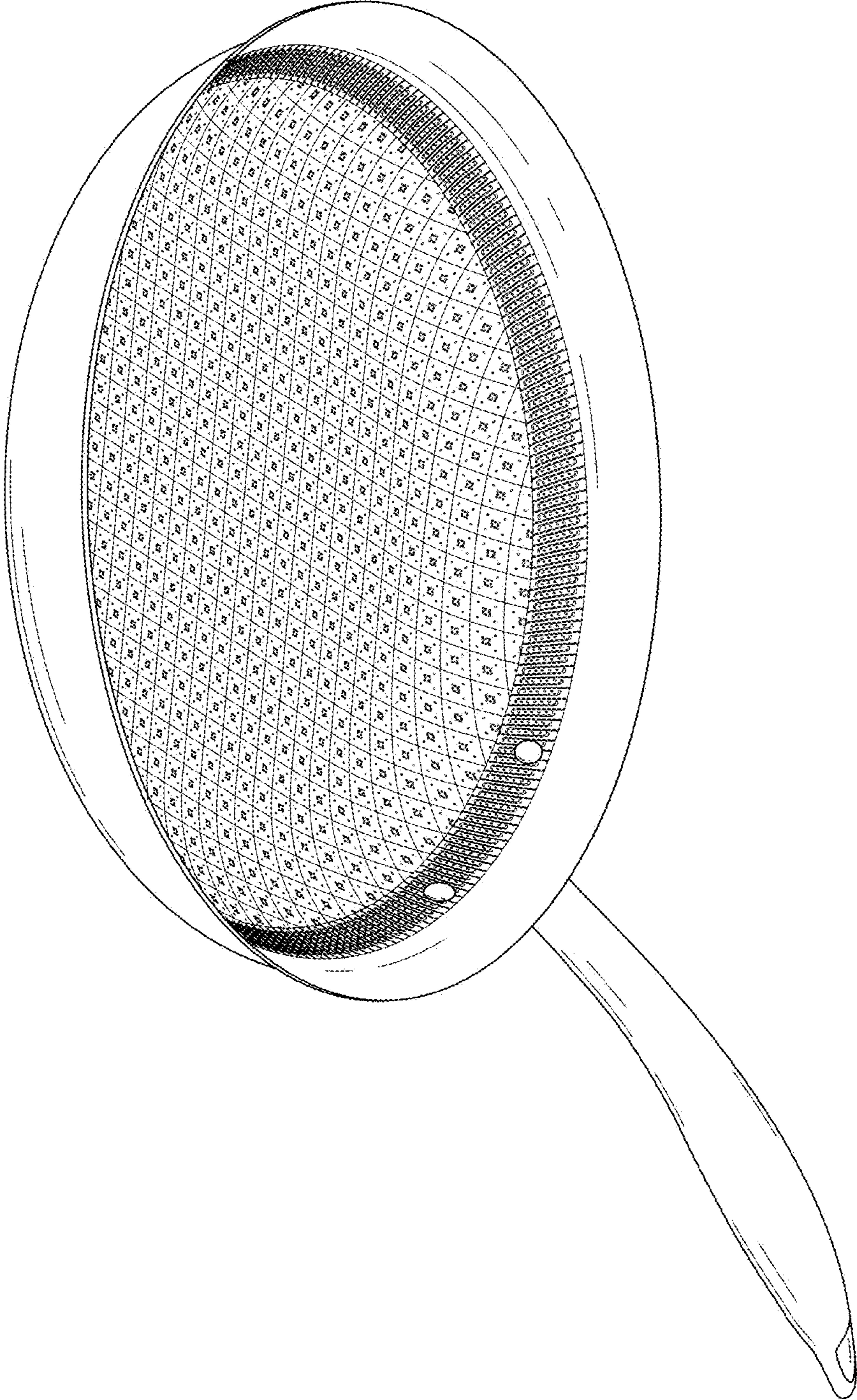


FIG. 1

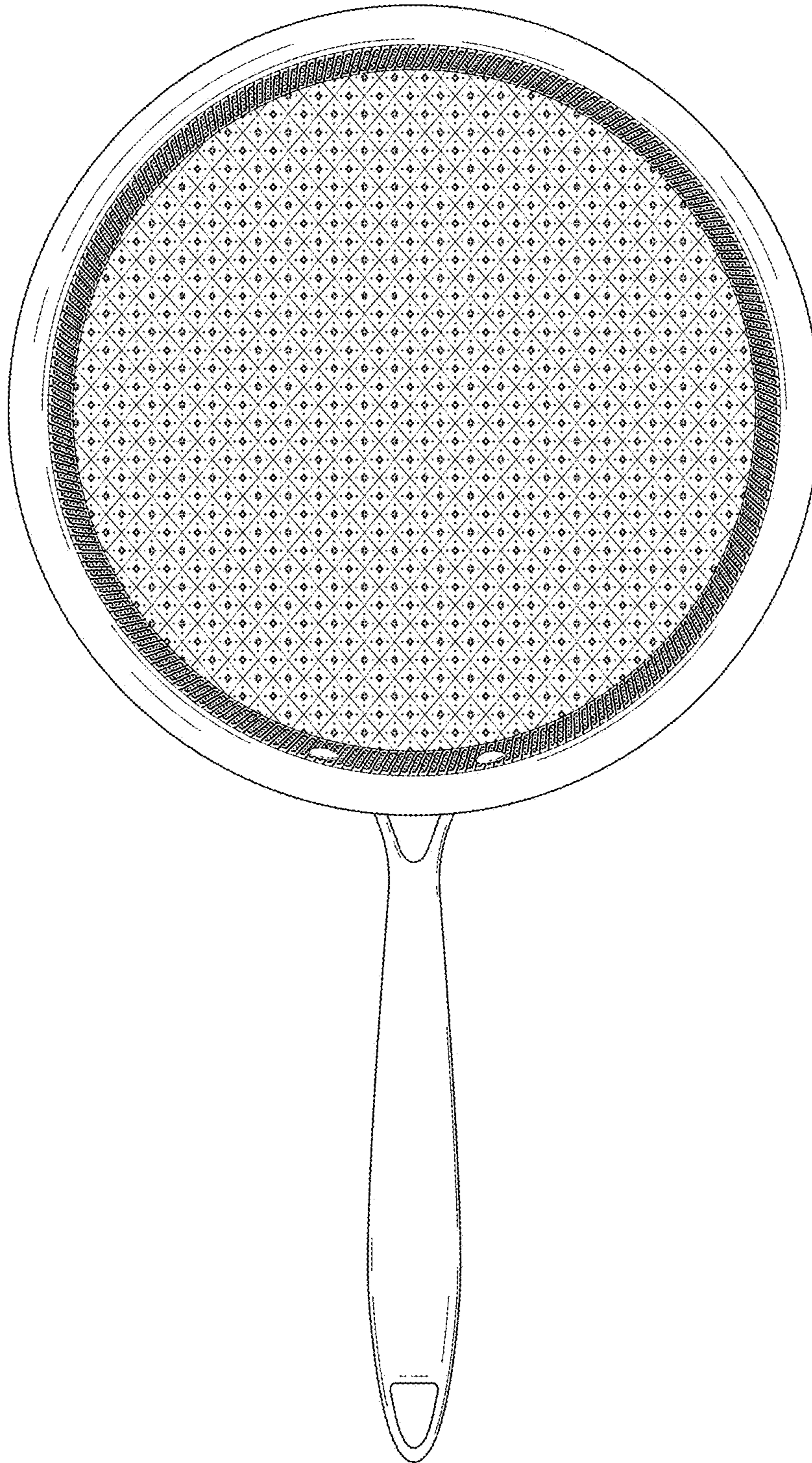


FIG. 2

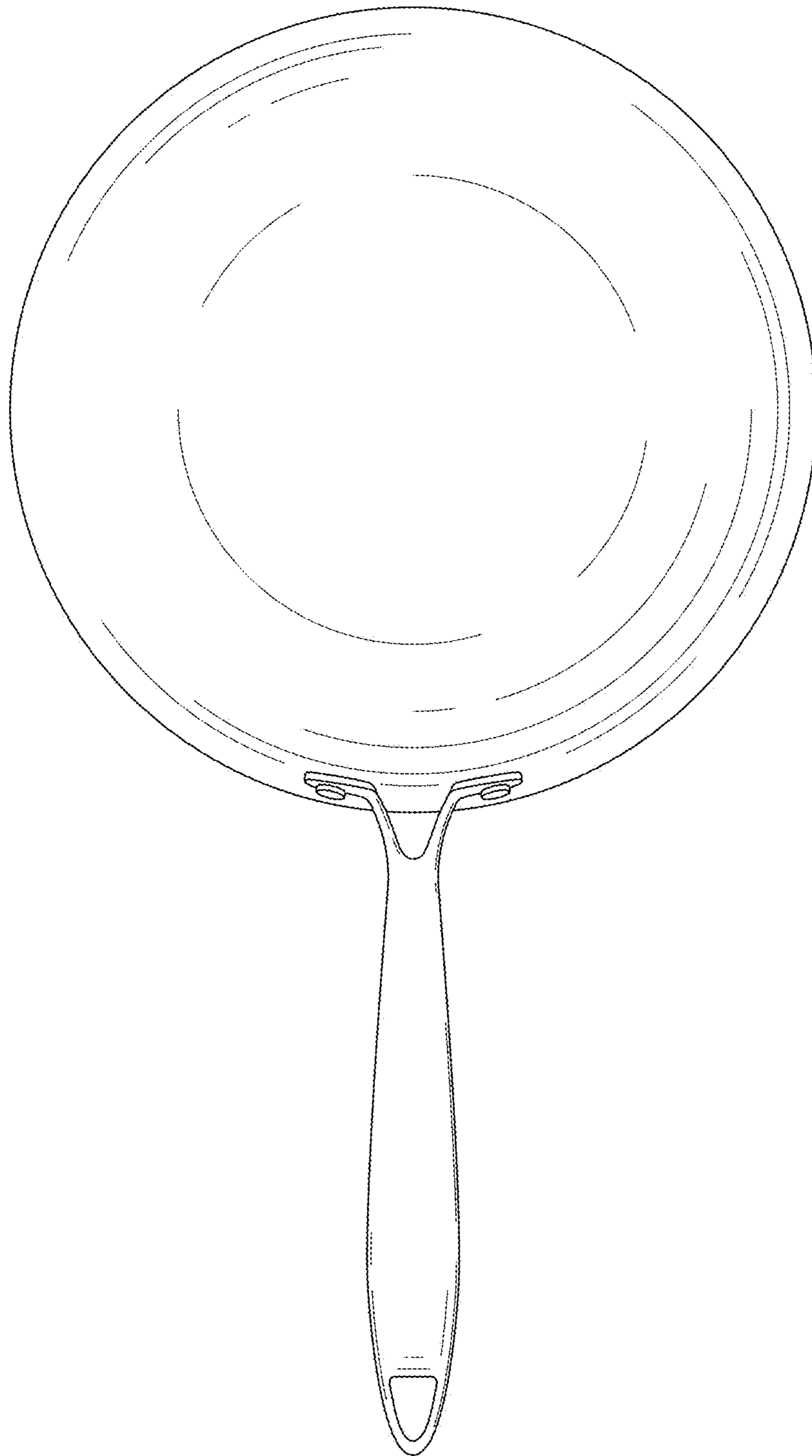


FIG. 3

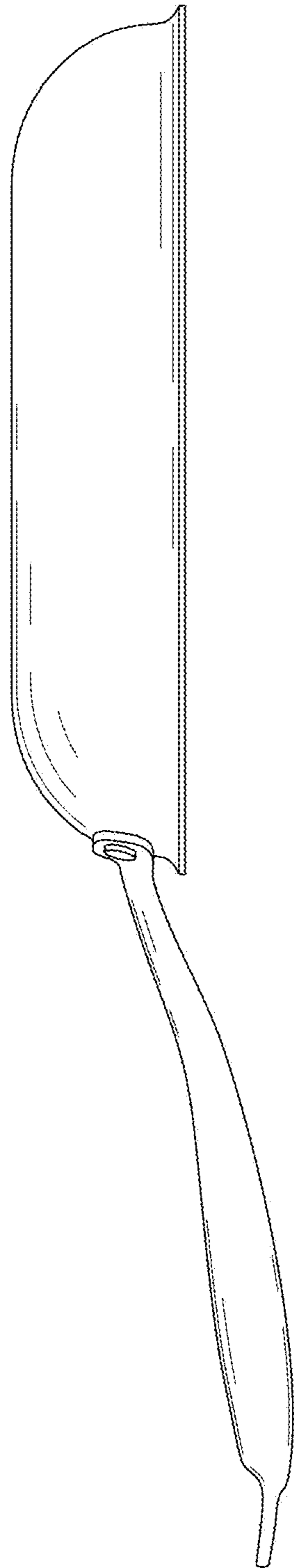


FIG. 4

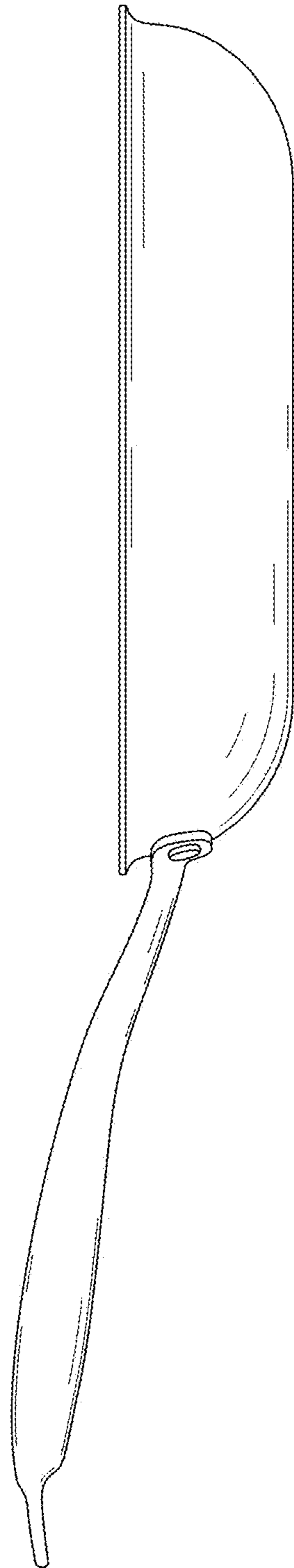


FIG. 5

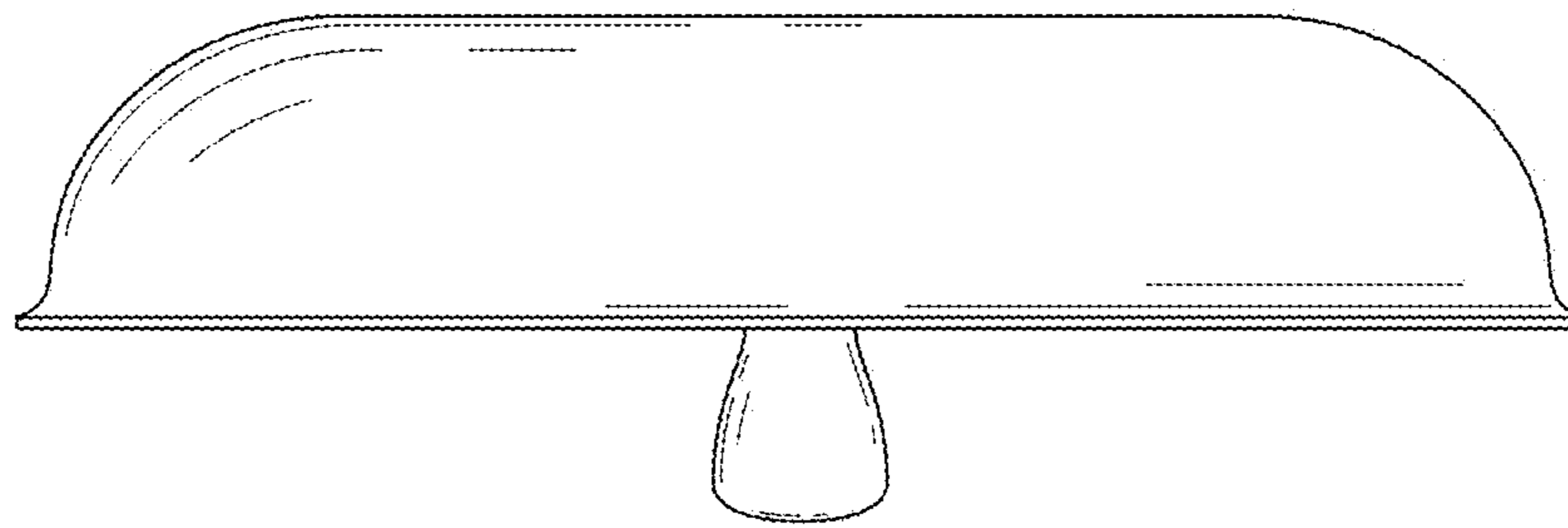


FIG. 6

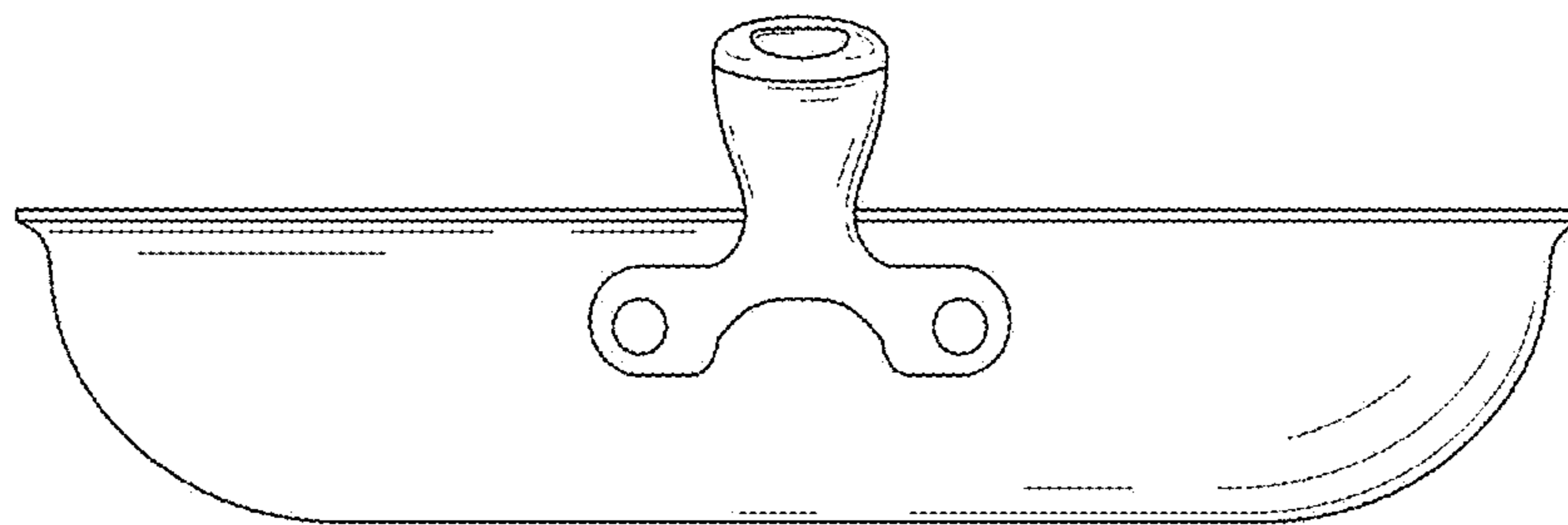


FIG. 7