



US00D910366S

(12) **United States Design Patent**
Corlay

(10) **Patent No.:** **US D910,366 S**
(45) **Date of Patent:** **** Feb. 16, 2021**

(54) **PRESSURE COOKER**

(71) Applicant: **SEB**, Selongey (FR)

(72) Inventor: **Florent Corlay**, Lyons (FR)

(73) Assignee: **SEB**, Selongey (FR)

(**) Term: **15 Years**

(21) Appl. No.: **29/709,165**

(22) Filed: **Oct. 11, 2019**

(30) **Foreign Application Priority Data**

Apr. 12, 2019 (EM) 006376463-0001

(51) **LOC (13) Cl.** **07-02**

(52) **U.S. Cl.**
USPC **D7/358**

(58) **Field of Classification Search**
USPC D7/323, 337, 339, 340, 341, 346, 350.3,
D7/352, 354, 355, 356, 357, 358, 359,
D7/360, 361, 362, 363, 364, 365, 366,
D7/367, 402, 403, 406, 407, 601
CPC A21B 1/06; A21B 1/50; A21B 1/52; A47J
37/04; A47J 37/06; A47J 37/015; A47J
37/067; A47J 37/0611; A47J 37/0629;
A47J 37/0676; A47J 37/108; F24C 7/06;
F24C 7/083; F24C 15/02; F24C 15/66;
H05B 3/20; H05B 3/40

See application file for complete search history.

(56) **References Cited**

U.S. PATENT DOCUMENTS

D201,416 S 6/1965 Sazegar
D201,937 S 8/1965 Johnson
D219,693 S 1/1971 Hahn
D369,270 S 4/1996 Payen
D380,504 S 7/1997 Yang
D382,767 S 8/1997 Lien
D444,663 S 7/2001 Samaras

D533,393 S 12/2006 Sidet et al.
D560,424 S 1/2008 McLemore
D568,092 S 5/2008 Boes et al.
D611,758 S 3/2010 Seymour

(Continued)

FOREIGN PATENT DOCUMENTS

GB 6073241 * 10/2019

OTHER PUBLICATIONS

Review: Tefal Cook4Me Intelligent Multicooker, announced Apr. 6, 2016 [online], retrieved Dec. 2, 2020, retrieved from internet, <https://thedadventurer.com/review/tefal-cook4me-intelligent-multicooker/>.*

(Continued)

Primary Examiner — Dana K Weiland

Assistant Examiner — Messina L Smith

(74) *Attorney, Agent, or Firm* — Loeb & Loeb LLP

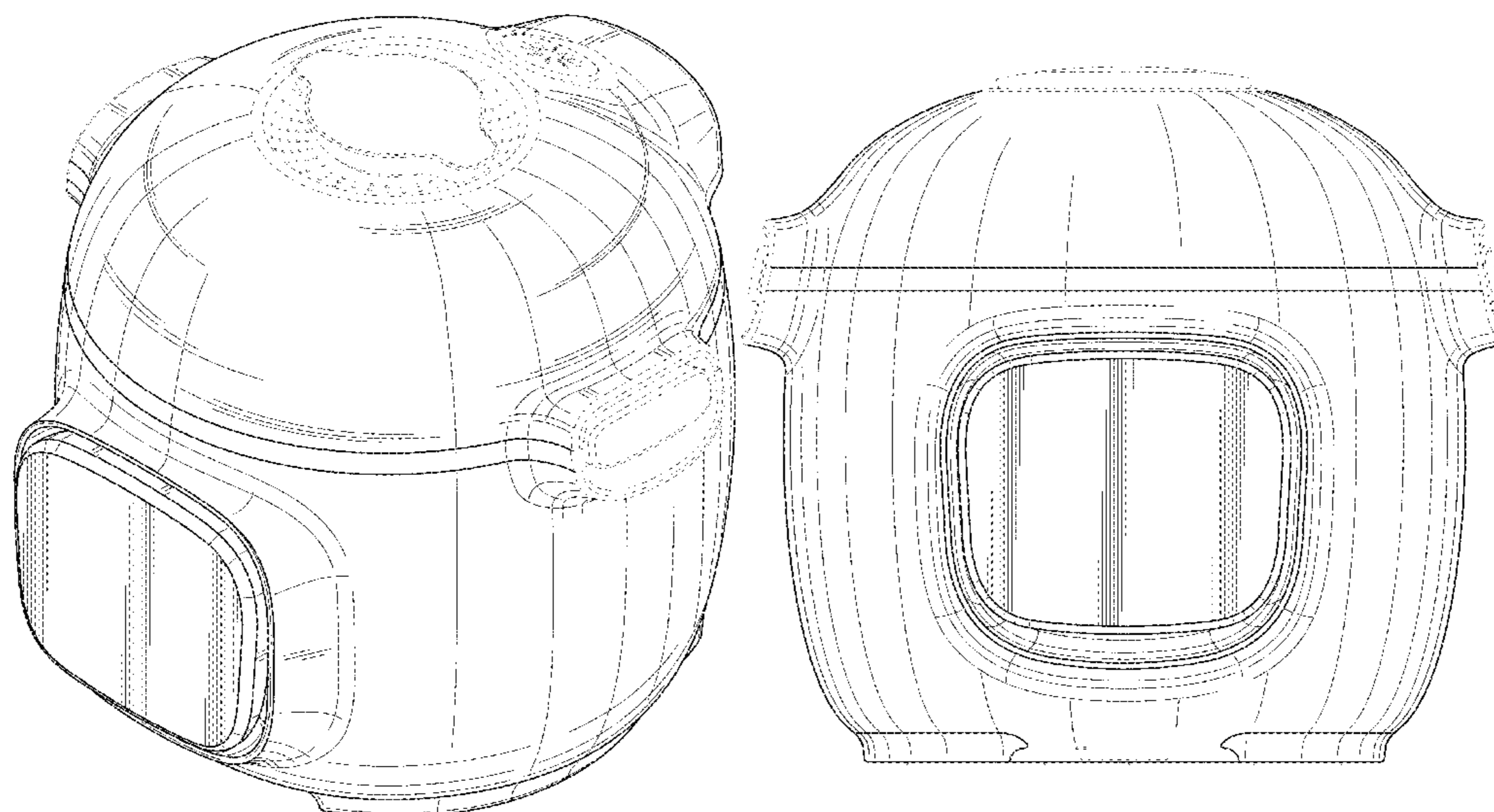
(57) **CLAIM**

The ornamental design for a pressure cooker, as shown and described.

DESCRIPTION

FIG. 1 is a perspective view of a pressure cooker showing my new design;
FIG. 2 is a front elevational view thereof;
FIG. 3 is a back elevational view thereof;
FIG. 4 is a right side elevational view thereof;
FIG. 5 is a left side elevational view thereof;
FIG. 6 is a top view thereof; and,
FIG. 7 is an alternate configuration of the pressure cooker of FIG. 1, showing a portion of the design in an open position. The dash lines are shown for the purpose of illustrating parts of the pressure cooker that form no part of the claimed design. The dot dash line is for the purpose of illustrating the bounds of the claim and forms no part thereof.

1 Claim, 7 Drawing Sheets



(56)

References Cited

U.S. PATENT DOCUMENTS

D615,807 S 5/2010 Creel
D642,416 S 8/2011 Scott et al.
D667,255 S 9/2012 Reiner
D802,987 S * 11/2017 Corlay D7/358
D874,211 S * 2/2020 Deng D7/354
D883,014 S * 5/2020 Varjabedian D7/354
D883,015 S * 5/2020 Deng D7/354
D883,016 S * 5/2020 Deng D7/354
D884,411 S * 5/2020 Dash D7/357
D896,563 S * 9/2020 Lee D7/354
D899,178 S * 10/2020 Ye D7/358
D901,230 S * 11/2020 Ye D7/354
2020/0229640 A1 * 7/2020 Han A47J 36/06
2020/0315389 A1 * 10/2020 Stewart A47J 37/0676
2020/0352384 A1 * 11/2020 Houjun A47J 27/0817

OTHER PUBLICATIONS

Krups Cook4Me + CZ7101 multi cooker, announced © 2020 [online], retrieved Dec. 2, 2020, retrieved from internet, <https://berlinb.azurewebsites.net/en/krups-cook4me-cz7101-multi-cooker-cooking-under-pressure-for-fast-and-fresh-dishes-6-liter-capacity-1600-watts-incl-recipe-book-white-gray>.*

* cited by examiner

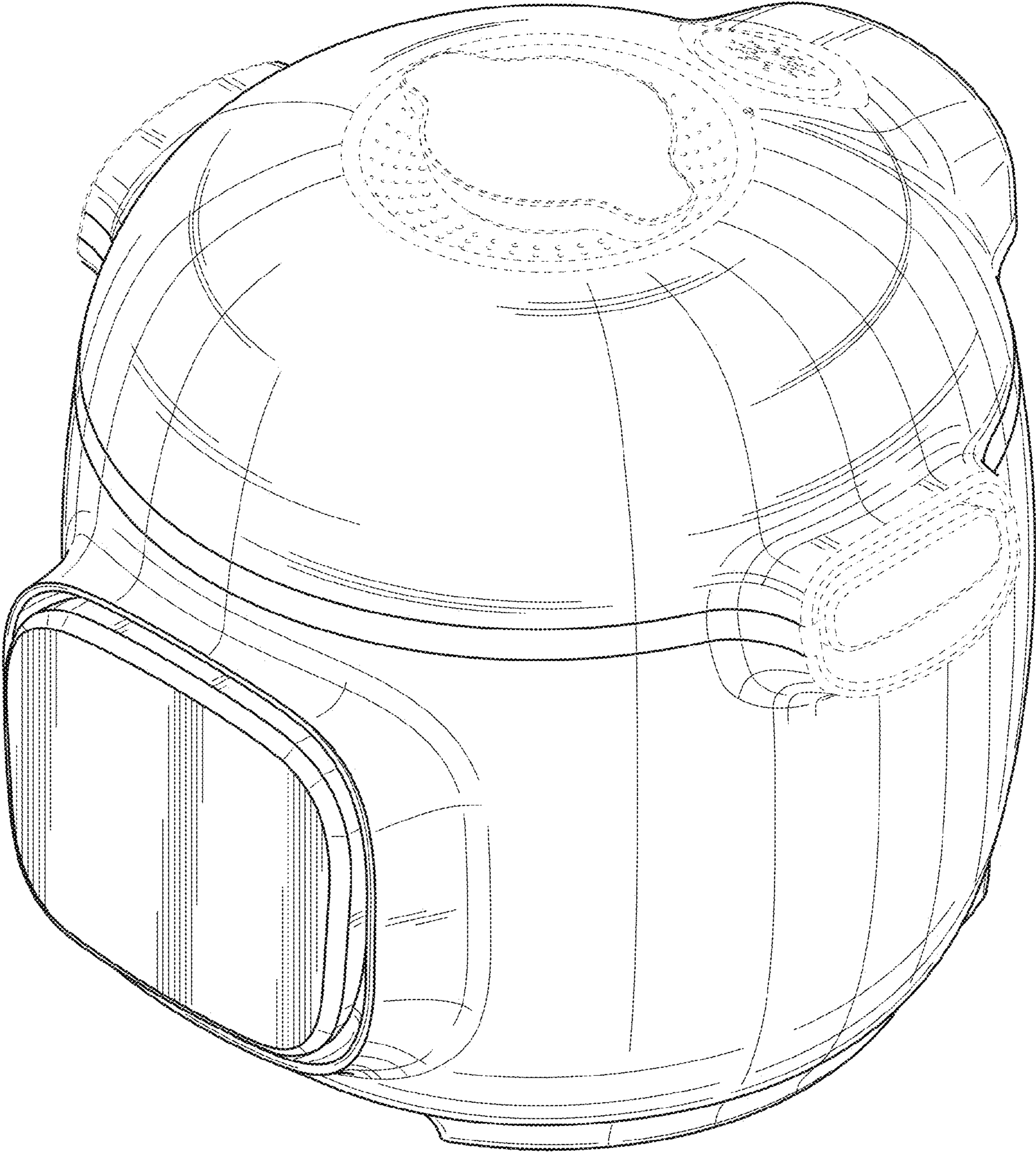


FIG. 1

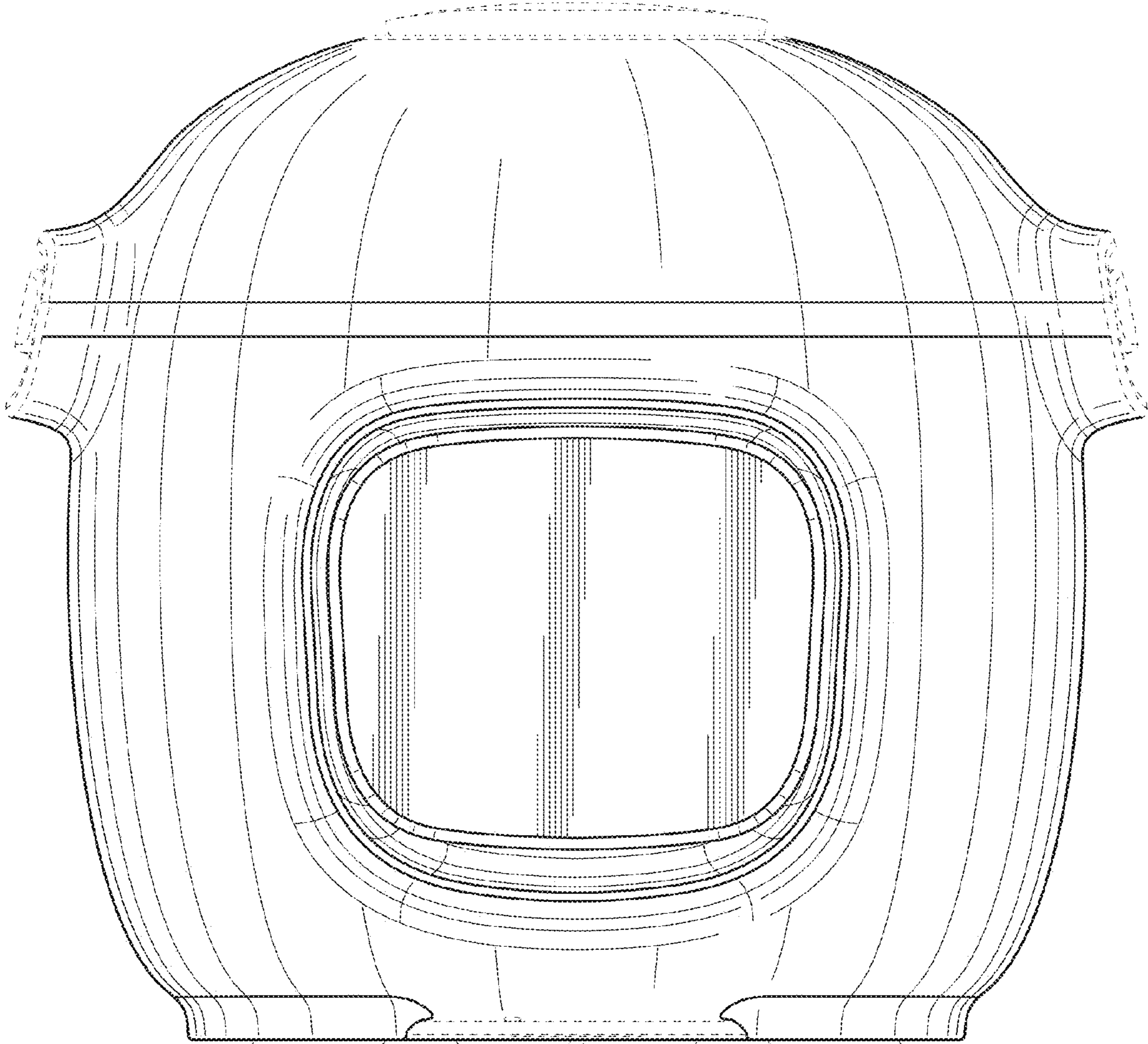


FIG. 2

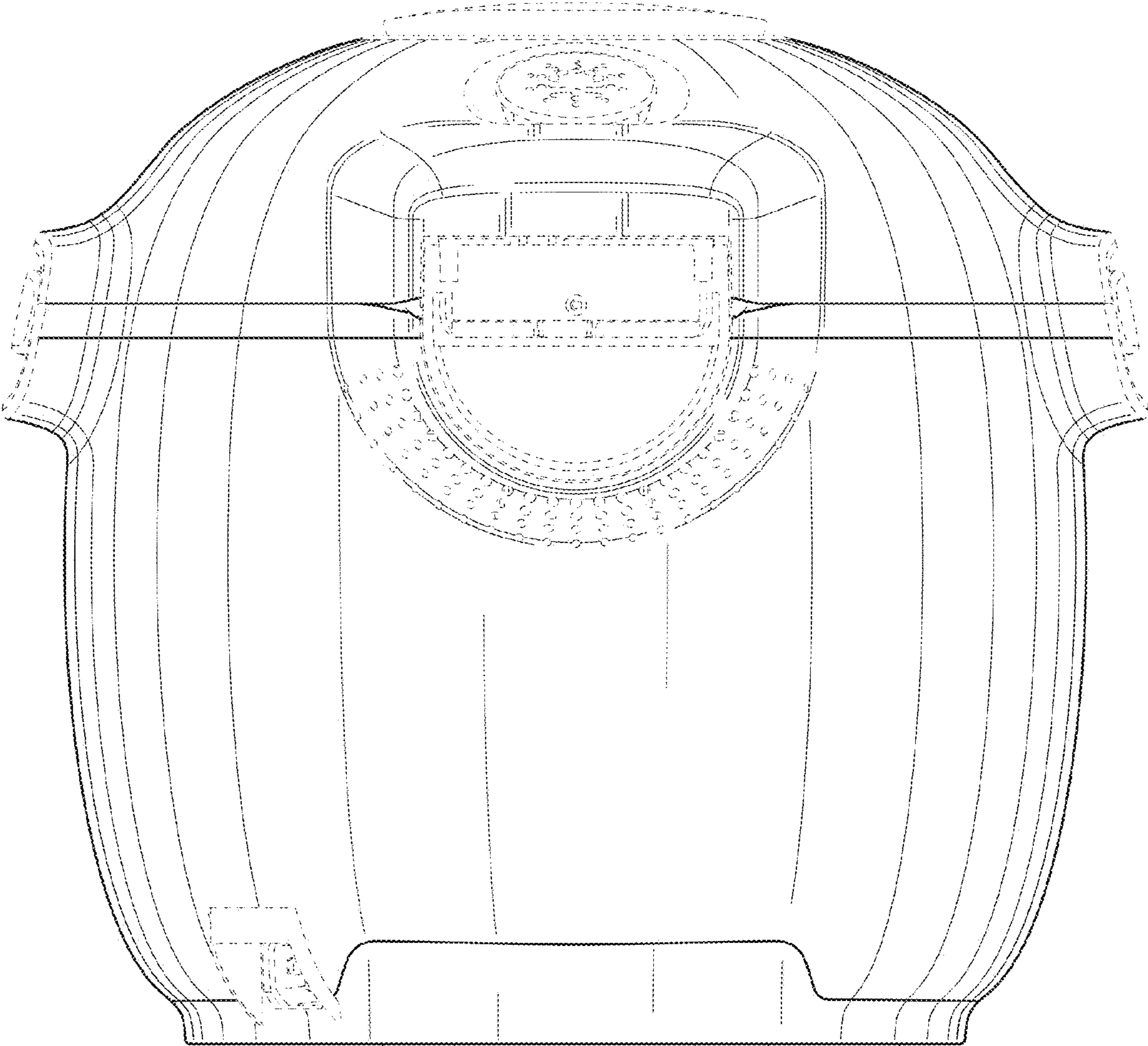


FIG. 3

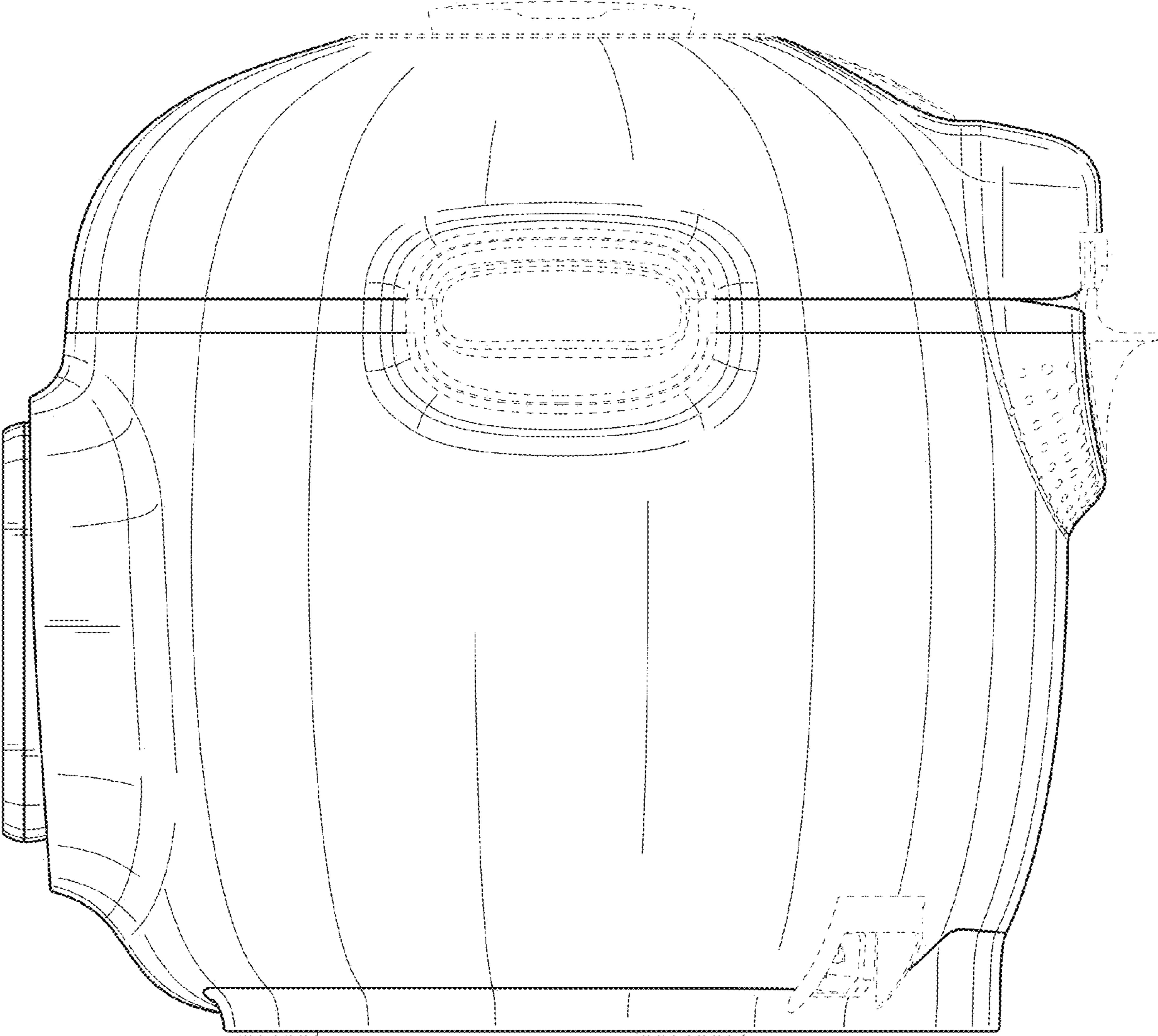


FIG. 4

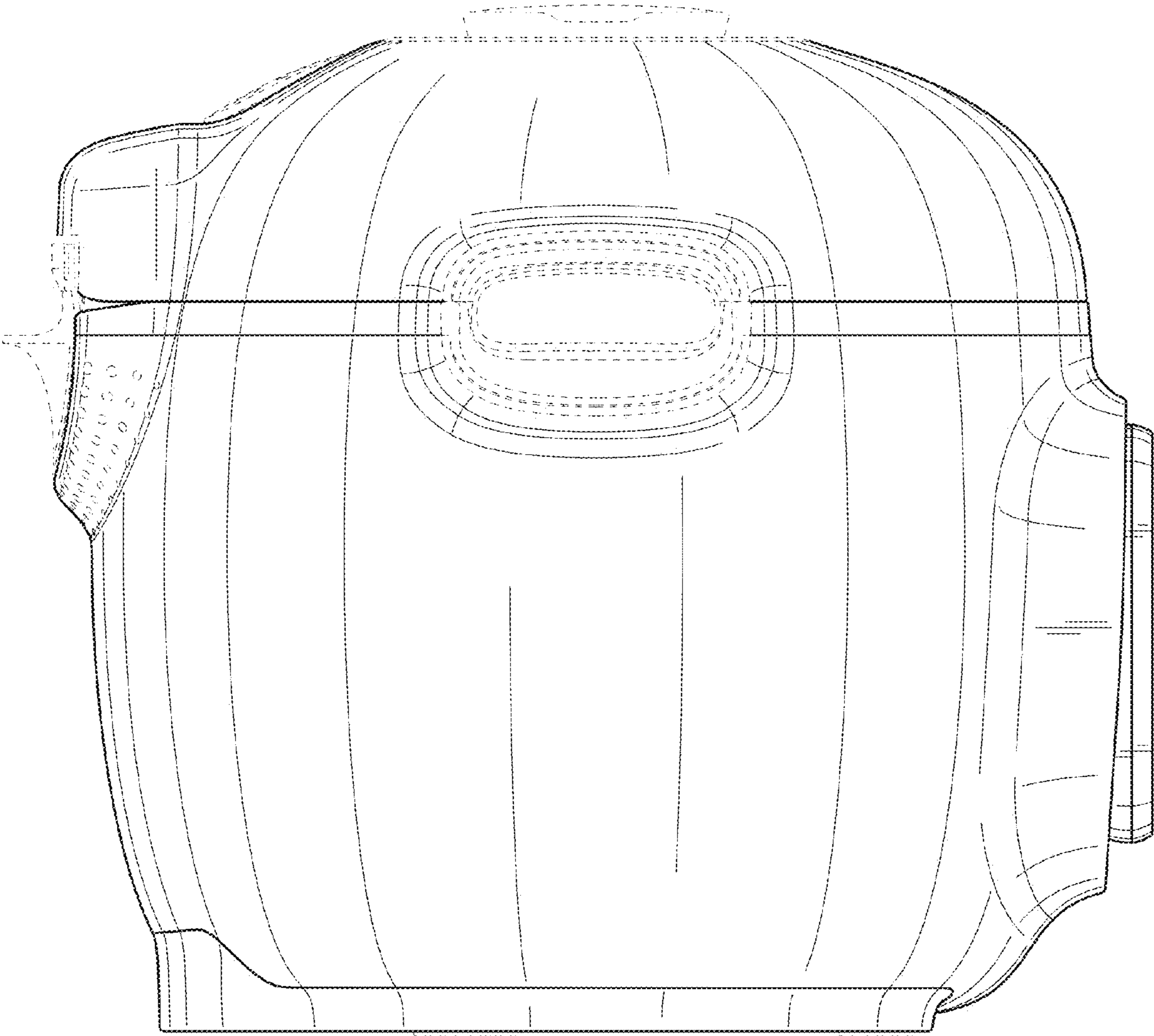


FIG. 5

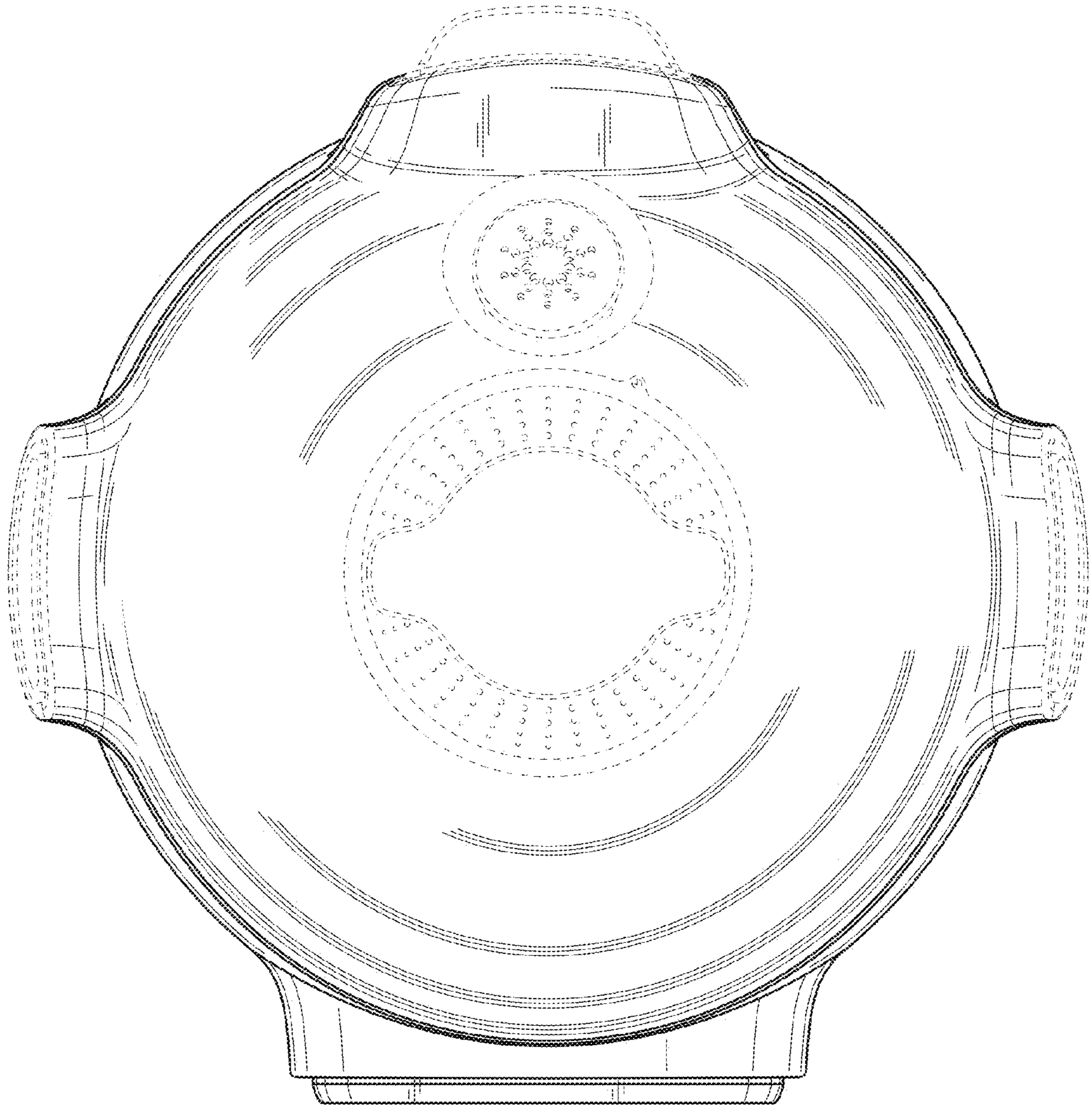


FIG. 6

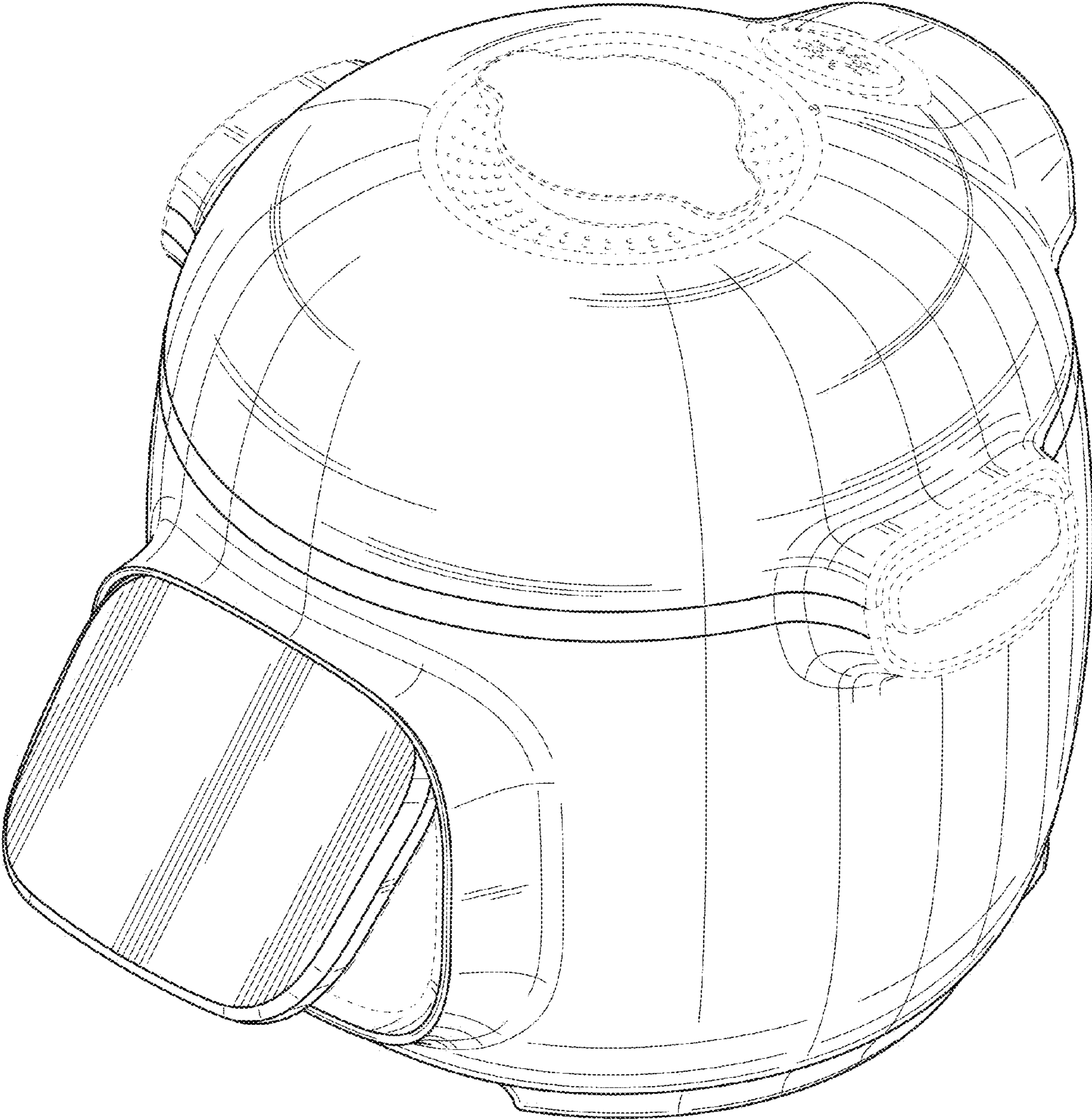


FIG. 7