



US00D910365S

(12) **United States Design Patent**
Qin et al.

(10) **Patent No.:** **US D910,365 S**

(45) **Date of Patent:** **** Feb. 16, 2021**

(54) **COOKER**

(71) Applicant: **Instant Brands Inc.**, Ottawa (CA)

(72) Inventors: **Yi Qin**, Ottawa (CA); **Ling Weng**,
Ottawa (CA); **Robert Wang**, Ottawa
(CA)

(73) Assignee: **Instant Brands Inc.**, Ottawa (CA)

(**) Term: **15 Years**

(21) Appl. No.: **29/691,941**

(22) Filed: **May 21, 2019**

(30) **Foreign Application Priority Data**

Mar. 28, 2019 (CA) 186711

(51) **LOC (13) Cl.** **07-02**

(52) **U.S. Cl.**
USPC **D7/358**

(58) **Field of Classification Search**

USPC D7/323, 337, 339, 340, 341, 352, 354,
D7/355, 356, 357, 358, 359, 360, 361,
D7/393, 402, 403, 409, 601, 612;
D13/162, 162.1, 163, 164, 165, 166, 71;
D10/104.1, 106.1, 106.2, 106.6, 106.95,
D10/109.1, 121, 50; D14/388, 389
CPC A21B 1/06; A21B 1/26; A21B 1/50; A21B
1/52; A47J 37/04; A47J 37/06; A47J
37/015; A47J 37/067; A47J 37/0629;
A47J 37/0676; A47J 37/108; A47J 36/16;
A47J 36/20; A47J 36/22; F24C 7/06;
F24C 15/02; H05B 3/20; H05B 3/40
See application file for complete search history.

(56) **References Cited**

U.S. PATENT DOCUMENTS

4,617,452 A * 10/1986 Miwa A47J 36/10
219/440
D542,082 S * 5/2007 Spiegel D7/354

D788,517 S * 6/2017 Barquin D7/354
D802,987 S * 11/2017 Corlay D7/358
D832,024 S * 10/2018 Wessels D7/354
D832,036 S * 10/2018 Dutruel D7/397
D833,202 S * 11/2018 Yang D7/358
D838,546 S * 1/2019 Wang D7/406
D846,335 S * 4/2019 Yang D7/358
D854,875 S * 7/2019 Tan D7/358

(Continued)

FOREIGN PATENT DOCUMENTS

JP 2011251030 A * 12/2011

OTHER PUBLICATIONS

Duo Evo™ Plus, announced © 2020 [online], retrieved Jul. 29,
2020, retrieved from internet, <https://instantpot.com/portfolio-item/duo-evo-plus/>.*

(Continued)

Primary Examiner — Dana K Weiland
Assistant Examiner — Messina L Smith

(74) *Attorney, Agent, or Firm* — Renner, Otto, Boisselle
& Sklar, LLP

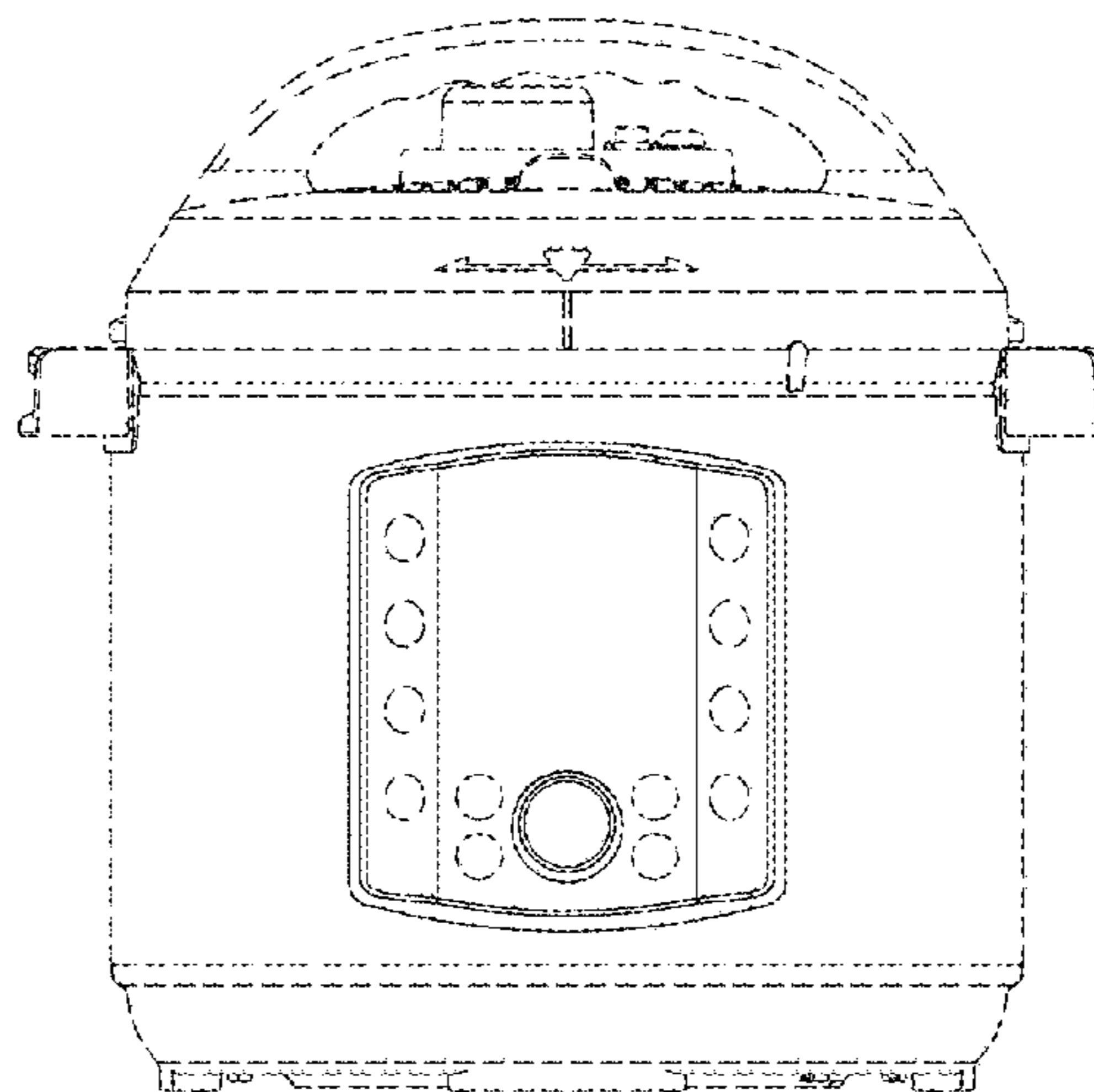
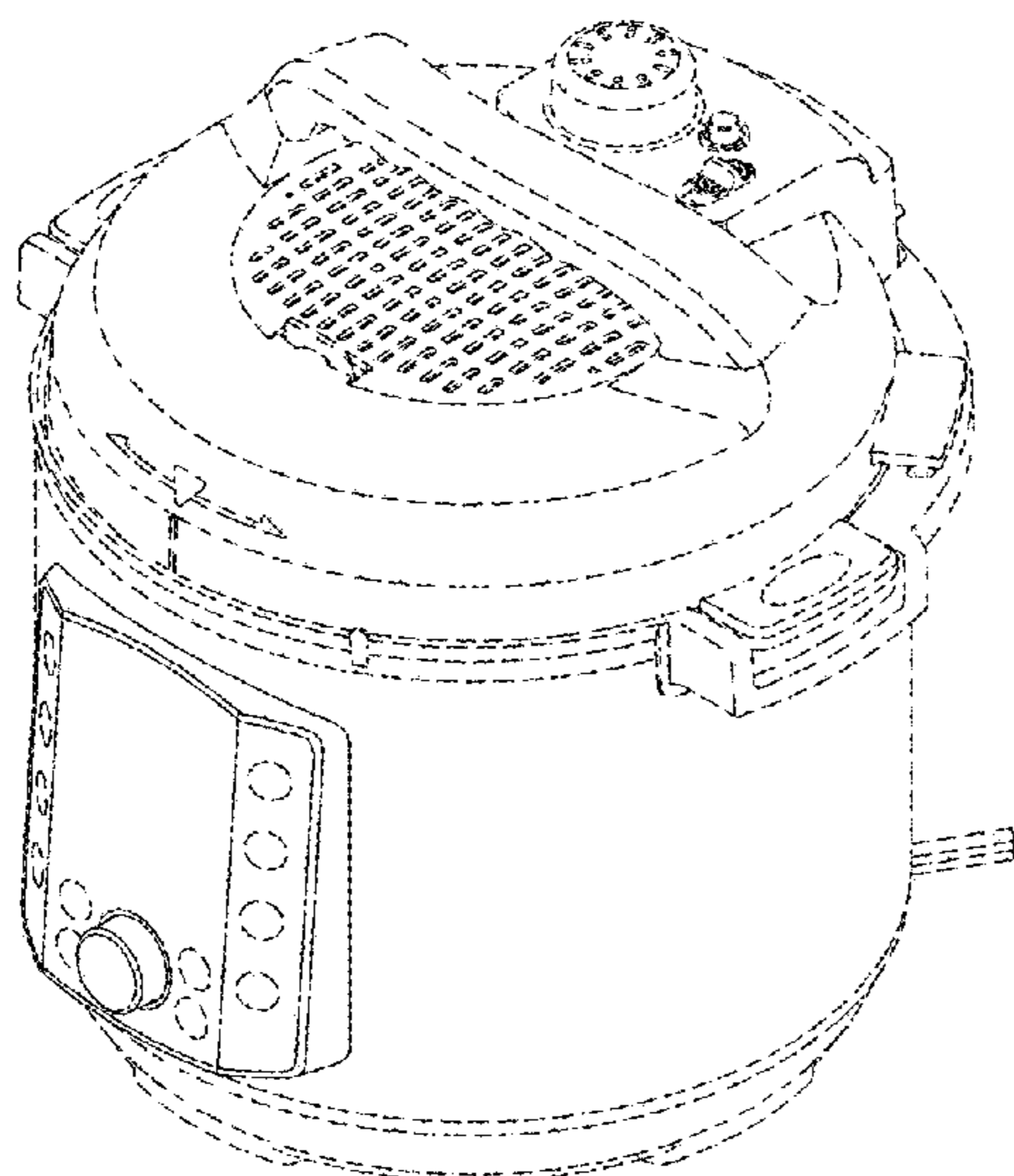
(57) **CLAIM**

The ornamental design for a cooker, as shown and described.

DESCRIPTION

FIG. 1 is a top, front, right perspective view of a cooker showing our new design;
FIG. 2 is a front elevation view thereof;
FIG. 3 is a rear elevation view thereof;
FIG. 4 is a left side elevation view thereof;
FIG. 5 is a right side elevation view thereof;
FIG. 6 is a top plan view thereof; and,
FIG. 7 is a bottom plan view thereof.
The broken lines in the drawings depict portions of the cooker that form no part of the claimed design.

1 Claim, 7 Drawing Sheets



(56)

References Cited

U.S. PATENT DOCUMENTS

D856,839 S * 8/2019 Siminoff et al. D10/121
 D860,712 S * 9/2019 Yang D7/358
 D861,411 S * 10/2019 Huang D7/358
 D861,412 S * 10/2019 Yang D7/358
 D871,828 S * 1/2020 Tan D7/358
 D874,867 S * 2/2020 Varjabedian D7/354
 D876,874 S * 3/2020 Varjabedian D7/354
 D879,540 S * 3/2020 Chen D7/354
 D880,930 S * 4/2020 Zhang D7/357
 D883,014 S * 5/2020 Varjabedian D7/354
 D883,015 S * 5/2020 Deng D7/354
 D883,017 S * 5/2020 Deng D7/354
 D890,008 S * 7/2020 Xiong D10/106.2
 2011/0147365 A1 * 6/2011 Pellerin A47J 27/086
 219/440
 2013/0125763 A1 * 5/2013 Valance A47J 37/00
 99/325

2019/0045964 A1 * 2/2019 Gill A47J 27/04
 2019/0274462 A1 * 9/2019 Moon A47J 27/0815
 2020/0128998 A1 * 4/2020 Qin A47J 27/0815

OTHER PUBLICATIONS

Review: How To Use Your Instant Pot Duo Evo Plus, announced Oct. 6, 2019 [online] @:01:35, retrieved Jul. 29, 2020, retrieved from internet, <https://www.youtube.com/watch?v=p763izO1hO0>.
 Instant Pot Duo Evo Plus Buttons and Smart Programs, announced Nov. 30, 2019 [online], retrieved Jul. 29, 2020, retrieved from internet, <https://www.paintthekitchenred.com/instant-pot-duo-evo-plus-buttons-and-smart-programs/>.
 Instant Pot Duo Evo Plus, announced Oct. 26, 2019 [online], retrieved Jul. 29, 2020, retrieved from internet, https://www.amazon.com/Instant-Pot-Duo-Evo-Plus/dp/B07W55DDFB/ref=cm_cr_arp_d_product_top?ie=UTF8.

* cited by examiner

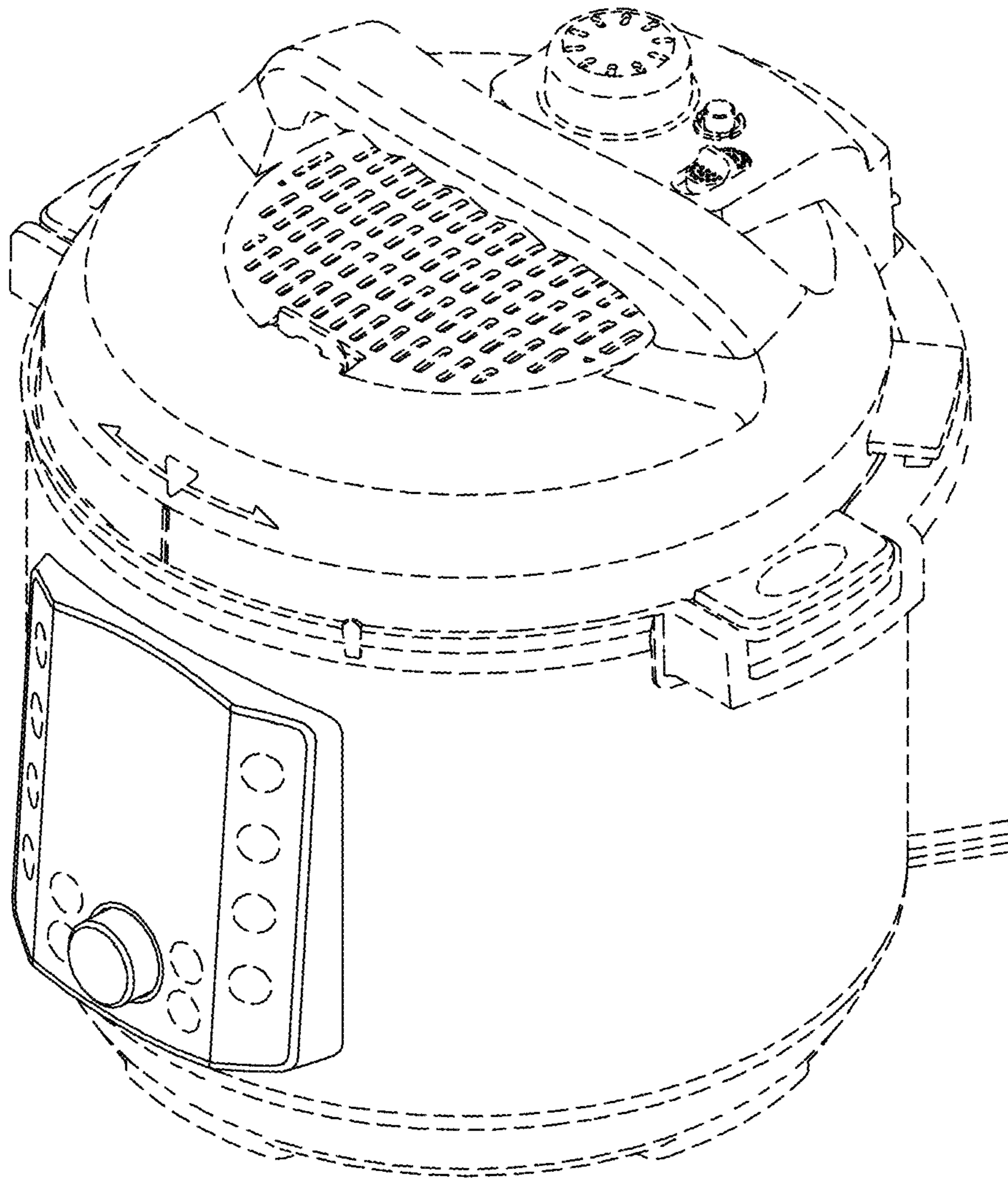


FIG. 1

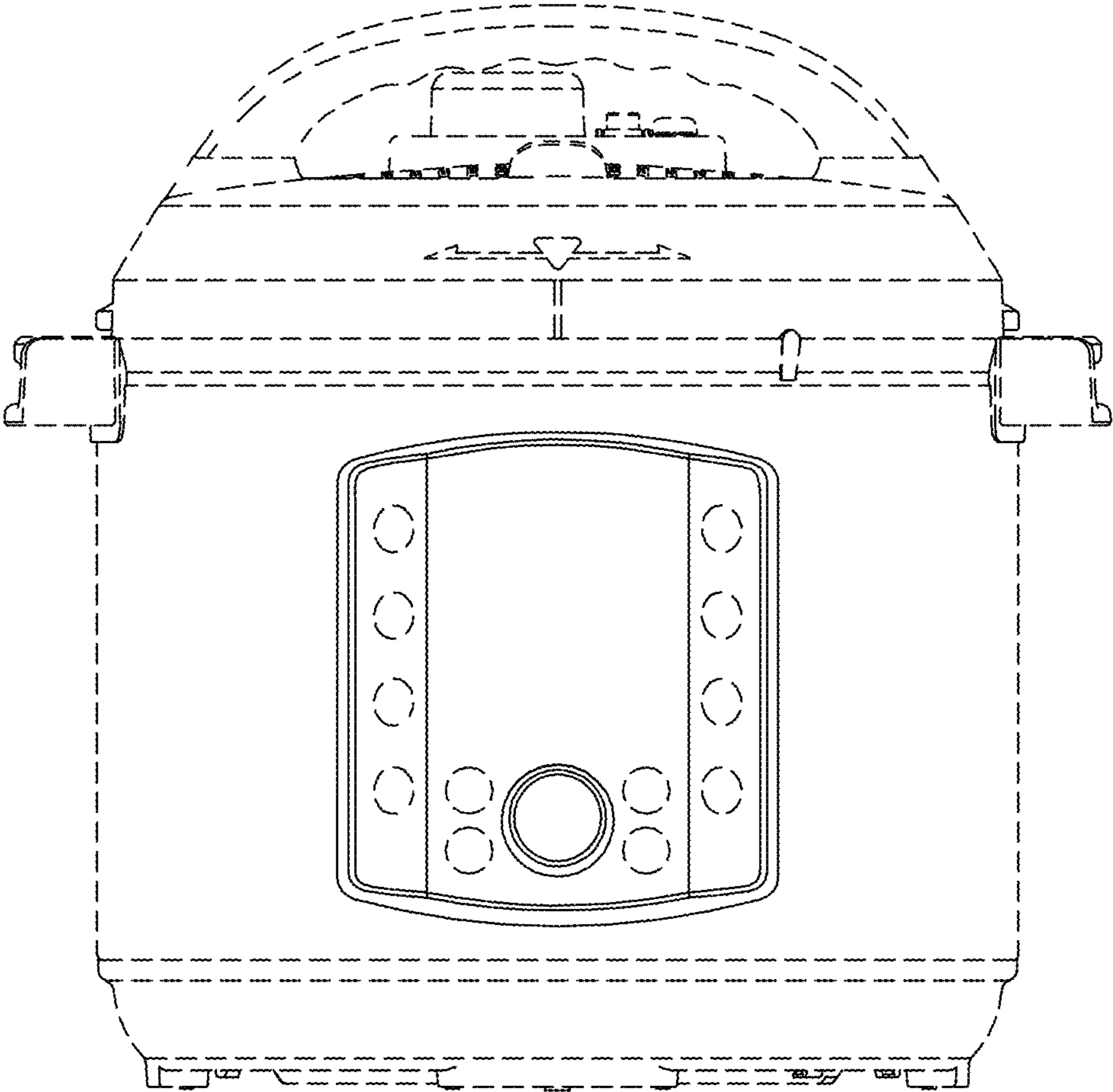


FIG. 2

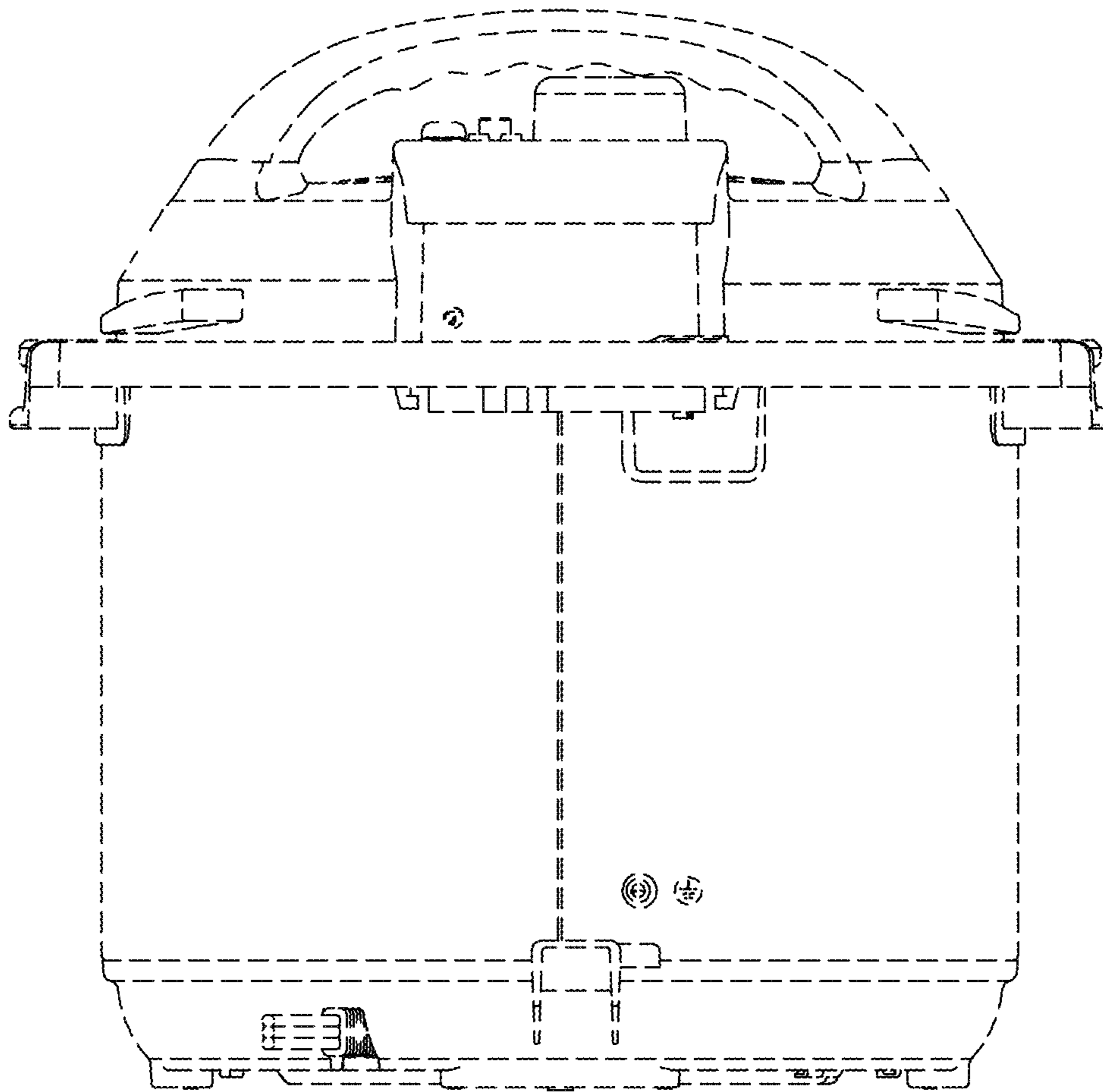


FIG. 3

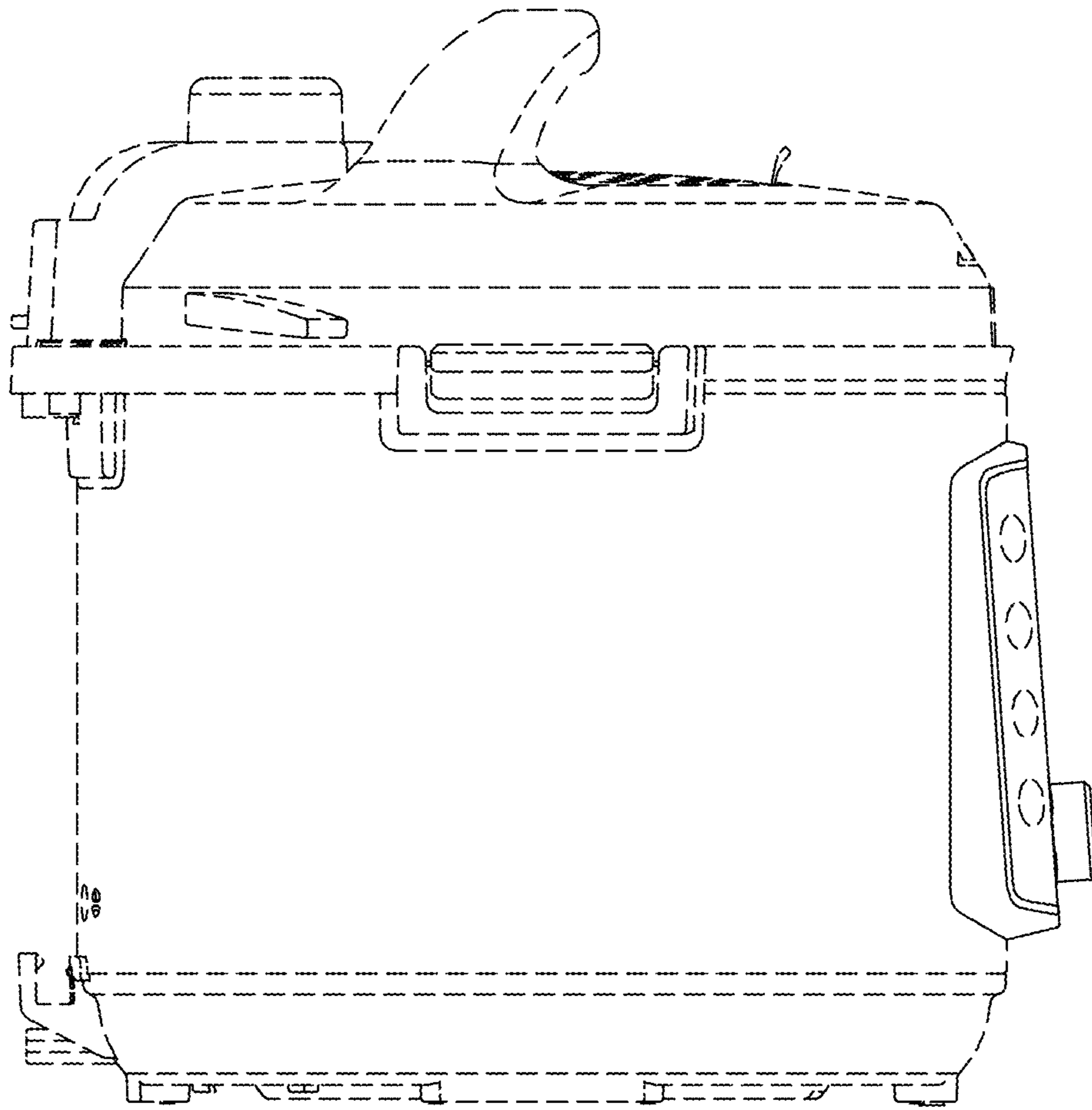


FIG. 4

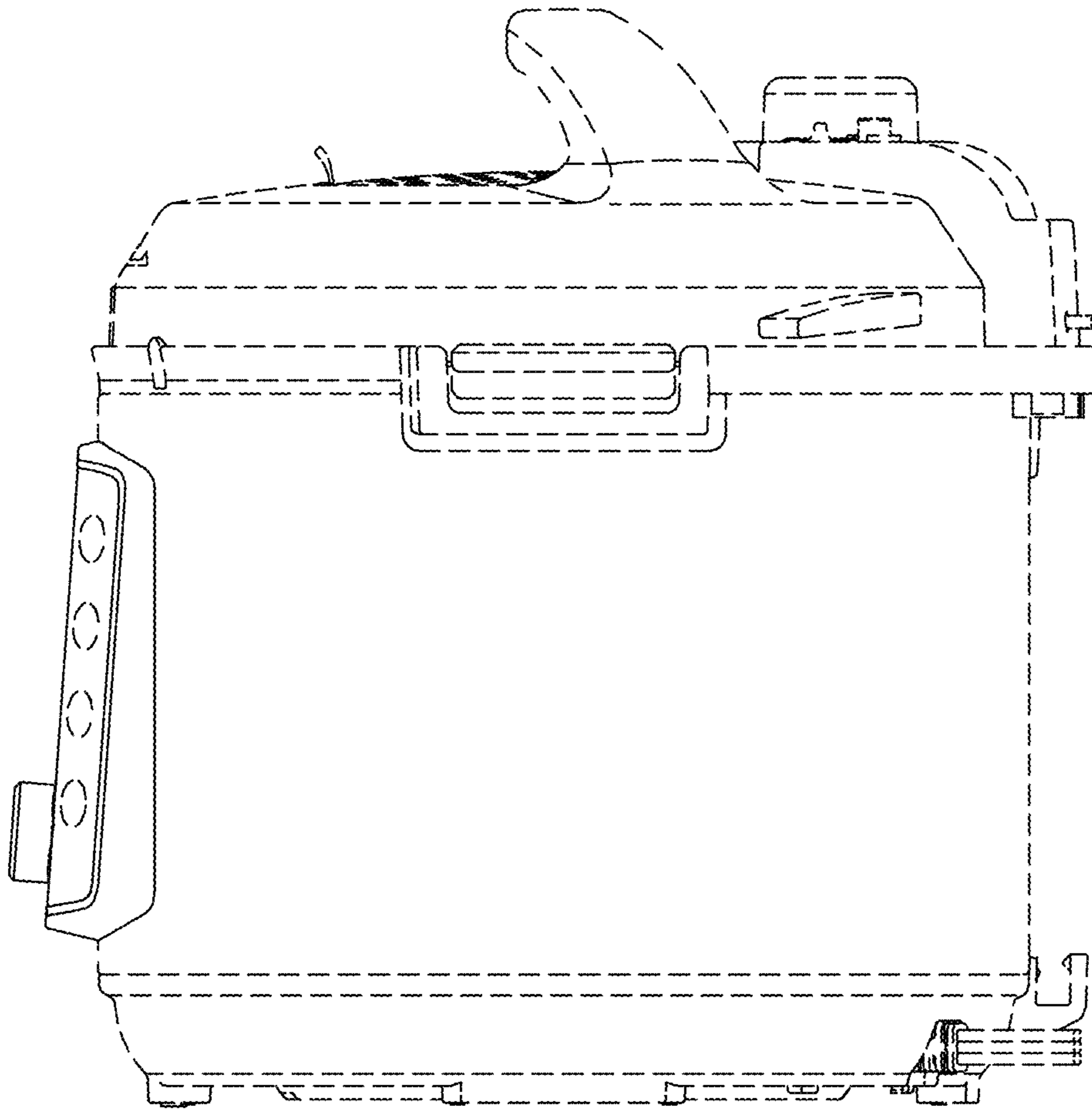


FIG. 5

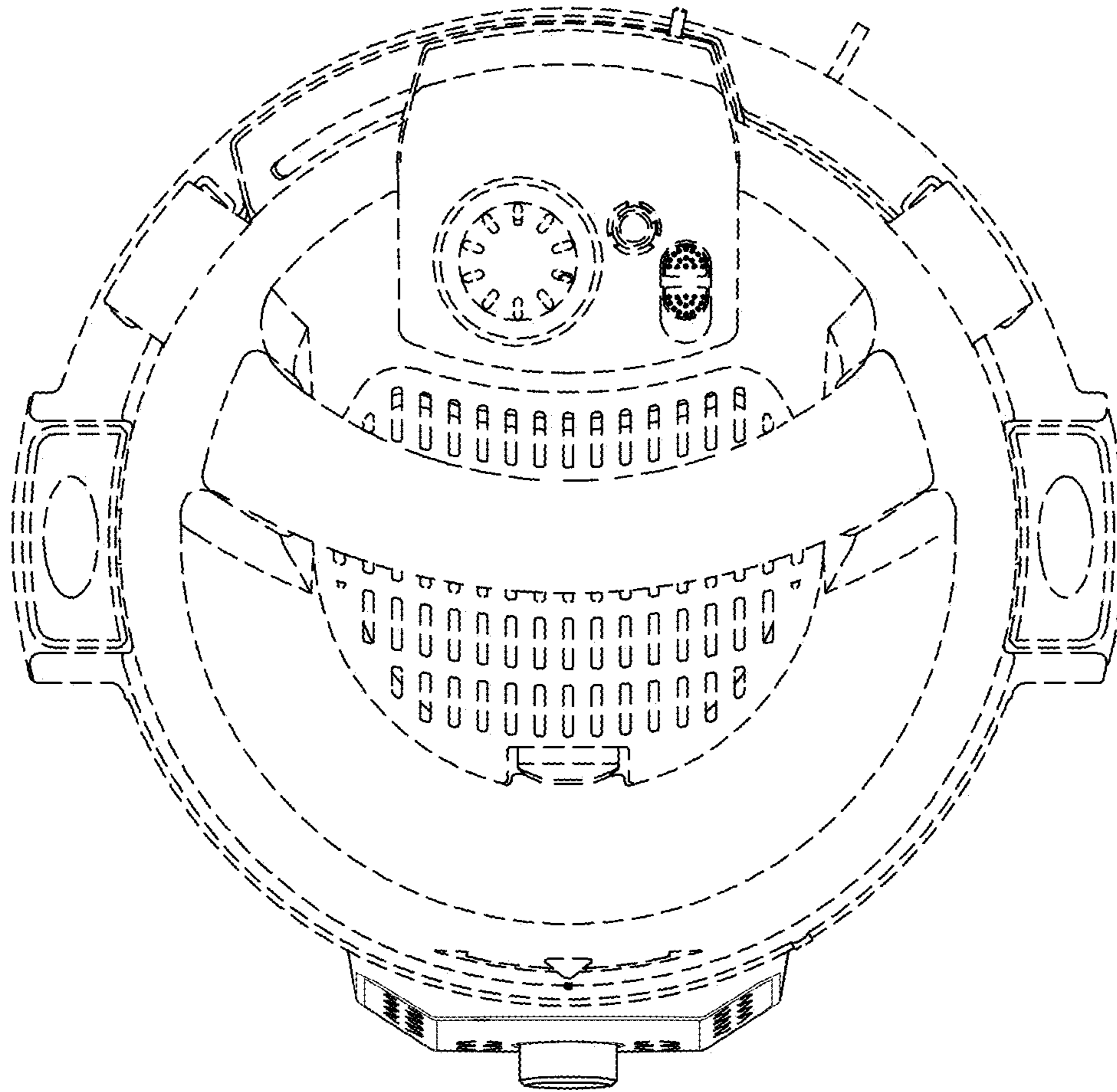


FIG. 6

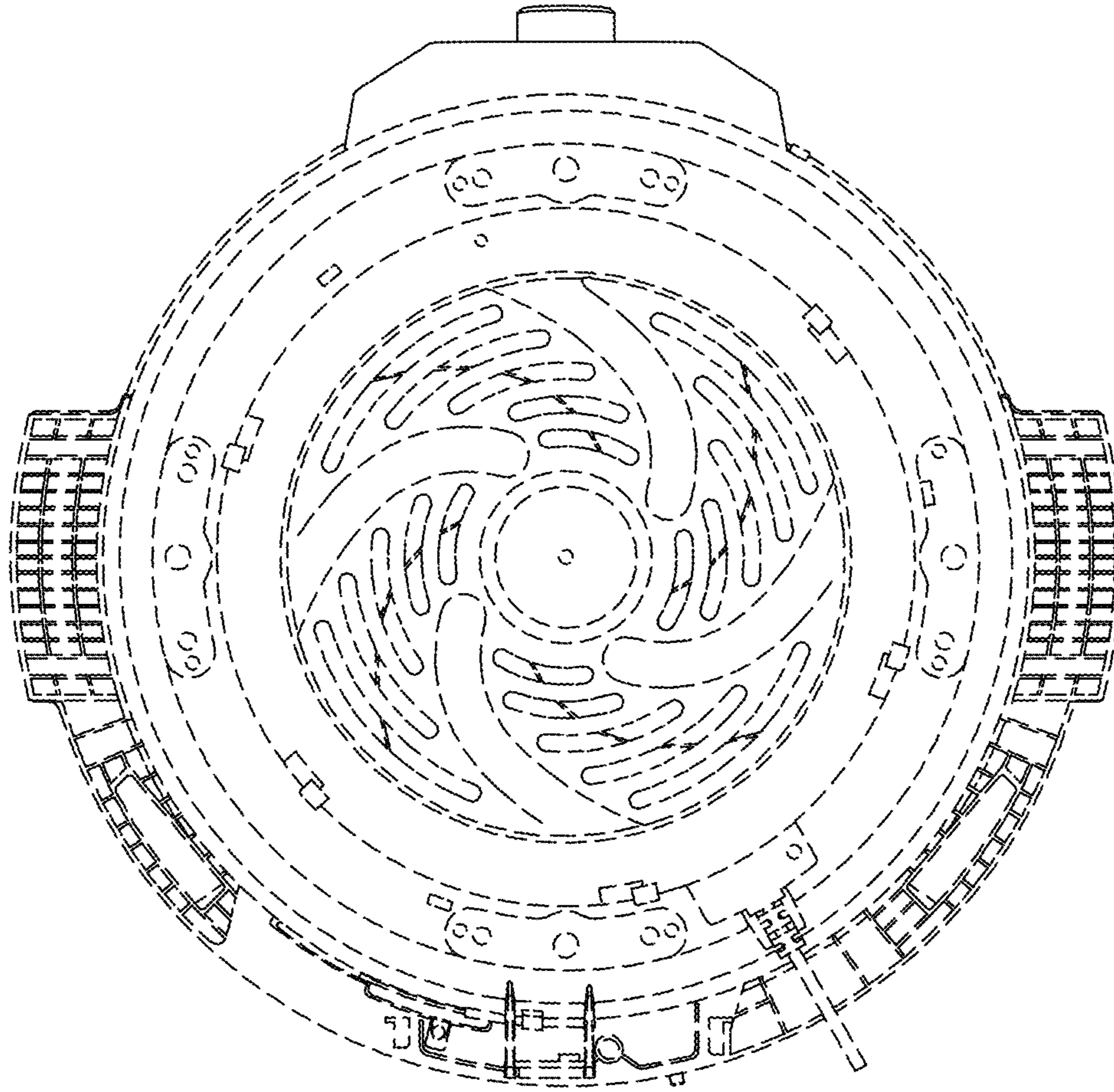


FIG. 7