



US00D910364S

(12) **United States Design Patent**  
**Huckestein et al.**

(10) **Patent No.:** **US D910,364 S**

(45) **Date of Patent:** **\*\* Feb. 16, 2021**

(54) **EGG POACHING TRAY SET**

(71) Applicants: **William Huckestein**, Ventura, CA (US); **Scott Kim**, Ventura, CA (US); **Giovanni Manaloto Rodriguez**, Ventura, CA (US)

(72) Inventors: **William Huckestein**, Ventura, CA (US); **Scott Kim**, Ventura, CA (US); **Giovanni Manaloto Rodriguez**, Ventura, CA (US)

(\*\*) Term: **15 Years**

(21) Appl. No.: **29/699,778**

(22) Filed: **Jul. 29, 2019**

(51) **LOC (13) Cl.** ..... **07-02**

(52) **U.S. Cl.**

USPC ..... **D7/357**

(58) **Field of Classification Search**

USPC ..... D7/354, 355, 356, 357, 359, 501, 503, D7/505, 550.1, 553.1, 553.2, 553.6, (Continued)

(56) **References Cited**

**U.S. PATENT DOCUMENTS**

D23,930 S \* 1/1895 Kroeter ..... D7/357  
855,565 A \* 6/1907 Greenhouse ..... B65D 71/72  
206/562

(Continued)

**FOREIGN PATENT DOCUMENTS**

JP 2014161230 A \* 9/2014

**OTHER PUBLICATIONS**

Saladmaster 6 Cup Egg Poacher, announced Jul. 26, 2020 [online], retrieved Jul. 29, 2020, retrieved from internet, <https://www.ebay.com/c/25036414012>.\*

(Continued)

*Primary Examiner* — Dana K Weiland

*Assistant Examiner* — Messina L Smith

(74) *Attorney, Agent, or Firm* — Quickpatents, LLC; Kevin Prince

(57) **CLAIM**

The ornamental design for an egg poaching tray set, as shown and described.

**DESCRIPTION**

FIG. 1 is a top perspective view of an egg poaching tray set showing the new design in a first embodiment;

FIG. 2 is a bottom perspective view of the tray of the egg poaching tray set, shown separately to show aspects of the design that are not visible when combined;

FIG. 3 is a top plan view of FIG. 2;

FIG. 4 is a bottom plan view of FIG. 2;

FIG. 5 is an enlarged left side elevational view of FIG. 2, the right side, front, and rear elevational views being identical thereof;

FIG. 6 is an enlarged cross-sectional view of FIG. 2, taken in the direction of line 6-6 in FIG. 4;

FIG. 7 is an exploded view of the egg poaching tray set of FIG. 1;

FIG. 8 is a top perspective view of the egg poaching tray set shown in a second embodiment;

FIG. 9 is a bottom perspective view of the tray of the egg poaching tray set of FIG. 8, shown separately to show aspects of the design that are not visible when combined;

FIG. 10 is a top plan view of FIG. 9;

FIG. 11 is a bottom plan view of FIG. 9;

FIG. 12 is an enlarged left side elevational view of FIG. 9, the right side, front, and rear elevational views being identical thereof;

FIG. 13 is an enlarged cross-sectional view of FIG. 9, taken in the direction of line 13-13 in FIG. 11;

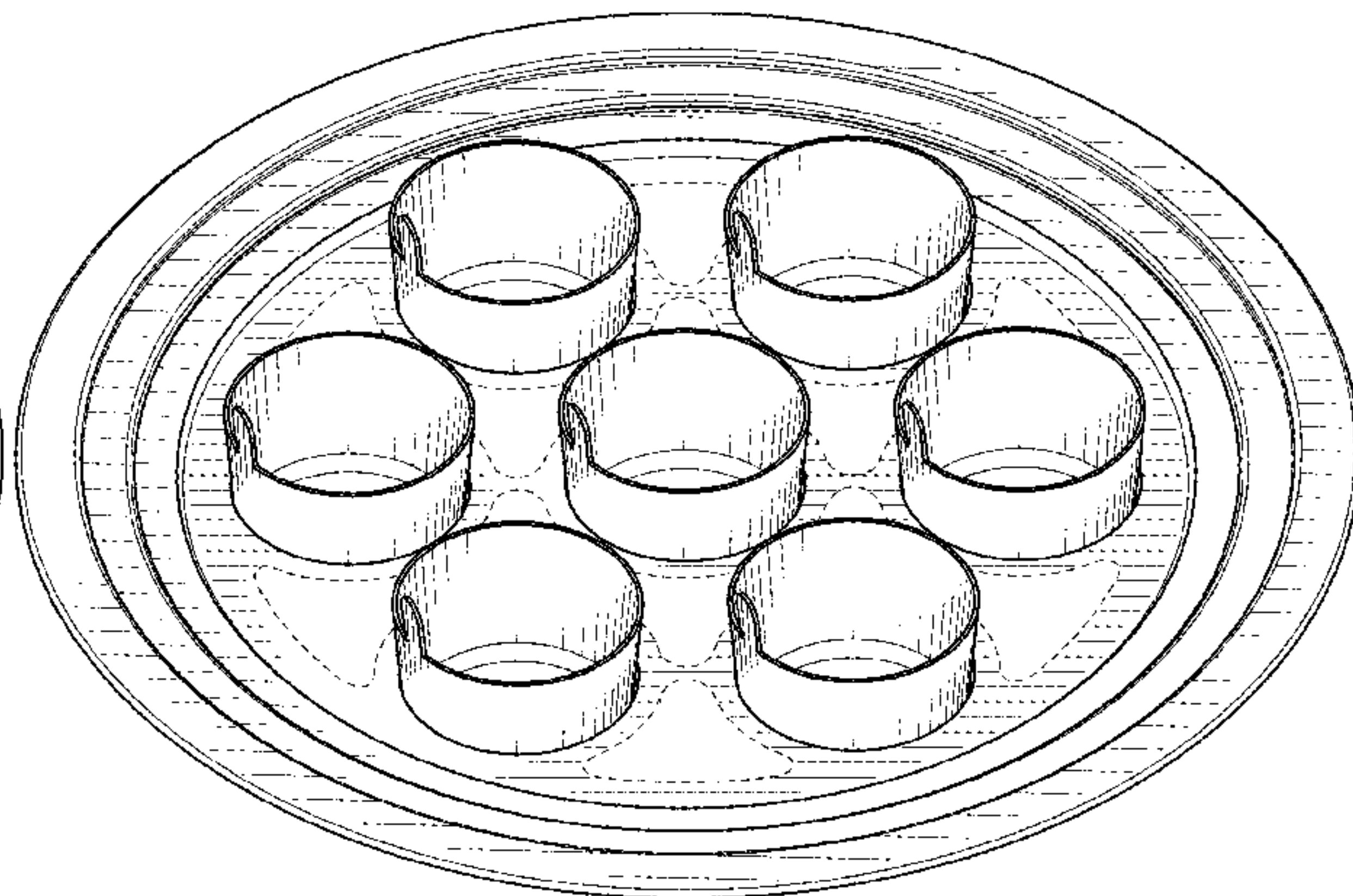
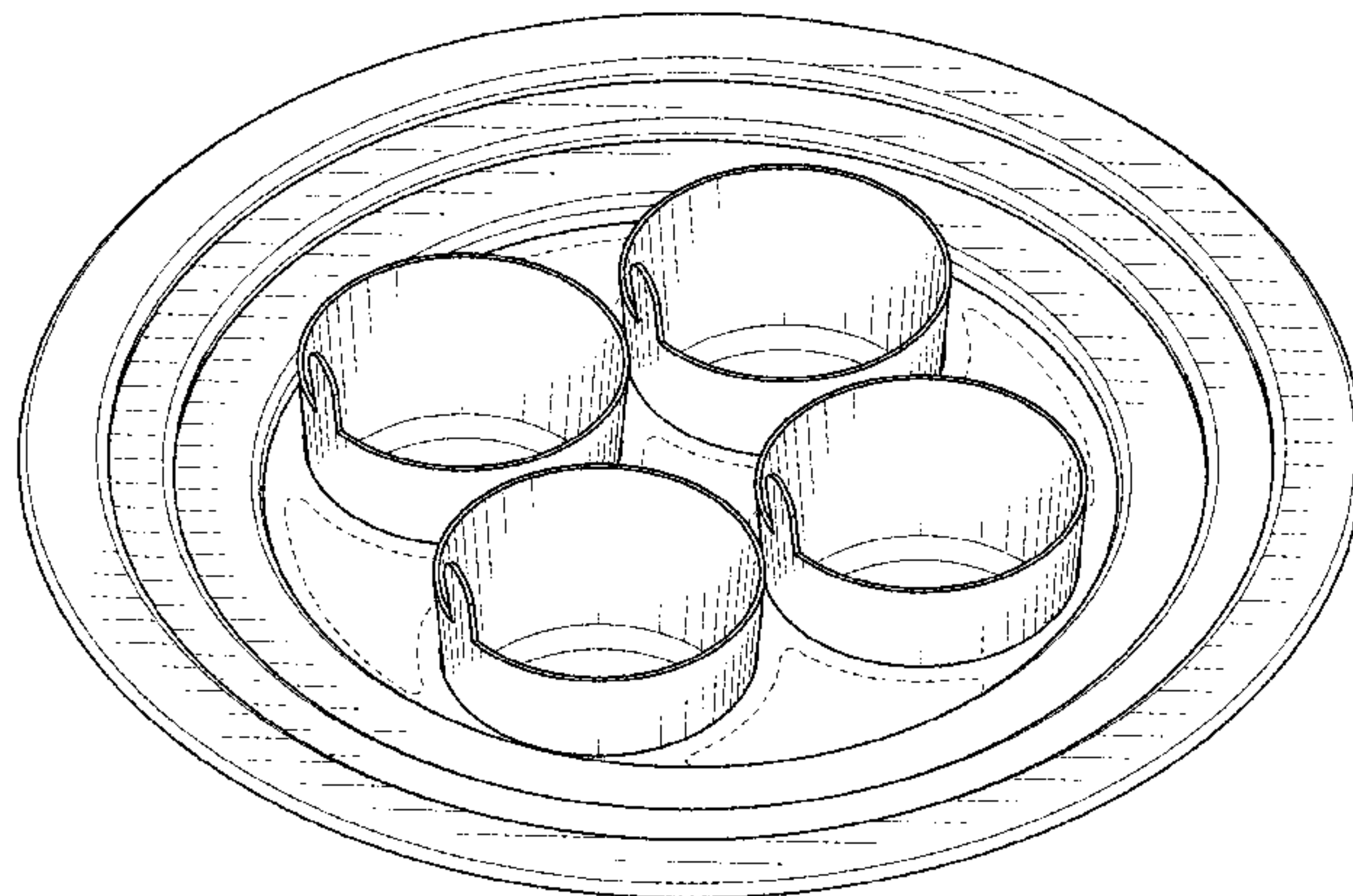
FIG. 14 is an exploded view of the egg poaching tray set of FIG. 9;

FIG. 15 is a left side elevational view of a poaching cup of the egg poaching tray set, shown separately to show aspects of the design that are not visible when combined;

FIG. 16 is a top plan view of FIG. 15; and,

FIG. 17 is a perspective view of FIG. 15.

(Continued)



The broken lines showing vents in the poaching tray depict portions of the egg poaching tray that form no part of the claimed design.

**1 Claim, 14 Drawing Sheets**

(58) **Field of Classification Search**

USPC ..... D7/553.7, 553.8, 554.1, 554.2, 554.3,  
D7/554.4, 753; D3/304; D9/736, 749,  
D9/755, 758, 760, 456; D1/105, 124  
CPC .. A47J 29/00; A47J 29/02; A47J 29/04; A47J  
29/06; A47J 27/004; A47J 36/027; A01K  
41/06; A01K 41/065; B65D 85/32; B65D  
85/321; B65D 85/322; B65D 85/324;  
B65G 2201/2208; A47G 19/282; F25D  
2331/807

See application file for complete search history.

(56) **References Cited**

U.S. PATENT DOCUMENTS

1,199,987 A \* 10/1916 Husted ..... A47G 33/02  
206/19  
2,699,719 A \* 1/1955 Zelante ..... A47J 29/04  
99/336  
D252,066 S \* 6/1979 Jeambey ..... D7/357  
D269,935 S \* 8/1983 Powers ..... D7/357  
D275,925 S \* 10/1984 Bowen ..... D7/357

D292,161 S \* 10/1987 Spolter ..... D7/553.6  
D381,554 S \* 7/1997 Tichenor ..... D7/354  
D391,449 S \* 3/1998 Toth ..... D7/554.2  
D393,775 S \* 4/1998 Otero ..... D7/553.6  
D445,619 S \* 7/2001 Achey ..... D6/707.2  
D469,653 S \* 2/2003 Cooper ..... D7/357  
D497,077 S \* 10/2004 de Groote ..... D7/357  
D533,407 S \* 12/2006 McMullin ..... D7/585  
D651,048 S \* 12/2011 Gold ..... D7/553.6  
D655,567 S \* 3/2012 Kirkland ..... D7/357  
D688,085 S \* 8/2013 Harris ..... D7/357  
D689,730 S \* 9/2013 Goto ..... D7/354  
D696,896 S \* 1/2014 Weskamp ..... D7/357  
D731,249 S \* 6/2015 Keeth ..... D7/554.2  
D804,325 S \* 12/2017 Thompson ..... D9/758  
D848,780 S \* 5/2019 Lombardo ..... D7/357  
D856,061 S \* 8/2019 Lombardo ..... D7/357  
D863,864 S \* 10/2019 Armistead ..... D7/357  
2018/0249856 A1 \* 9/2018 Samartgis ..... A23L 5/15

OTHER PUBLICATIONS

TechnIQ Egg poacher, announced © 2004-2020 [online], retrieved Jul. 29, 2020, retrieved from internet, <https://www.finnishdesignshop.com/kitchenware-cooklivare-frying-pans-techniq-egg-poacher-p-23583.html?region=nz>.\*

Nonstick 4-cup Egg Poacher Fry Pan with Glass Lid, announced May 14, 2018 [online], retrieved Jul. 29, 2020, retrieved from internet, <https://www.overstock.com/Home-Garden/Nonstick-4-cup-Egg-Poacher-Fry-Pan-with-Glass-Lid/5953402/product.html>.\*

\* cited by examiner



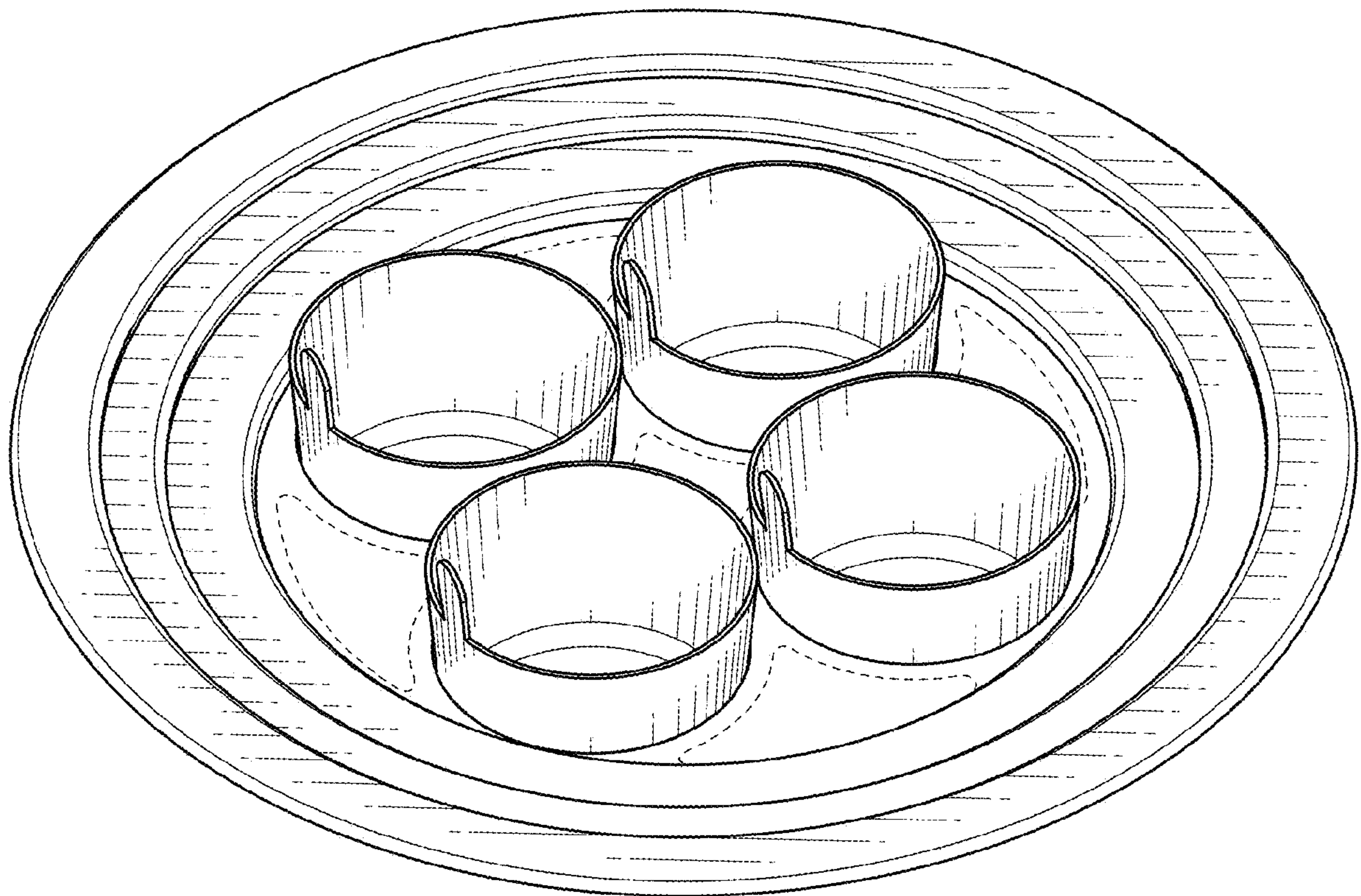


FIG. 1

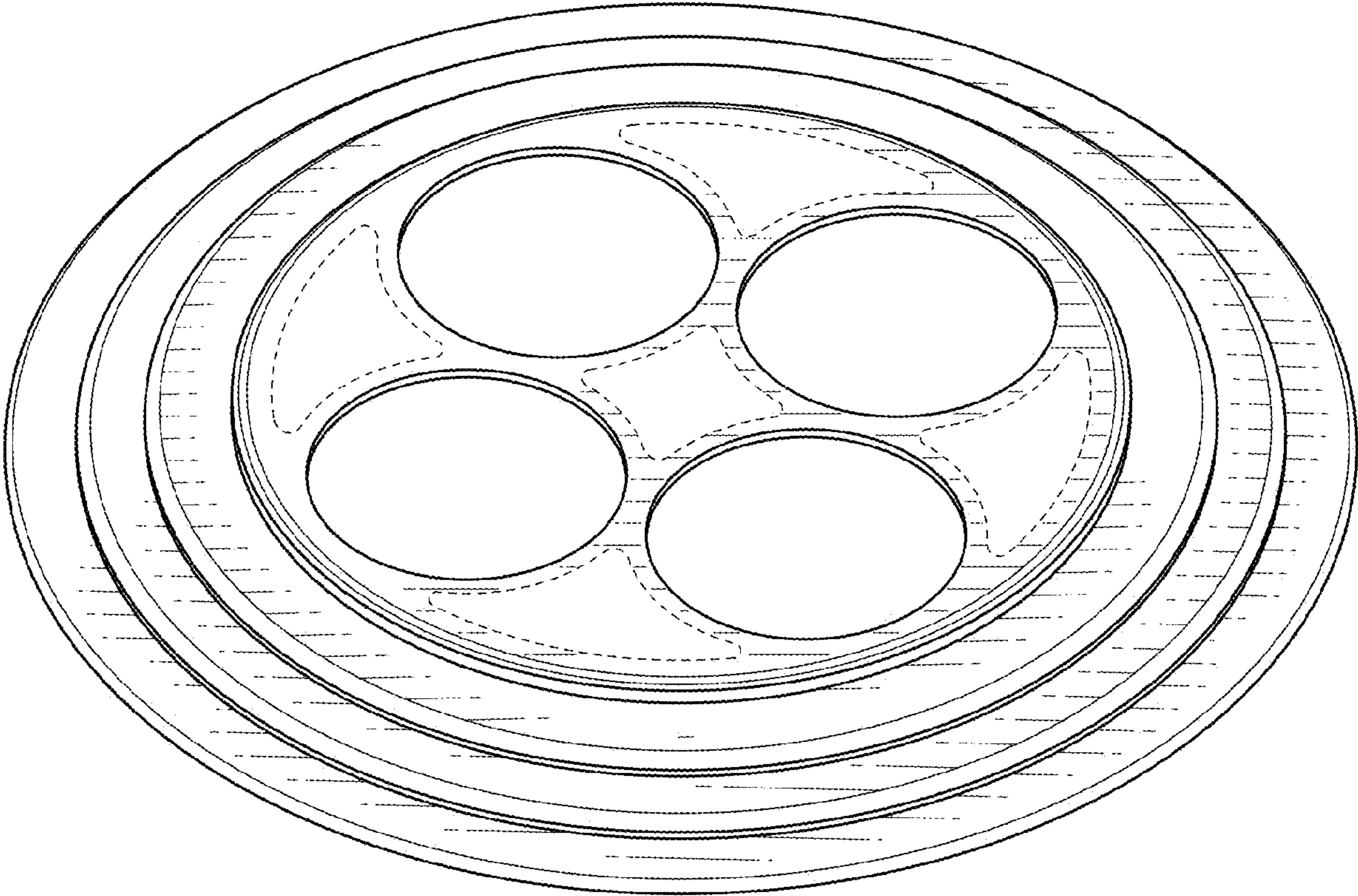


FIG. 2

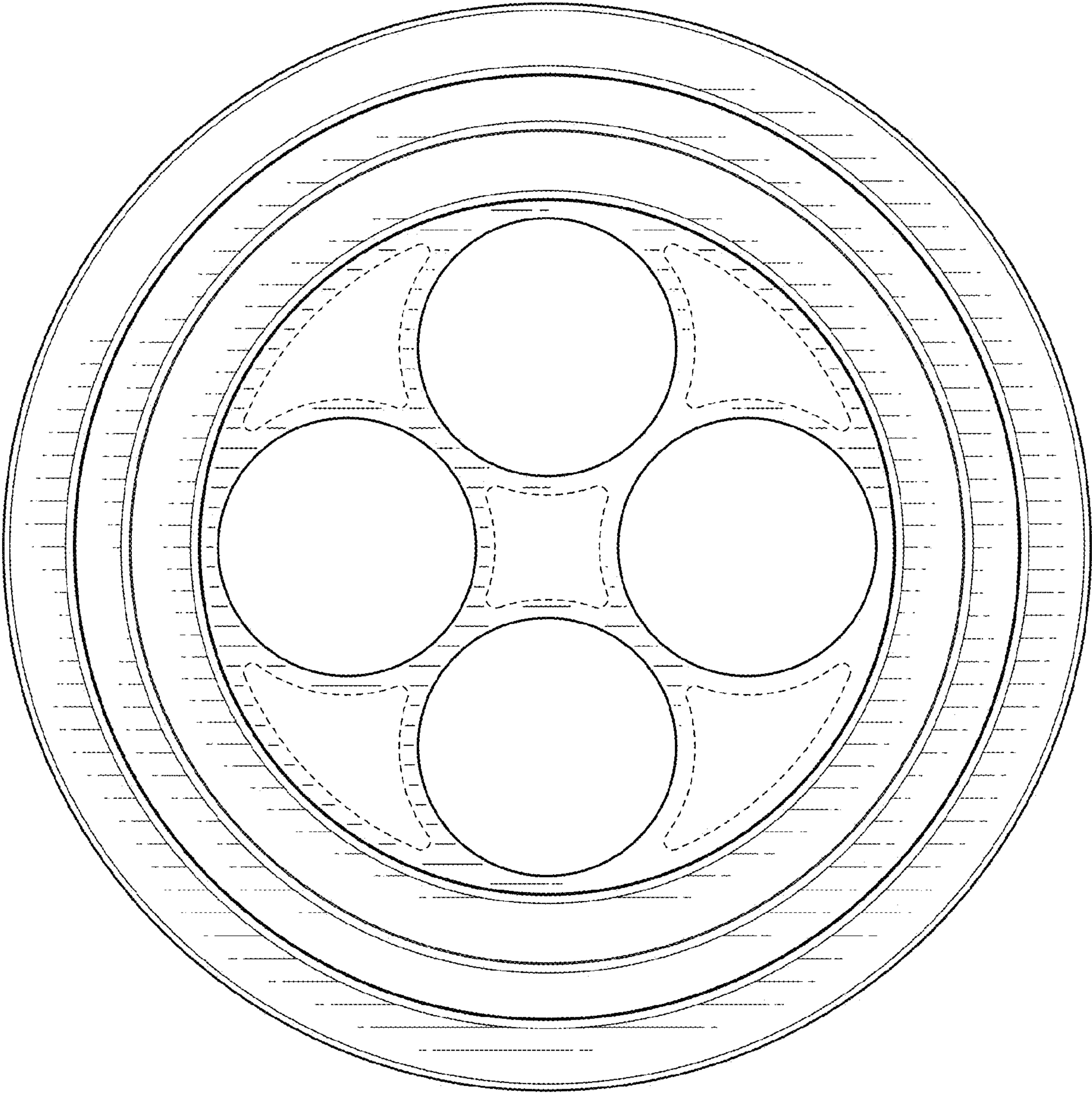


FIG. 3



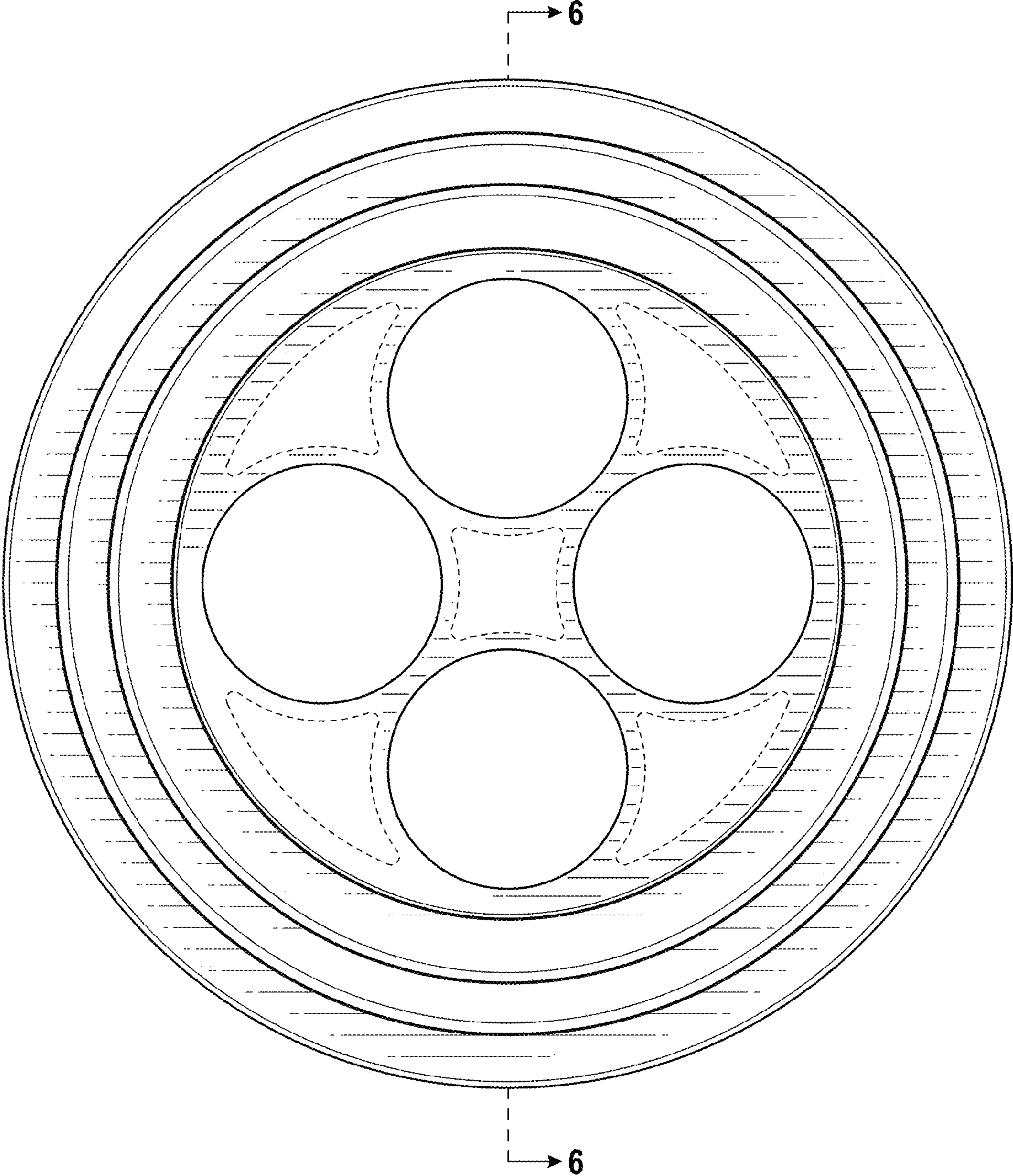


FIG. 4

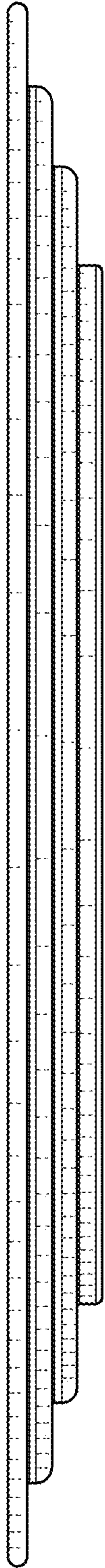


FIG. 5

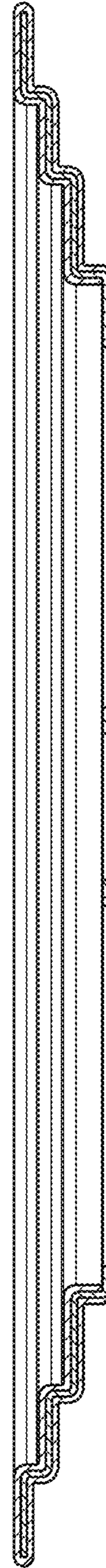


FIG. 6

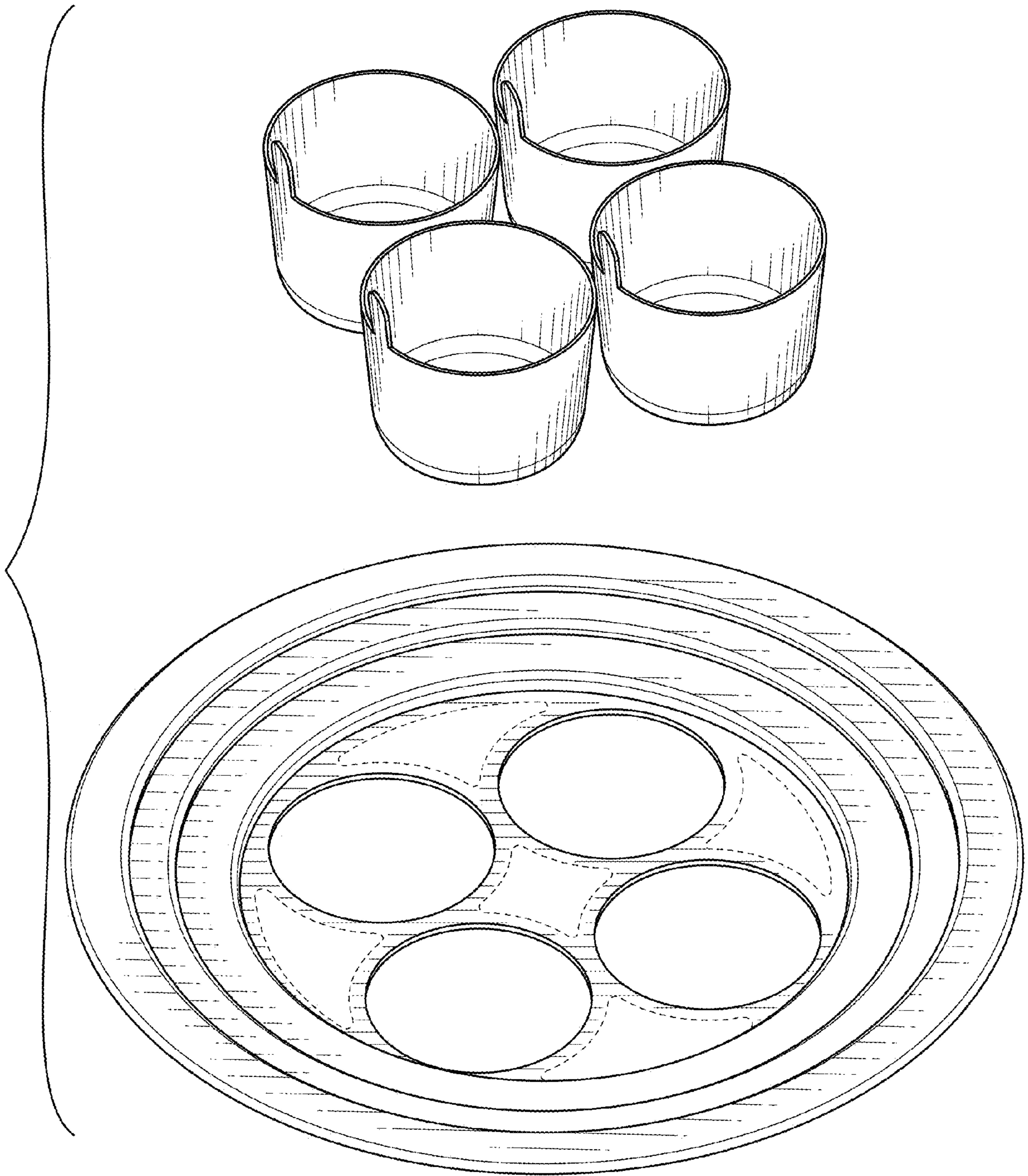


FIG. 7



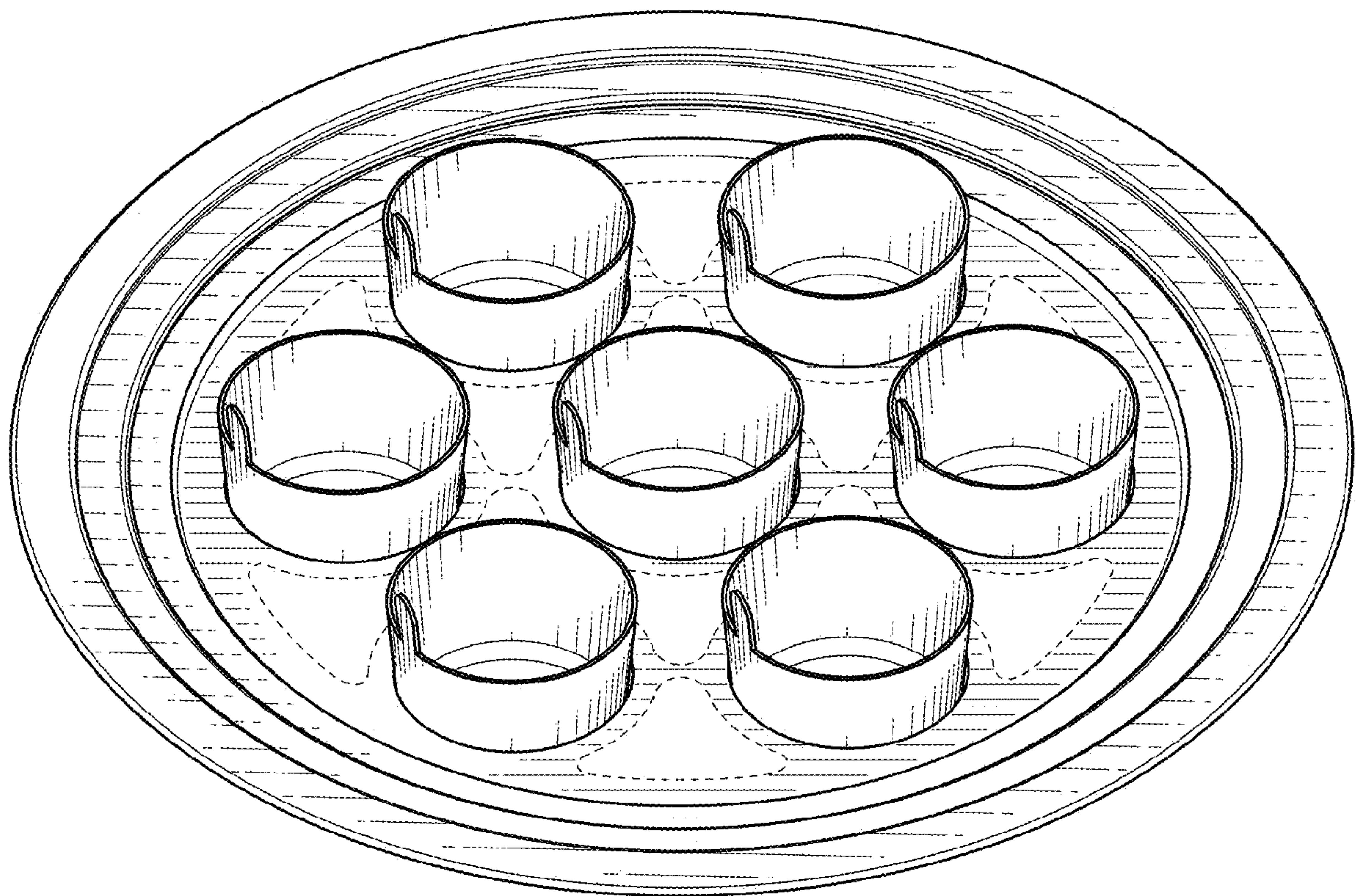


FIG. 8

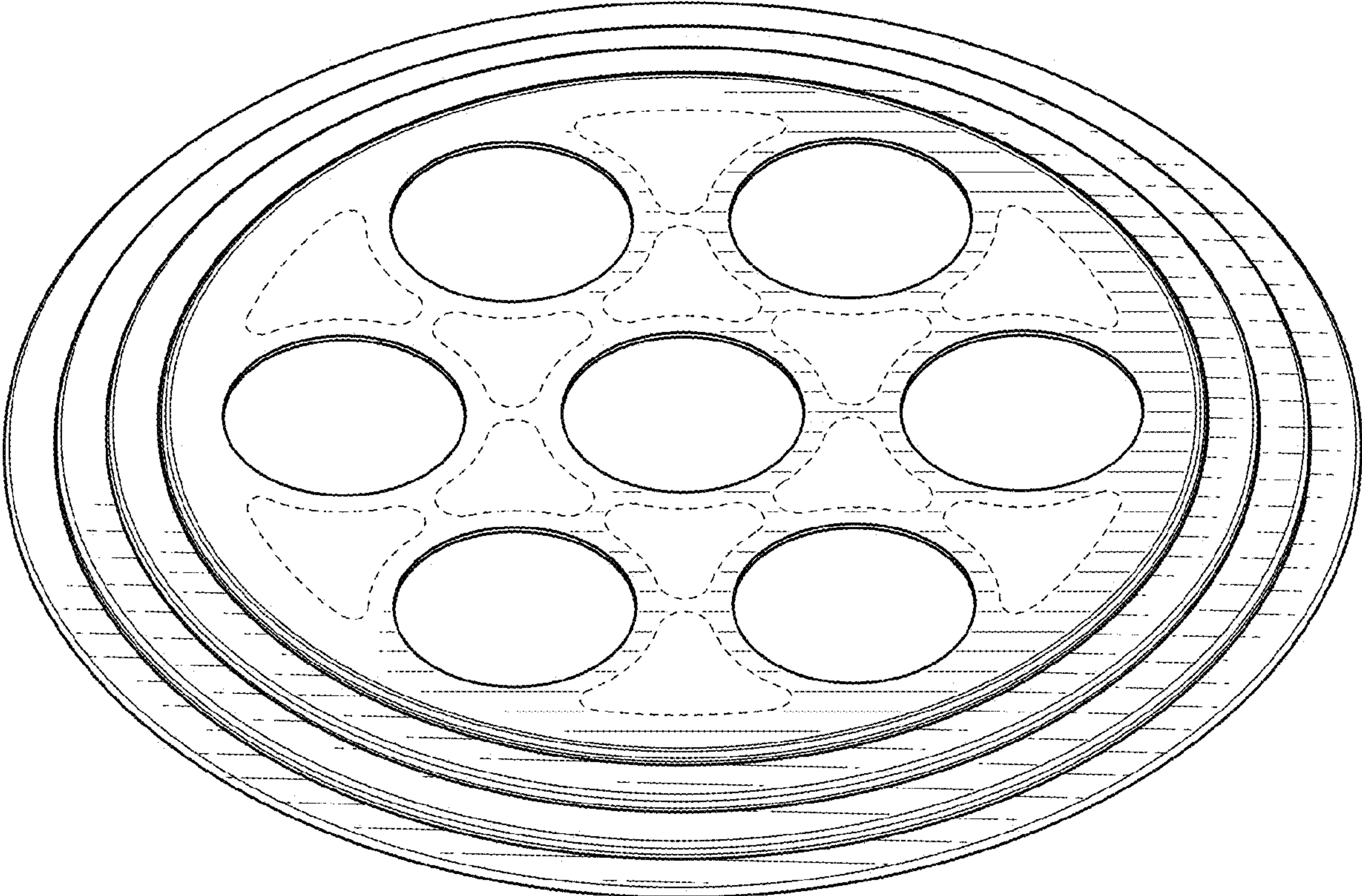


FIG. 9

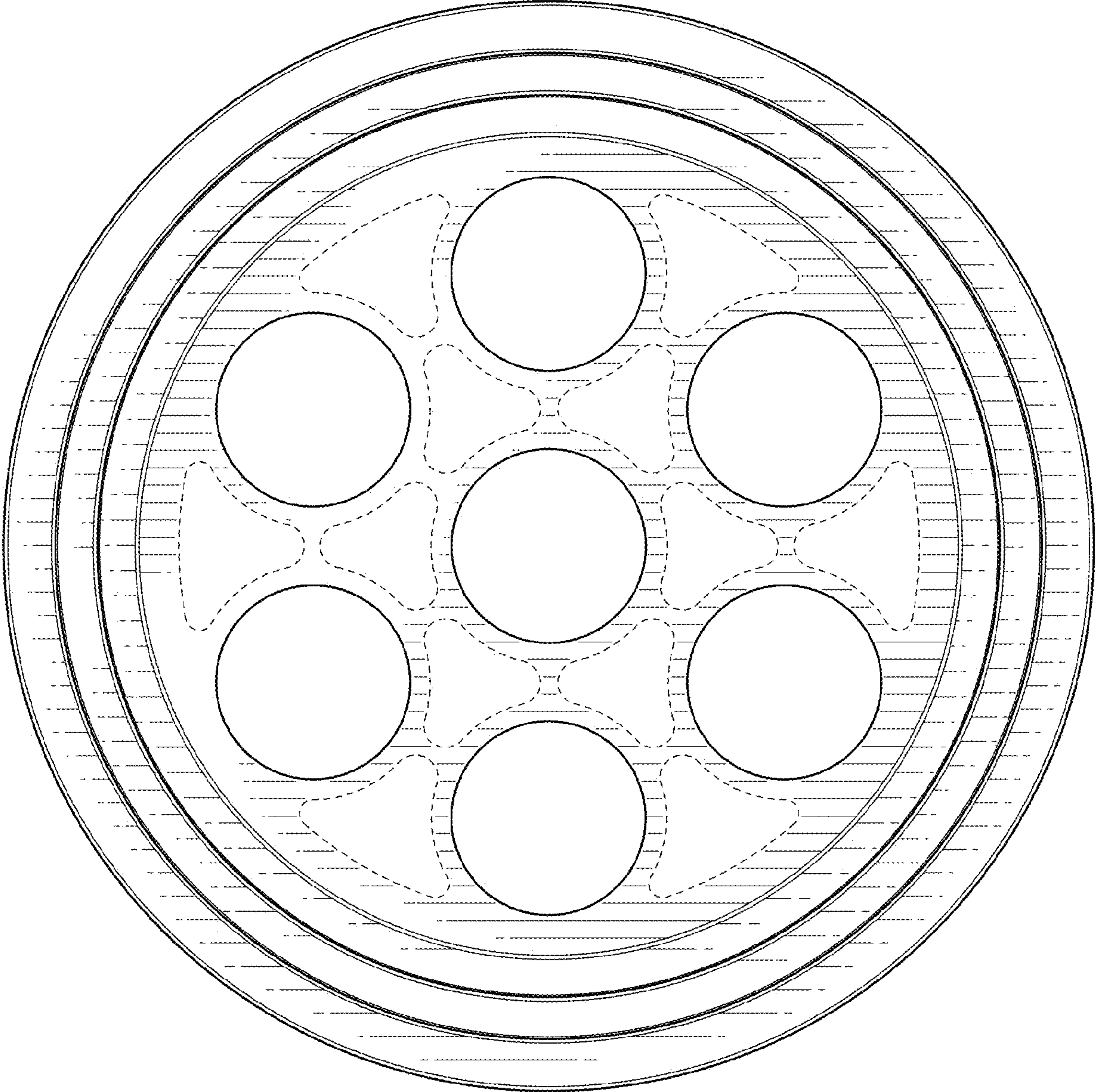


FIG. 10



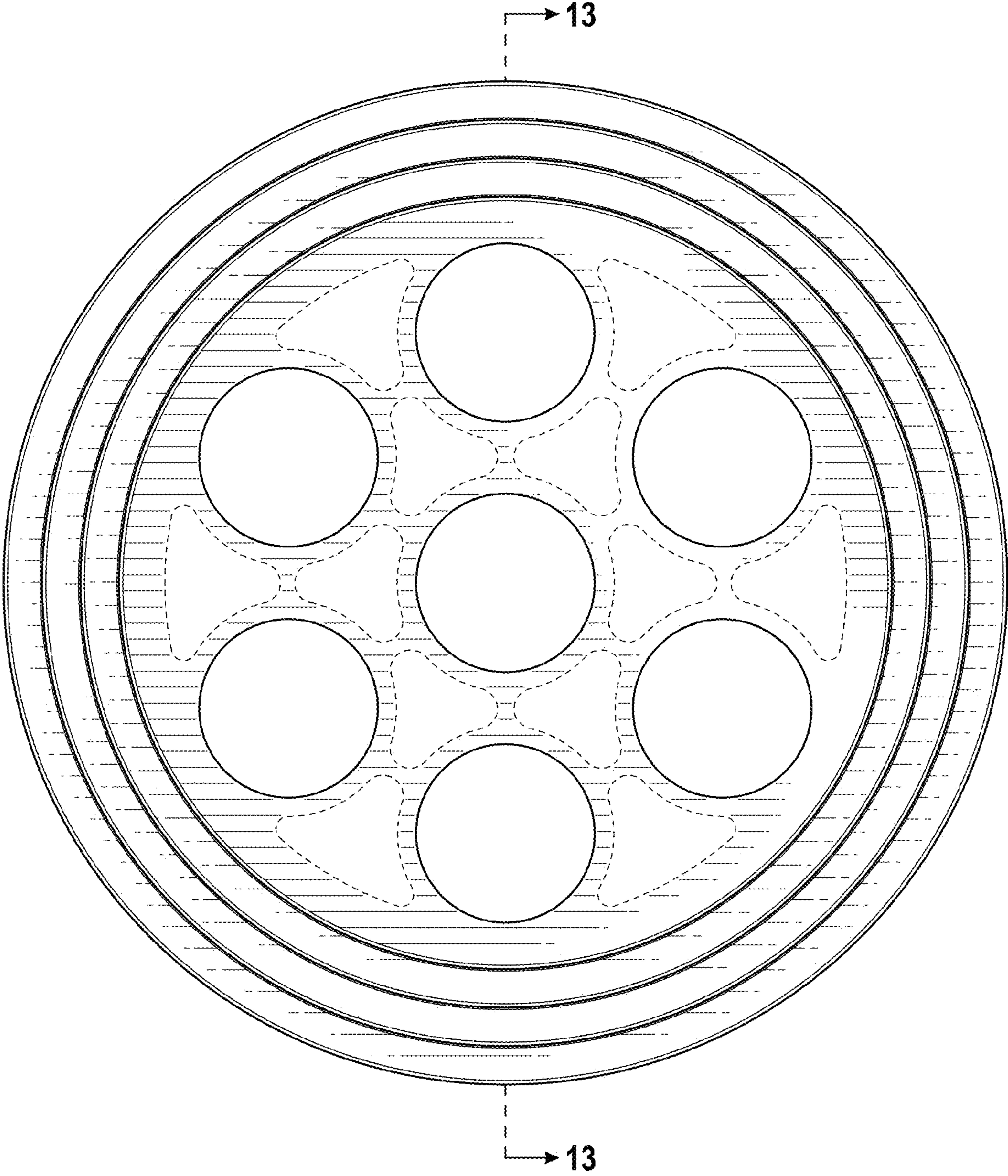


FIG. 11

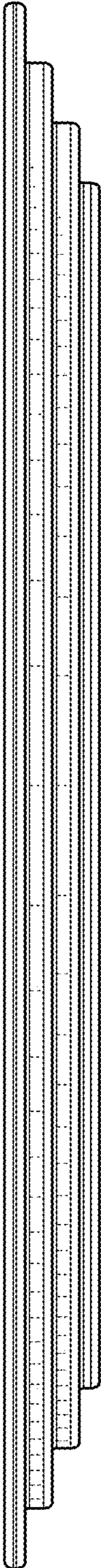


FIG. 12



FIG. 13

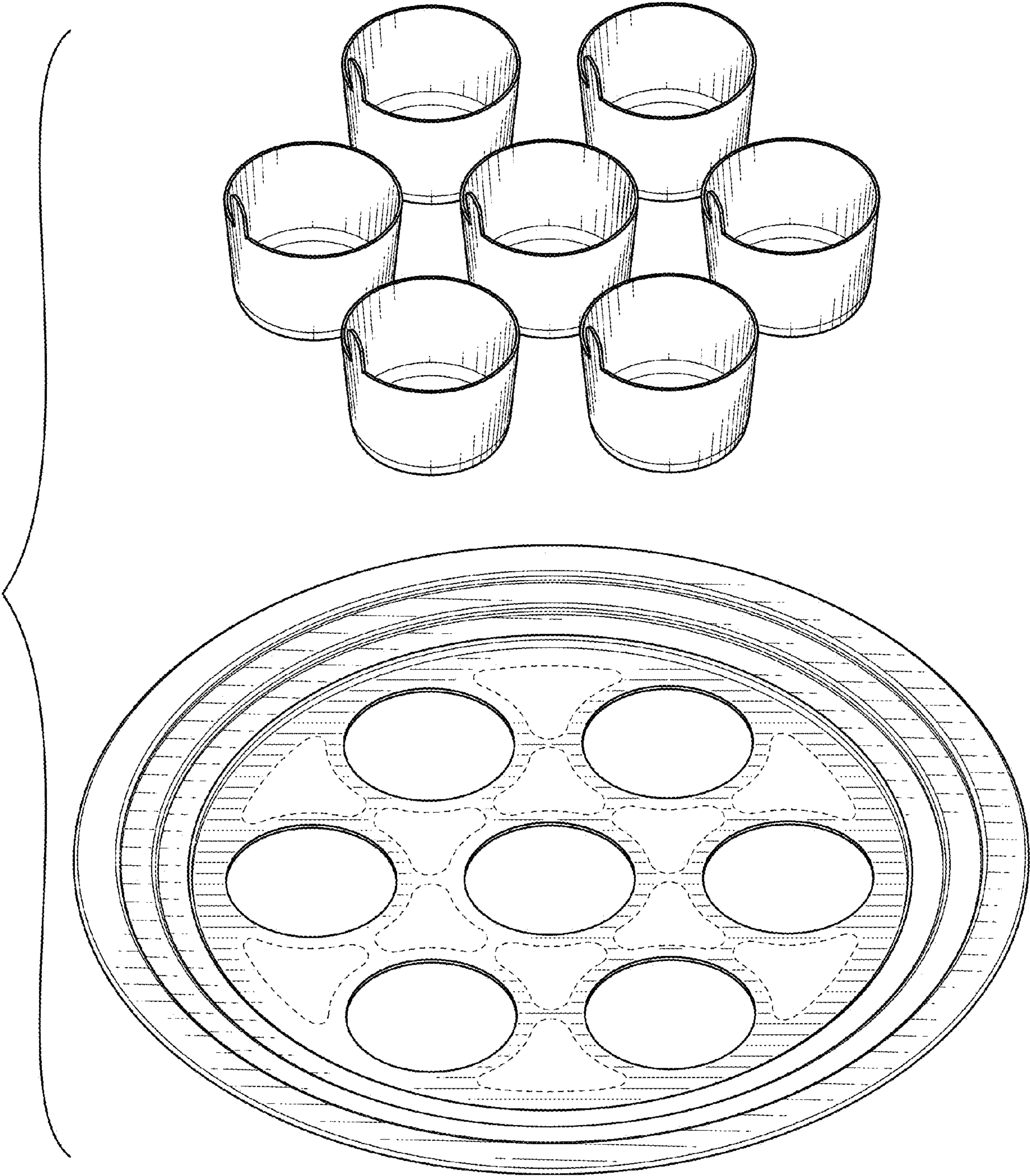


FIG. 14



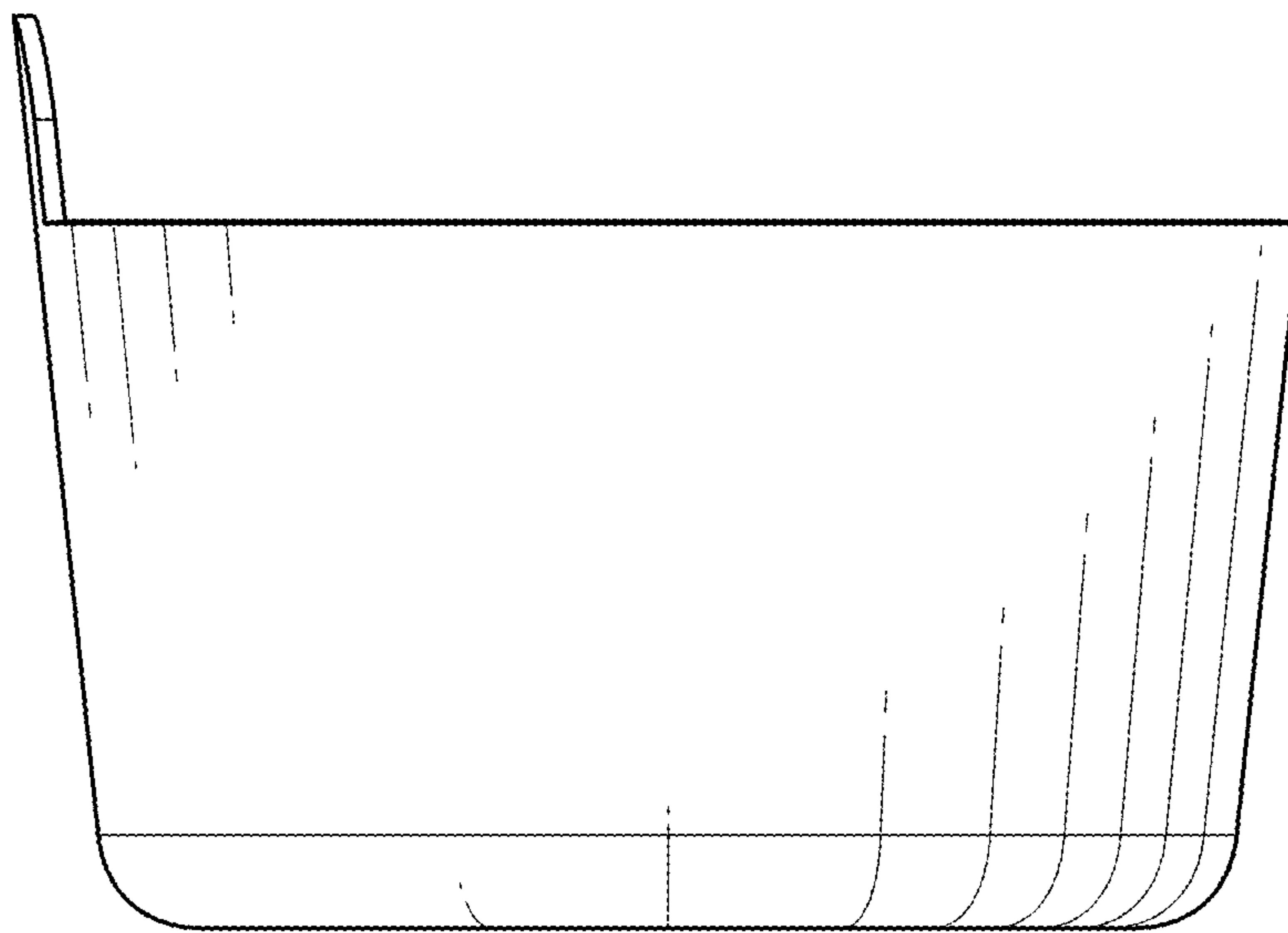


FIG. 15

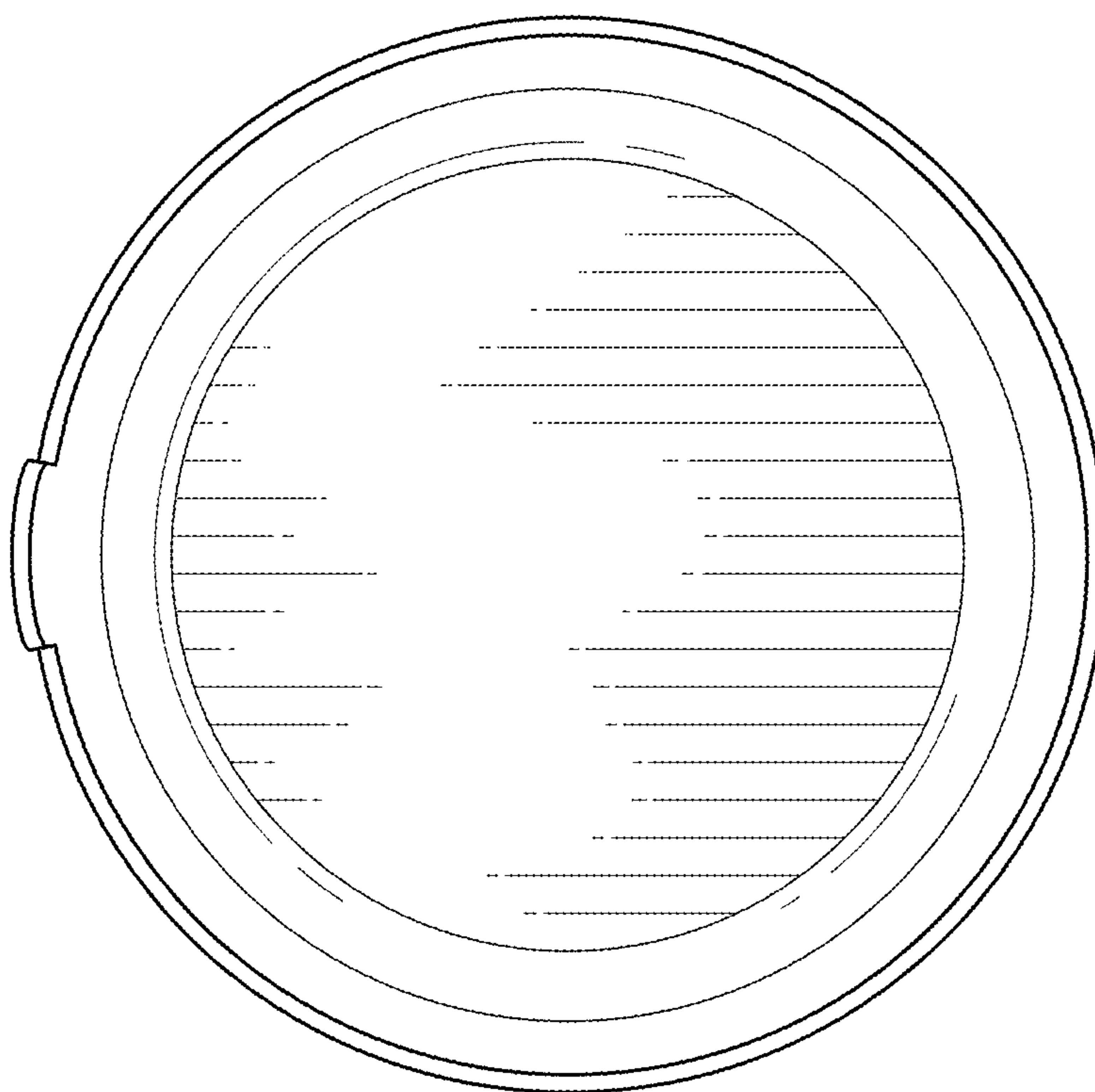


FIG. 16

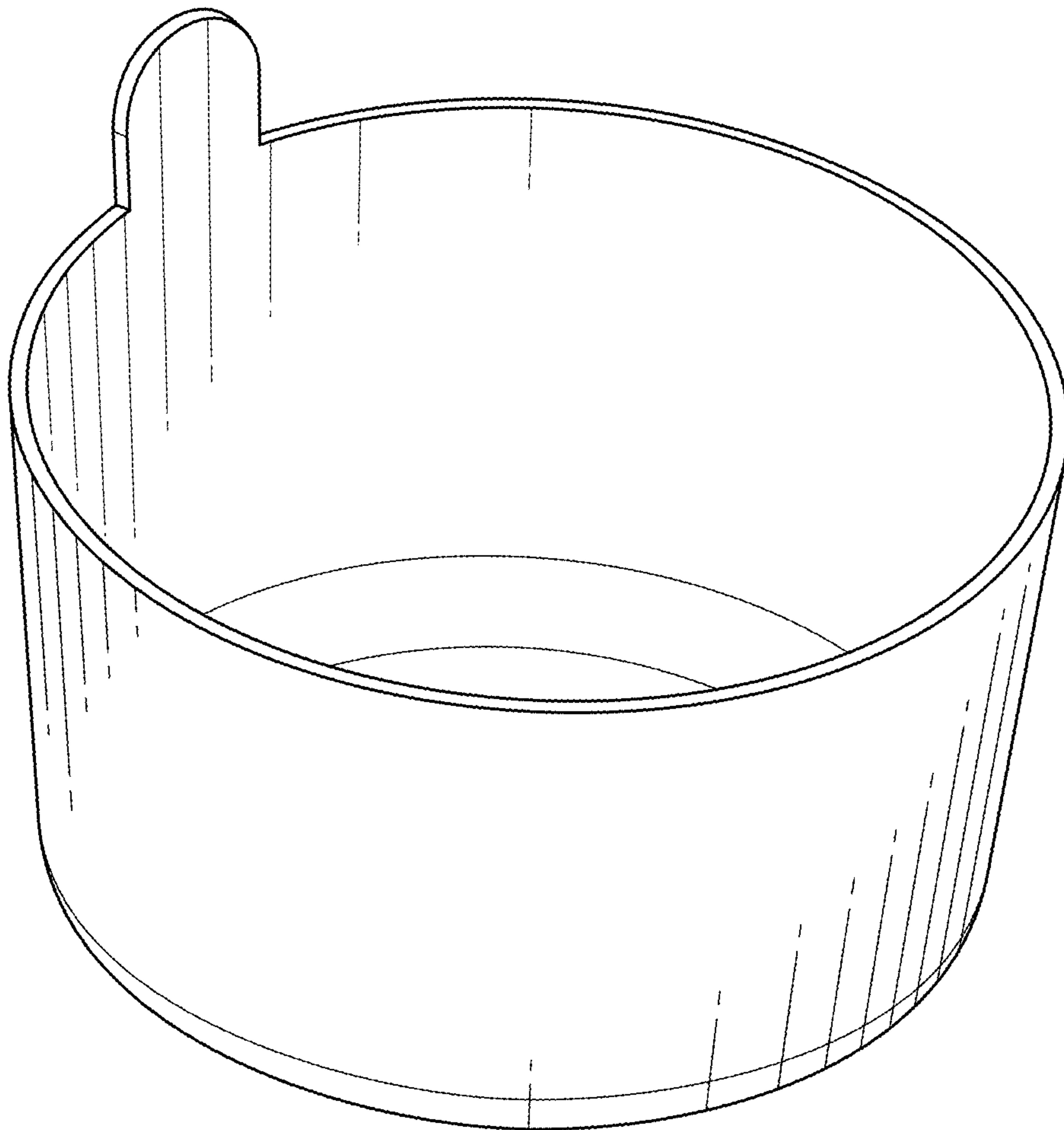


FIG. 17