



US00D910363S

(12) **United States Design Patent** (10) **Patent No.:** **US D910,363 S**
Wong (45) **Date of Patent:** **** Feb. 16, 2021**

(54) **OVEN**
(71) Applicant: **Conair Corporation**, Stamford, CT (US)
(72) Inventor: **Chi Ho Kurt Wong**, Yuen Long (HK)
(**) Term: **15 Years**
(21) Appl. No.: **29/676,811**

D330,144 S * 10/1992 Takebata D7/351
D333,782 S * 3/1993 van Berlo D7/350.4
D380,643 S * 7/1997 Piret D7/350.4
D413,041 S * 8/1999 Lin-Yun D7/350.4
D521,309 S * 5/2006 Carlini D7/350.1
D526,527 S * 8/2006 Jung D7/348
D527,572 S * 9/2006 Lee D7/350.1
D535,141 S * 1/2007 Lee D7/351
D539,072 S * 3/2007 Kawata D7/350.4
D539,593 S * 4/2007 Wang D7/350.4

(Continued)

(22) Filed: **Jan. 15, 2019**
(51) **LOC (13) Cl.** **07-02**
(52) **U.S. Cl.**
USPC **D7/350.4**

FOREIGN PATENT DOCUMENTS

DE 2509157 A1 * 9/1975 H05B 6/6426

(58) **Field of Classification Search**
USPC D7/323, 330, 331, 334, 338, 339, 340, D7/341, 347, 348, 349, 350.1, 350.3, D7/350.4, 351, 362, 363, 364, 365, 390, D7/402-407; D23/314, 322, 323, 329, D23/330, 335, 341; D99/28, 43; D15/122, 138, 141, 144, 199; D8/311, D8/312, 315, 316, 333, 334; D3/203.1; D6/672, 675, 702, 703, 559, 663, 705.5; D21/523, 524, 525, 561
CPC . H05B 6/12; H05B 6/64; H05B 6/806; H05B 6/6426; H05B 6/6412; A21B 1/52; A21B 1/00; A47J 37/00; A47J 37/0763; A47J 37/36; F24C 15/08; F24C 15/2024; F27D 9/00; F27D 2009/0018; F27D 2009/004; F27B 2014/0837; F23D 14/02
See application file for complete search history.

OTHER PUBLICATIONS

Cuisinart Digital Air Fryer and Toaster: Announced Jun. 19, 2017 [online]. Site Visited [Feb. 25, 2020]. Available from Internet URL: https://www.amazon.com/Cuisinart-TOA-65-AirFryer-Toaster-Fryer-6/dp/B07MRG5F4J/ref=cm_cr_arp_d_product_top?ie=UTF8.*

Primary Examiner — Catherine S Posthauer
(74) *Attorney, Agent, or Firm* — McCormick, Paulding & Huber PLLC

(57) **CLAIM**

The ornamental design for an oven, substantially as shown and described.

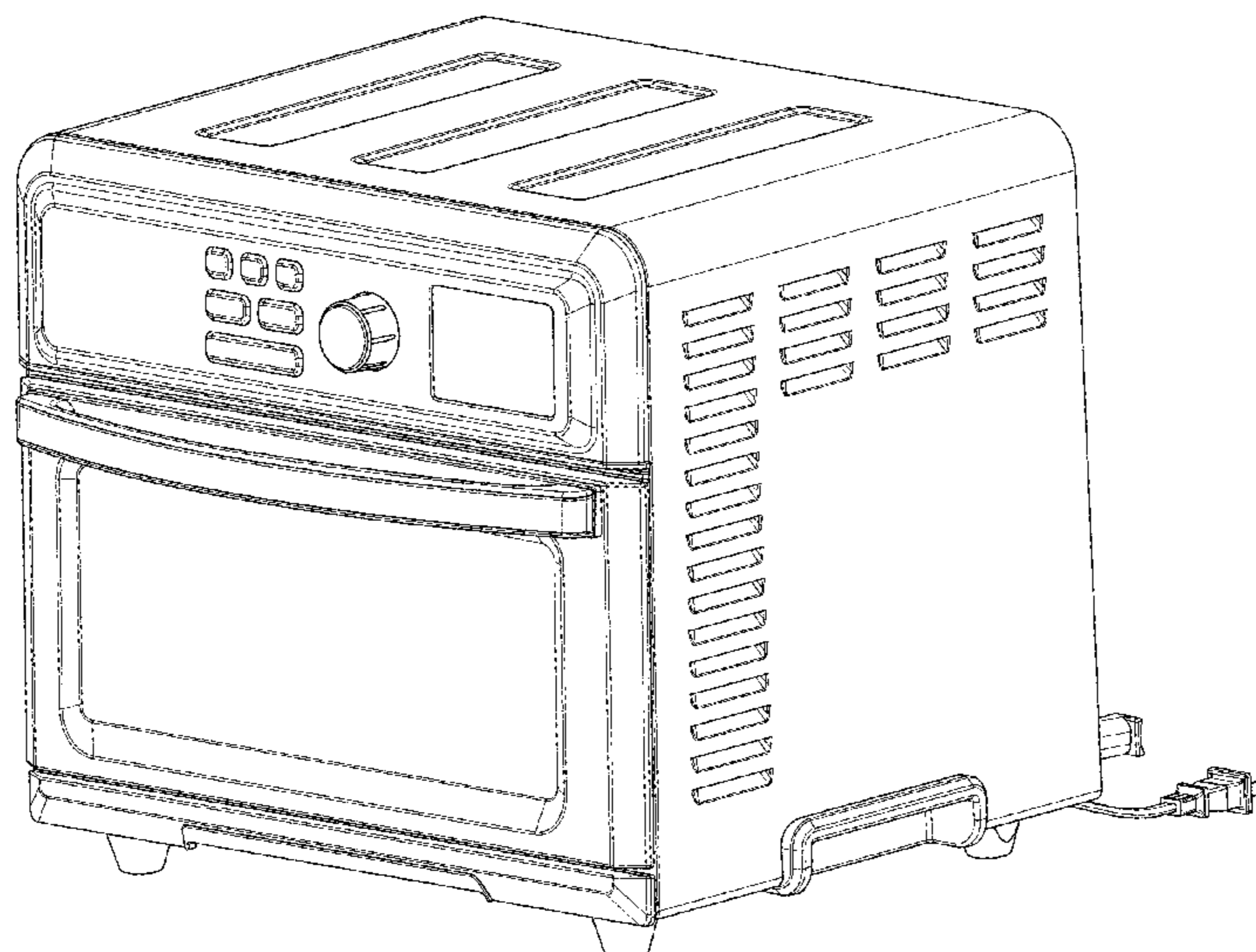
DESCRIPTION

FIG. 1 is a front, right side and top perspective view of an oven, showing my new design;
FIG. 2 is a front side view thereof;
FIG. 3 is a left side view thereof;
FIG. 4 is a right side view thereof;
FIG. 5 is a rear view thereof;
FIG. 6 is a top view thereof; and,
FIG. 7 is a bottom view thereof.
The broken lines depict portions of the oven that form no part of the claimed design.

(56) **References Cited**
U.S. PATENT DOCUMENTS

3,997,752 A * 12/1976 Nakano F24C 7/082
219/720
D260,104 S * 8/1981 Klawitter D21/524
D275,546 S * 9/1984 Tanaka D7/351
D297,296 S * 8/1988 Feil D7/350.4
D303,691 S * 9/1989 Wehmeyer D21/524
D329,353 S * 9/1992 Yamada D7/351

1 Claim, 7 Drawing Sheets



(56)

References Cited

U.S. PATENT DOCUMENTS

D579,270	S	*	10/2008	Green	D7/405
D580,698	S	*	11/2008	Kim	D7/348
D646,112	S	*	10/2011	Park	D7/348
D646,113	S	*	10/2011	Park	D7/348
D655,970	S	*	3/2012	De' Longhi	D7/351
D662,759	S	*	7/2012	Blacken	D7/328
D663,993	S	*	7/2012	Prevete	D7/330
D664,388	S	*	7/2012	Park	D7/348
D670,529	S	*	11/2012	Hensel	D7/350.1
D673,000	S	*	12/2012	De' Longhi	D7/350.1
D678,711	S	*	3/2013	Reiner	D7/350.1
D690,994	S	*	10/2013	Baek	D7/405
D707,071	S	*	6/2014	Gort-Barten	D7/330
D708,005	S	*	7/2014	Kurt	D7/350.4
D722,468	S	*	2/2015	Yamamoto	D7/351
D762,081	S	*	7/2016	Minvielle	D7/350.1
D815,485	S	*	4/2018	Suehiro	D7/350.1
D839,039	S	*	1/2019	Marsh-Croft	D7/350.1
D842,639	S	*	3/2019	Yuan	D7/350.1
D848,197	S	*	5/2019	Wong	D7/350.4

* cited by examiner

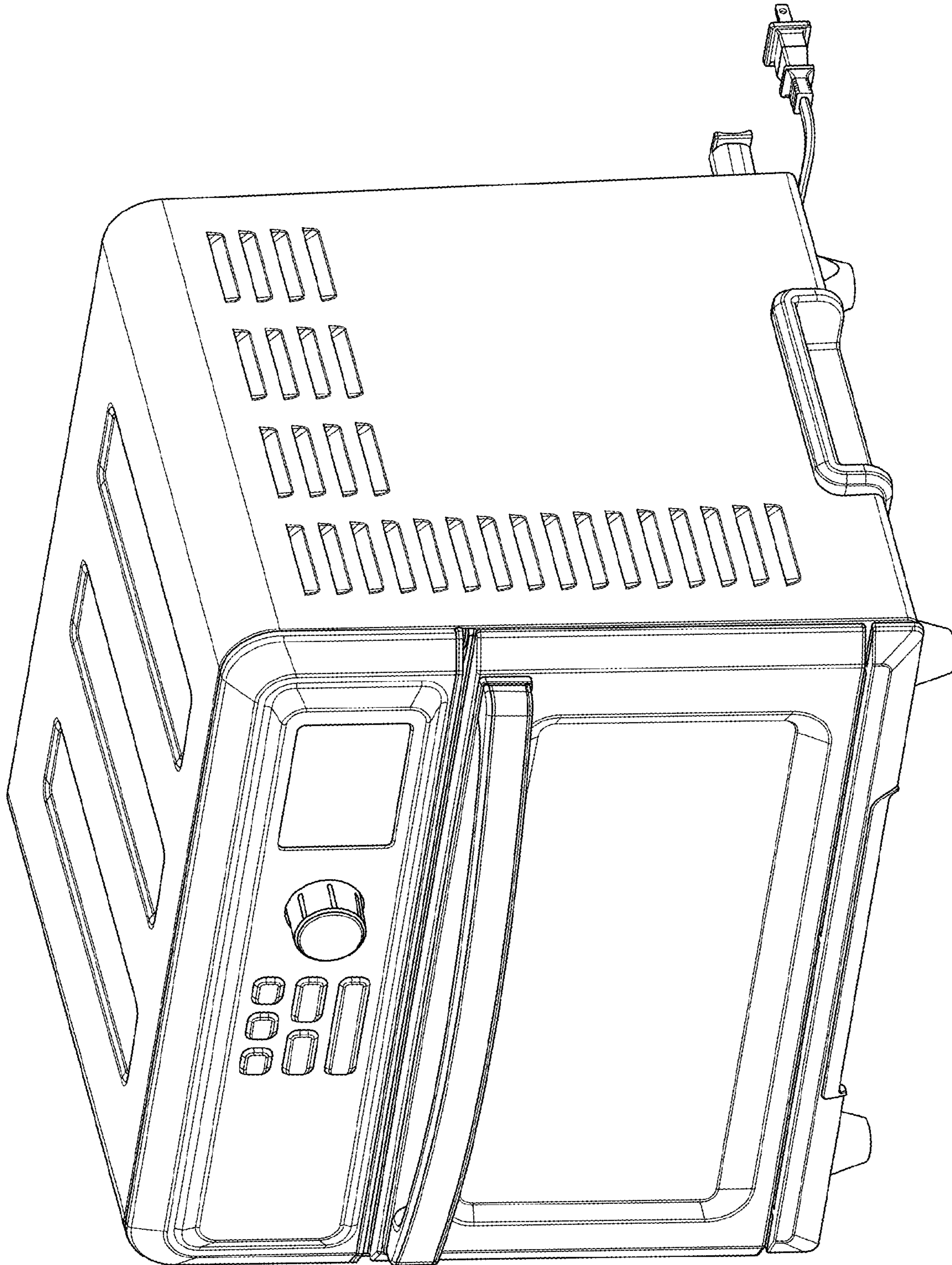


FIG. 1

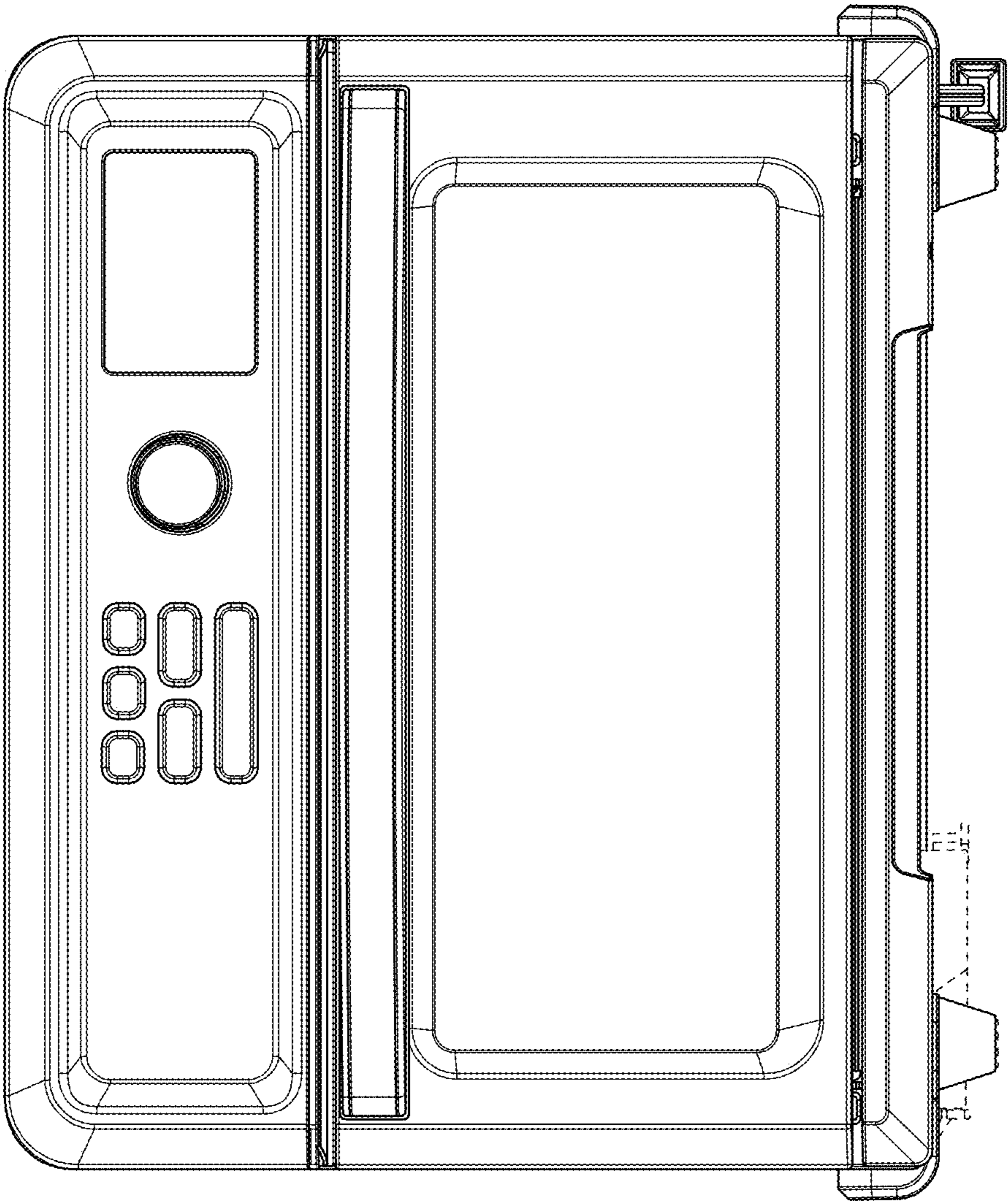


FIG. 2

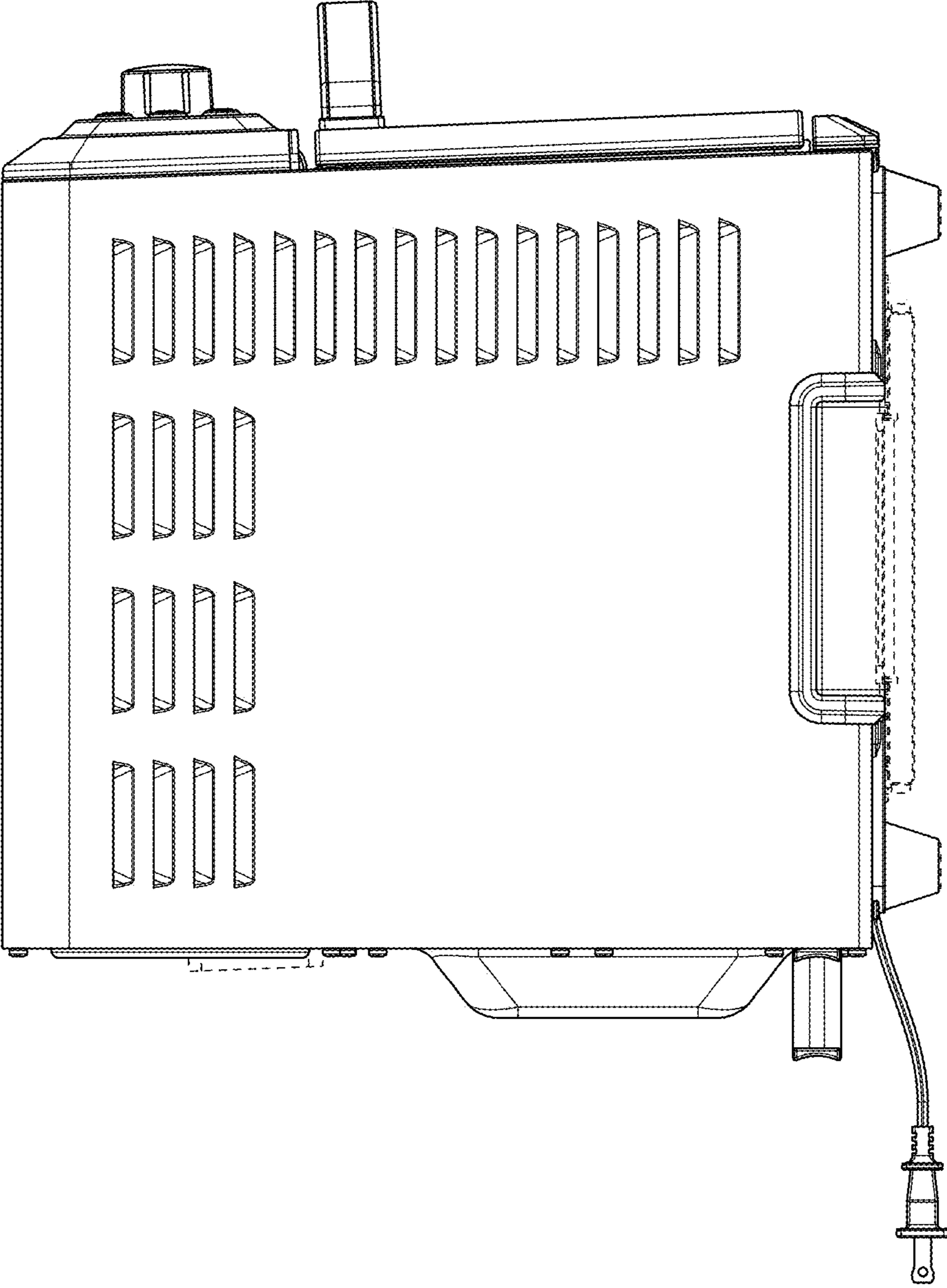


FIG. 3

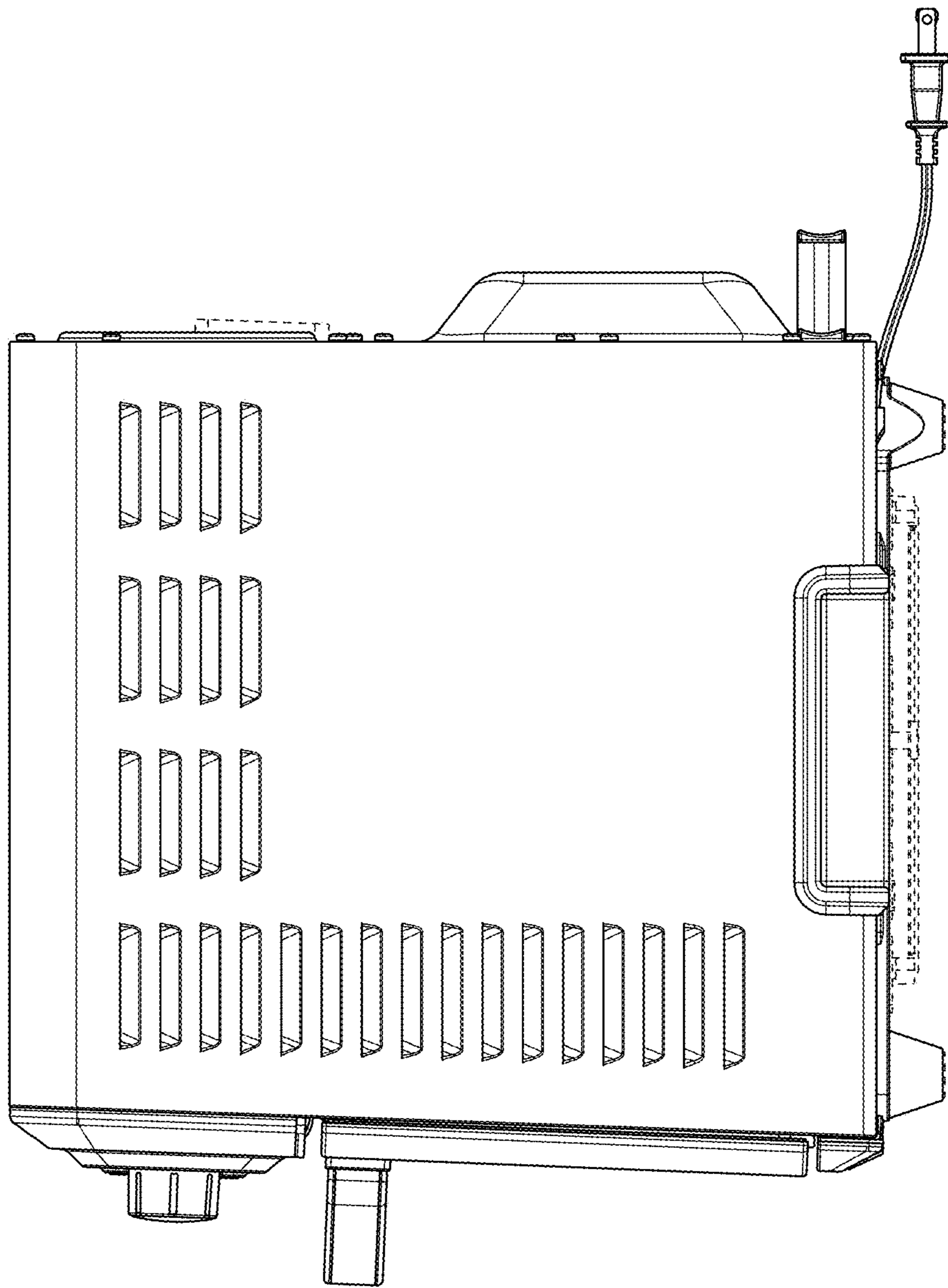


FIG. 4

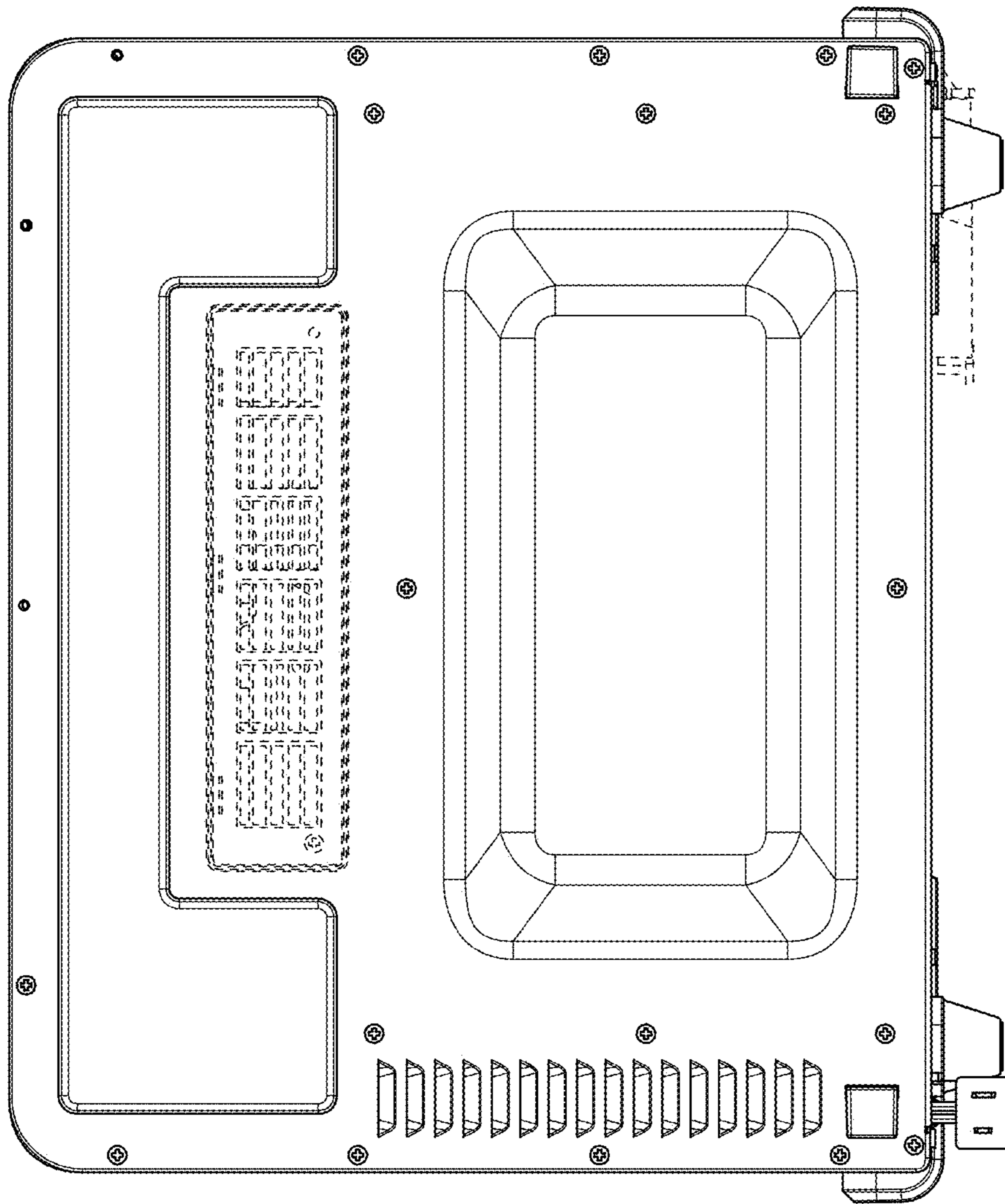


FIG. 5

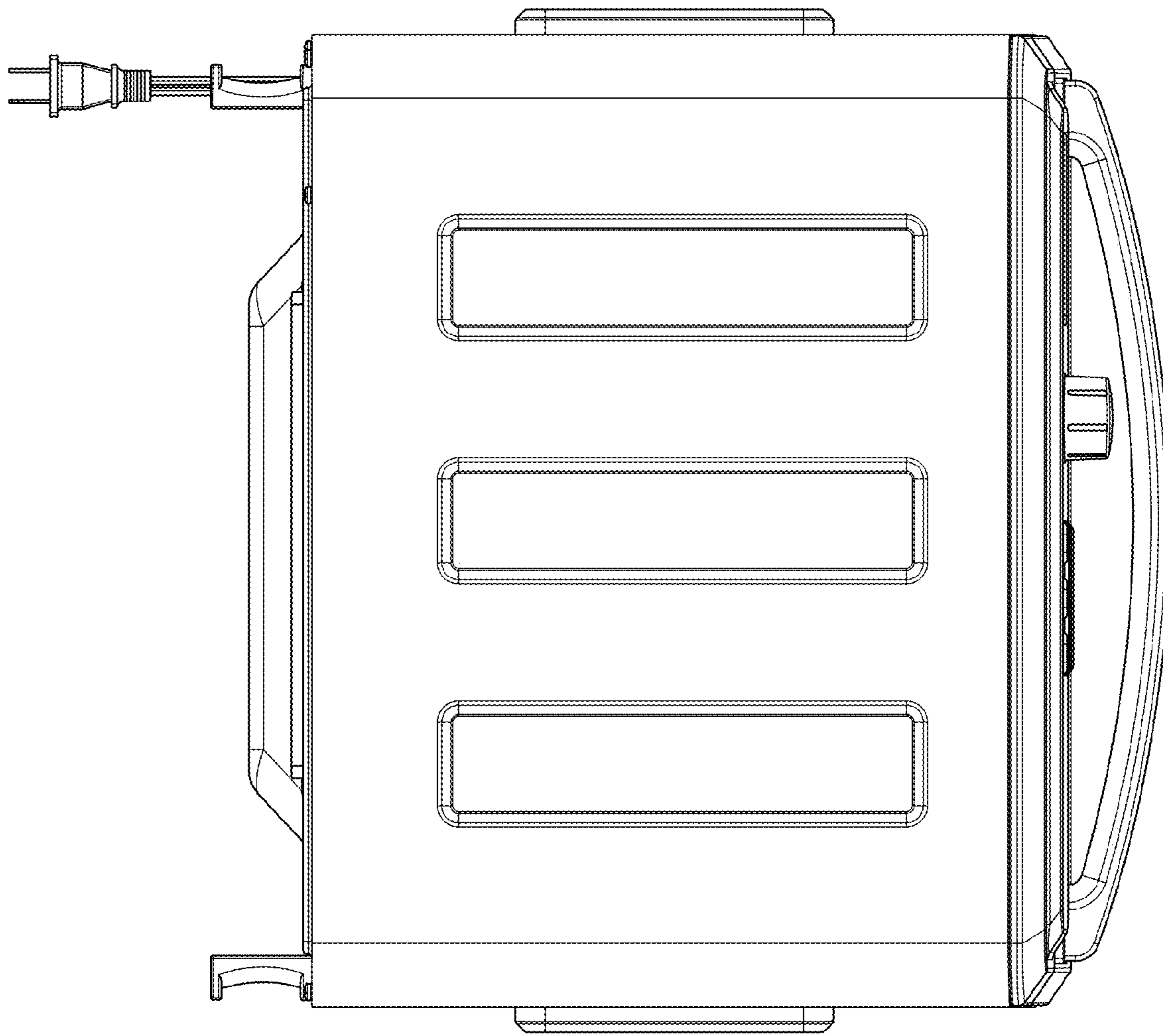


FIG. 6

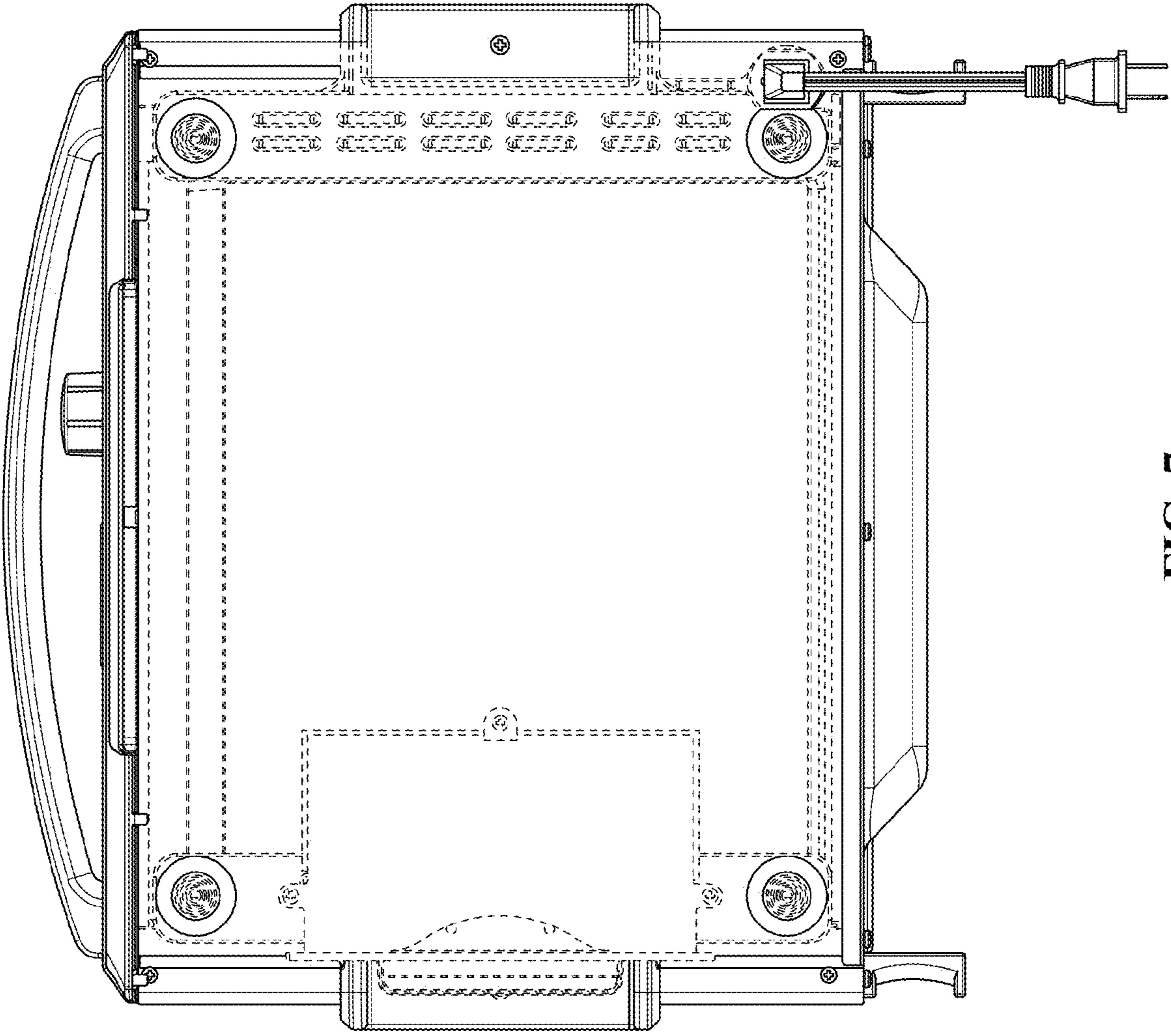


FIG. 7