



US00D910362S

(12) **United States Design Patent**  
**Li et al.**

(10) **Patent No.:** **US D910,362 S**  
(45) **Date of Patent:** **\*\* Feb. 16, 2021**

(54) **OVEN**  
(71) Applicant: **BEIJING XIAOMI MOBILE SOFTWARE CO., LTD.**, Beijing (CN)  
(72) Inventors: **Ningning Li**, Beijing (CN); **Bo Xu**, Beijing (CN); **Wenling Huang**, Beijing (CN)  
(73) Assignee: **BEIJING XIAOMI MOBILE SOFTWARE CO., LTD.**, Beijing (CN)

D235,838 S \* 7/1975 Suganoya et al. .... D7/351  
D304,411 S \* 11/1989 Yoo ..... D7/351  
D521,799 S \* 5/2006 Ledingham ..... D7/350.1  
D639,104 S \* 6/2011 Duncan ..... D7/350.1  
D673,000 S \* 12/2012 De' Longhi ..... D7/350.1  
D724,890 S \* 3/2015 Molnar ..... D7/350.1  
D788,514 S \* 6/2017 Bock ..... D7/350.1  
D819,386 S \* 6/2018 Gushwa ..... D7/328

(\*\*) Term: **15 Years**  
(21) Appl. No.: **35/507,889**  
(22) Filed: **Aug. 28, 2019**

(80) **Hague Agreement Data**  
Int. Filing Date: **Aug. 28, 2019**  
Int. Reg. No.: **DM/204299**  
Int. Reg. Date: **Aug. 28, 2019**  
Int. Reg. Pub. Date: **Nov. 29, 2019**

(30) **Foreign Application Priority Data**  
Mar. 1, 2019 (CN) ..... 201930082359.1  
(51) **LOC (13) Cl.** ..... **07-02**  
(52) **U.S. Cl.**  
USPC ..... **D7/350.1**  
(58) **Field of Classification Search**  
USPC ..... D7/323, 339, 347, 348, 349, 350.1,  
D7/350.3, 351, 405  
CPC .. H05B 1/0261; H05B 1/0263; H05B 1/0266;  
F24C 3/00; F24C 3/002; F24C 3/008;  
F24C 5/00; F24C 7/00; F24C 15/02;  
F24C 15/024  
See application file for complete search history.

(56) **References Cited**  
U.S. PATENT DOCUMENTS

D228,607 S \* 10/1973 Binzer et al. .... D7/351  
D235,408 S \* 6/1975 Suganoya et al. .... D7/351

**OTHER PUBLICATIONS**

Japanese Office Action corresponding to Japanese Application No. 2019-501250 dated Sep. 18, 2020.  
Guang Long, "Family Outlook:14/17/21/25/28/32LITERS Oven," Catalog 1-11D29001210. p. 17, published in Japan.

\* cited by examiner

*Primary Examiner* — Robert M. Spear  
(74) *Attorney, Agent, or Firm* — Dickinson Wright PLLC

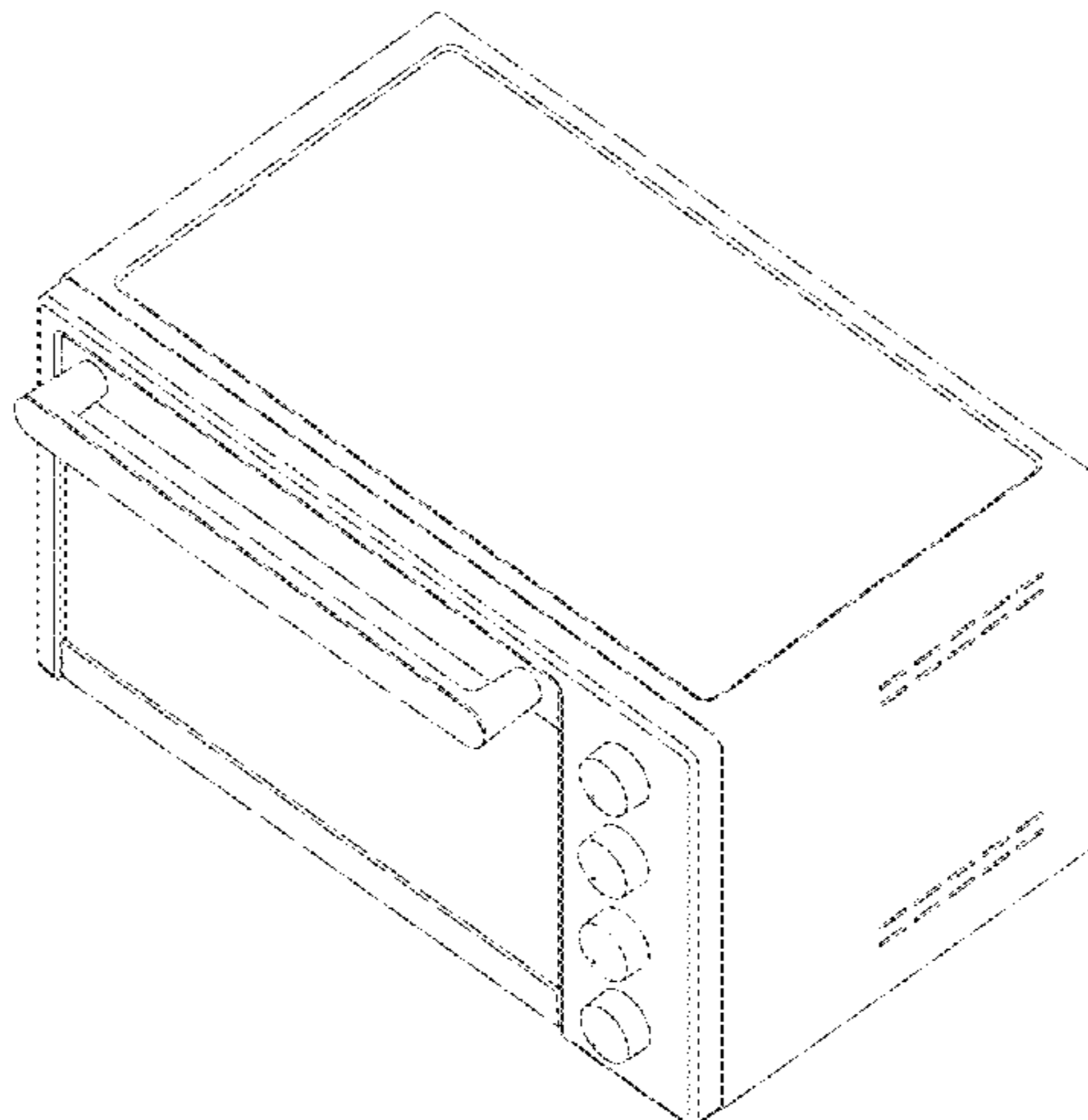
(57) **CLAIM**

The ornamental design for an oven, as shown and described.

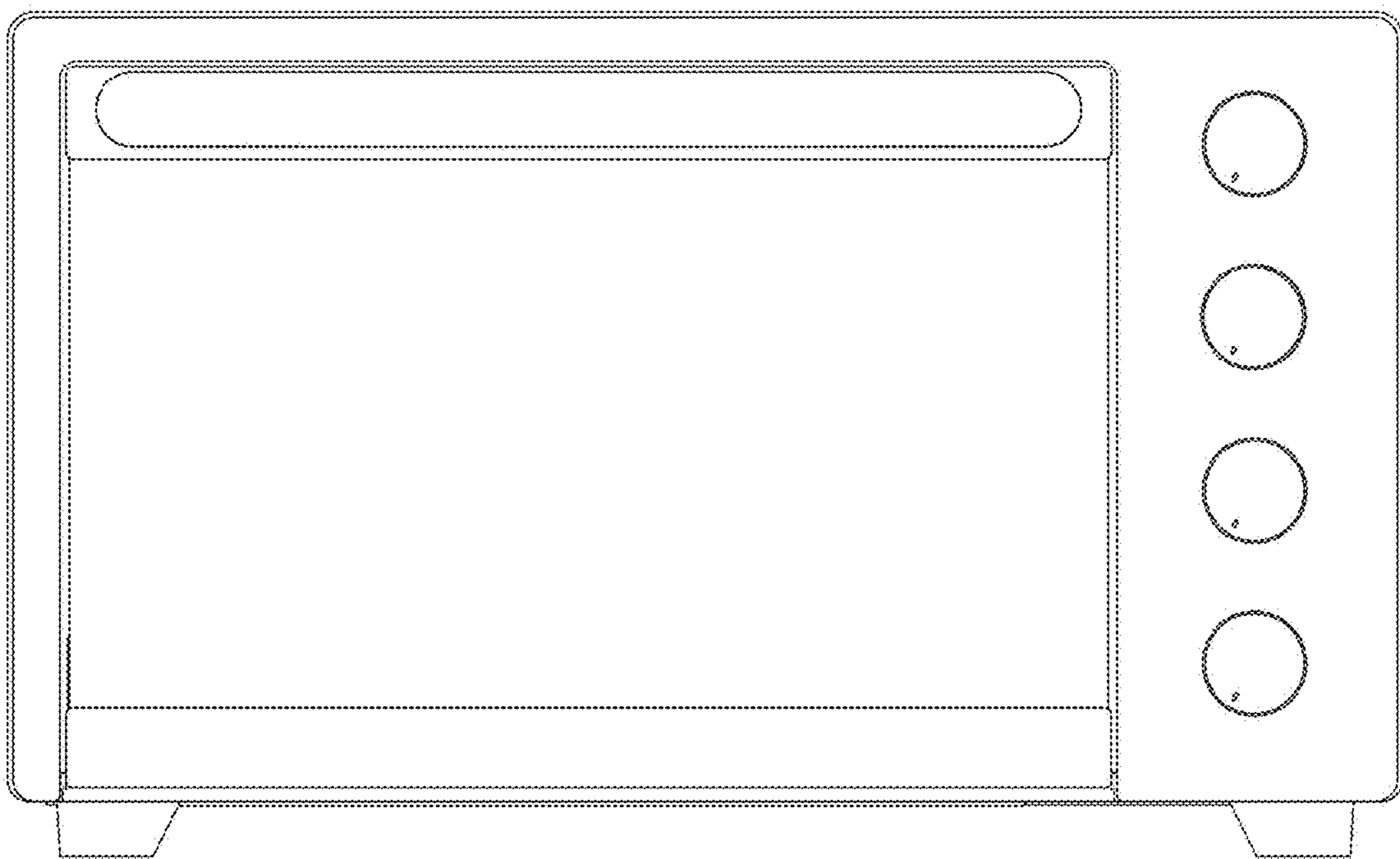
**DESCRIPTION**

1. Oven  
**1.1** : Front  
**1.2** : Back  
**1.3** : Left  
**1.4** : Top  
**1.5** : Bottom  
**1.6** : Perspective  
**1.7** : Perspective  
**1.1** is a front elevation view of an oven showing our new design; **1.2** is a back elevation view thereof; **1.3** is a left side elevation view thereof; **1.4** is a top plan view thereof; **1.5** is a bottom plan view thereof; **1.6** is a perspective view thereof; and **1.7** is another perspective view thereof; besides, the oven incorporating the new design is mainly used for baking food.

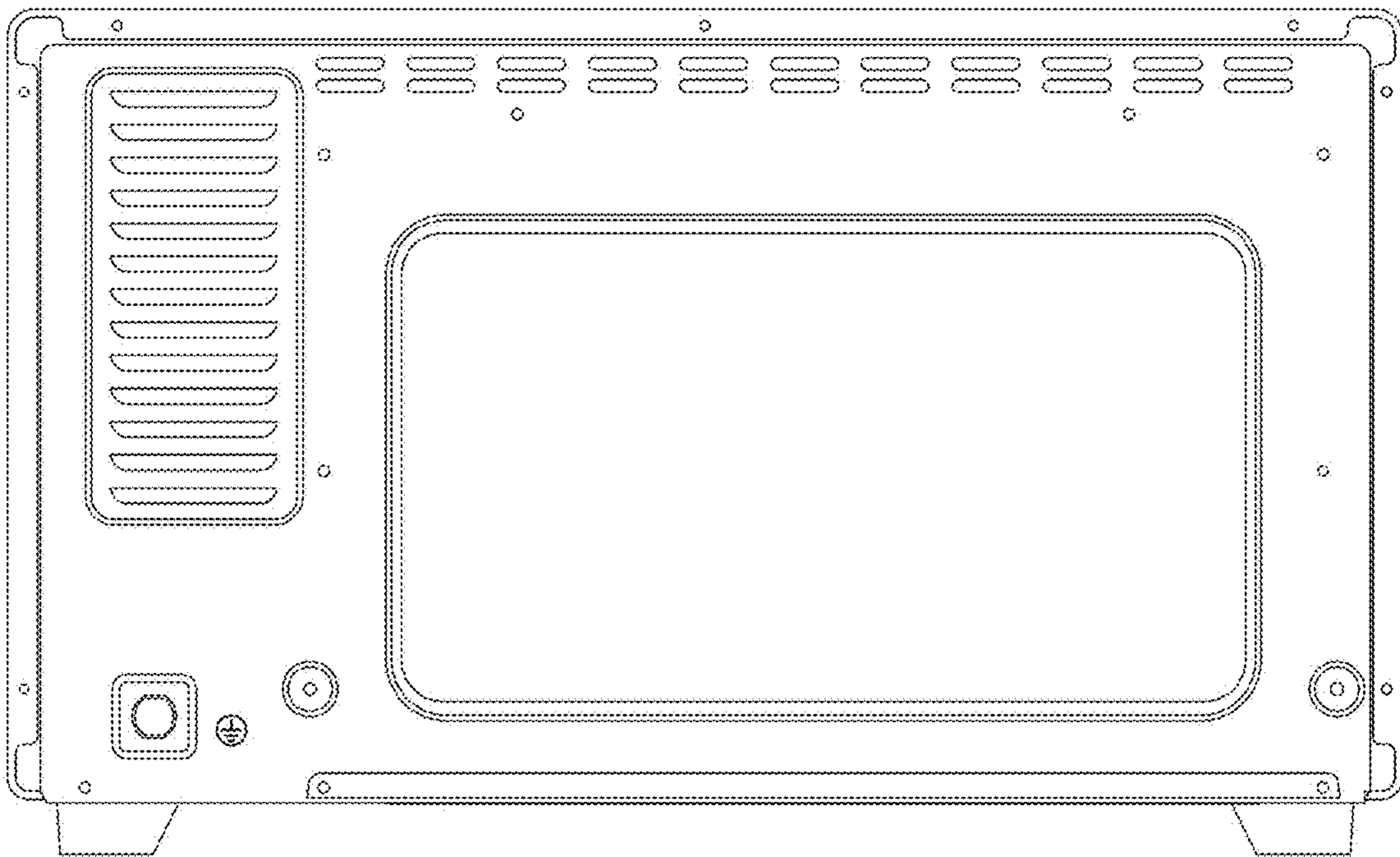
**1 Claim, 7 Drawing Sheets**



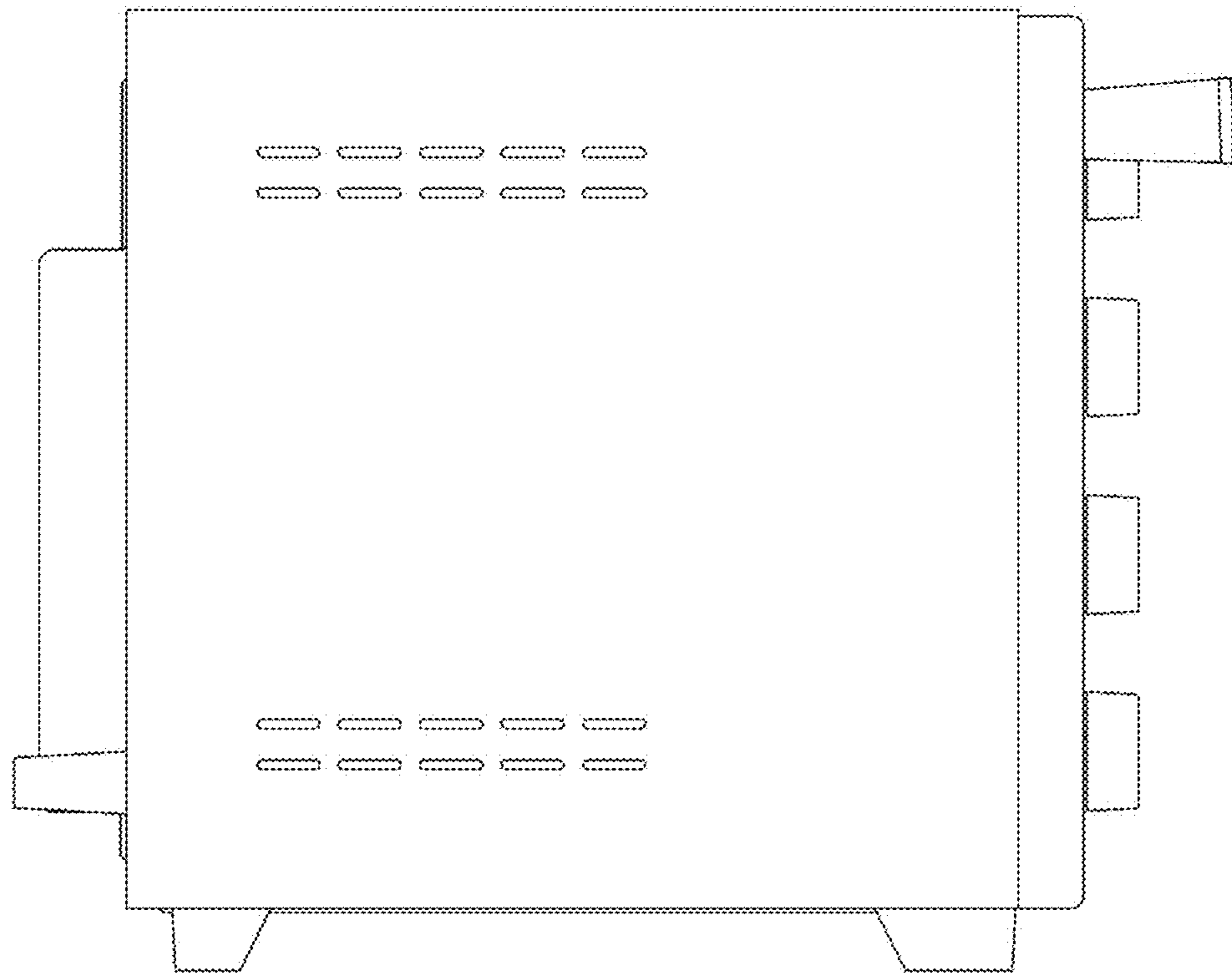
1.1



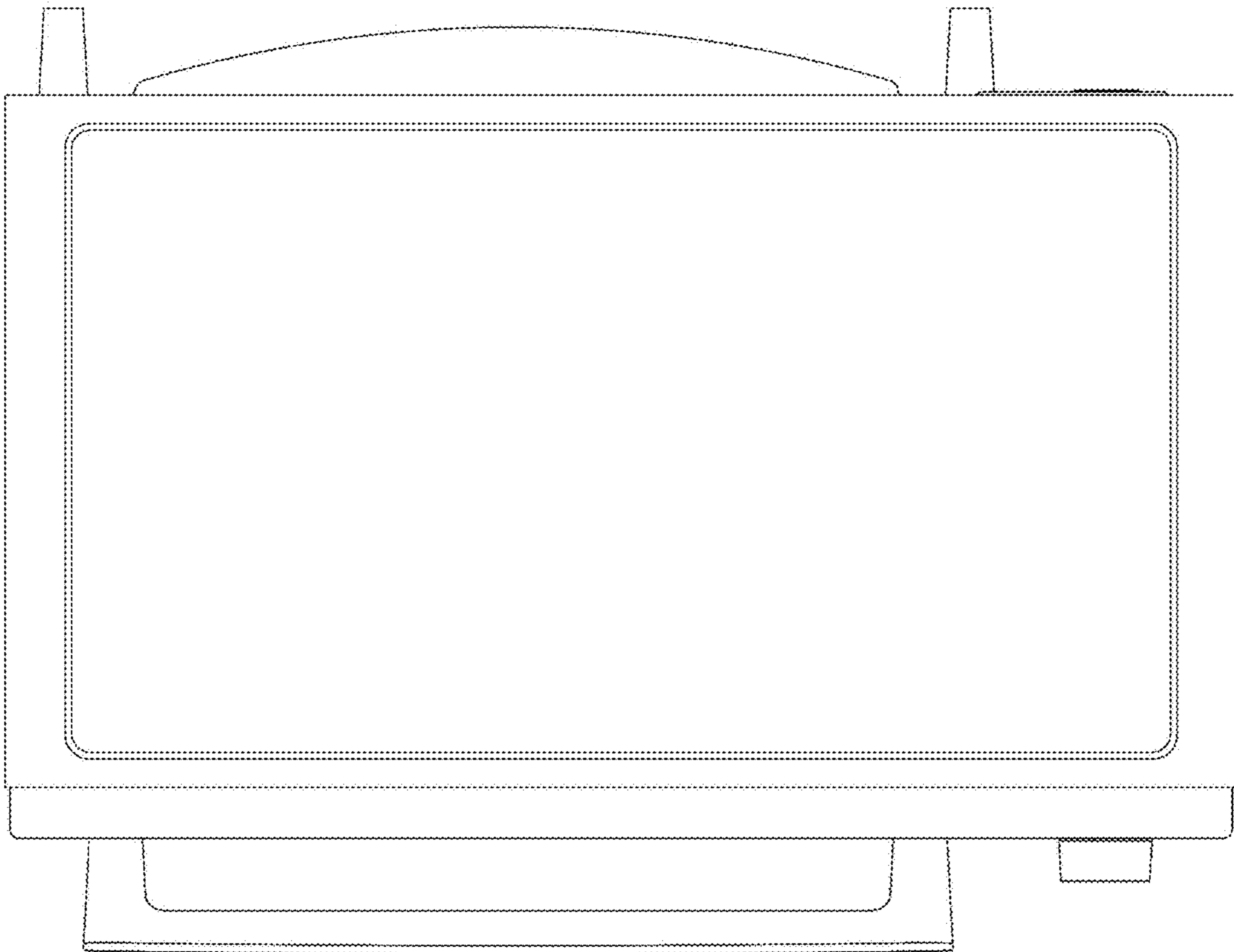
1.2



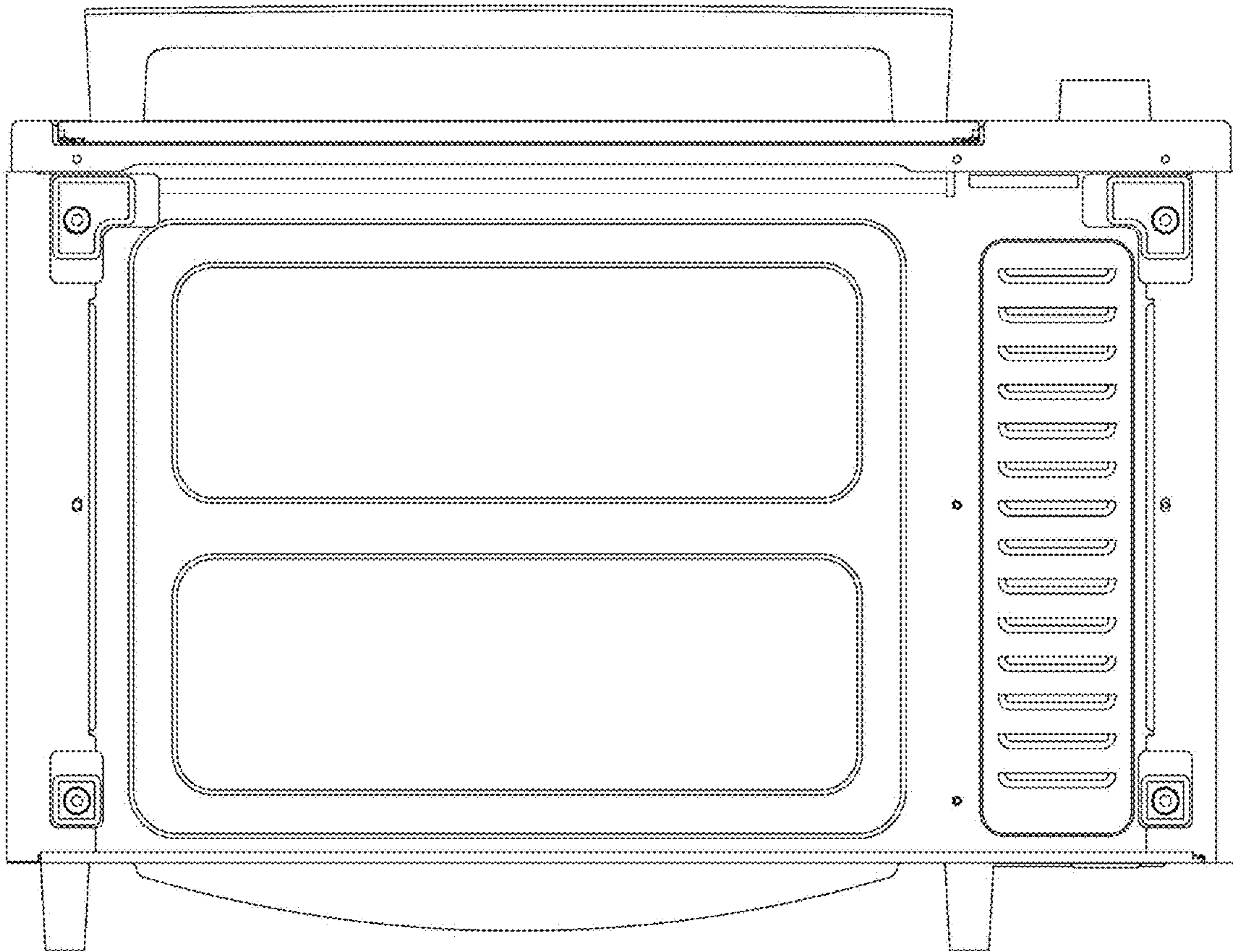
1.3



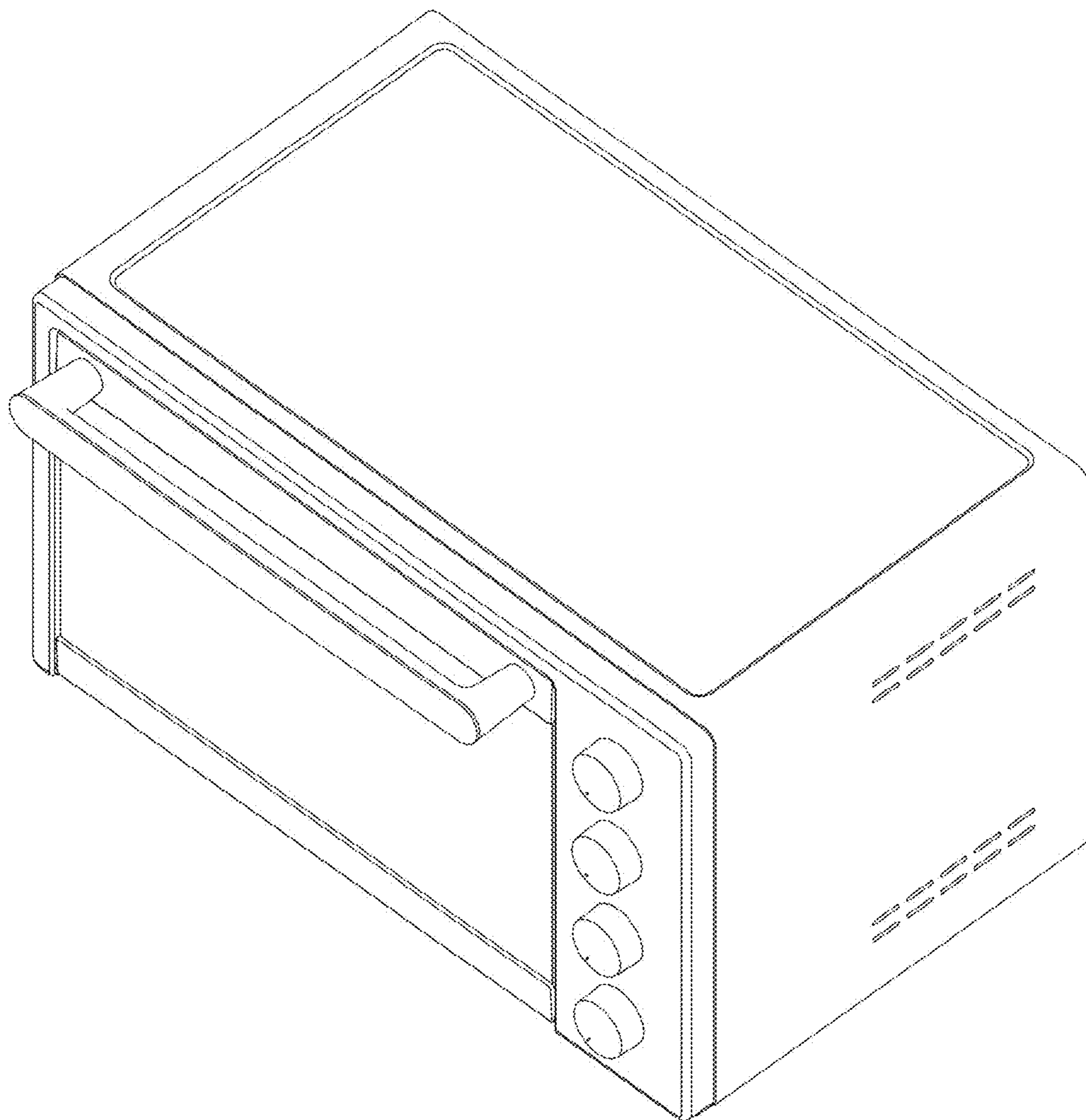
1.4



1.5



1.6



1.7

