



US00D910361S

(12) **United States Design Patent** (10) **Patent No.:** **US D910,361 S**
You et al. (45) **Date of Patent:** **** Feb. 16, 2021**

(54) **COFFEE MACHINE BODY**
(71) Applicant: **LG ELECTRONICS INC.**, Seoul (KR)
(72) Inventors: **Hyunhee You**, Seoul (KR); **Sungkyung Kim**, Seoul (KR); **Joo-Gyeom Kim**, Seoul (KR); **Kyoungmin Baek**, Seoul (KR); **Woonkyu Seo**, Seoul (KR); **Hyunsun Yoo**, Seoul (KR); **Yousook Eun**, Seoul (KR); **Hyejin Choi**, Seoul (KR)
(73) Assignee: **LG ELECTRONICS INC.**, Seoul (KR)

D240,386 S * 7/1976 Stuetzer D7/309
D243,141 S * 1/1977 Mantelet D7/309
D289,726 S * 5/1987 Greutert D7/310
D307,224 S * 4/1990 Mizukami D7/619.1
D440,458 S * 4/2001 Ohu D7/300
D552,402 S * 10/2007 Schwamkrug D7/309
D688,081 S * 8/2013 Warburton D7/306
D690,992 S * 10/2013 Ball D7/399
D712,188 S * 9/2014 Averty D7/309
D718,383 S * 11/2014 Lo D18/55
D718,972 S * 12/2014 Jorgensen D7/309
D761,051 S * 7/2016 Bartoli D7/309
D763,613 S * 8/2016 Han D7/306
D763,614 S * 8/2016 Han D7/306
D769,672 S * 10/2016 Gallagher D7/397
D775,890 S * 1/2017 Gallagher D7/397

(Continued)

(**) Term: **15 Years**

Primary Examiner — Marianne N Pandozzi

(21) Appl. No.: **29/676,679**

(74) *Attorney, Agent, or Firm* — Birch, Stewart, Kolasch & Birch, LLP

(22) Filed: **Jan. 14, 2019**

(30) **Foreign Application Priority Data**

(57) **CLAIM**

Jul. 13, 2018 (KR) 30-2018-0032534

The ornamental design for a coffee machine body, as shown and described.

(51) **LOC (13) Cl.** **07-01**

(52) **U.S. Cl.**
USPC **D7/310; D7/311; D7/309; D7/399**

DESCRIPTION

(58) **Field of Classification Search**
USPC D7/300, 306–311, 305, 355, 362, 365, D7/367, 397, 399; 222/146.6, 185.1, 135; 99/295, 323.1
CPC A47J 31/02; A47J 31/407; A47J 31/18; A47J 31/061; A47J 31/4403; A47J 31/057; A47J 31/46; B67D 1/0869; B67D 1/0036
See application file for complete search history.

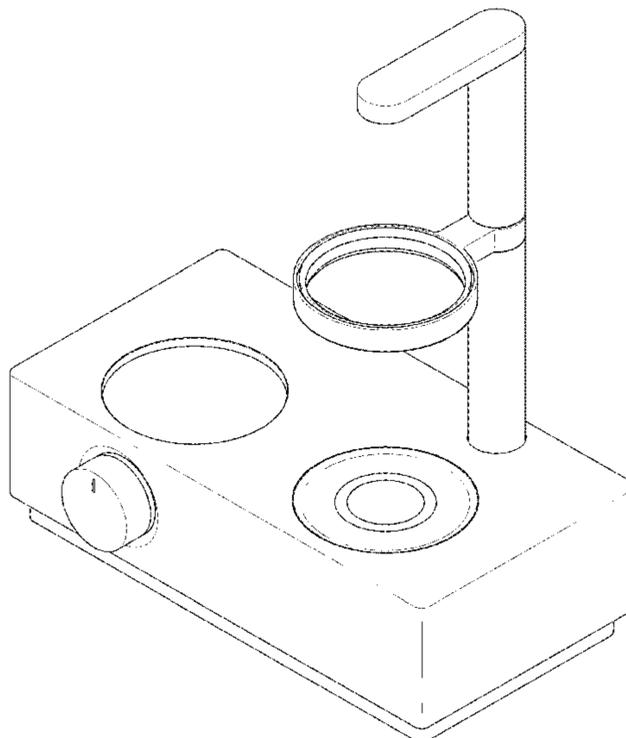
FIG. 1 is a front, right side, perspective view of a coffee machine body showing our new design;
FIG. 2 is a front view thereof;
FIG. 3 is a rear view thereof;
FIG. 4 is a left side view thereof;
FIG. 5 is a right side view thereof;
FIG. 6 is a top view thereof;
FIG. 7 is a bottom view thereof; and,
FIG. 8 is a front, right side, perspective view of the coffee machine body shown with environmental structure.
The broken line showing in FIG. 8 is for the purpose of illustrating environmental structure and forms no part of the claimed design.

(56) **References Cited**

U.S. PATENT DOCUMENTS

D220,579 S * 4/1971 Wickenberg D7/309
3,592,125 A * 7/1971 Tolmie A47J 31/0573
99/307

1 Claim, 8 Drawing Sheets



(56)

References Cited

U.S. PATENT DOCUMENTS

D793,791 S *	8/2017	McDonald	D7/306
D794,375 S *	8/2017	Fukushima	D7/309
D796,886 S *	9/2017	Mangold	D7/309
D800,487 S *	10/2017	Chawla	D7/306
D812,383 S *	3/2018	Kwiatkowski	D6/300
D813,598 S *	3/2018	Gallagher	D7/397
D813,599 S *	3/2018	Gallagher	D7/397
D816,383 S *	5/2018	Liang	D7/310
D834,869 S *	12/2018	Ljungh	D7/306
D837,587 S *	1/2019	Villalovos	D7/388
D843,765 S *	3/2019	Fedorak	D7/306
D846,329 S *	4/2019	Zimmermann	D7/310
D873,597 S *	1/2020	Fisher Wong	D7/309
2015/0075387 A1 *	3/2015	Lee	A47J 31/46 99/289 R

* cited by examiner

FIG. 1

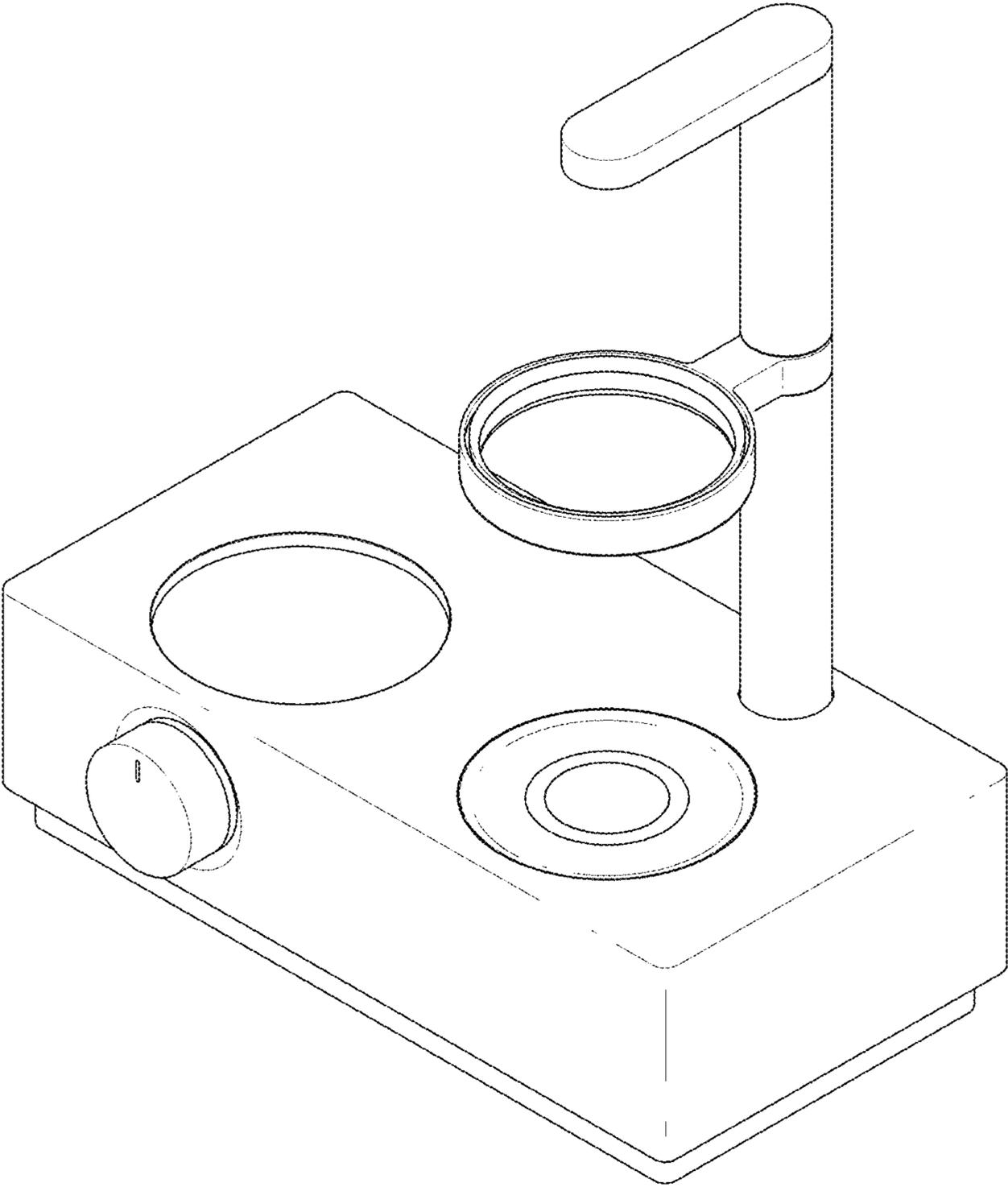


FIG. 2

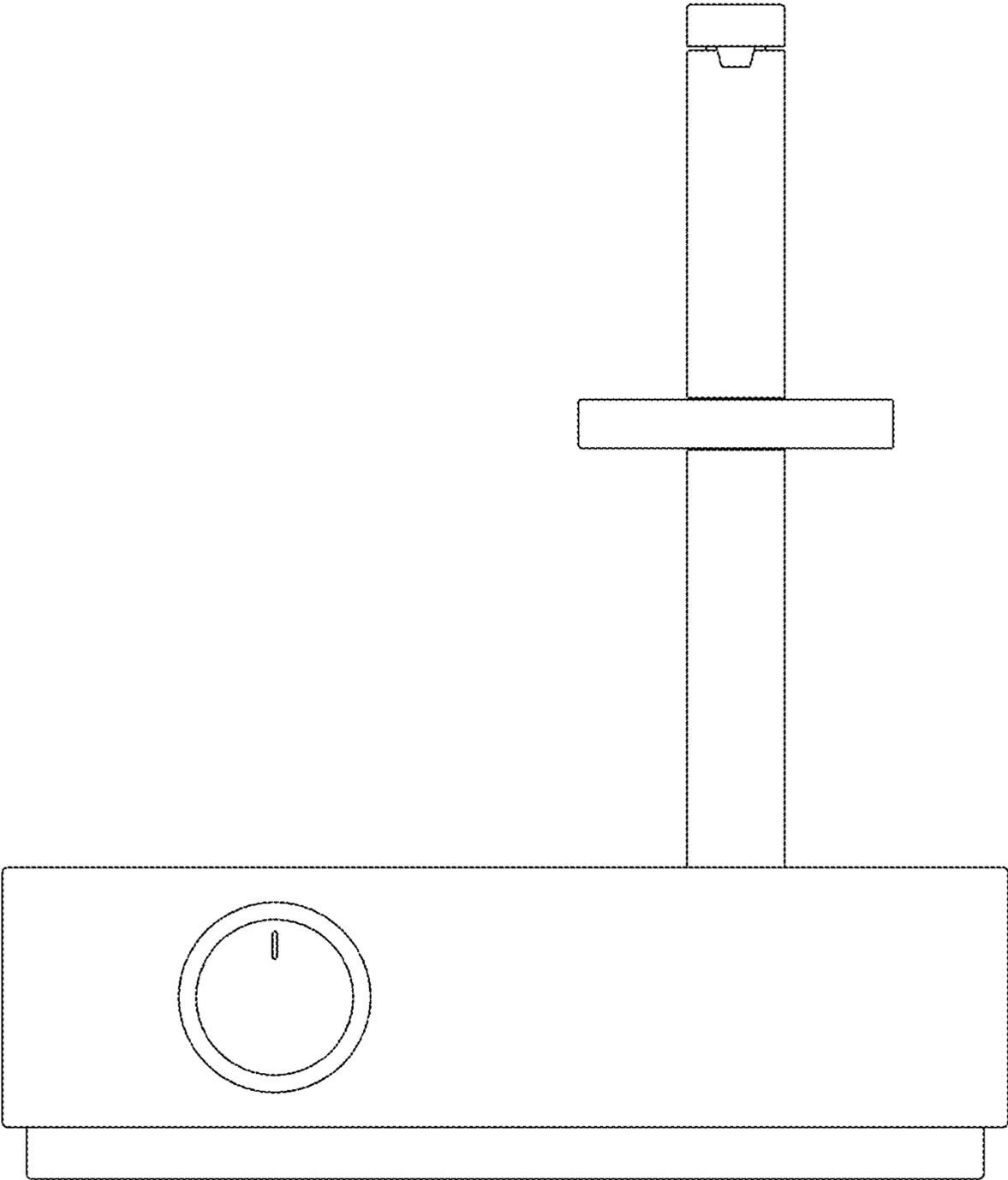


FIG. 3

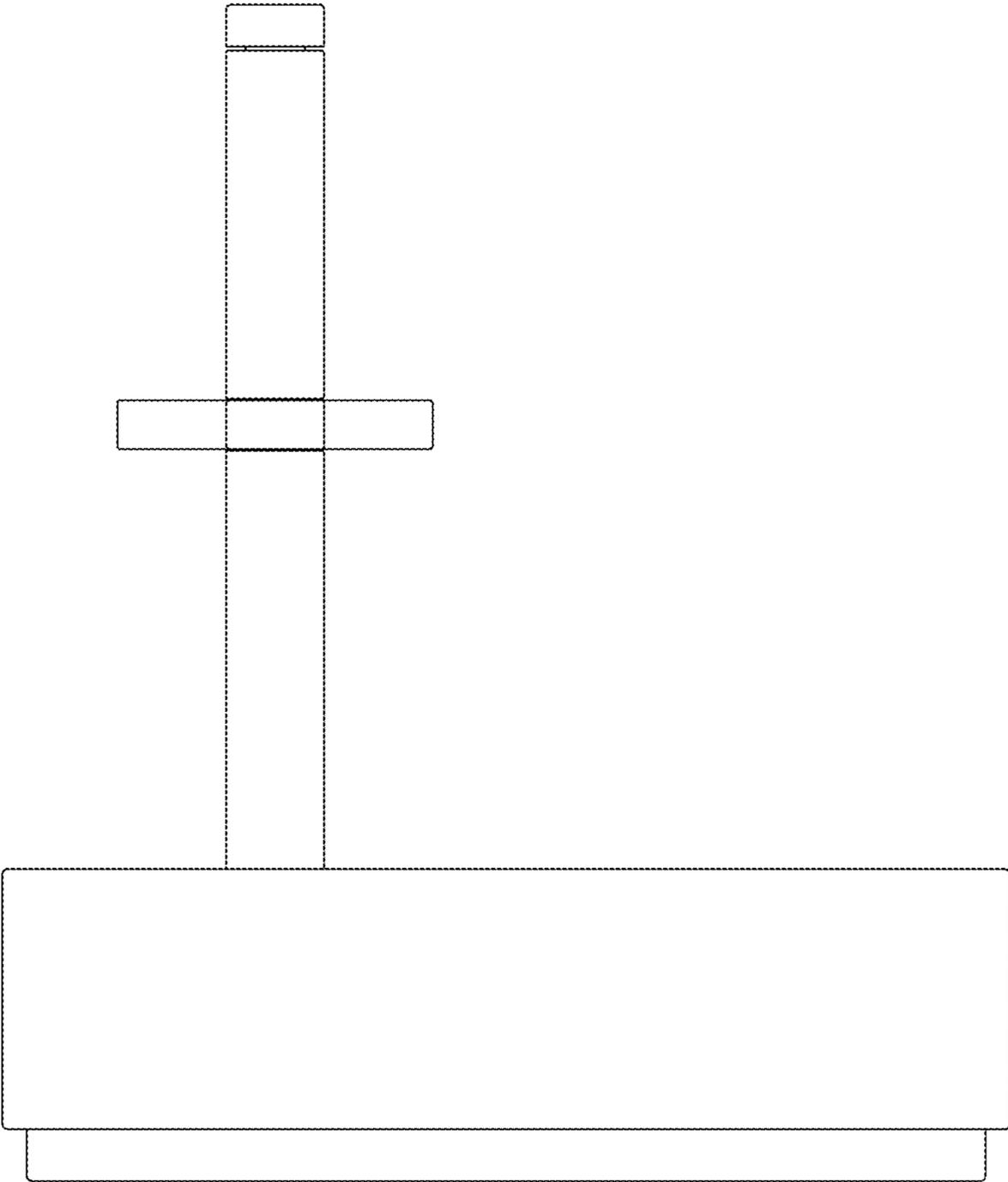


FIG. 4

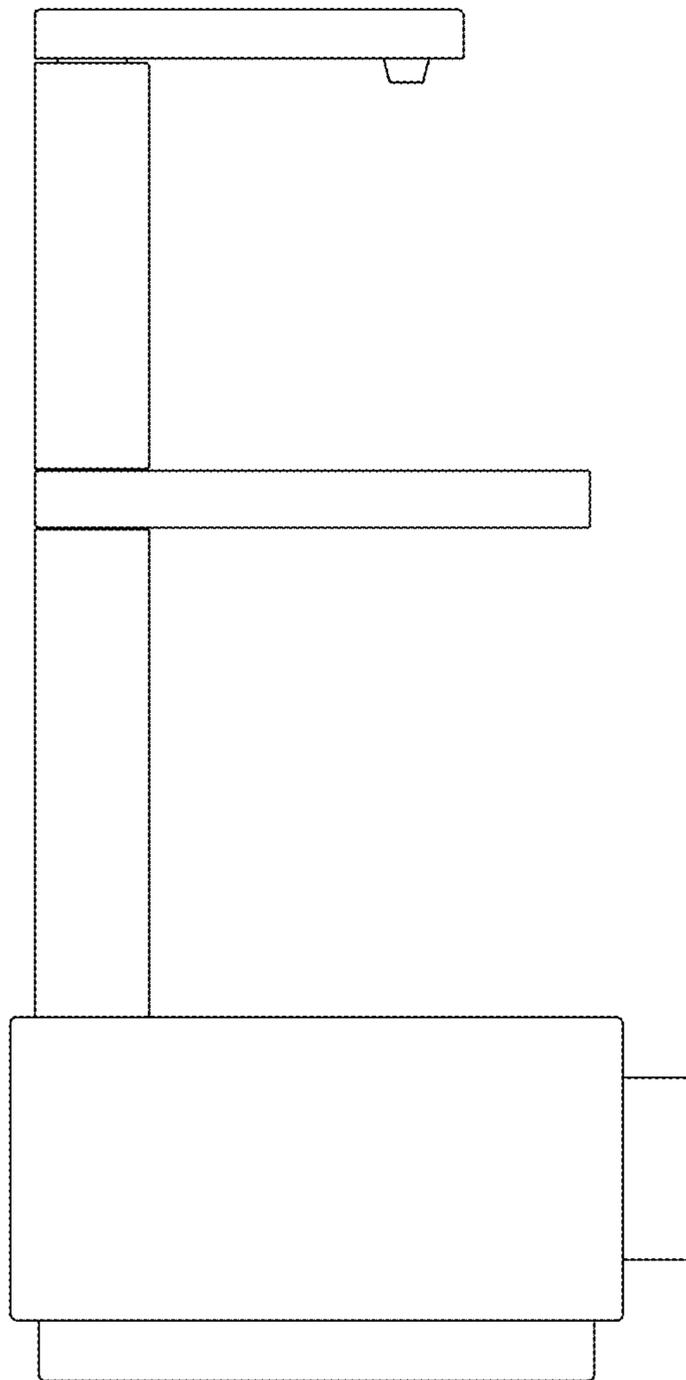


FIG. 5

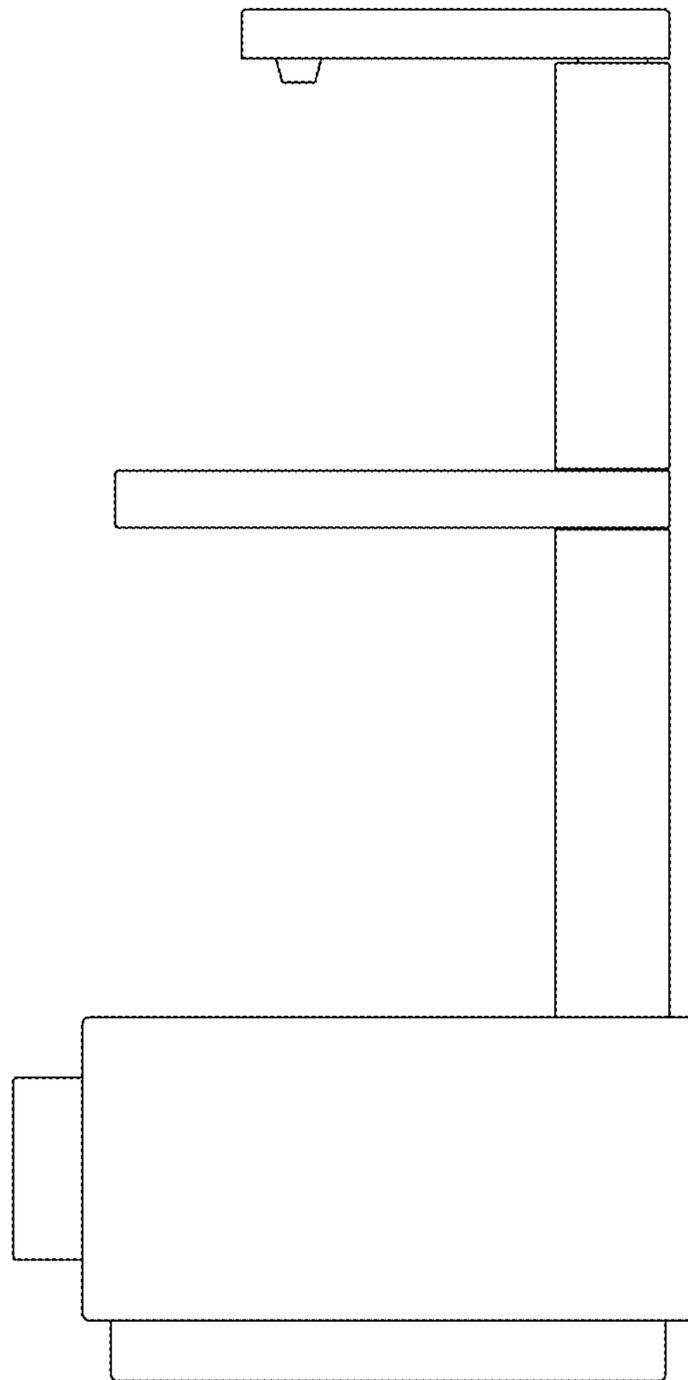


FIG. 6

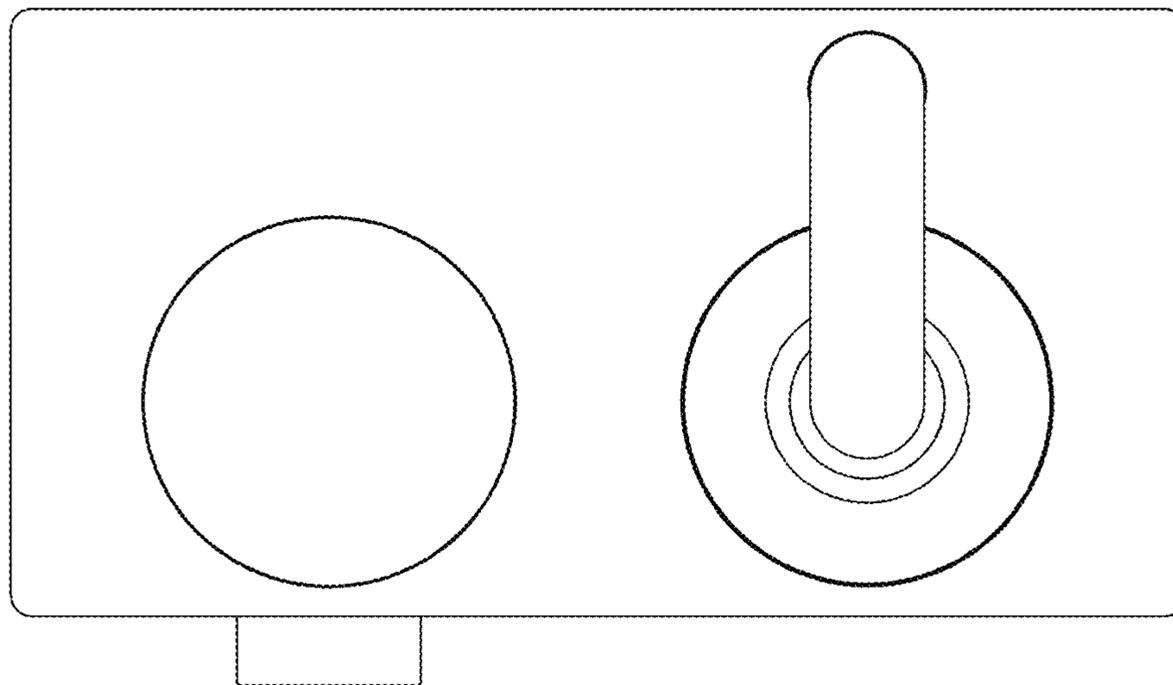


FIG. 7

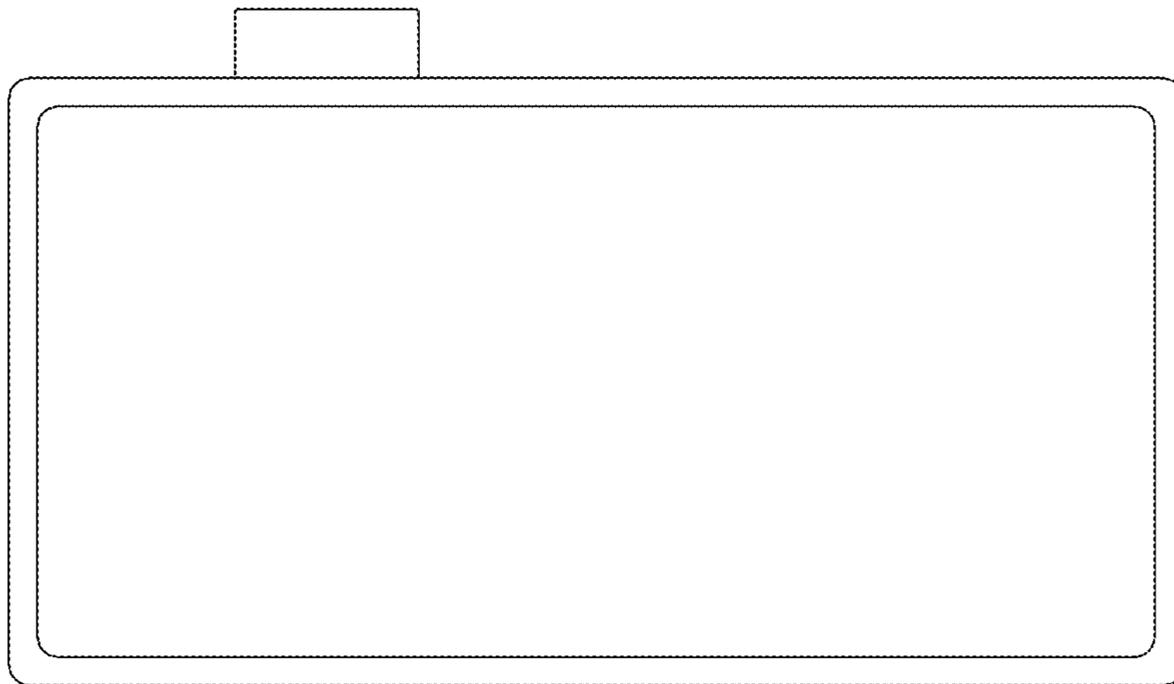


FIG. 8

