



US00D910359S

(12) **United States Design Patent**
Wu et al.

(10) **Patent No.:** **US D910,359 S**

(45) **Date of Patent:** **** Feb. 16, 2021**

(54) **CHAIR BACK**

(71) Applicant: **COMFORDY CO., LTD.**, Tainan (TW)

(72) Inventors: **Yu-Ling Wu**, Tainan (TW); **Armin Roland Sander**, Furth (DE); **Cyrille Jehan Charier**, Nuremberg (DE)

(73) Assignee: **Comfordy Co., Ltd.**, Tainan (TW)

(**) Term: **15 Years**

(21) Appl. No.: **29/721,404**

(22) Filed: **Jan. 21, 2020**

(51) **LOC (13) Cl.** **06-06**

(52) **U.S. Cl.**

USPC **D6/716.4**

(58) **Field of Classification Search**

USPC D6/334, 349, 357, 364, 365, 366, 367,
D6/368, 369, 374, 375, 379, 381, 708.16,
D6/716.1, 716.4, 716.7

CPC A47C 3/12; A47C 3/18; A47C 3/20; A47C
3/26; A47C 5/02; A47C 5/10; A47C 7/24;
A47C 7/36; A47C 7/46; A47C 7/18;
A47C 7/40; A47C 1/03255; A47C 4/42;
A47C 4/44; A47C 11/00; A47C 11/05
See application file for complete search history.

(56) **References Cited**

U.S. PATENT DOCUMENTS

4,556,254 A * 12/1985 Roberts A47C 7/40
297/452.36
5,403,067 A * 4/1995 Rajaratnam A47C 7/46
297/230.11

D793,143 S * 8/2017 Tsai D6/716.4
D809,842 S * 2/2018 Su D6/716.4
D869,889 S * 12/2019 Deevers D6/716.4
D869,890 S * 12/2019 Deevers D6/716.4
D880,182 S * 4/2020 Wang D6/366
D880,212 S * 4/2020 Choi D6/716
D893,229 S * 8/2020 Borgenhov D6/716.4
D895,335 S * 9/2020 Oku D6/716.4
2019/0223598 A1 * 7/2019 Jones A47C 1/03272
2019/0298069 A1 * 10/2019 Masunaga A47C 7/462

* cited by examiner

Primary Examiner — R. Johnson

(74) *Attorney, Agent, or Firm* — Rosenberg, Klein & Lee

(57) **CLAIM**

The ornamental design for a chair back, as shown and described.

DESCRIPTION

FIG. 1 is a perspective view of a chair back showing our new design;

FIG. 2 is a front elevational view thereof;

FIG. 3 is a rear elevational view thereof;

FIG. 4 is a left side elevational view thereof;

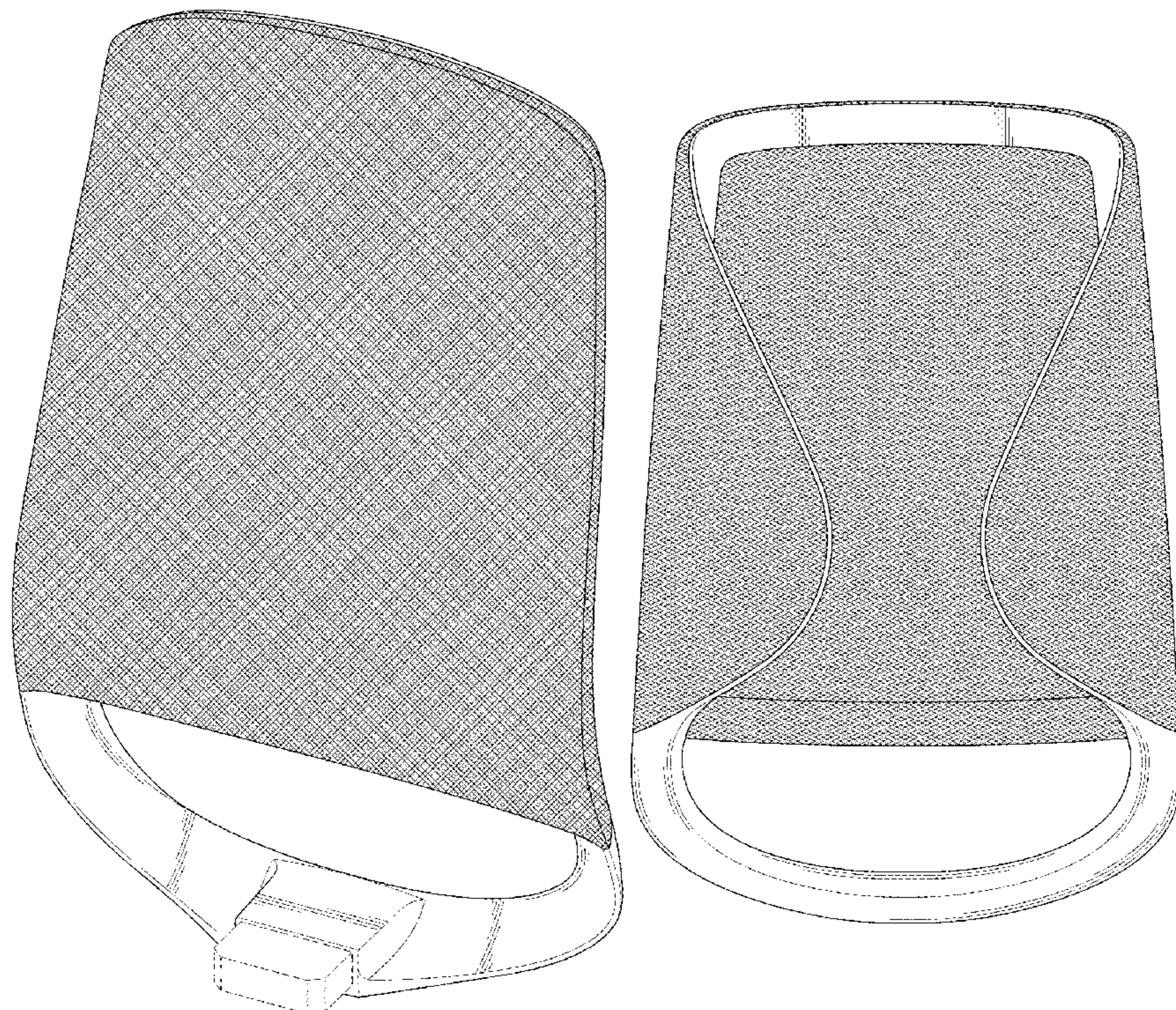
FIG. 5 is a right side elevational view thereof;

FIG. 6 is a top plan view thereof; and,

FIG. 7 is a bottom plan view thereof.

The broken lines shown in the figures illustrate portions of the chair back that form no part of the claimed design.

1 Claim, 7 Drawing Sheets



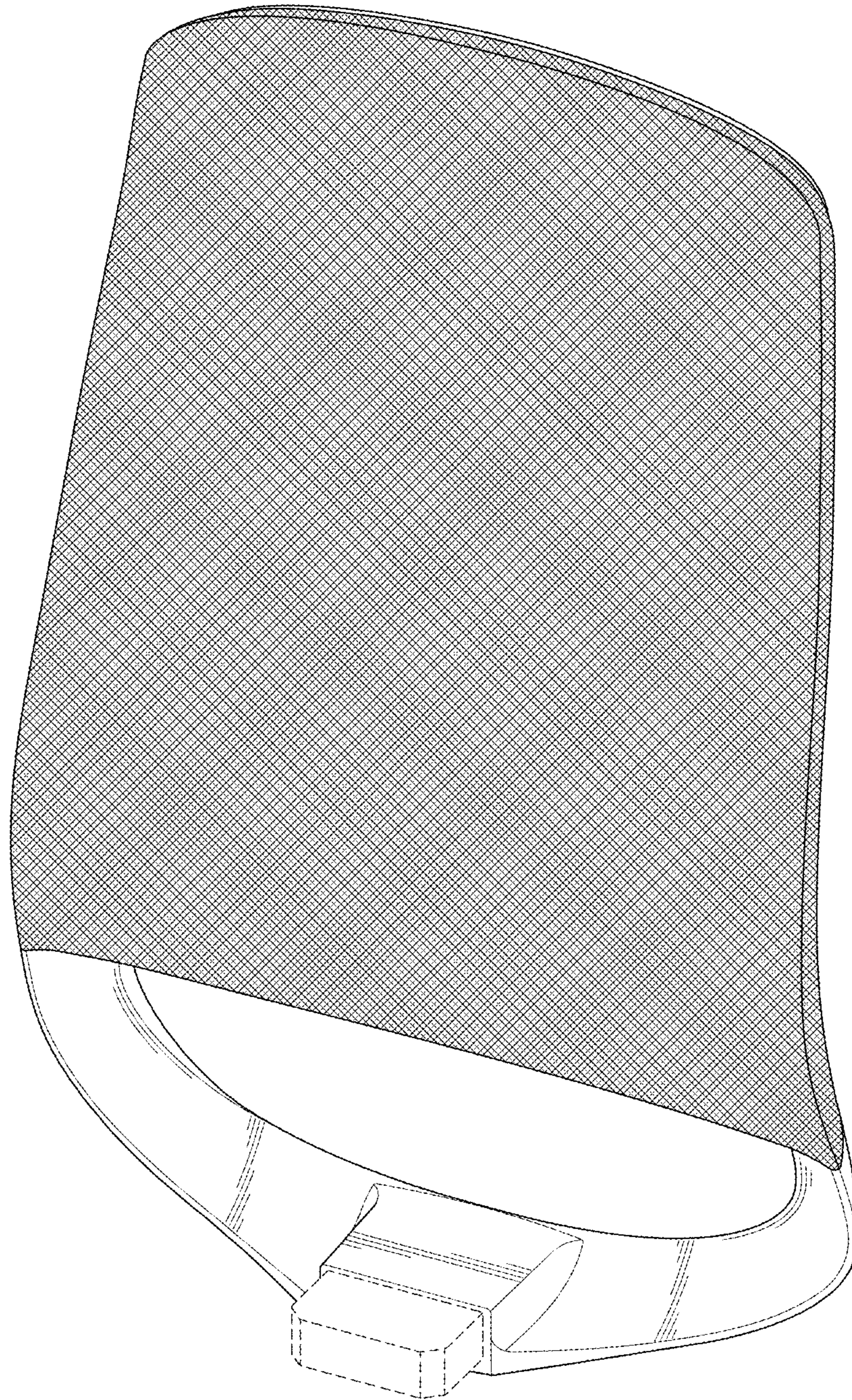


FIG. 1

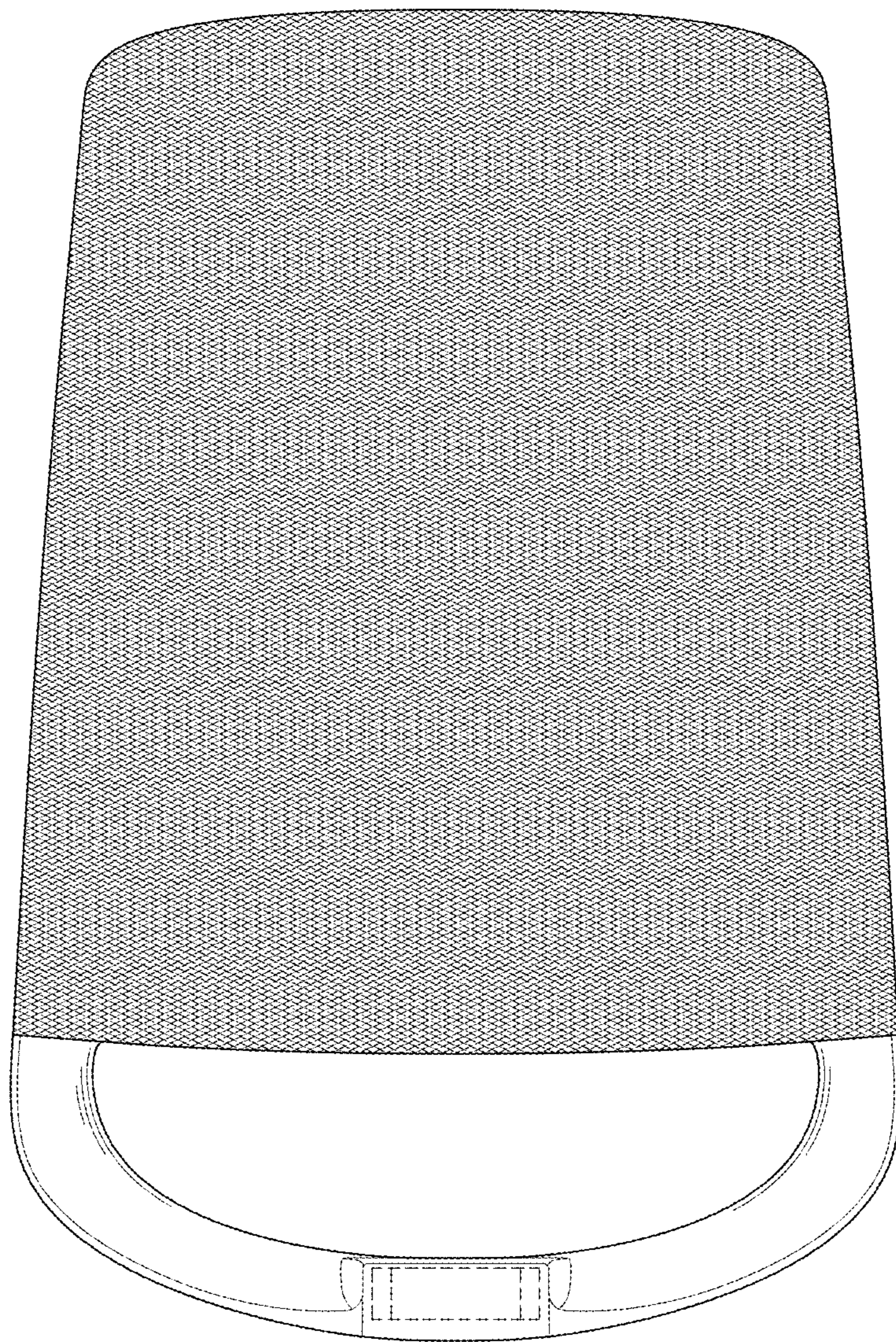


FIG. 2

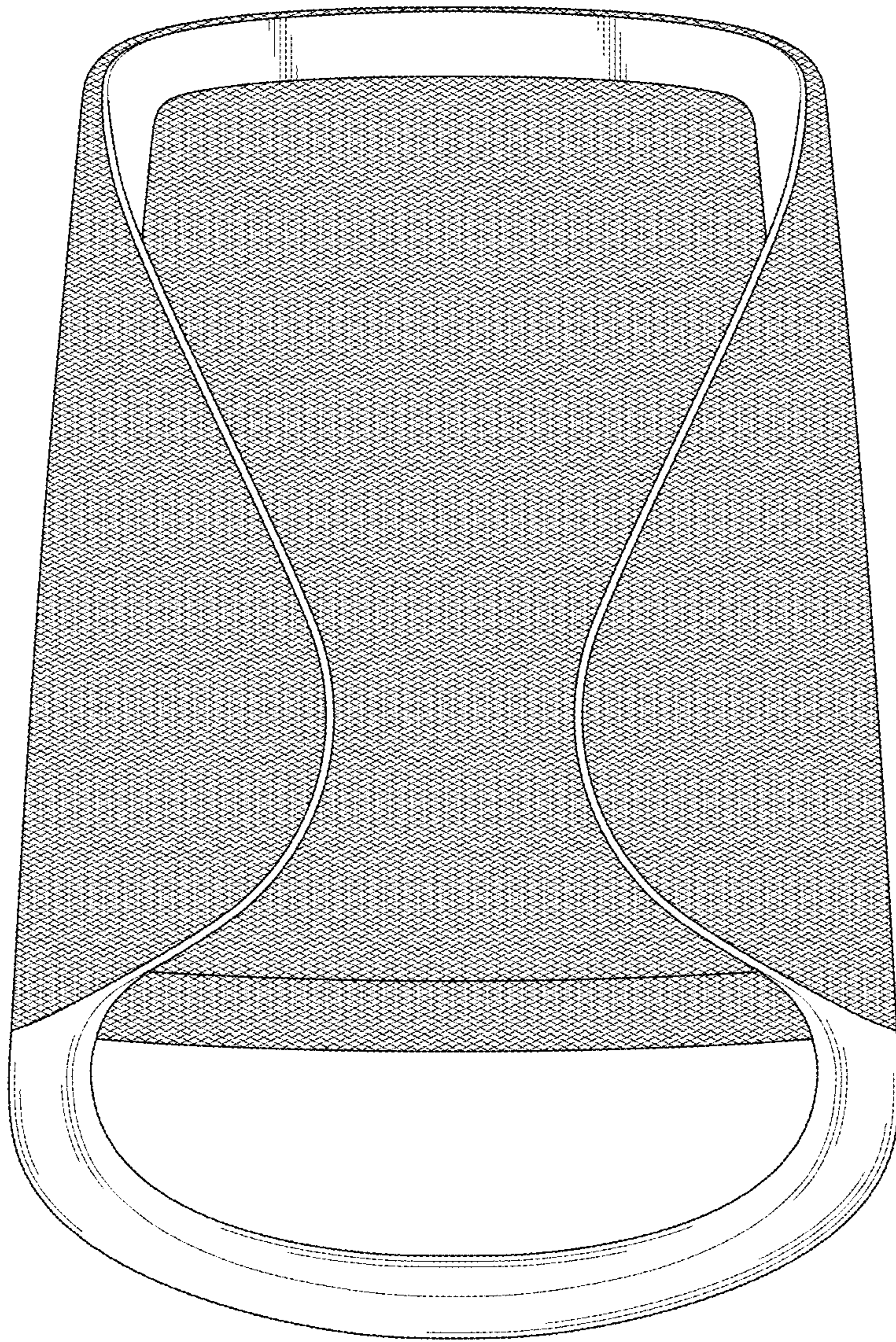


FIG. 3

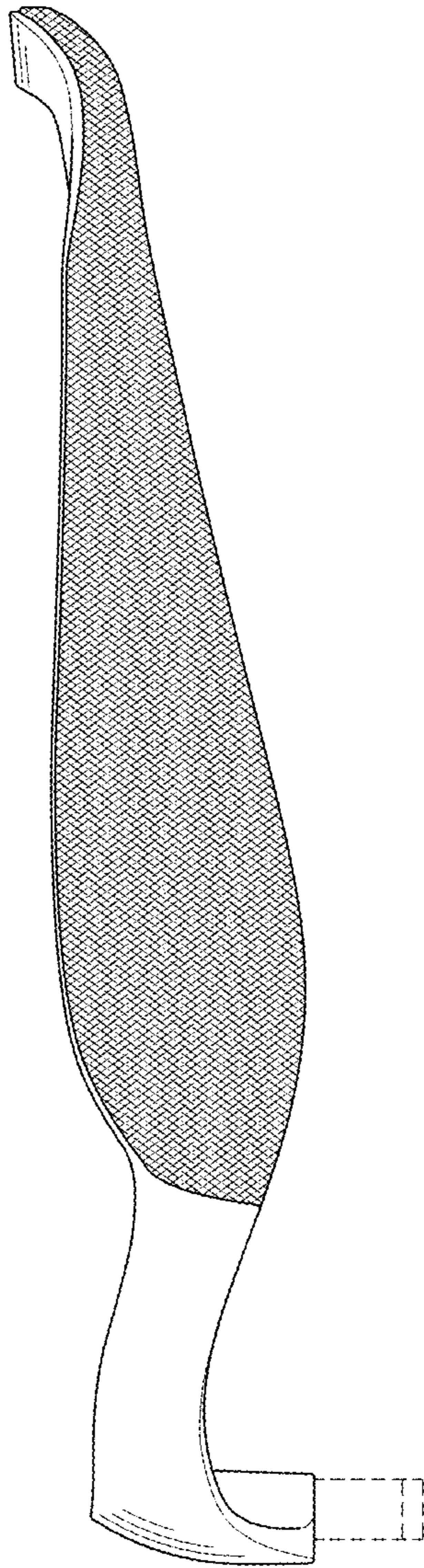


FIG. 4

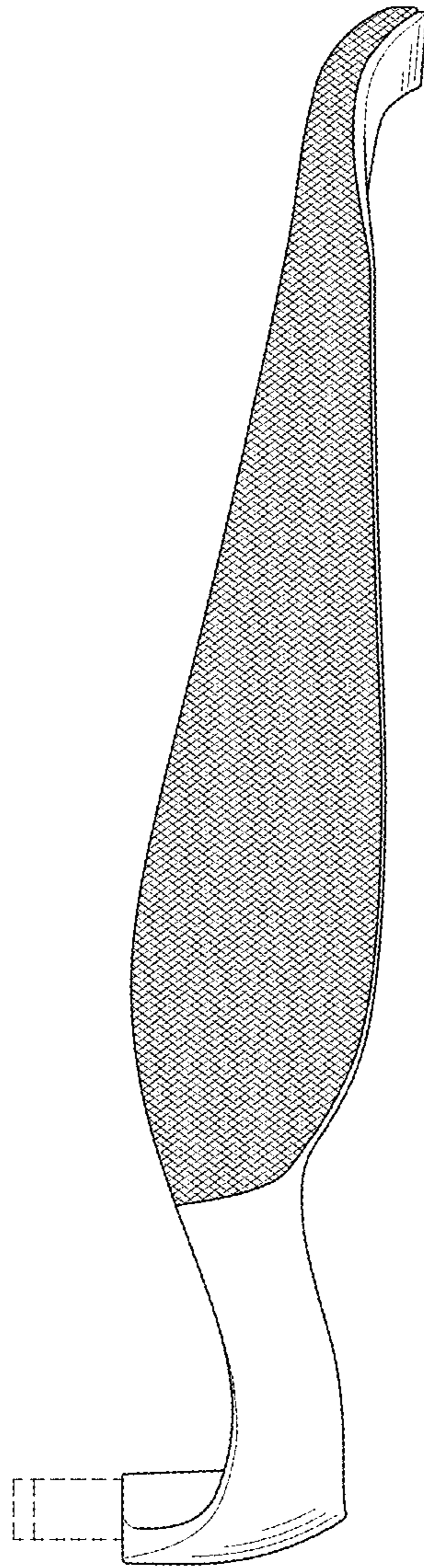


FIG. 5

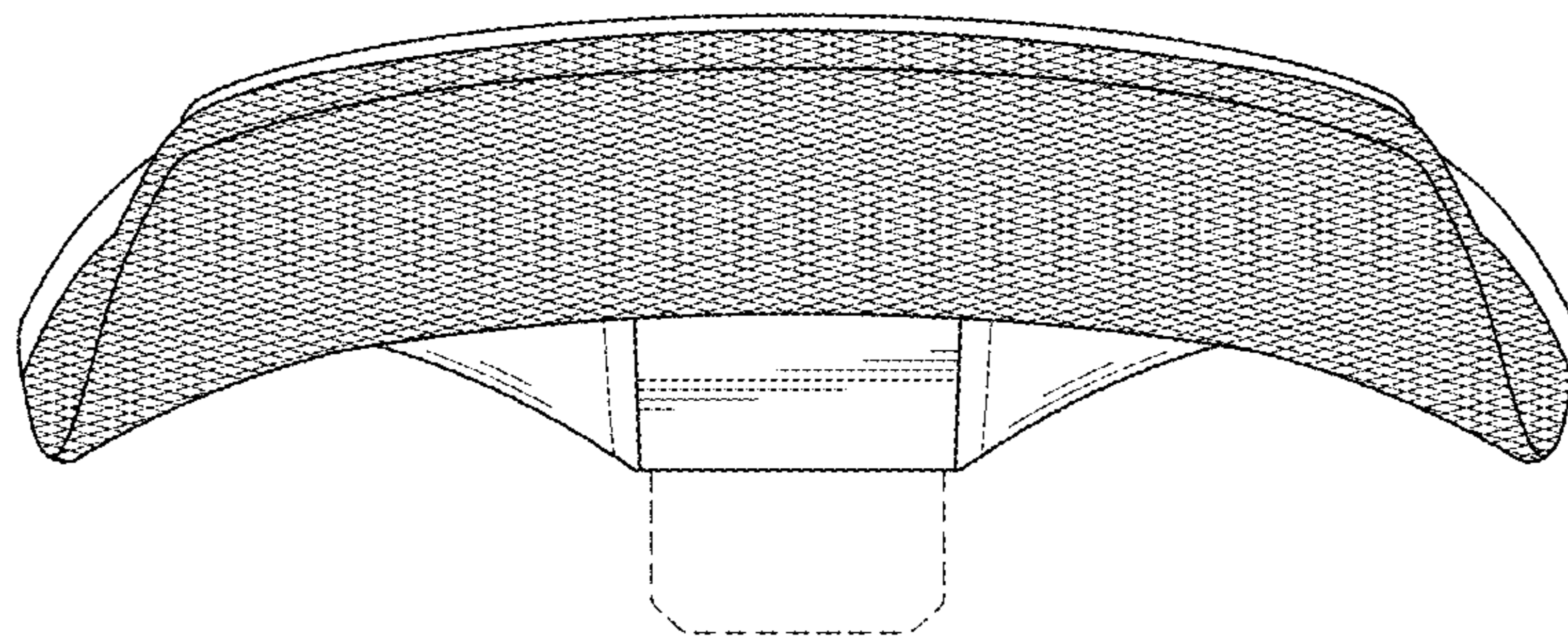


FIG. 6

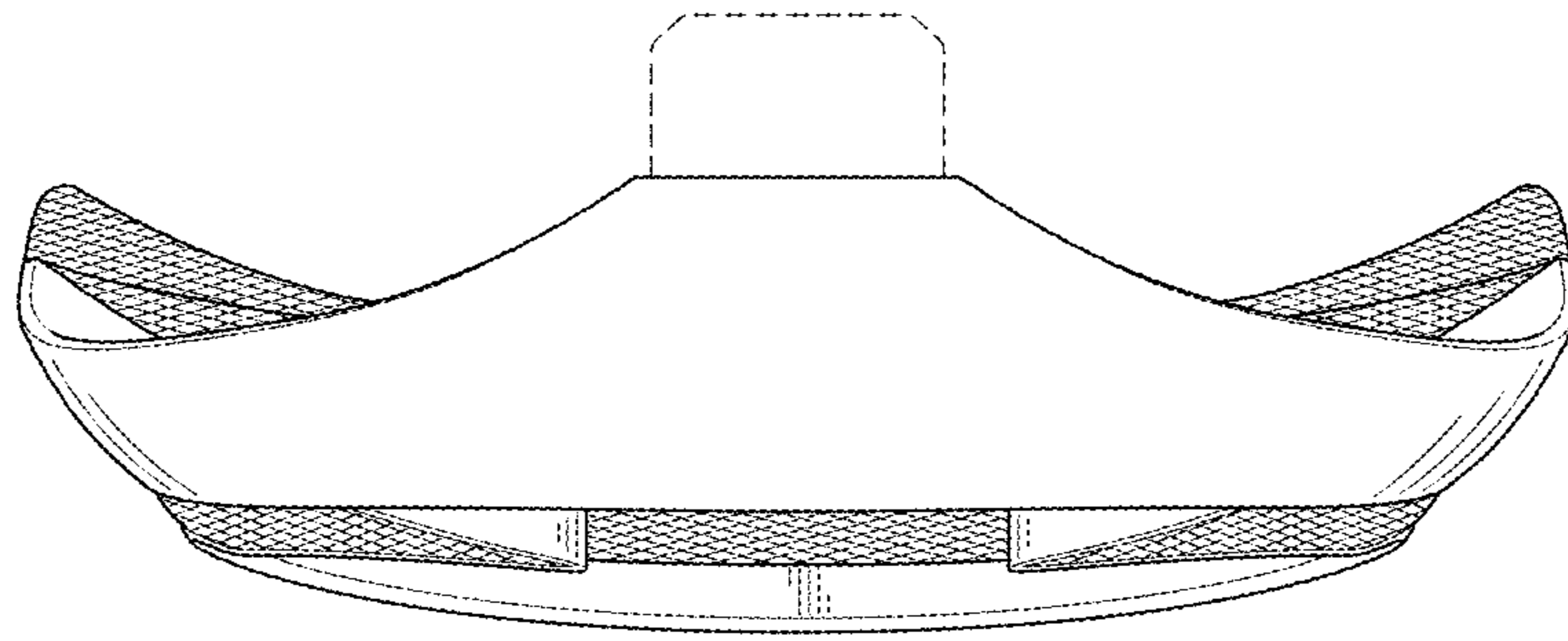


FIG. 7