



US00D910358S

(12) **United States Design Patent** (10) **Patent No.:** **US D910,358 S**  
**Mao** (45) **Date of Patent:** **\*\* Feb. 16, 2021**

(54) **SEAT**  
(71) Applicant: **Anji Fuhe Furniture Co., Ltd.**,  
Huzhou (CN)  
(72) Inventor: **Huazhong Mao**, Huzhou (CN)  
(73) Assignee: **Anji Fuhe Furniture Co., Ltd.**,  
Huzhou (CN)

D755,533 S \* 5/2016 Ballendat ..... D6/366  
D761,050 S \* 7/2016 Pan ..... D6/716.4  
D761,579 S 7/2016 Lievore et al.  
(Continued)

FOREIGN PATENT DOCUMENTS

CN 201530261656.4 10/2004  
CN 201630060016.1 10/2004  
(Continued)

(\*\*) Term: **15 Years**  
(21) Appl. No.: **29/674,746**

*Primary Examiner* — Mimosa De  
(74) *Attorney, Agent, or Firm* — Dragon Sun Law Firm,  
PC; Jinggao Li, Esq.

(22) Filed: **Dec. 25, 2018**  
(51) **LOC (13) Cl.** ..... **06-01**  
(52) **U.S. Cl.**  
USPC ..... **D6/716; D6/366**  
(58) **Field of Classification Search**  
USPC ..... D6/364, 365, 366, 367, 372, 373, 374,  
D6/375, 716, 716.1, 716.2, 716.4  
CPC ..... A47C 7/004; A47C 7/006; A47C 7/18;  
A47C 7/24; A47C 7/40; A47C 7/46;  
A47C 7/54; A47C 7/541  
See application file for complete search history.

(57) **CLAIM**  
The ornamental design for a seat, as shown and described.

**DESCRIPTION**

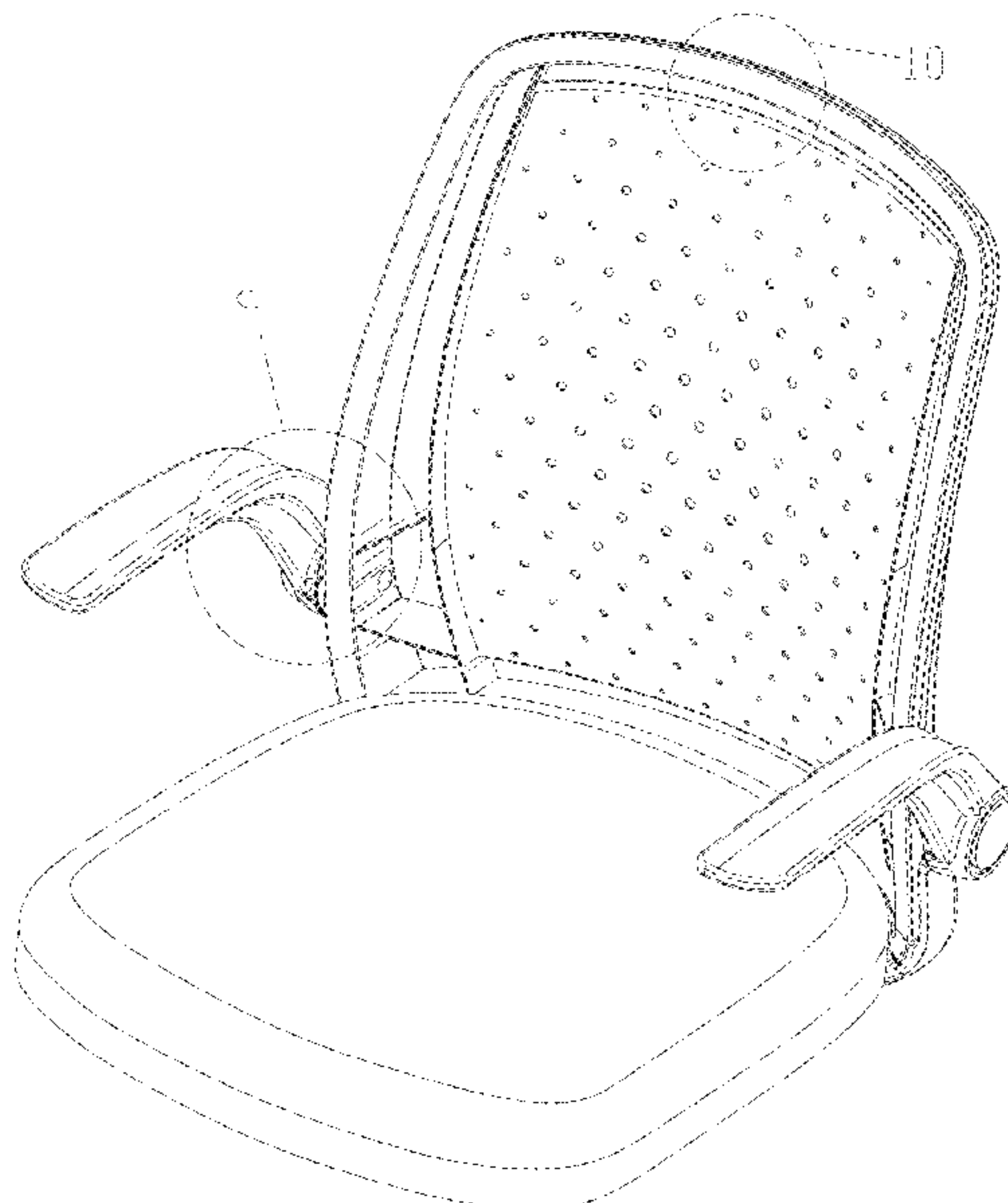
FIG. 1 is a front perspective view of a seat showing my new design;  
FIG. 2 is a rear perspective view thereof;  
FIG. 3 is a front elevational view thereof;  
FIG. 4 is a rear elevational view thereof;  
FIG. 5 is a left elevational view thereof;  
FIG. 6 is a right elevational view thereof;  
FIG. 7 is a top plan view thereof; and  
FIG. 8 is a bottom plan view thereof;  
FIG. 9 is an enlarged view of the selected portion 9 in FIG. 1;  
FIG. 10 is an enlarged view of the selected portion 10 in FIG. 1;  
FIG. 11 is an enlarged view of the selected portion 11 in FIG. 2;  
FIG. 12 is an enlarged view of the selected portion 12 in FIG. 3; and,  
FIG. 13 is an enlarged view of the selected portion 13 in FIG. 7.  
The broken lines are for environmental proposes only and form no part of the claimed design.

(56) **References Cited**

U.S. PATENT DOCUMENTS

D422,802 S \* 4/2000 Deacon ..... D6/366  
D449,172 S \* 10/2001 Van De Riet ..... D6/366  
D449,938 S \* 11/2001 Vanderiet ..... D6/369  
D456,160 S \* 4/2002 Van De Riet ..... D6/366  
D475,210 S \* 6/2003 Tsai ..... D6/366  
D541,062 S 4/2007 Su  
D586,577 S \* 2/2009 Koh ..... D6/376  
D587,915 S \* 3/2009 Igarashi ..... D6/366  
D595,520 S \* 7/2009 Su ..... D6/716.4  
D660,056 S \* 5/2012 Diffrient ..... D6/716  
D677,068 S \* 3/2013 Chen ..... D6/366  
D686,832 S \* 7/2013 Hori ..... D6/376  
D718,544 S \* 12/2014 Lu ..... D6/366

**1 Claim, 13 Drawing Sheets**



(56)

**References Cited**

U.S. PATENT DOCUMENTS

D766,641 S \* 9/2016 Gorgi ..... D6/716.4  
D770,788 S \* 11/2016 Bonneywell ..... D6/366  
D826,614 S \* 8/2018 Chu ..... D6/716.4  
D833,767 S \* 11/2018 Wilkinson ..... D6/366  
D882,999 S \* 5/2020 Loew ..... D6/716  
2009/0127914 A1\* 5/2009 Igarashi ..... A47C 7/40  
297/452.46

FOREIGN PATENT DOCUMENTS

CN 201830150696.5 8/2018  
JP 2015005032 11/2015  
KR 3020070030825 5/2008

\* cited by examiner

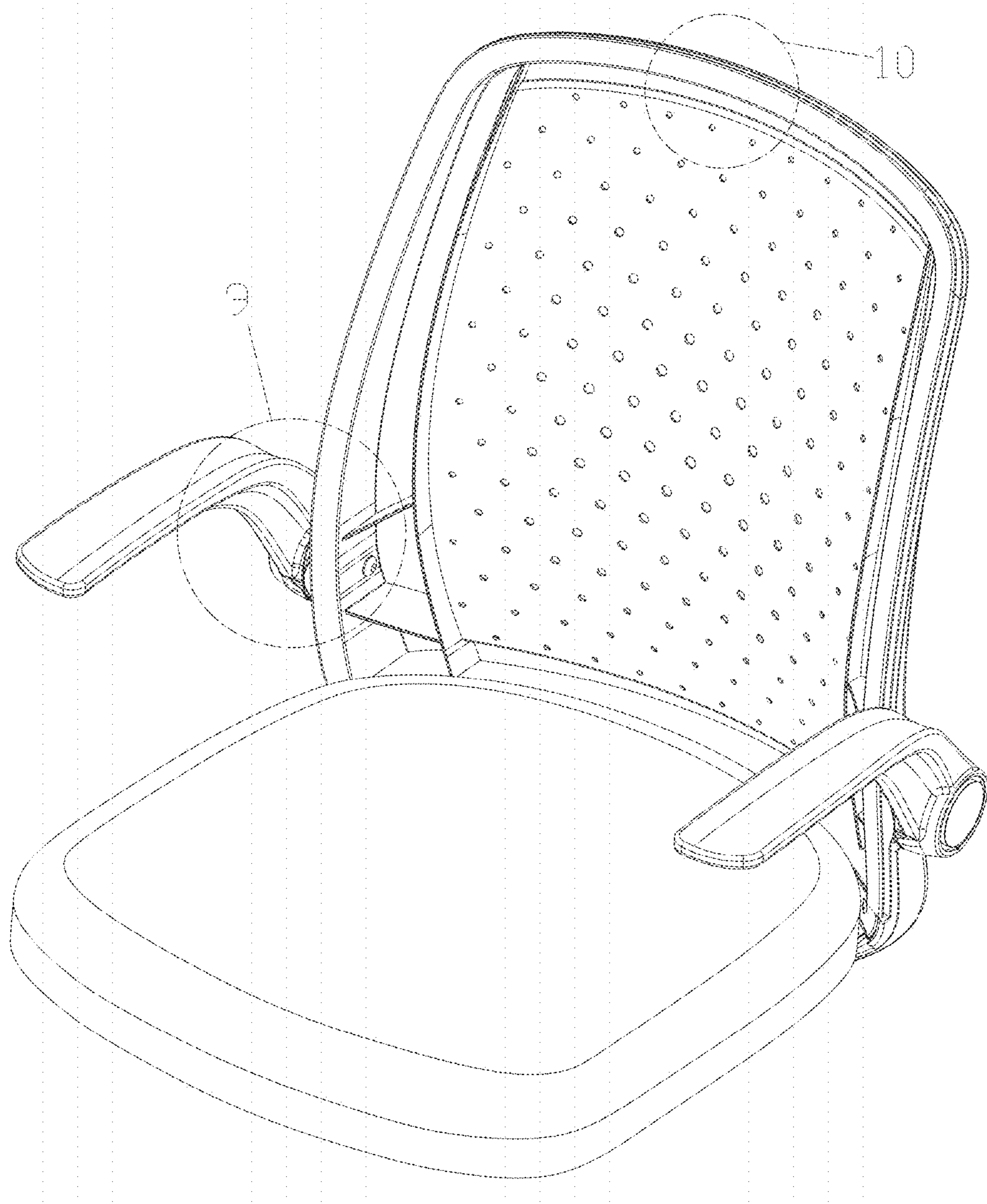


FIG.1



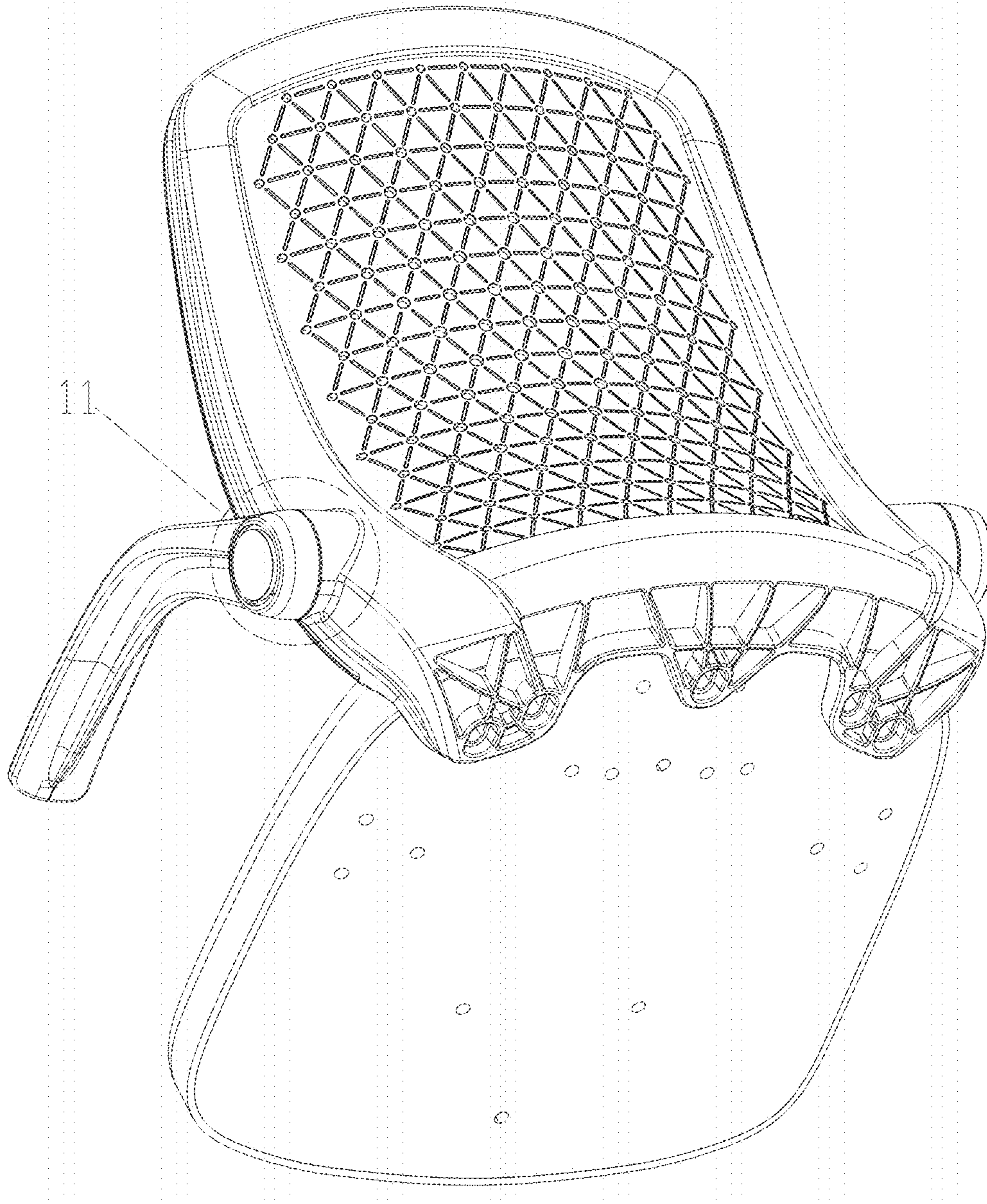


FIG. 2

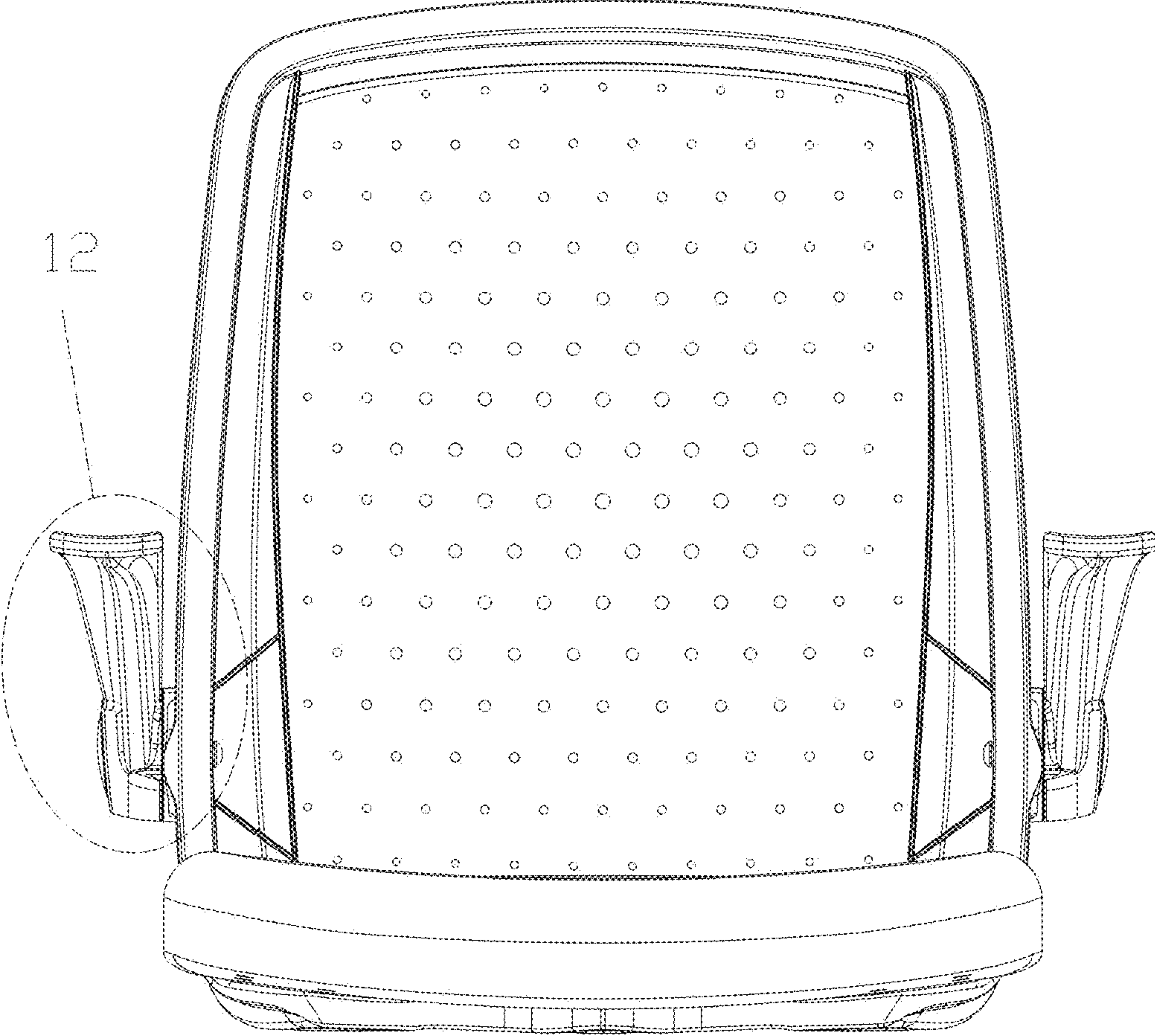


FIG. 3



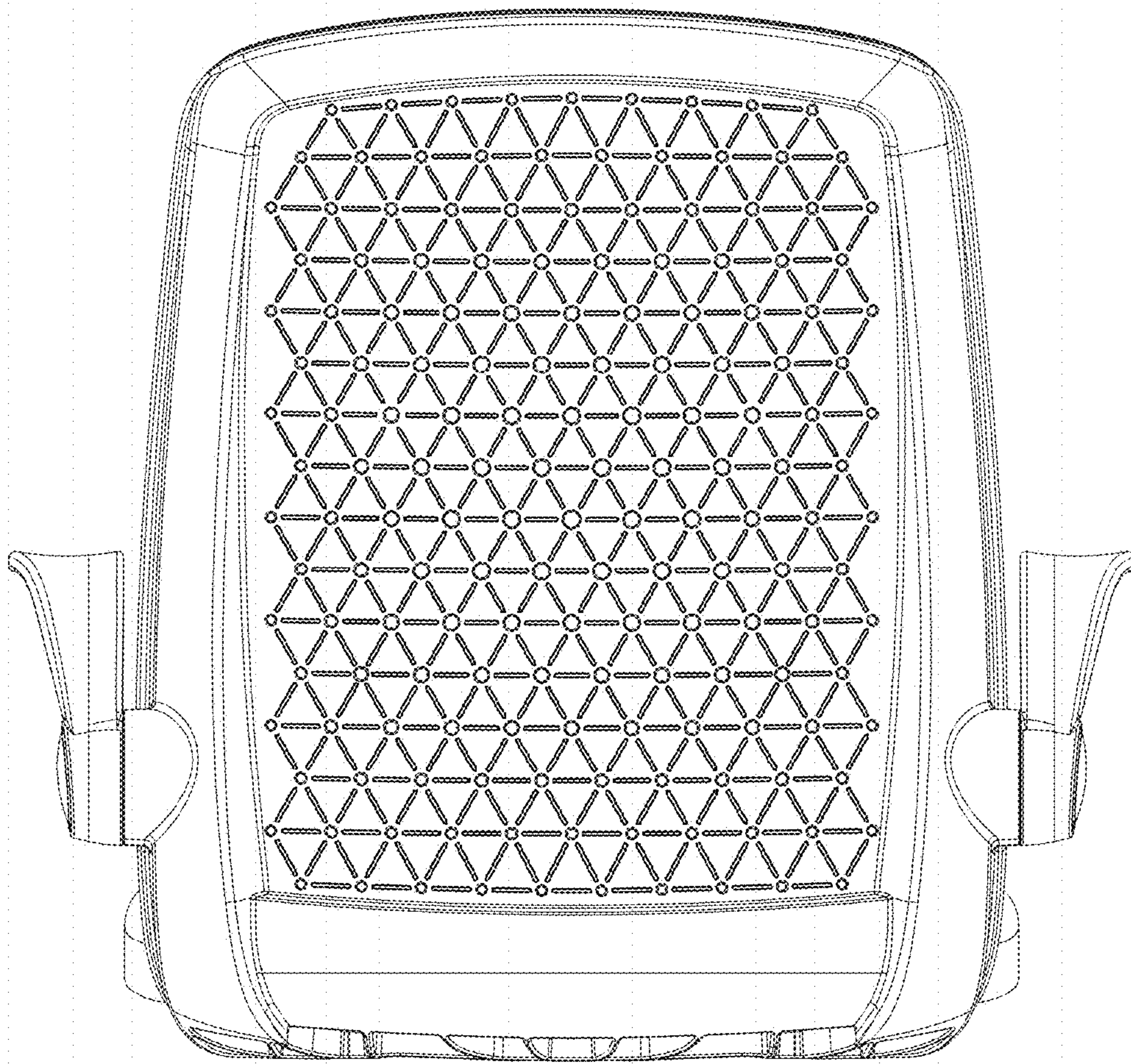


FIG. 4

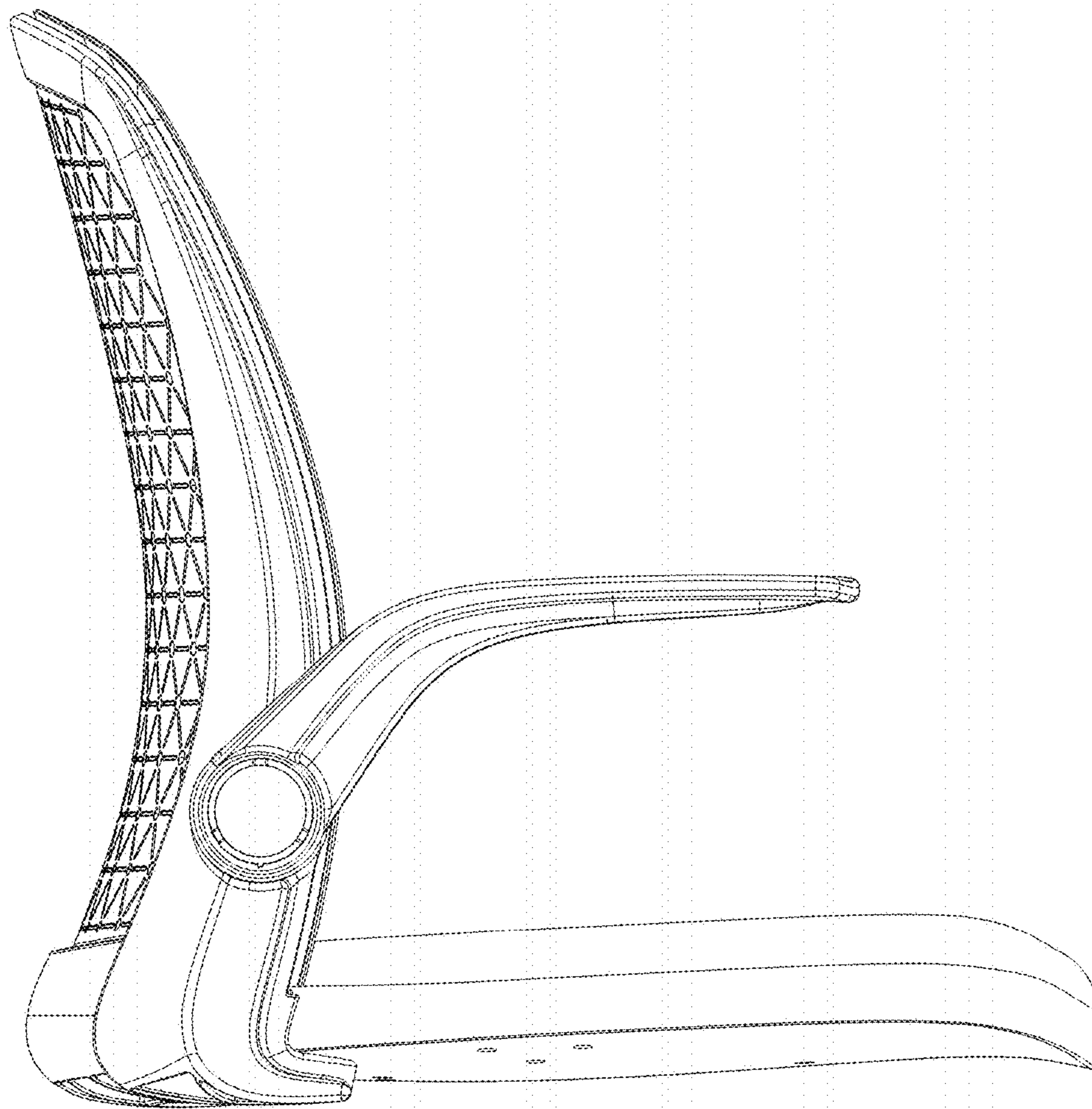


FIG. 5

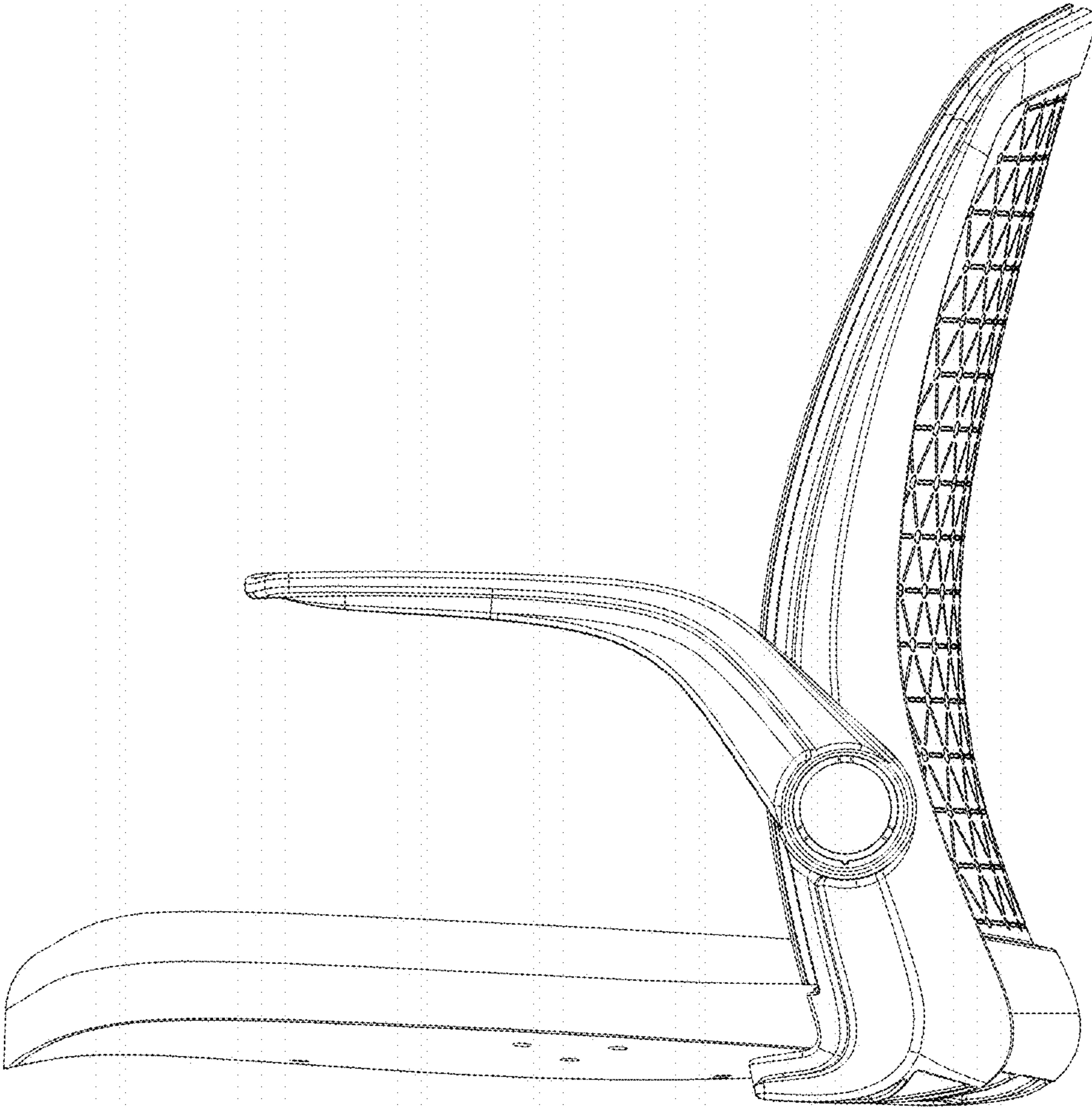


FIG. 6



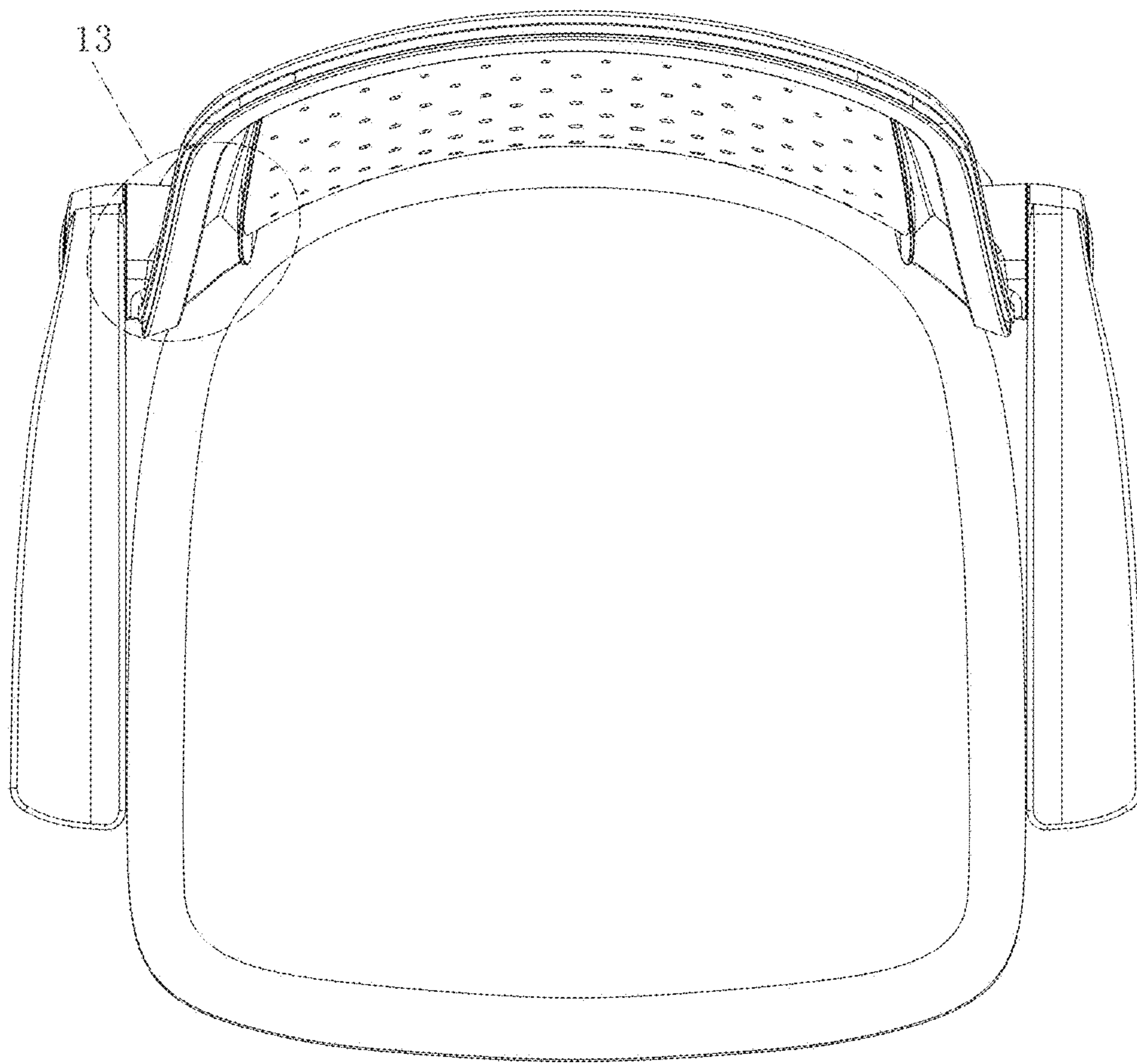


FIG. 7

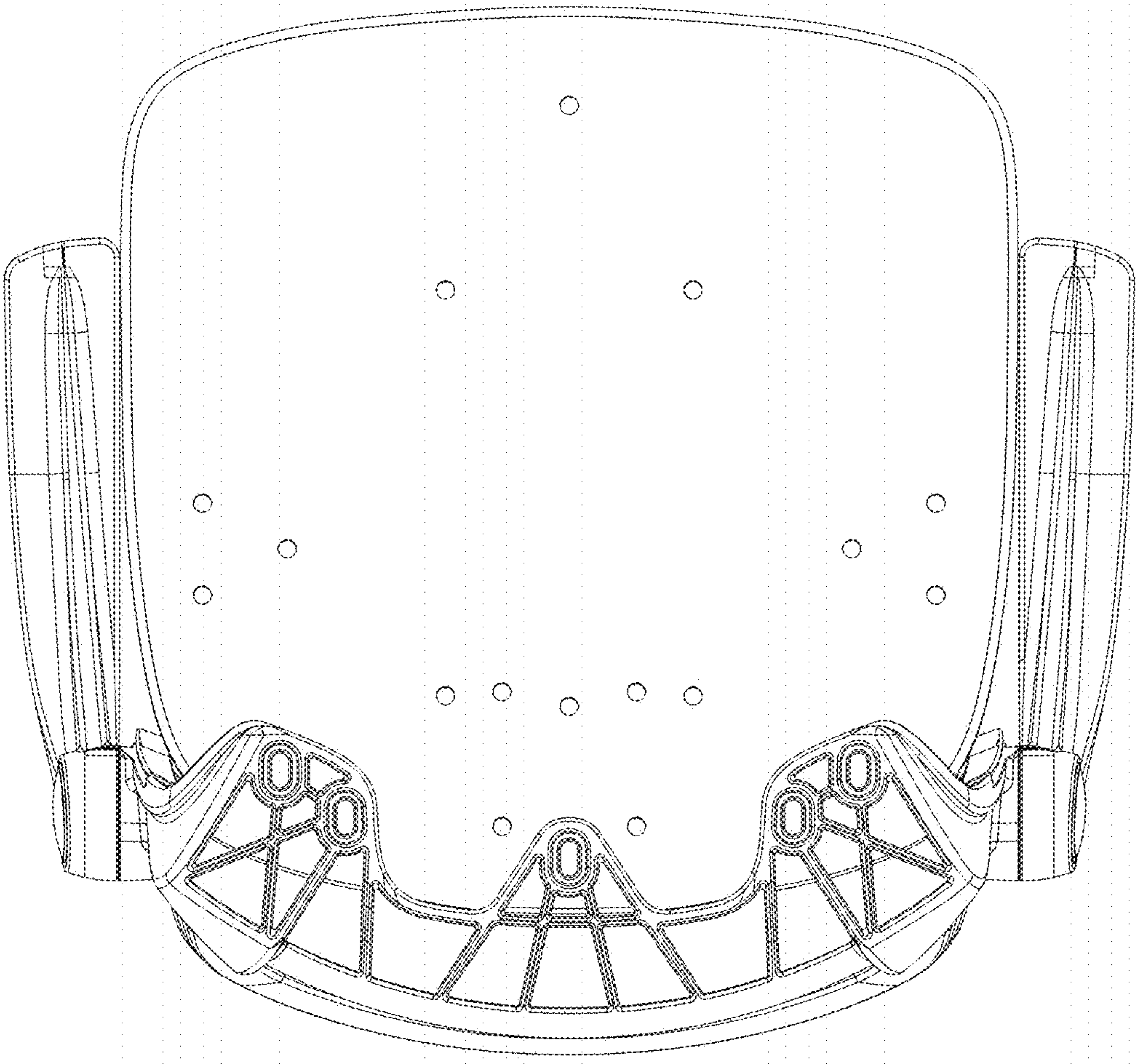


FIG. 8

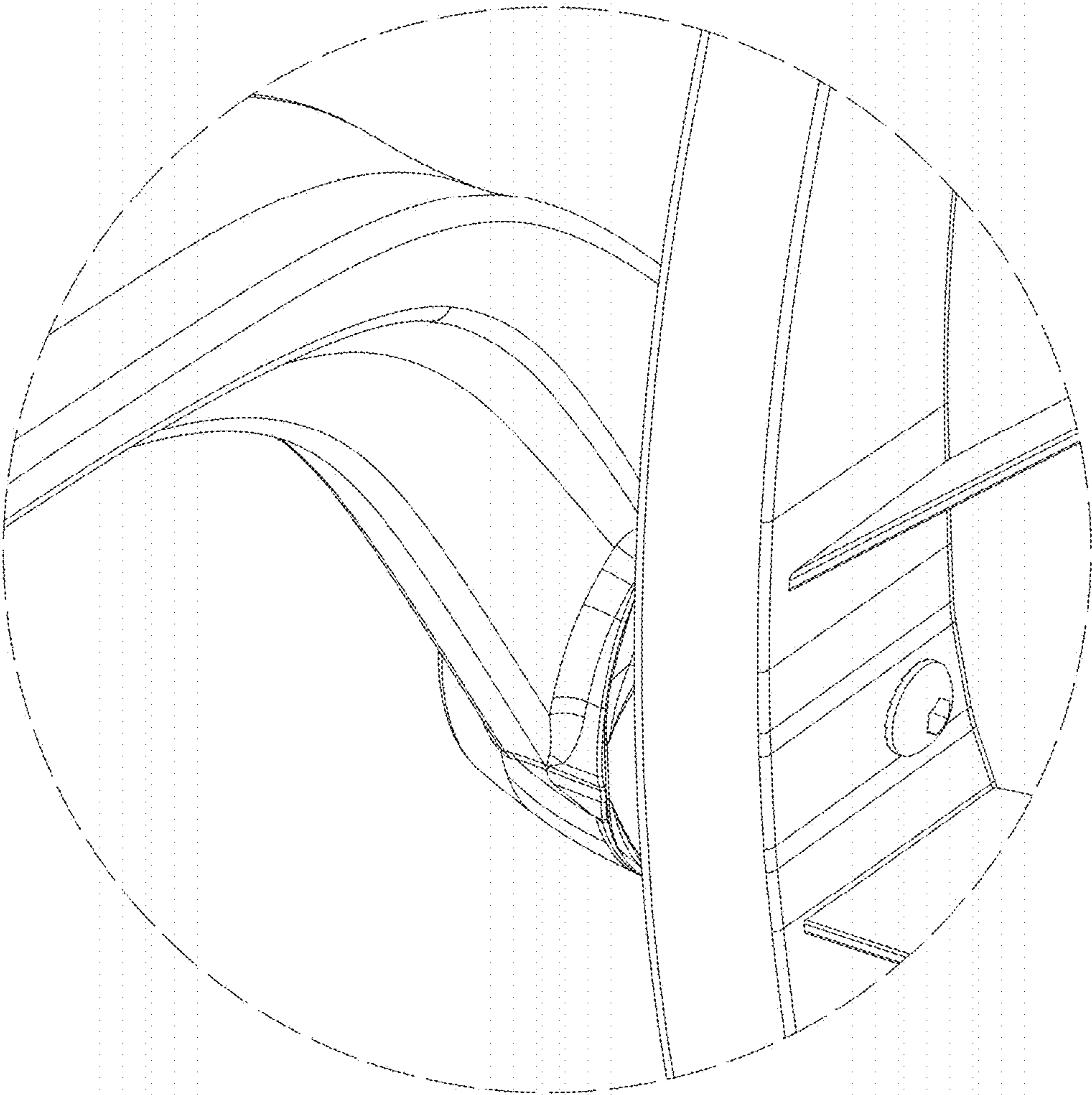


FIG. 9



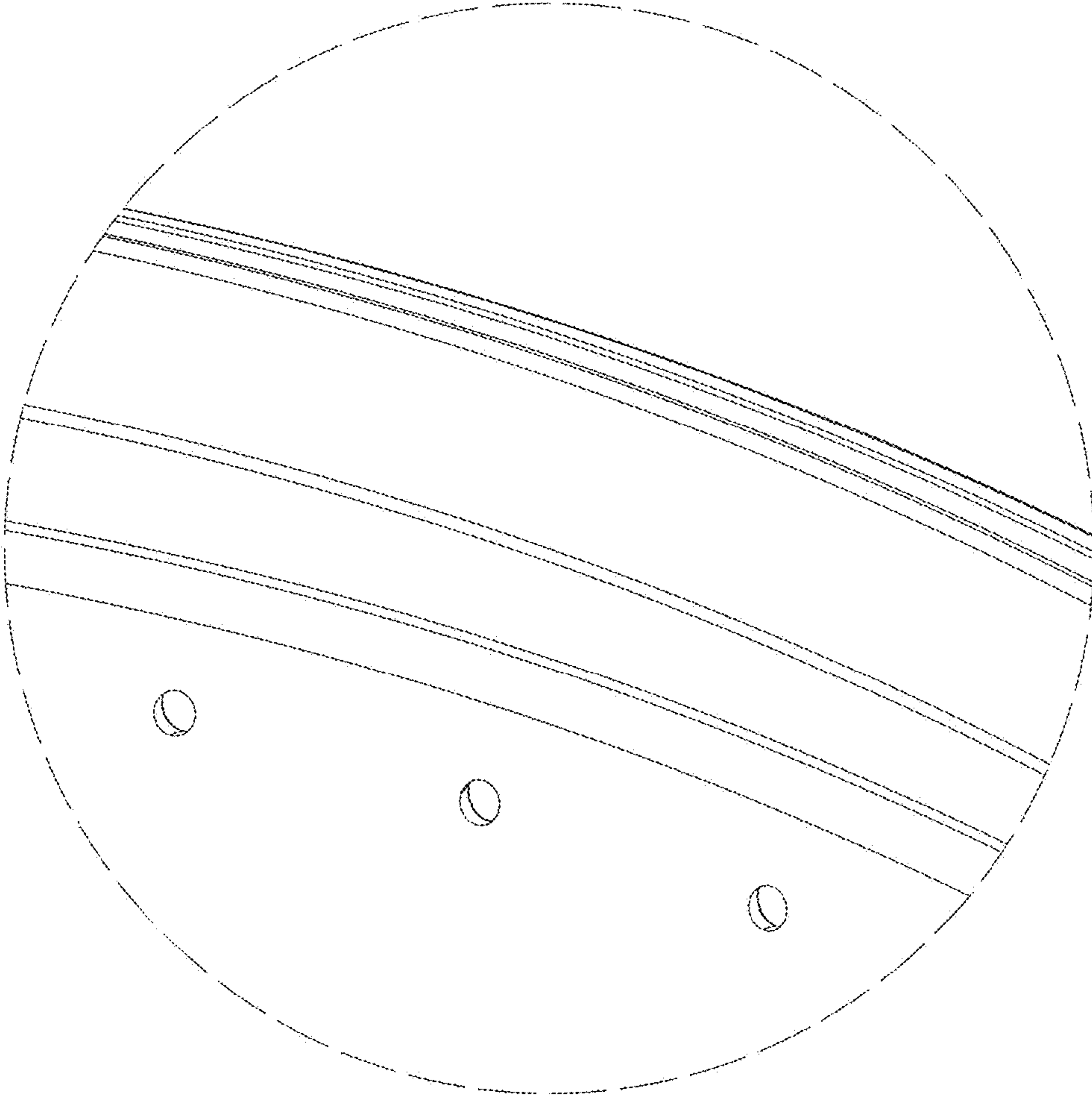


FIG. 10

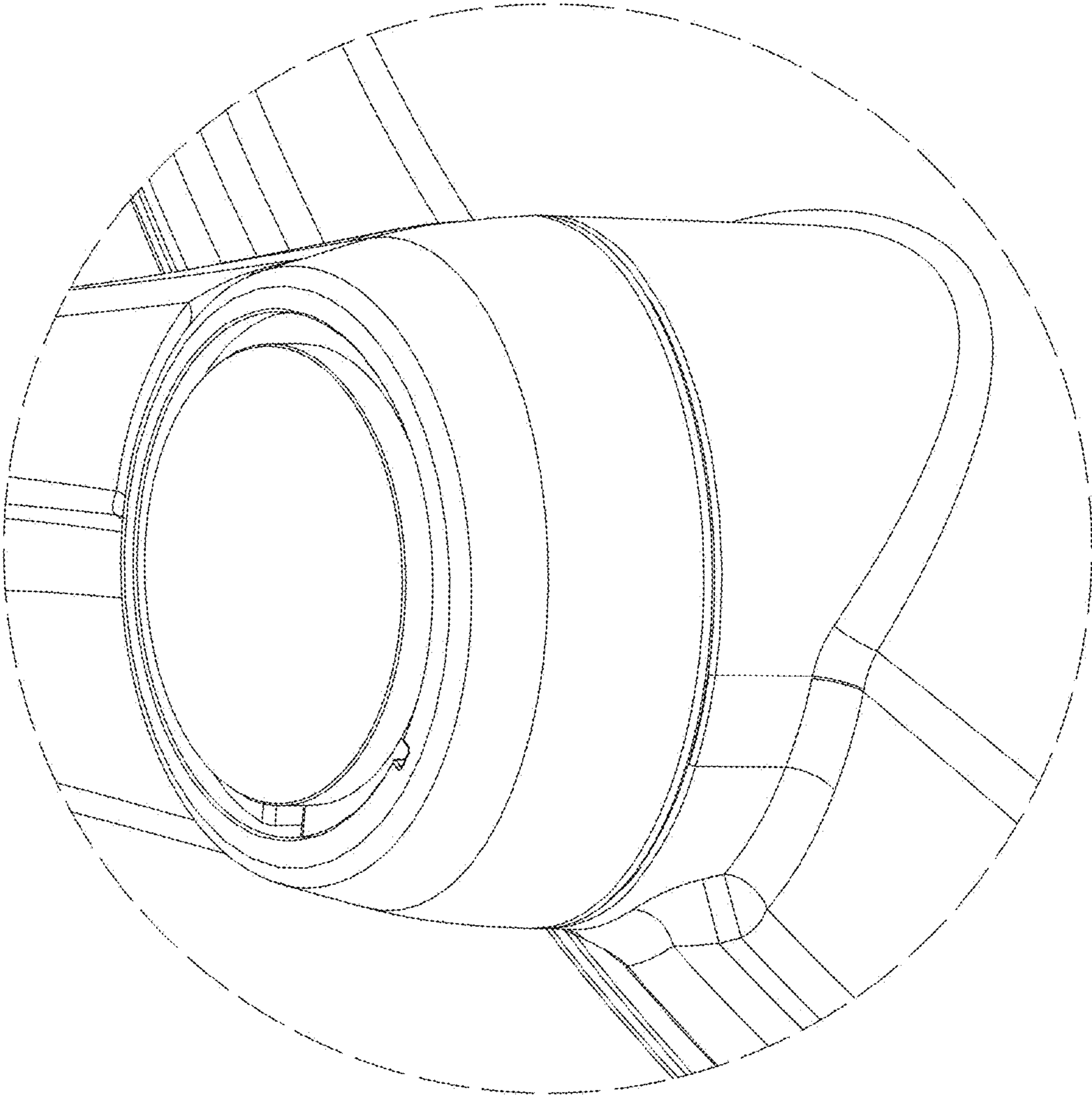


FIG. 11

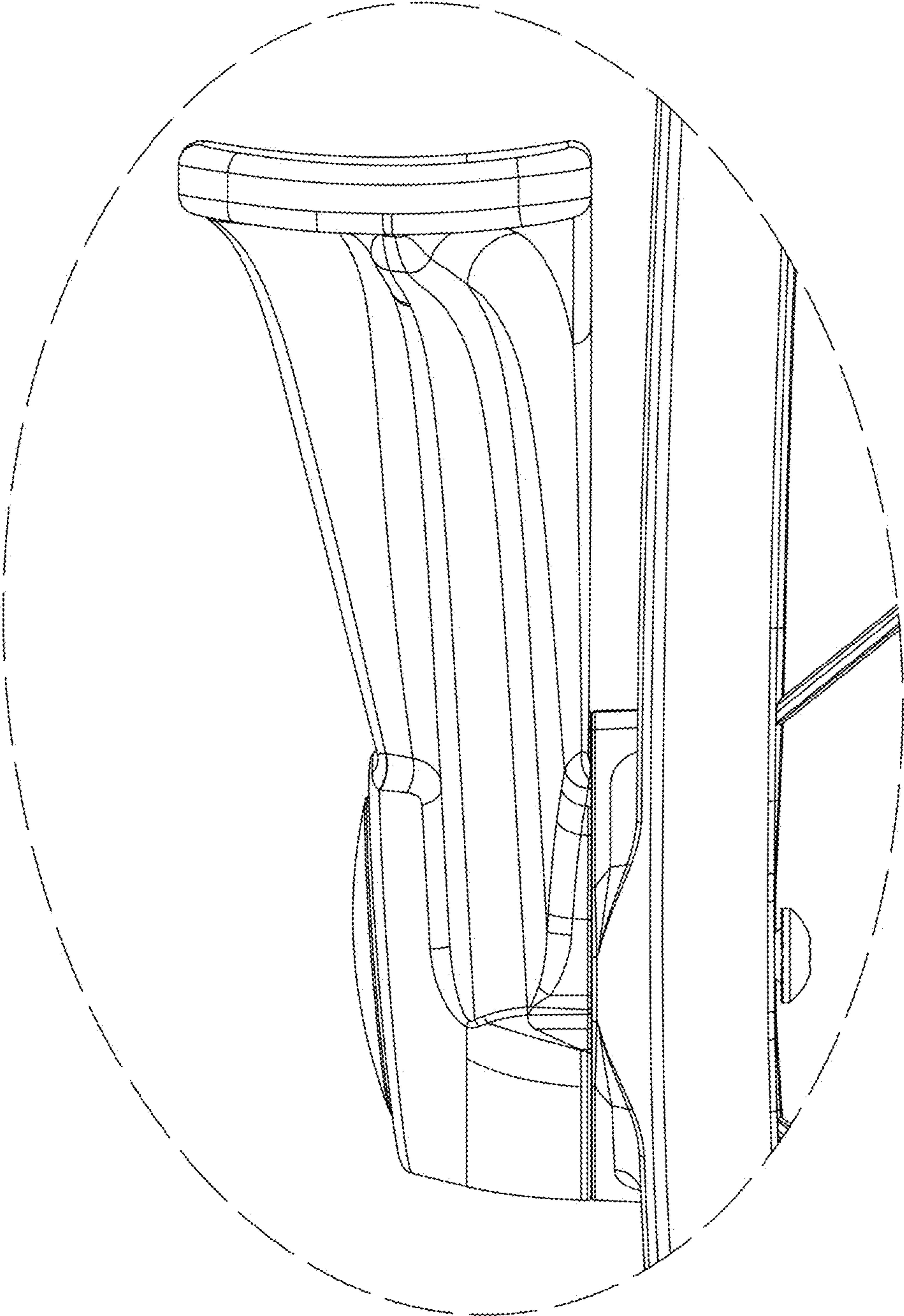


FIG. 12



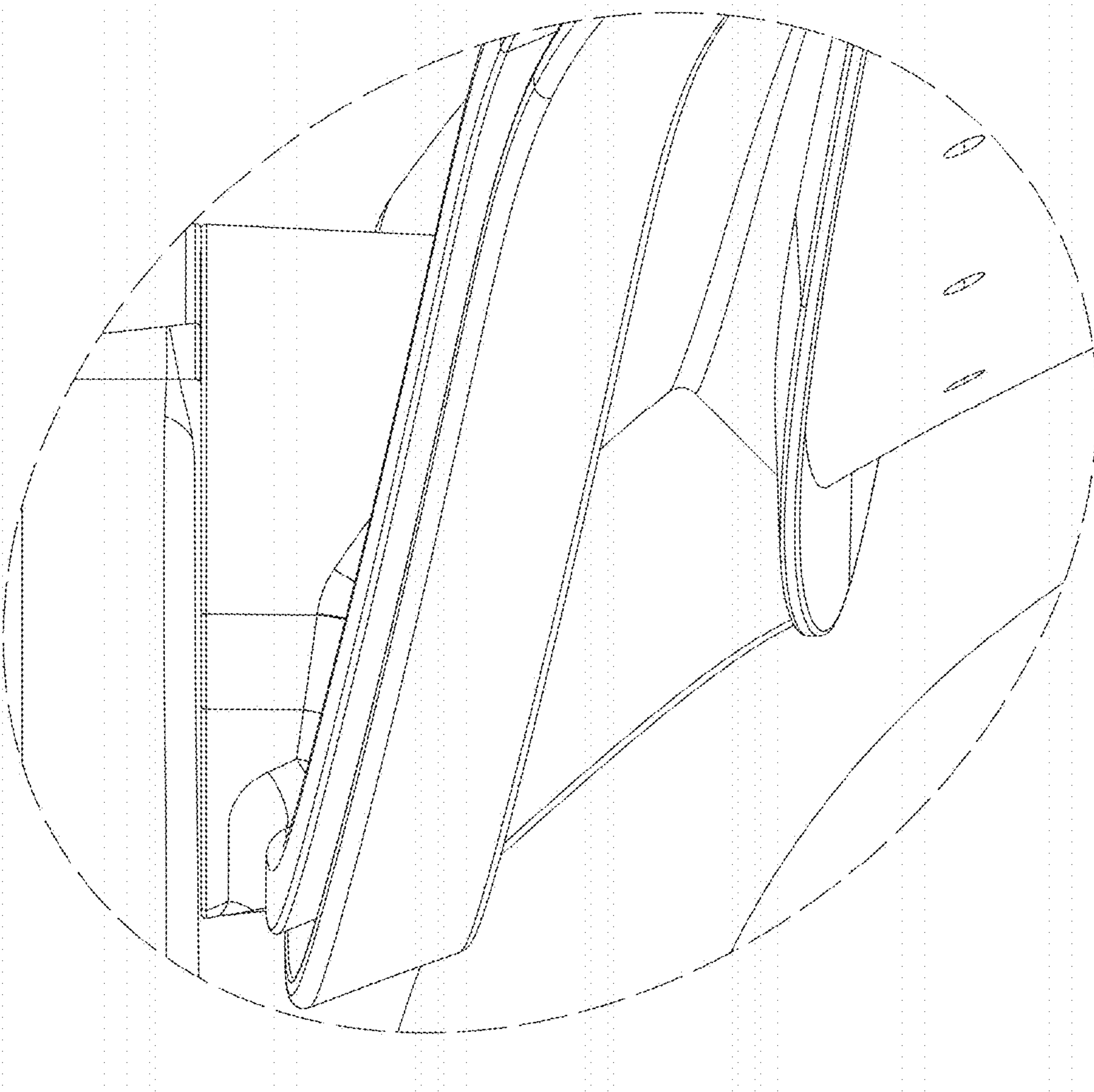


FIG. 13