



US00D910356S

(12) **United States Design Patent** (10) **Patent No.:** **US D910,356 S**
Johnson et al. (45) **Date of Patent:** **** Feb. 16, 2021**

(54) **LEG FOR DESK**

(56) **References Cited**

(71) Applicant: **Steelcase Inc.**, Grand Rapids, MI (US)

U.S. PATENT DOCUMENTS

(72) Inventors: **Brandon Johnson**, Byron Center, MI (US); **Penghao Shan**, Munich (DE); **John M. Allen**, Grand Rapids, MI (US); **Justin G. Beitzel**, Grand Rapids, MI (US); **Alban Moriniere**, Munich (DE); **William Bennie**, Rockford, IL (US)

925,853 A 6/1909 Tompkins
1,001,900 A 8/1911 Stark, Jr.
1,006,427 A 10/1911 Boraks
D171,182 S * 12/1953 Barga D6/650
D261,712 S * 11/1981 Ferdinand D6/691
4,748,913 A * 6/1988 Favaretto A47B 17/00
108/50.02

(73) Assignee: **Steelcase Inc.**, Grand Rapids, MI (US)

D296,738 S 7/1988 Hubert
D335,889 S 5/1993 Gibran

(Continued)

(**) Term: **15 Years**

OTHER PUBLICATIONS

(21) Appl. No.: **29/738,429**

Height Adjustable Desk, posted at Steelcase.com, posted on Apr. 24, 2019, site visited Oct. 5, 2020. online, available from internet: <https://web.archive.org/web/20190424030831/https://www.steelcase.com/products/desk-systems/steelcase-flex-collection/> (Year: 2019).*

(22) Filed: **Jun. 17, 2020**

Primary Examiner — Mary Ann Calabrese

Assistant Examiner — Catherine Ho

(74) *Attorney, Agent, or Firm* — Brinks Gilson & Lione

Related U.S. Application Data

(63) Continuation of application No. 29/662,256, filed on Sep. 4, 2018, now Pat. No. Des. 889,885, and a continuation of application No. 29/662,236, filed on Sep. 4, 2018.

(57) **CLAIM**

We claim the ornamental design for a leg for desk, as shown and described.

(51) **LOC (13) Cl.** **06-06**

(52) **U.S. Cl.**

USPC **D6/709**; D6/709.2

(58) **Field of Classification Search**

USPC D6/353, 368, 642, 644, 649, 651, 655, D6/655.1, 655.11, 655.12, 655.13, 655.14, D6/655.15, 655.16, 655.17, 655.18, 655.2, D6/655.21, 656, 656.11, 656.13, 656.15, D6/656.16, 656.17, 656.19, 657, 663, D6/686, 691, 709, 709.1, 709.2, 710, D6/711.1

CPC A47B 81/00; A47B 88/00; A47B 88/41; A47B 88/42; A47B 2210/16; B62B 3/00; B60B 33/00

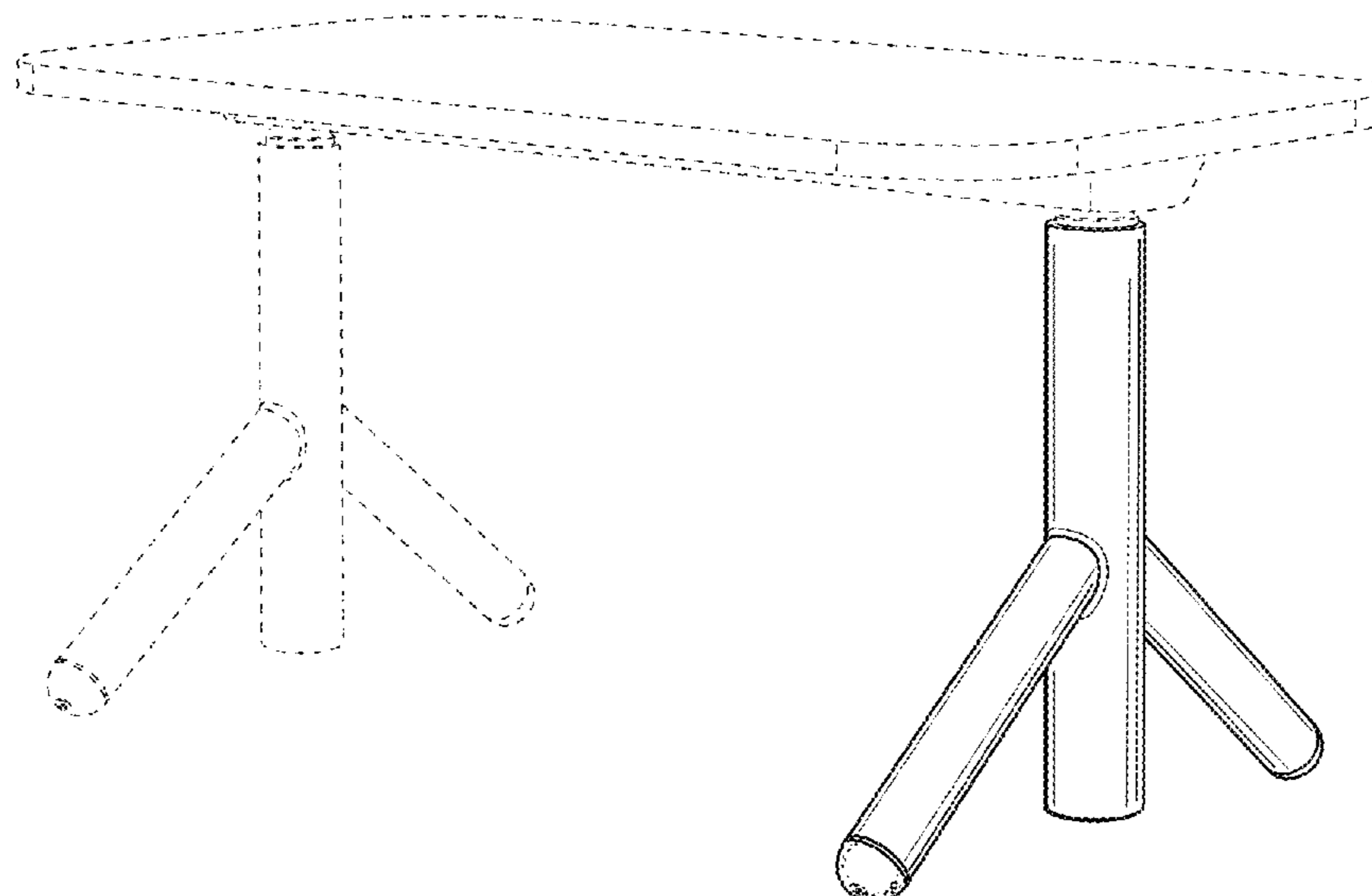
See application file for complete search history.

DESCRIPTION

FIG. 1 is a top perspective view of a leg for desk; FIG. 2 is a top plan view thereof; FIG. 3 is a bottom plan view thereof; FIG. 4 is a front elevation view thereof; FIG. 5 is a rear elevation view thereof; FIG. 6 is a left side elevation view thereof; FIG. 7 is a right side elevation view thereof; and, FIG. 8 is a top perspective view thereof with the desktop raised.

The broken line portions of the drawings are included to show features that form no part of the claimed design

1 Claim, 5 Drawing Sheets



(56)

References Cited

U.S. PATENT DOCUMENTS

D343,311 S * 1/1994 Ball D6/691
 D396,974 S * 8/1998 D'Urbino D6/691
 D426,988 S 6/2000 Desombre
 D441,224 S 5/2001 Scheper et al.
 D464,820 S * 10/2002 Kreiss D6/368
 D506,091 S * 6/2005 Cioncada D6/656
 D508,938 S 8/2005 Murray et al.
 D552,660 S 10/2007 Lee
 D591,539 S * 5/2009 Bracher D6/708
 D696,883 S 1/2014 Krusin
 D716,073 S * 10/2014 Hsu D6/654.17
 D716,592 S 11/2014 Belitz
 D723,311 S 3/2015 Jiang et al.
 D760,521 S 7/2016 Galiotto
 D768,419 S 10/2016 Galiotto
 D772,620 S 11/2016 Dahlstrom et al.
 D783,329 S * 4/2017 Merritt D6/708
 D808,204 S * 1/2018 Davis D6/691
 D809,839 S * 2/2018 Menayan D6/691.6
 9,901,168 B2 * 2/2018 Menayan A47B 9/00
 D818,751 S * 5/2018 Merritt D6/708
 D852,549 S * 7/2019 Angelini D6/656.13
 D861,383 S * 10/2019 Hu D6/656.17
 D882,988 S * 5/2020 Hu D6/656.17
 D887,191 S * 6/2020 Kim D6/708.16
 D889,169 S * 7/2020 Hu D6/656.16
 D889,885 S * 7/2020 Johnson D6/656.13
 D891,160 S * 7/2020 Karlsson D6/691.5
 D891,808 S * 8/2020 Zhu D6/376

* cited by examiner

FIG. 1

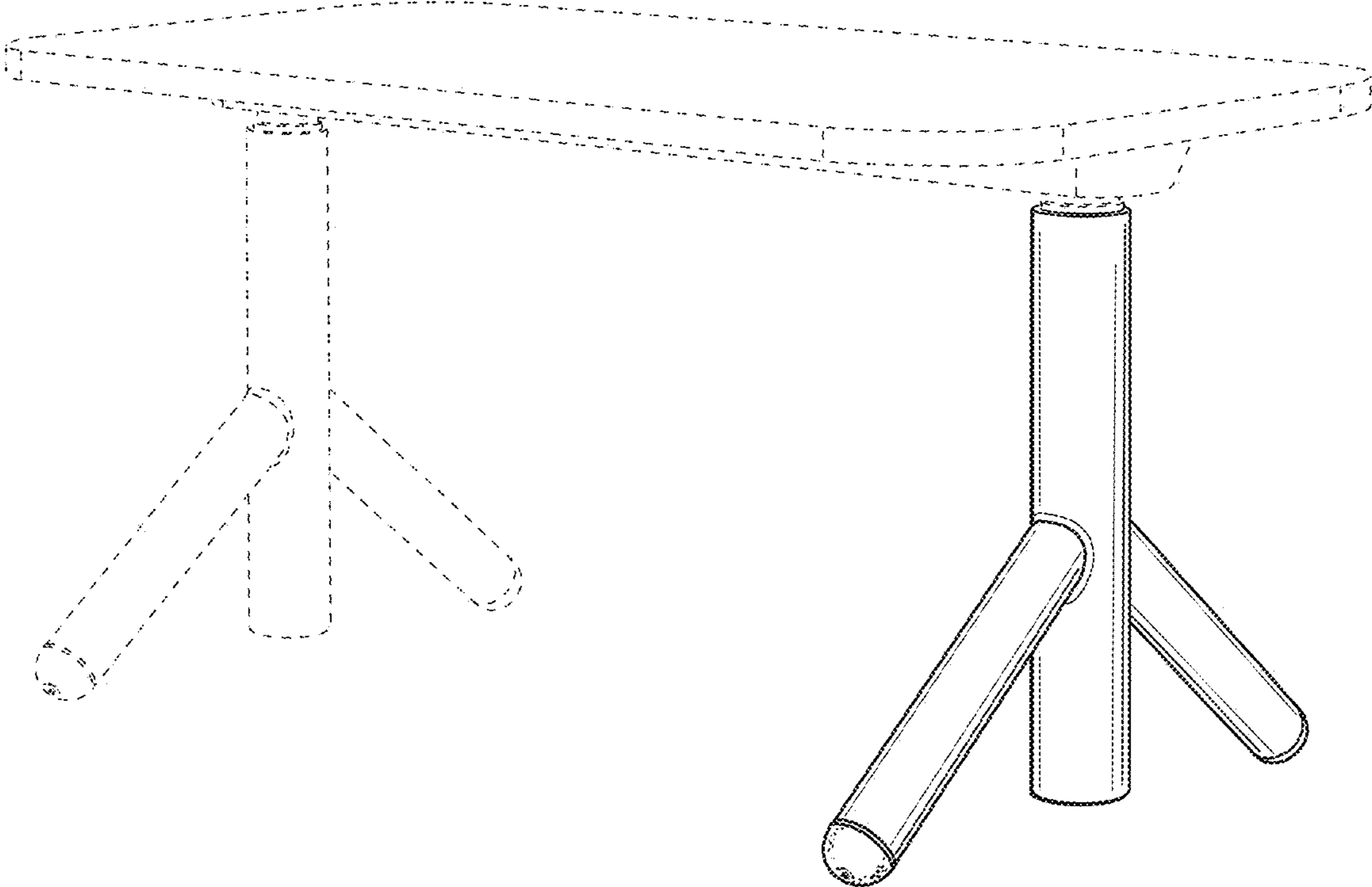


FIG. 2



FIG. 3



FIG. 4



FIG. 5



FIG. 6

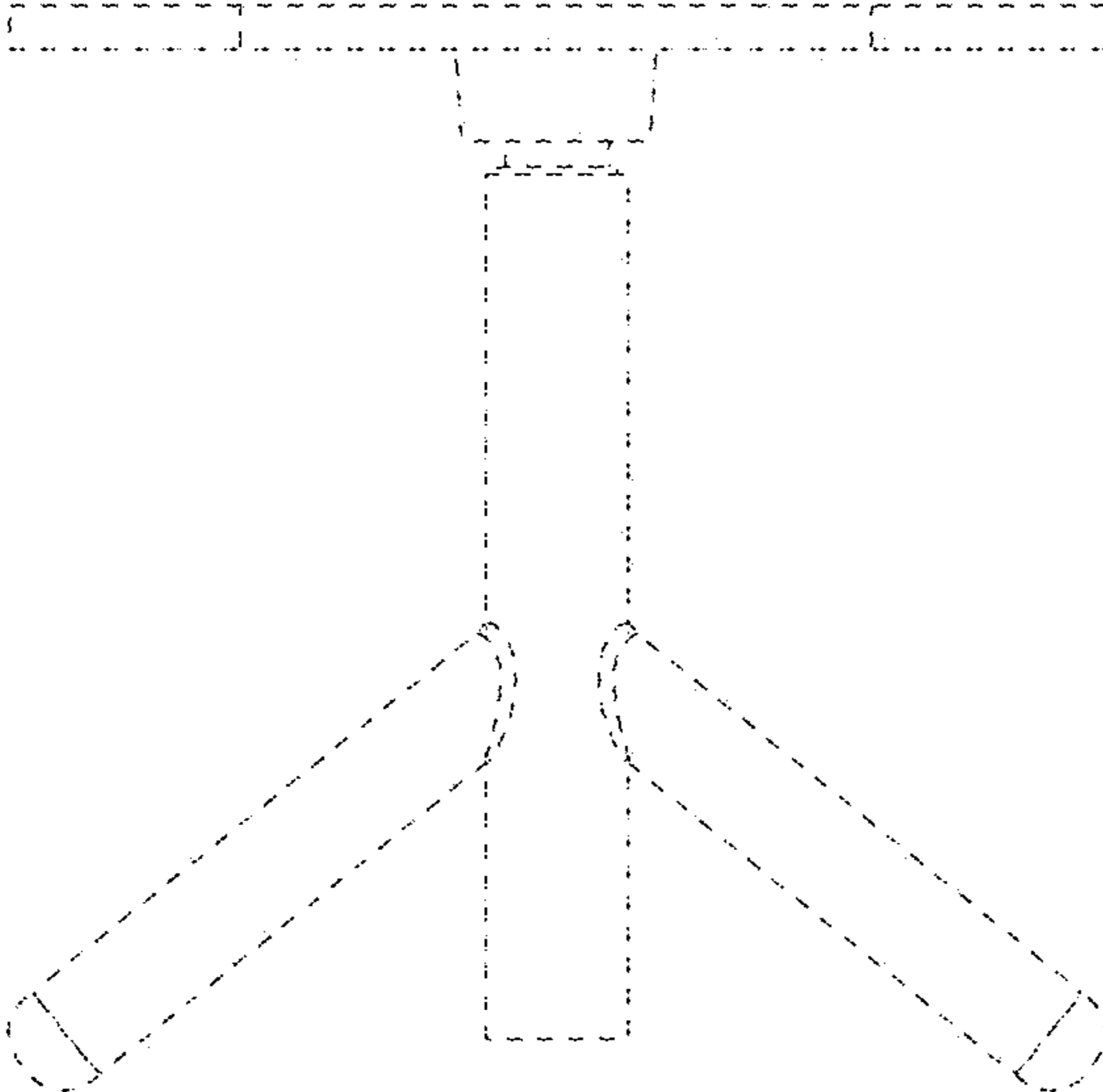


FIG. 7

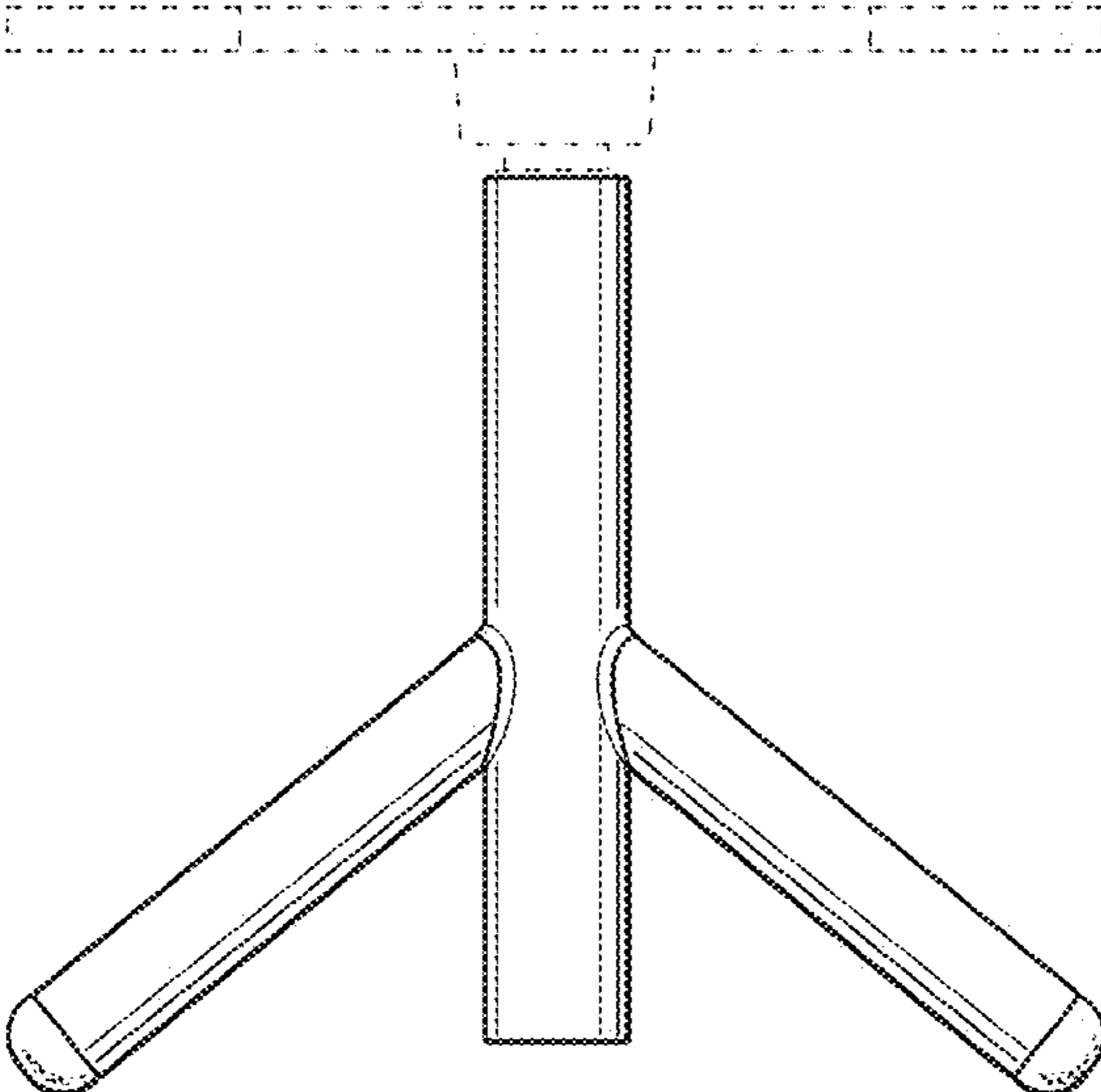


FIG. 8

