



US00D910355S

(12) **United States Design Patent**
Iulita

(10) **Patent No.:** **US D910,355 S**

(45) **Date of Patent:** **** Feb. 16, 2021**

- (54) **SEAT BASE**
- (71) Applicant: **StylGame S.r.l.**, Spilimbergo (IT)
- (72) Inventor: **Luigi Iulita**, Spilimbergo (IT)
- (**) Term: **15 Years**
- (21) Appl. No.: **29/687,398**
- (22) Filed: **Apr. 12, 2019**
- (30) **Foreign Application Priority Data**
 - Oct. 31, 2018 (EM) 005813540-0003
- (51) **LOC (13) Cl.** **06-01**
- (52) **U.S. Cl.**
USPC **D6/708.21**
- (58) **Field of Classification Search**
 - USPC D6/334-336, 364, 365, 366, 367, 374,
D6/379, 716, 716.1, 716.4, 716.5, 708,
D6/708.21
 - CPC A47C 3/12; A47C 3/20; A47C 4/02; A47C
4/03; A47C 5/06; A47C 7/62; A47C 9/00;
A47C 9/022; A47C 15/004; B60N 2/38;
B60N 2/68

See application file for complete search history.

| | | | | | |
|--------------|------|---------|---------|-------|-------------------------|
| 5,542,748 | A * | 8/1996 | Barile | | A47C 9/00 248/500 |
| 5,791,731 | A * | 8/1998 | Infanti | | A47C 9/022 297/217.3 |
| 6,572,187 | B2 * | 6/2003 | Laufer | | A47C 9/00 297/217.1 |
| 7,407,228 | B1 * | 8/2008 | Infanti | | A47C 15/004 248/500 |
| 8,052,218 | B2 * | 11/2011 | Grove | | A47C 3/20 297/440.22 |
| D742,128 | S * | 11/2015 | Mick | | D6/360 |
| D742,152 | S * | 11/2015 | Iulita | | D6/708.21 |
| 9,532,655 | B2 * | 1/2017 | Iulita | | A47C 15/004 |
| D846,930 | S * | 4/2019 | Patton | | D6/716 |
| D869,888 | S * | 12/2019 | Iulita | | D6/708.21 |
| 2006/0232109 | A1 * | 10/2006 | Olano | | A47C 9/00 297/195.11 |
| 2011/0168077 | A1 * | 7/2011 | Bostrom | | A47C 9/022 114/363 |

* cited by examiner

Primary Examiner — Mimosa De
(74) *Attorney, Agent, or Firm* — Themis Law

(57) **CLAIM**

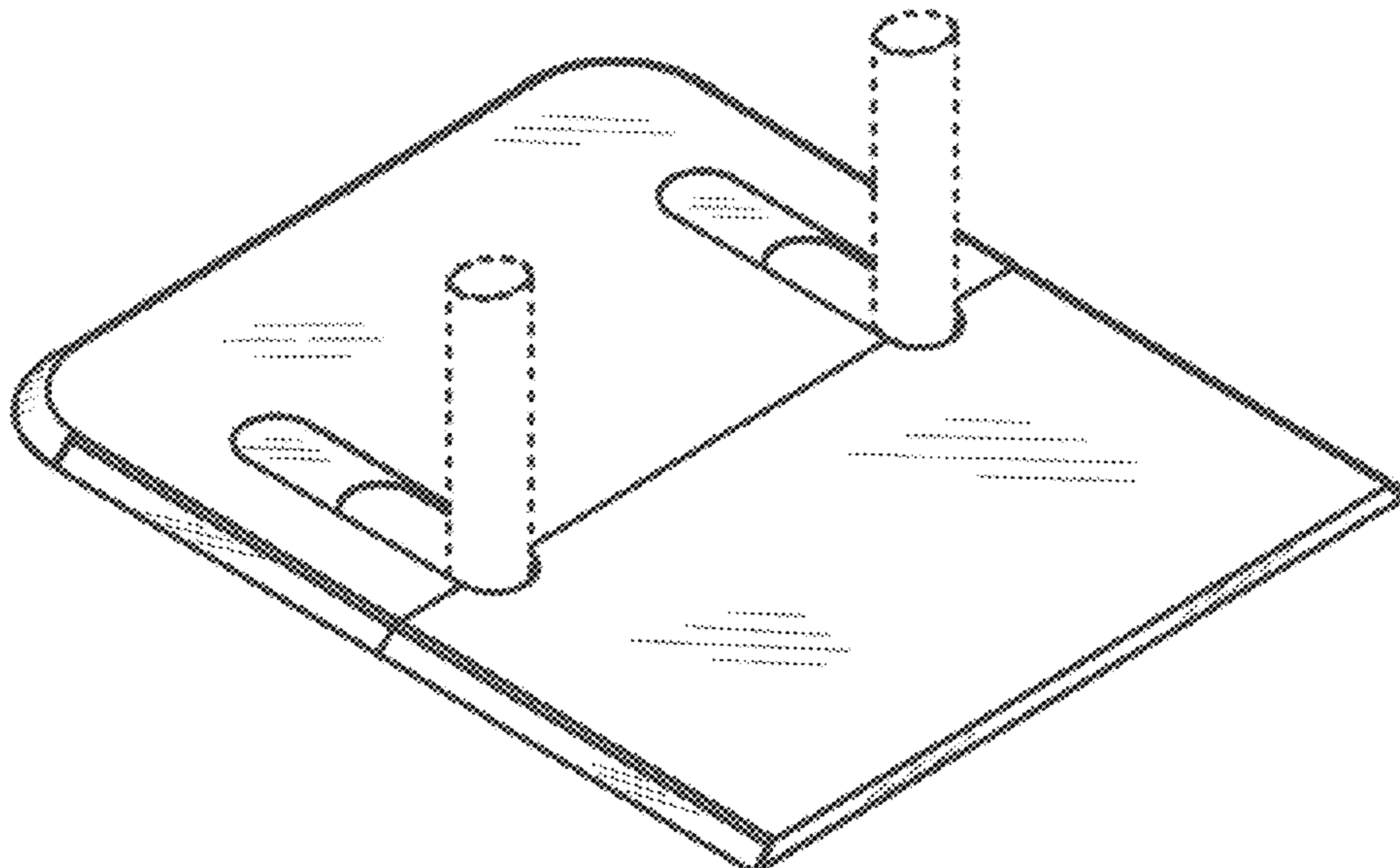
The ornamental design for a seat base, as shown.

DESCRIPTION

FIG. 1 is a front perspective view of a seat base showing my new design;
 FIG. 2 is a front elevational view thereof;
 FIG. 3 is a rear elevational view thereof;
 FIG. 4 is a right elevational view thereof;
 FIG. 5 is the left elevational view thereof;
 FIG. 6 is a top plan view thereof; and,
 FIG. 7 is a bottom plan view thereof.

The broken away symbols, in FIGS. 2, 3, 4, and 5 of the drawings, indicate the appearance of any portion of the article between the break lines forms no part of the claimed design.

1 Claim, 4 Drawing Sheets



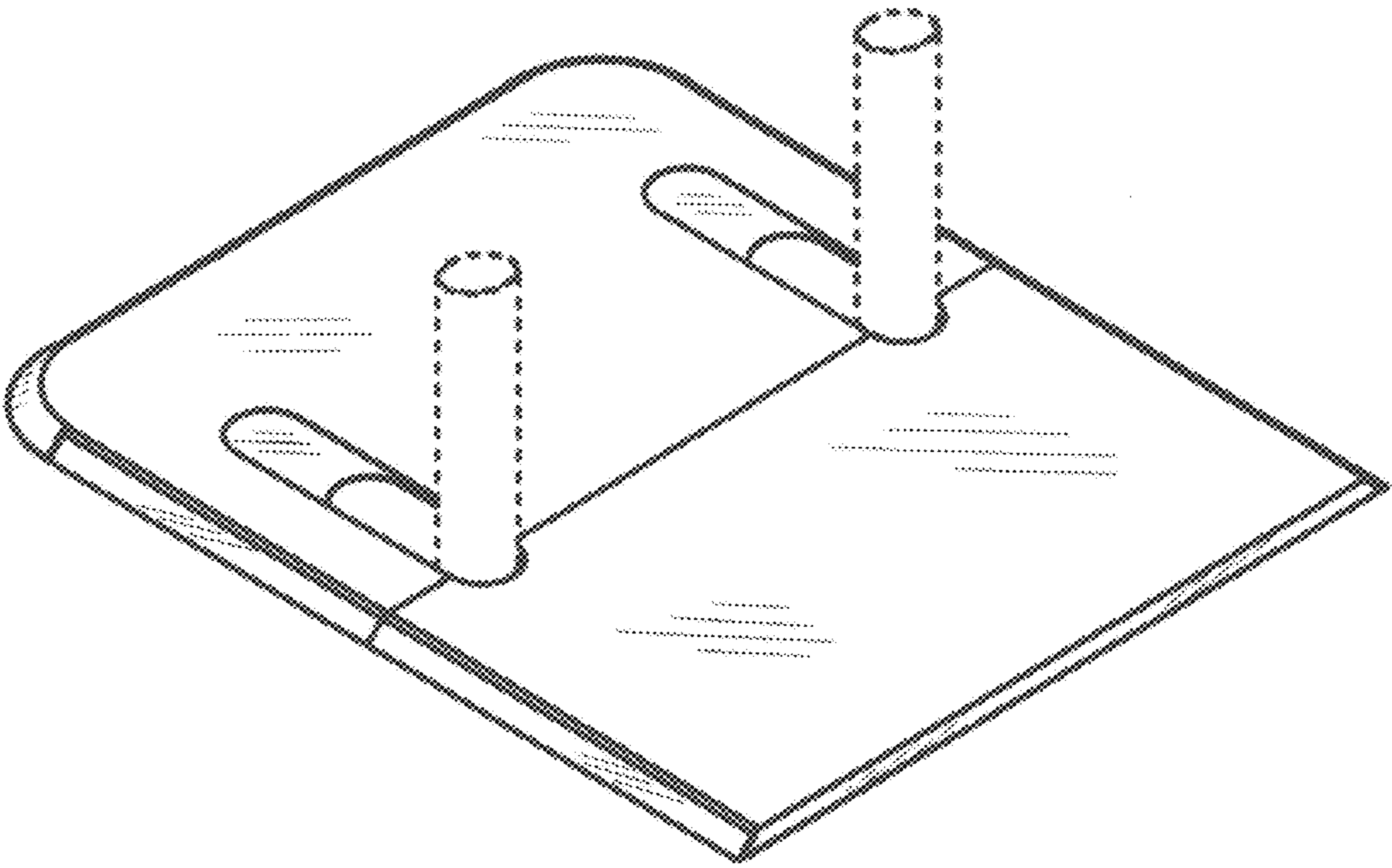


FIG. 1

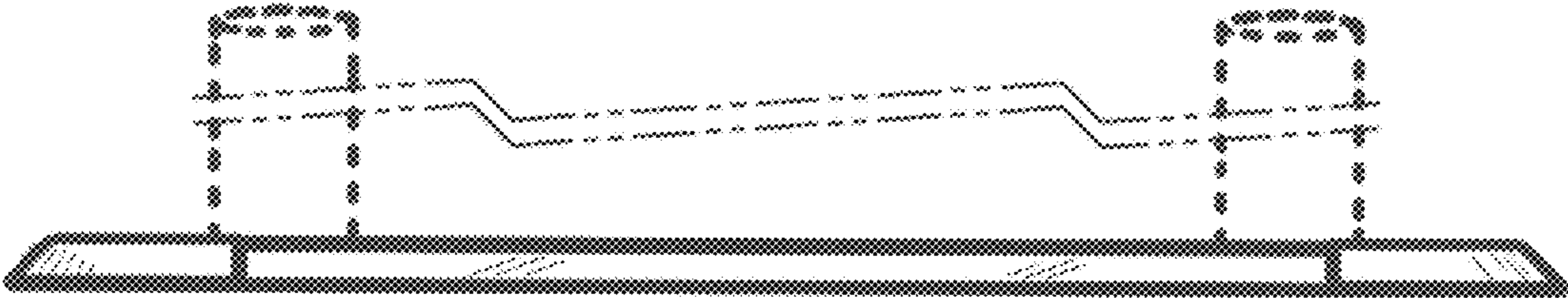


FIG. 2

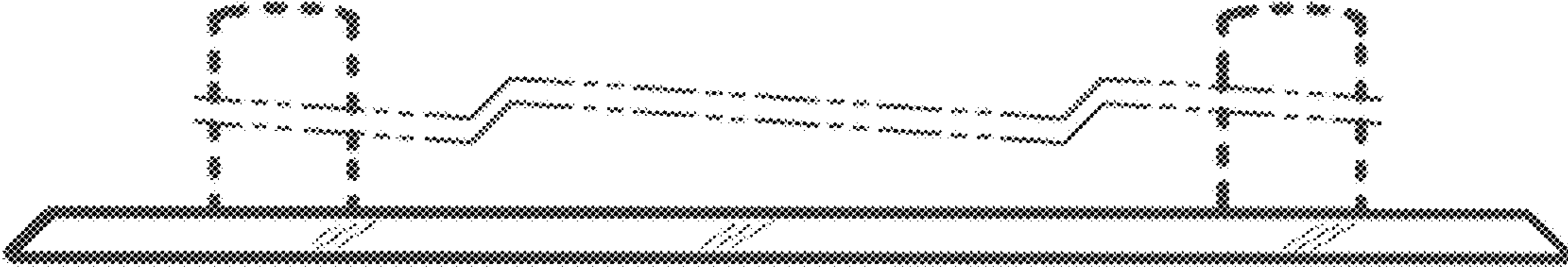


FIG. 3

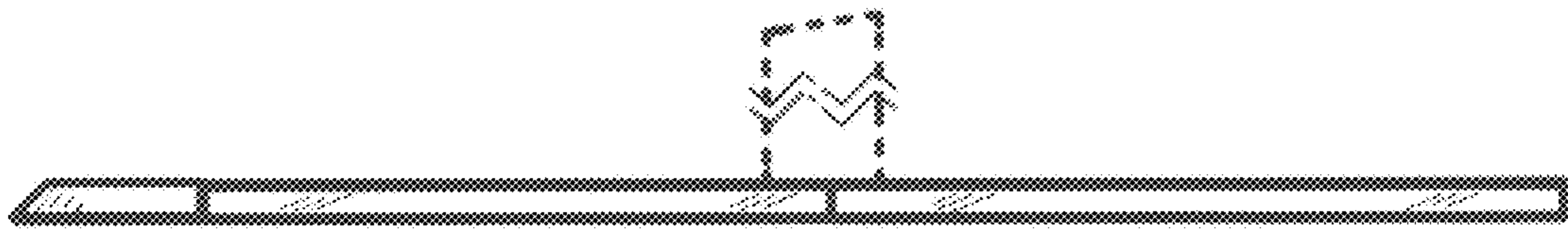


FIG. 4

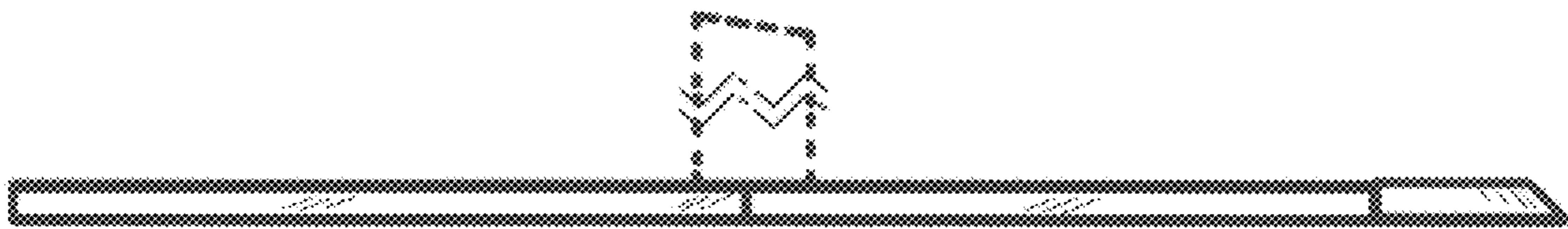


FIG. 5

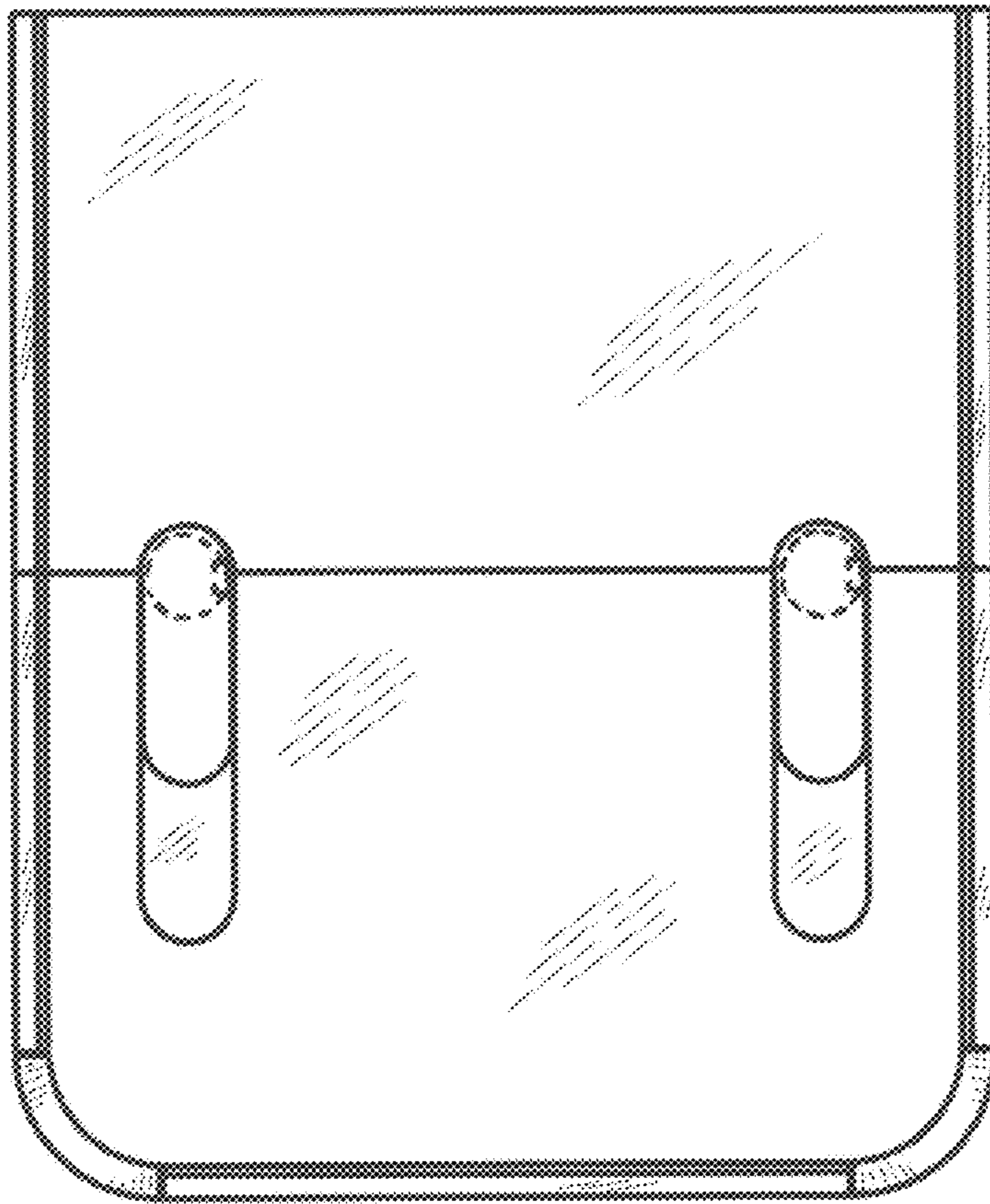


FIG. 6

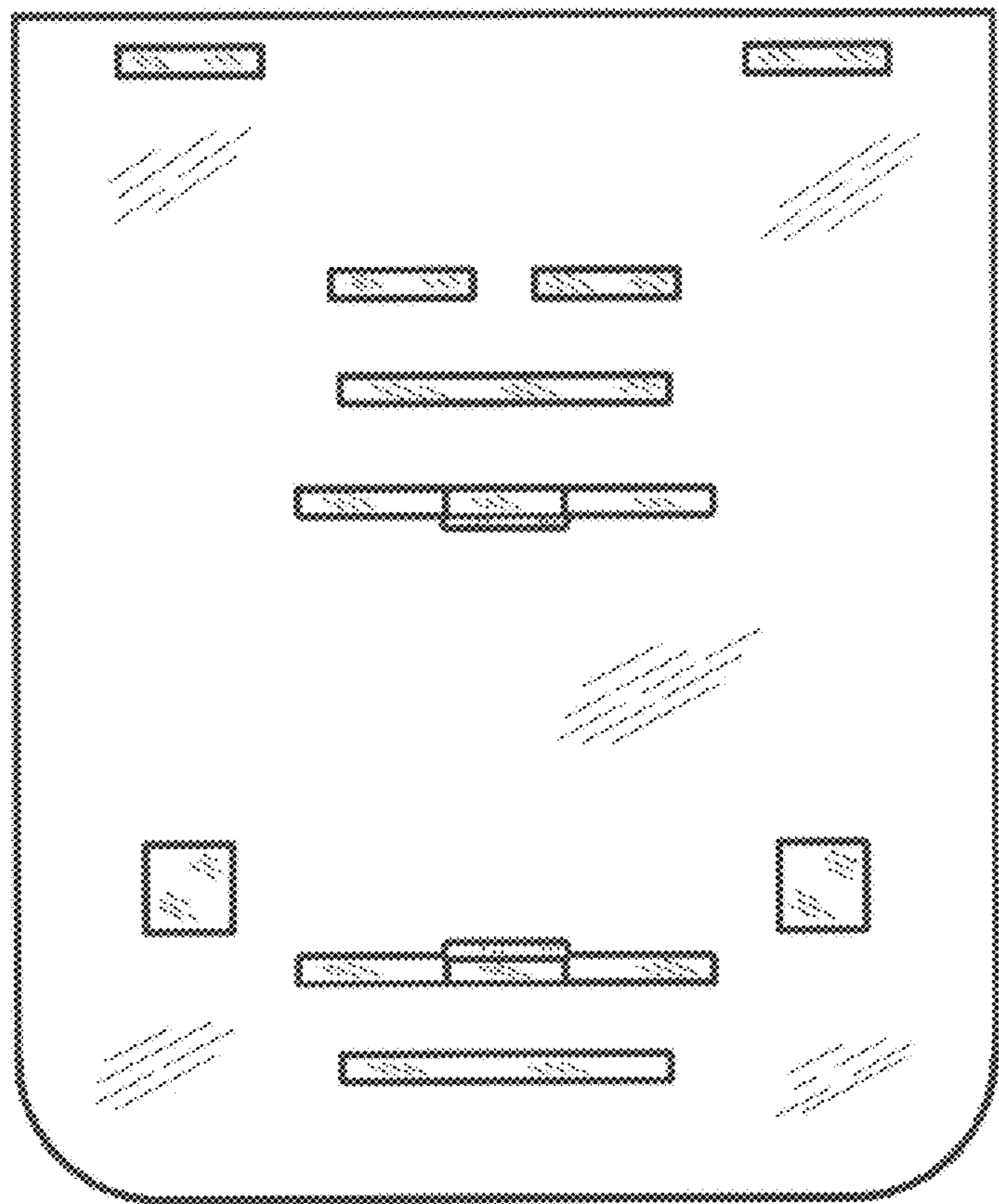


FIG. 7