



US00D910354S

(12) **United States Design Patent**  
**Xiang et al.**

(10) **Patent No.:** **US D910,354 S**

(45) **Date of Patent:** **\*\* Feb. 16, 2021**

(54) **ACCESSORY FOR TABLE**

(71) Applicant: **Loctek Inc.**, Fremont, CA (US)

(72) Inventors: **Lehong Xiang**, Zhejiang (CN); **Haoyu Ye**, Zhejiang (CN); **Suwei Zheng**, Zhejiang (CN)

(73) Assignee: **LOCTEK INC.**, Fremont, CA (US)

(\*\*) Term: **15 Years**

(21) Appl. No.: **29/686,054**

(22) Filed: **Apr. 2, 2019**

(30) **Foreign Application Priority Data**

Dec. 17, 2018 (CN) ..... 2018 3 0733049

(51) **LOC (13) Cl.** ..... **06-06**

(52) **U.S. Cl.**  
USPC ..... **D6/702; D6/709.2**

(58) **Field of Classification Search**

USPC ..... D6/685, 686, 691, 691.6, 692, 692.4,  
D6/702, 708, 709, 709.2, 709.21

CPC ..... A47B 7/00; A47B 13/00; A47B 13/02;  
A47B 97/00; A47B 2200/0002; A47B  
2200/0011

See application file for complete search history.

(56) **References Cited**

**U.S. PATENT DOCUMENTS**

4,399,754 A \* 8/1983 Emery ..... A47B 13/04  
108/159  
D499,585 S \* 12/2004 Williams ..... D6/709.21

D663,555 S \* 7/2012 Korb ..... D6/709  
D675,043 S \* 1/2013 Korb ..... D6/708  
D693,163 S \* 11/2013 Kapka ..... D6/709  
D750,405 S \* 3/2016 Muller ..... D6/708.17  
D796,236 S \* 9/2017 Menayan ..... D6/691.6  
D802,346 S \* 11/2017 Bouroullec ..... A47B 13/04  
D6/709.2  
D822,418 S \* 7/2018 Swy ..... D6/708  
D839,649 S \* 2/2019 Lawson ..... D6/709

\* cited by examiner

*Primary Examiner* — Mary Ann Calabrese

(74) *Attorney, Agent, or Firm* — Muncy, Geissler, Olds & Lowe, PC

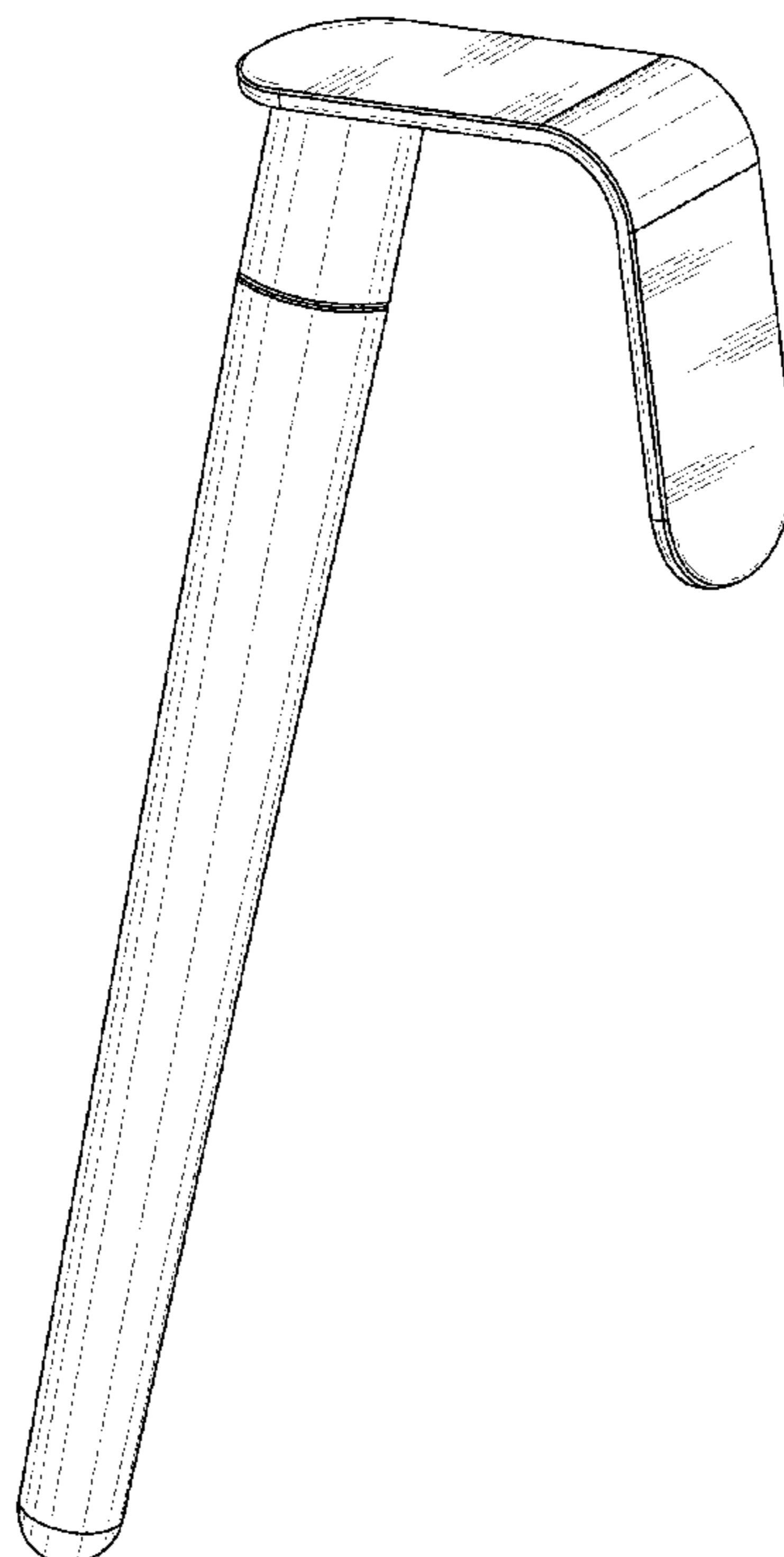
(57) **CLAIM**

The ornamental design for an accessory for table, as shown and described.

**DESCRIPTION**

FIG. 1 is a Front elevational view for an accessory for table showing my new design;  
FIG. 2 is a Rear elevational view thereof;  
FIG. 3 is a Left side view thereof;  
FIG. 4 is a Right side view thereof;  
FIG. 5 is a Top plan view thereof;  
FIG. 6 is a Bottom plan view thereof; and,  
FIG. 7 is a Perspective view thereof.

**1 Claim, 7 Drawing Sheets**



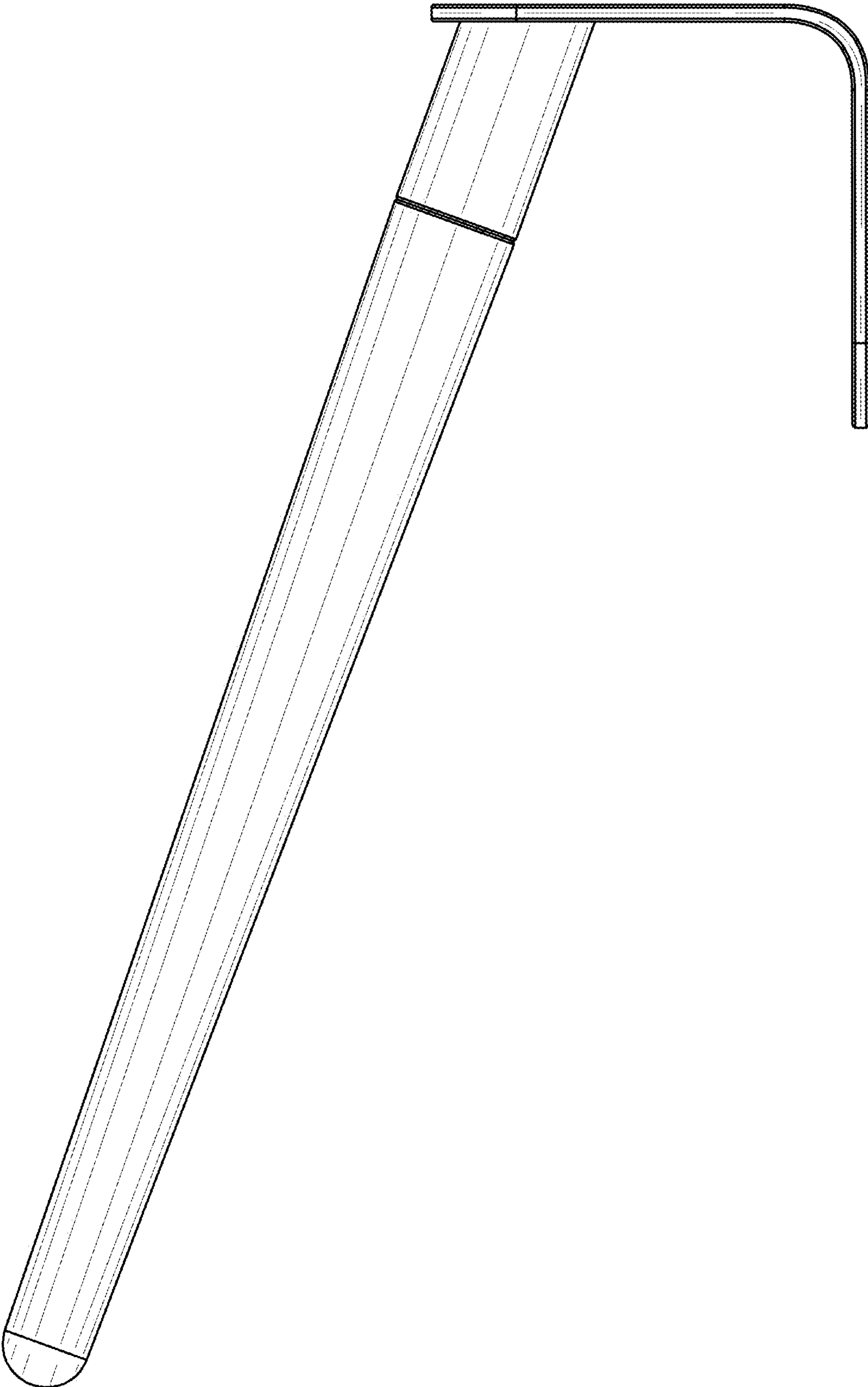


FIG. 1

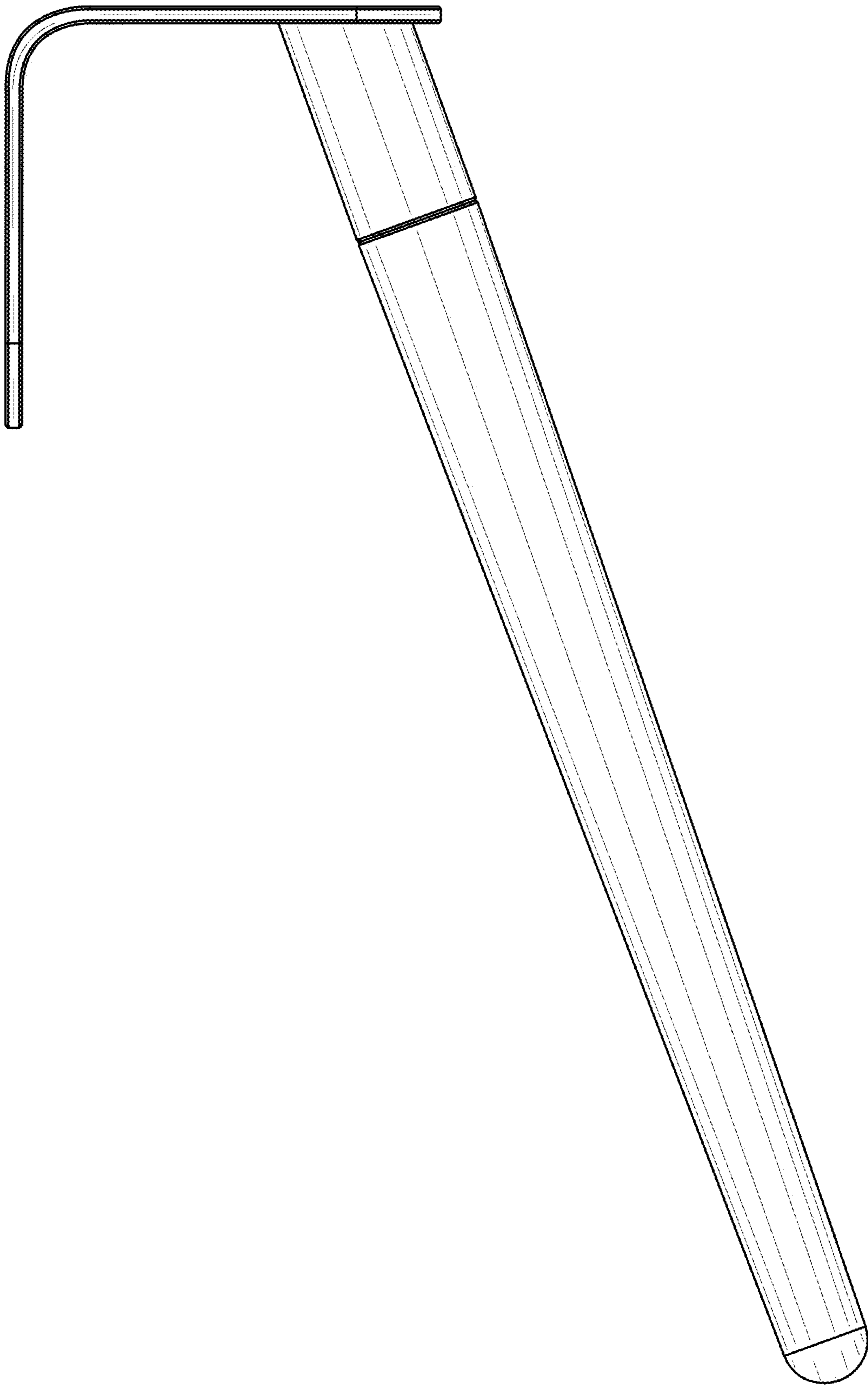


FIG. 2

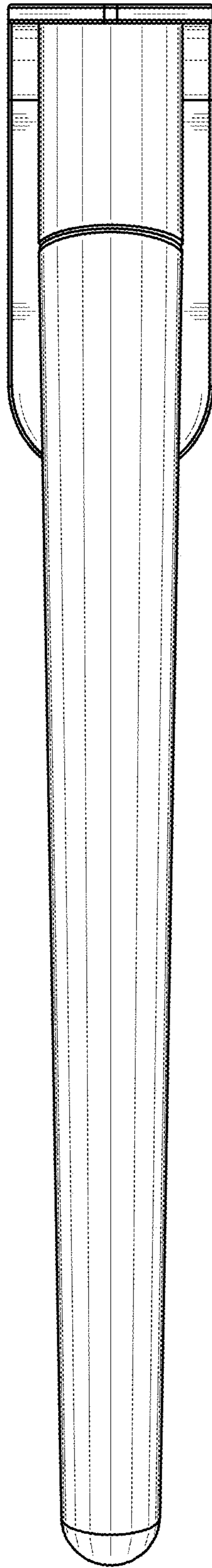


FIG. 3

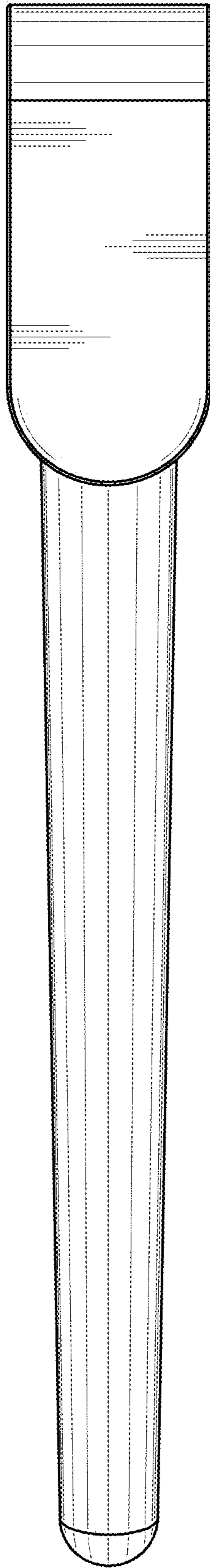


FIG. 4

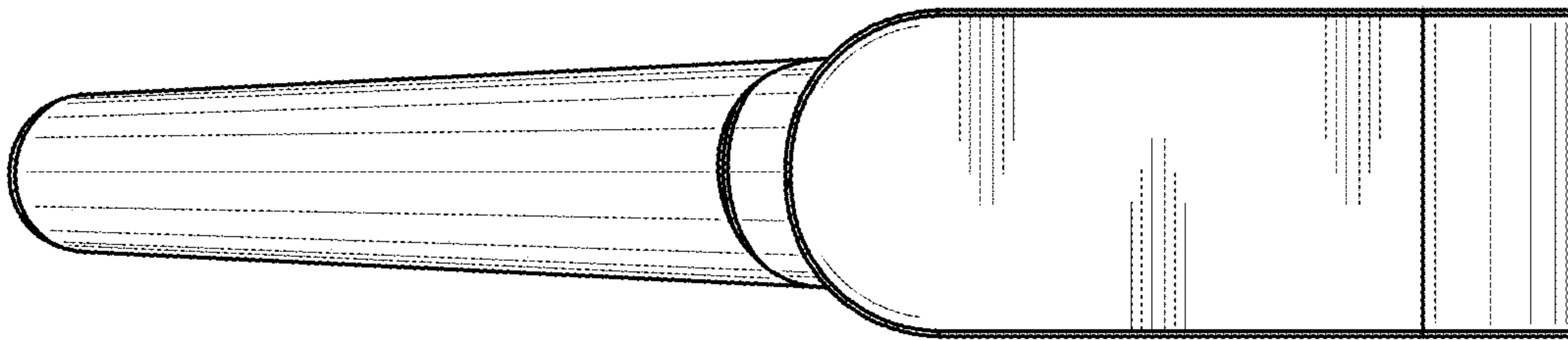


FIG. 5

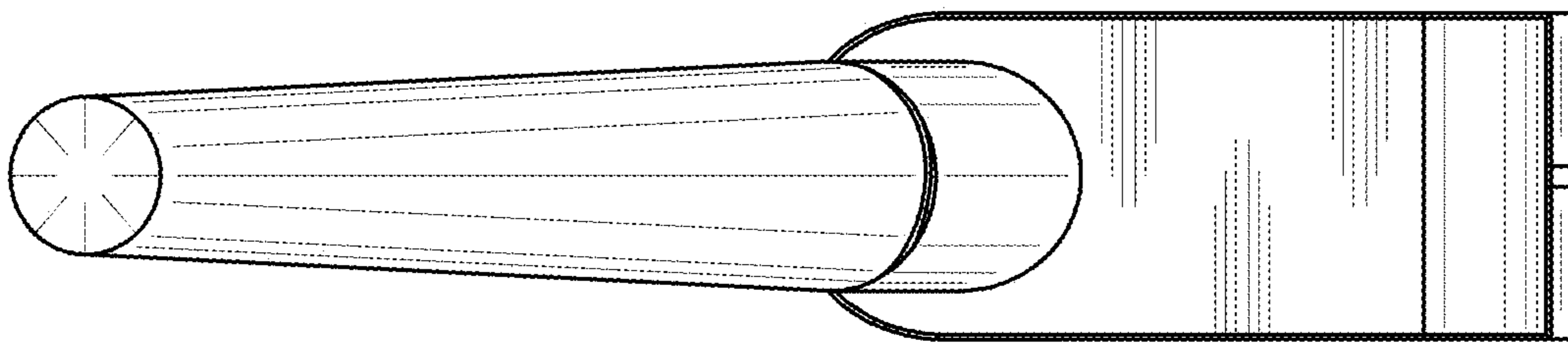


FIG. 6



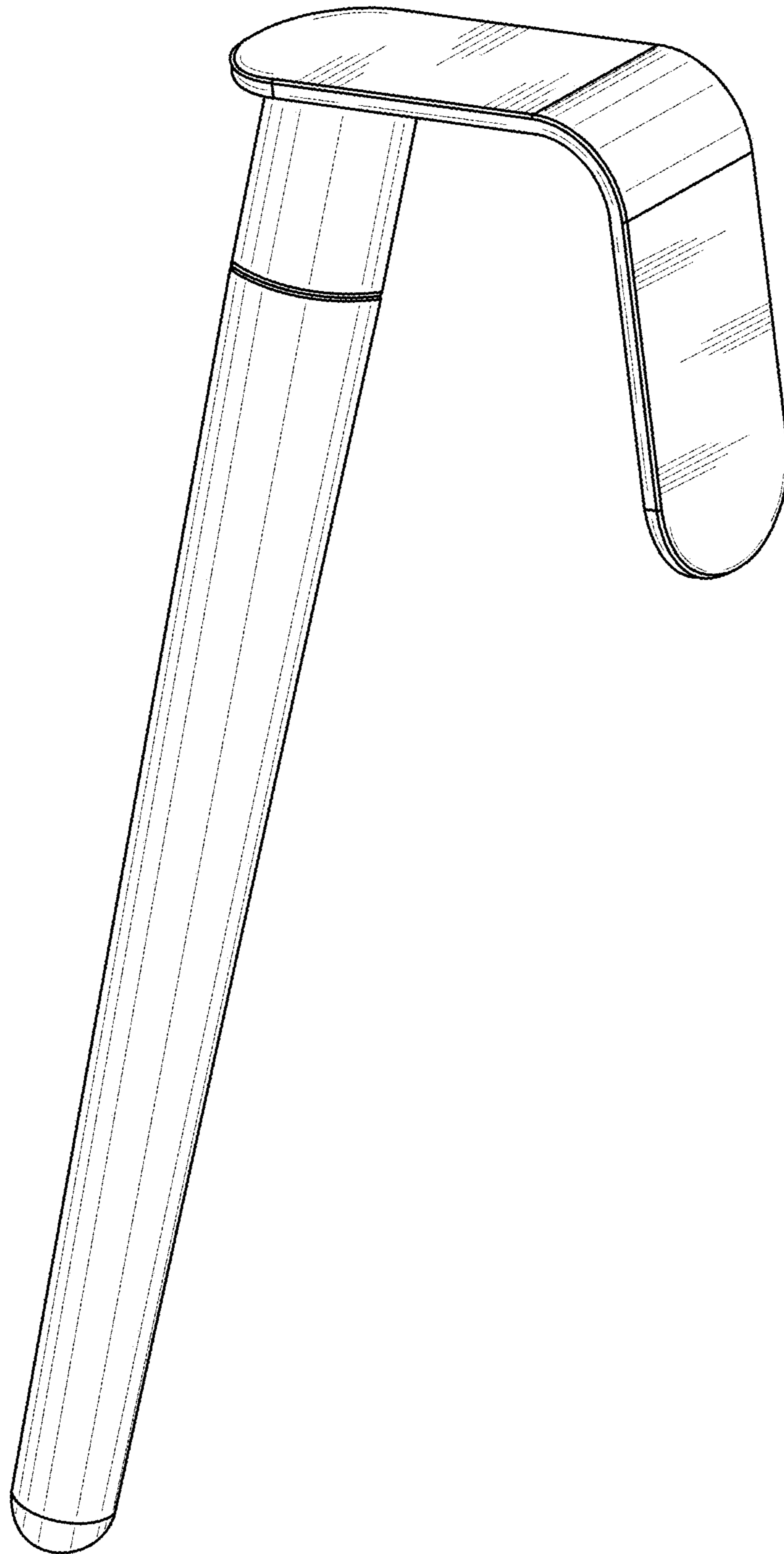


FIG. 7