

US00D910350S

(12) **United States Design Patent** (10) **Patent No.:** **US D910,350 S**
Chiang (45) **Date of Patent:** **** Feb. 16, 2021**

(54) **DISPLAY STAND**
(71) Applicant: **MyGift Enterprise, LLC**, Woodinville, WA (US)
(72) Inventor: **Cliff Chiang**, Woodinville, WA (US)
(**) Term: **15 Years**
(21) Appl. No.: **29/701,884**
(22) Filed: **Aug. 15, 2019**
(51) **LOC (13) Cl.** **20-02**
(52) **U.S. Cl.**
USPC **D6/681**
(58) **Field of Classification Search**
USPC D6/672, 675, 675.5, 680.2, 680.3, 681, D6/681.1, 681.2, 681.3, 682.2, 682.4, D6/682.6, 683
CPC A47F 5/0006; A47F 5/0031; A47F 3/14; A47F 5/01; A47F 7/02; A47F 7/022; A47F 7/06
See application file for complete search history.

4,592,473 A * 6/1986 Efrom D06F 57/00 211/189
D295,337 S * 4/1988 Bogart 280/35
4,936,466 A * 6/1990 Nava A47F 7/02 206/566
D332,881 S * 2/1993 Blackburn D19/82
D336,574 S * 6/1993 Rhodes D6/681.3
D338,117 S * 8/1993 Caldwell D6/682.2
D352,190 S * 11/1994 Tucker D6/681.1
5,406,717 A * 4/1995 Dofka D06F 59/04 211/37
D370,370 S * 6/1996 Brown D6/681.2
(Continued)

OTHER PUBLICATIONS

MyGift Necklace Display, https://www.amazon.com/MyGift-Brass-Tone-20-Hook-Necklace-Display/dp/B07F6RQRGD/ref=pd_ybh_a_11?_encoding=UTF8&refRID=4AC6105YBBR0KJE9CSYF&th=1 (Year: 2020).*

(Continued)

Primary Examiner — Steven J Cxyz
(74) *Attorney, Agent, or Firm* — Dean A. Craine, P.S.

(57) **CLAIM**

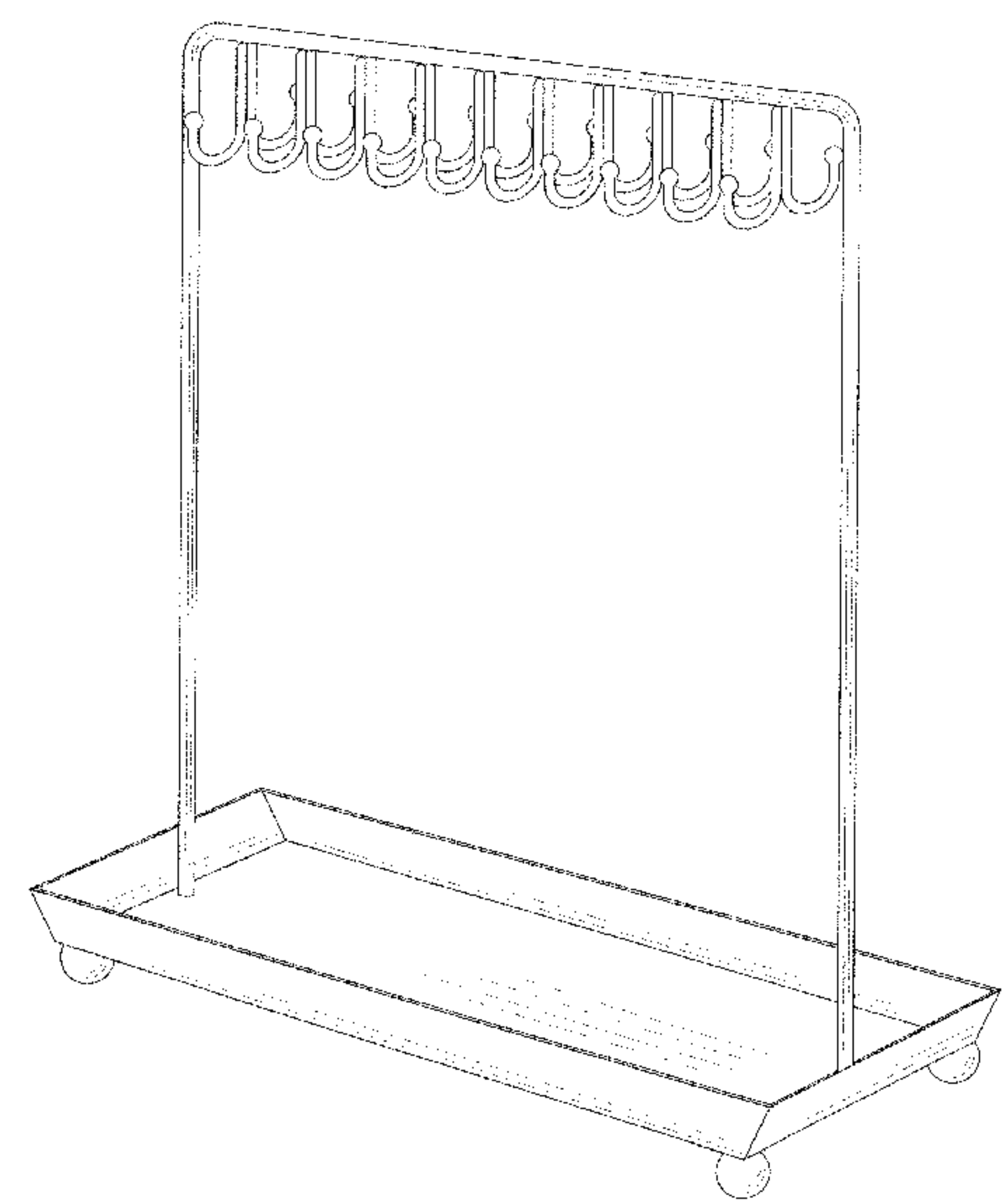
The ornamental design for a display stand, as shown and described.

DESCRIPTION

FIG. 1 is a front perspective view of a display stand showing my new design.
FIG. 2 is a front elevational view thereof, the rear elevational view being a mirror image.
FIG. 3 is a top plan view thereof.
FIG. 4 is a bottom plan view thereof.
FIG. 5 is a left-side elevational view thereof, the right side elevational view being a mirror image; and,
FIG. 6 is a sectional view of the invention taken along line 6-6 in FIG. 2.

1 Claim, 6 Drawing Sheets

(56) **References Cited**
U.S. PATENT DOCUMENTS
2,473,047 A * 6/1949 Bershad D06F 57/12 211/189
D168,448 S * 12/1952 Honnnner et al. D6/672
3,144,946 A * 8/1964 Ellis F16B 7/1418 211/182
D219,707 S * 1/1971 Stuart et al. D7/698
3,705,731 A * 12/1972 Berchak B62B 3/02 280/651
D235,948 S * 7/1975 Nerrrie et al. D6/681.1
3,946,878 A * 3/1976 Stoveken B42D 17/00 211/124
3,997,050 A * 12/1976 Patterson A45C 11/16 206/566
D244,913 S * 7/1977 Brandenfels D6/675.1
D248,915 S * 8/1978 Brandenfels D6/672
D253,141 S * 10/1979 Gordon D6/681.3
D270,789 S * 10/1983 Blanco D6/682.6



(56)

References Cited

U.S. PATENT DOCUMENTS

5,603,341 A * 2/1997 Johnson A47L 23/20
134/62
D394,762 S * 6/1998 Greiner D6/657
5,762,184 A * 6/1998 Greiner A47F 5/10
206/6.1
D396,363 S * 7/1998 Skrum D6/682.2
D412,414 S * 8/1999 Gingrich D6/675.5
D419,335 S * 1/2000 Kopala, Jr. D6/672
D464,508 S * 10/2002 Wilfer D6/552
D465,352 S * 11/2002 Kim D6/681
6,745,909 B1 * 6/2004 Lai A47G 25/0664
211/204
D538,066 S * 3/2007 Wagner D6/681.1
D543,382 S * 5/2007 Glassenberg D6/678.4
D563,694 S * 3/2008 Mitchell D6/682.6
D571,124 S * 6/2008 Strause D6/682.6
7,451,882 B2 * 11/2008 McKay A47F 5/02
211/85.2
D610,367 S * 2/2010 Mandel D6/682.6
D610,370 S * 2/2010 Quan D6/681.3
D622,084 S * 8/2010 Stukenberg D6/682.6
8,020,716 B2 * 9/2011 Vitale A47F 7/00
211/197
D679,117 S * 4/2013 Werner D6/682.4
D692,261 S * 10/2013 Sharp D6/672
D716,078 S * 10/2014 Theisen D6/675
D735,412 S * 7/2015 Coleman D28/61
9,107,514 B1 * 8/2015 Morieras A47F 7/02
D749,879 S * 2/2016 Wall D6/680.3
D785,979 S * 5/2017 Snider D6/675.1
10,092,116 B1 * 10/2018 Johns A47F 7/022
D842,014 S * 3/2019 Qiu D6/681.2
D848,187 S * 5/2019 Lee D6/681.1

10,299,569 B1 * 5/2019 Taylor A45D 44/06
10,337,136 B1 * 7/2019 Fallah A47B 61/02
10,470,592 B1 * 11/2019 Walker A47G 25/005
D871,808 S * 1/2020 Thompson D6/680.2
D873,589 S * 1/2020 Pilat D6/682.6
D888,473 S * 6/2020 Li D6/682.6
D888,474 S * 6/2020 Li D6/682.6
2004/0129661 A1 * 7/2004 Segall A47G 25/0664
211/206
2007/0051686 A1 * 3/2007 Sausman D06F 57/06
211/85.3
2007/0272642 A1 * 11/2007 Baptiste A47B 43/00
211/201
2014/0262659 A1 * 9/2014 Hirsch A47G 25/0685
190/13 R
2017/0071302 A1 * 3/2017 McKelvey A45C 13/005

OTHER PUBLICATIONS

Portin, https://www.amazon.com/dp/B07QDXQFH5/ref=sspa_dk_detail_2?psc=1&pd_rd_i=B07QDXQFH5&pd_rd_w=1bBDy&pf_rd_p=48d372c1-f7e1-4b8b-9d02-4bd86f5158c5&pd_rd_wg=XC5ct&pf_rd_r=FEB0XKYSA7HM4KJE7TP2&pd_rd_r=b3204a00-a58c-4eed-8175-4b762ea3e2e0&spLa=ZW5jcnIwdGVkUXVhbGImaWVyPUExTFdNQ0hSWkhBVkJDJmVuY3J5cHR (Year: 2020).
Arad, https://www.amazon.com/dp/B01K7YRURO/ref=sspa_dk_detail_2?psc=1&pd_rd_i=B01K7YRURO&pd_rd_w=1bBDy&pf_rd_p=48d372c1-f7e1-4b8b-9d02-4bd86f5158c5&pd_rd_wg=XC5ct&pf_rd_r=FEB0XKYSA7HM4KJE7TP2&pd_rd_r=b3204a00-a58c-4eed-8175-4b762ea3e2e0&smid=AYK2IYC3WT9F3&spLa=ZW5jcnIwdGVkUXVhbGImaWVyPUEwTktZSR1hGNjdF (Year: 2020).*

* cited by examiner

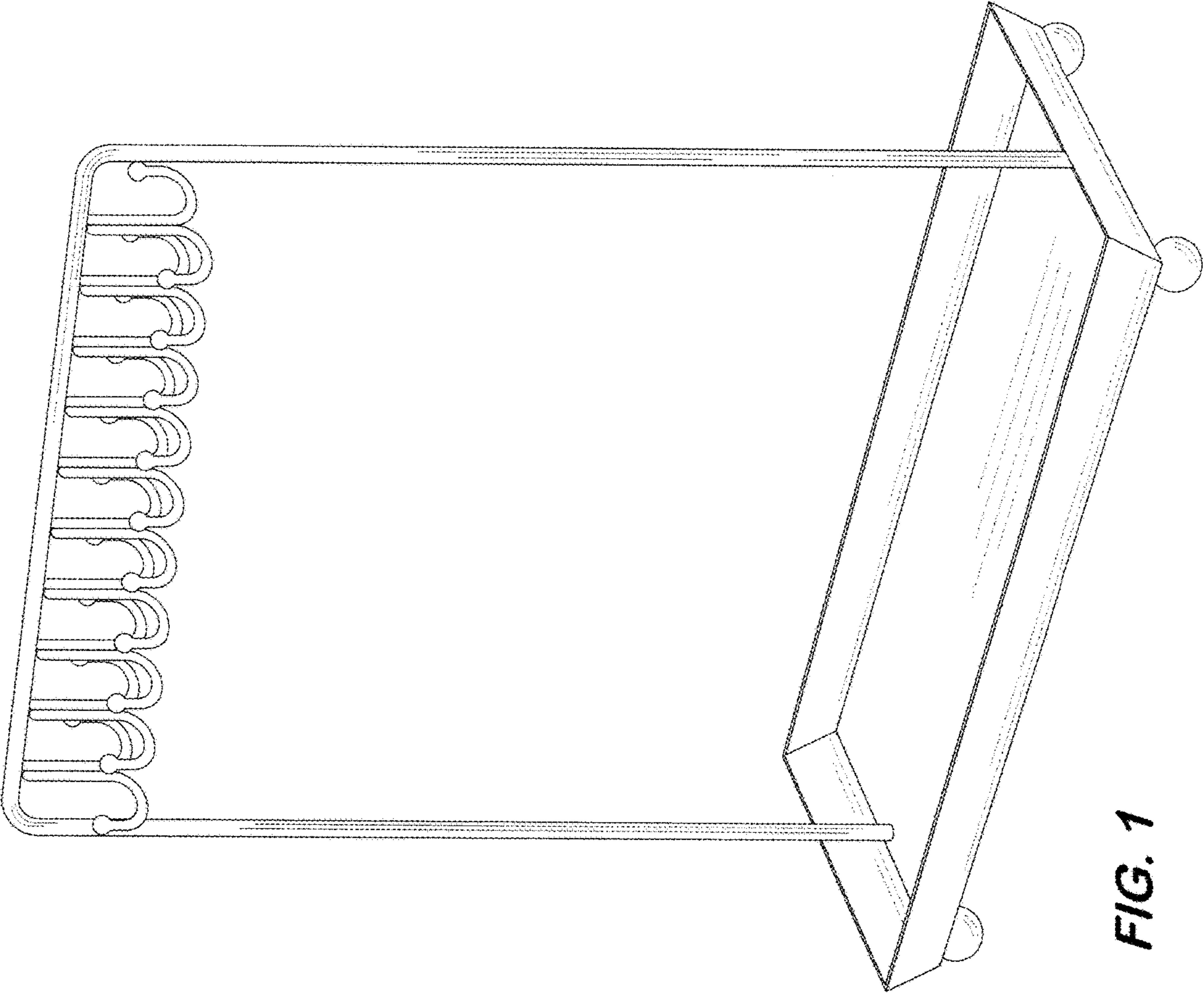


FIG. 1

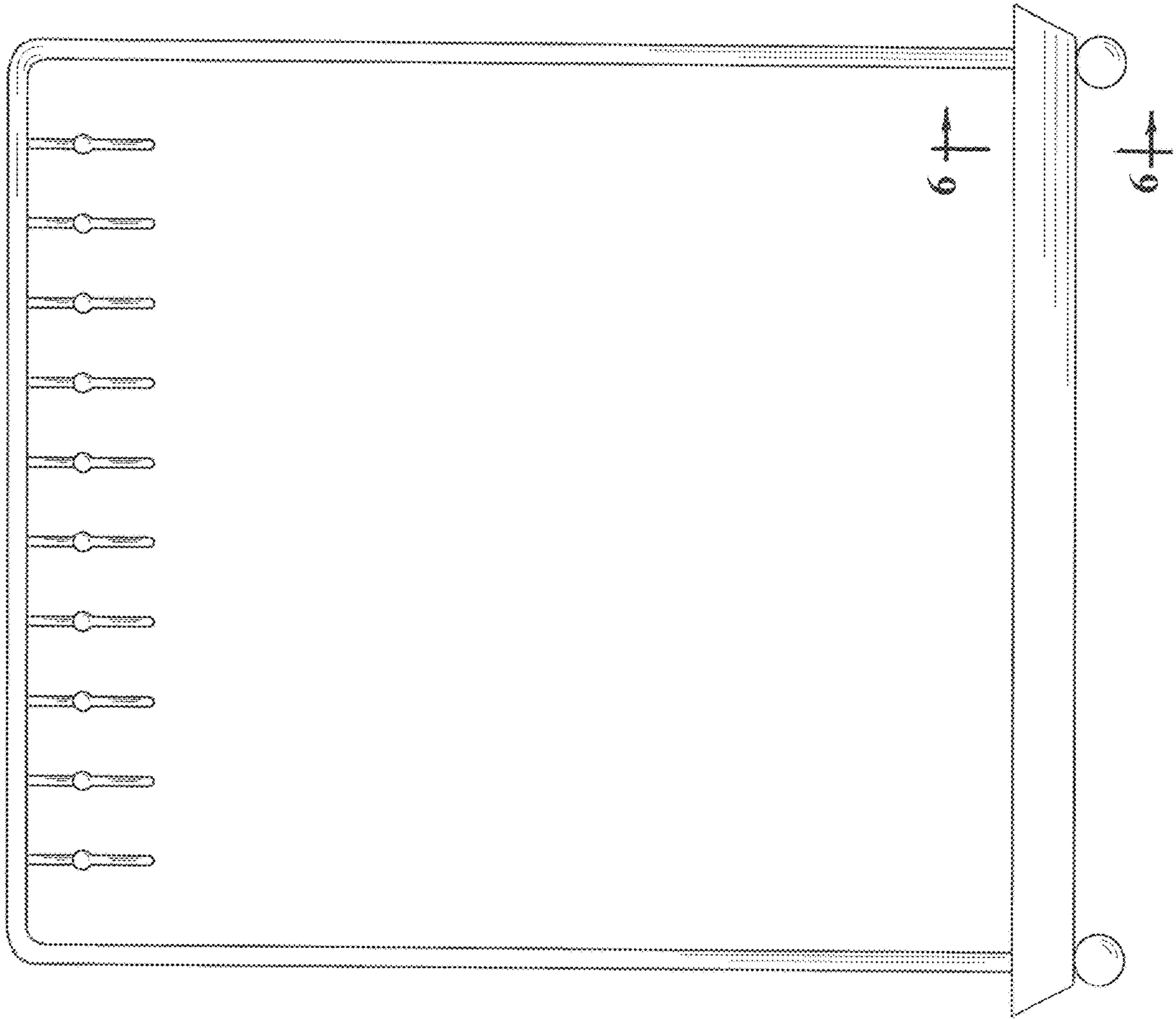


FIG. 2

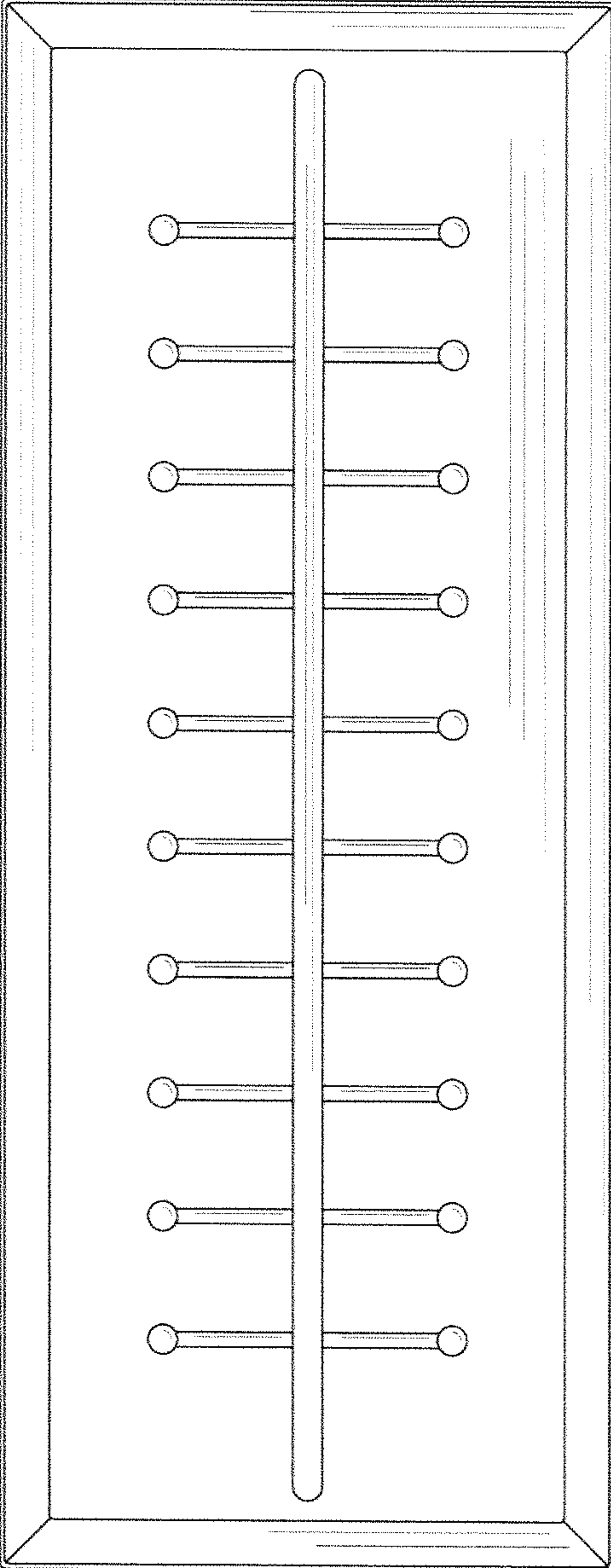


FIG. 3

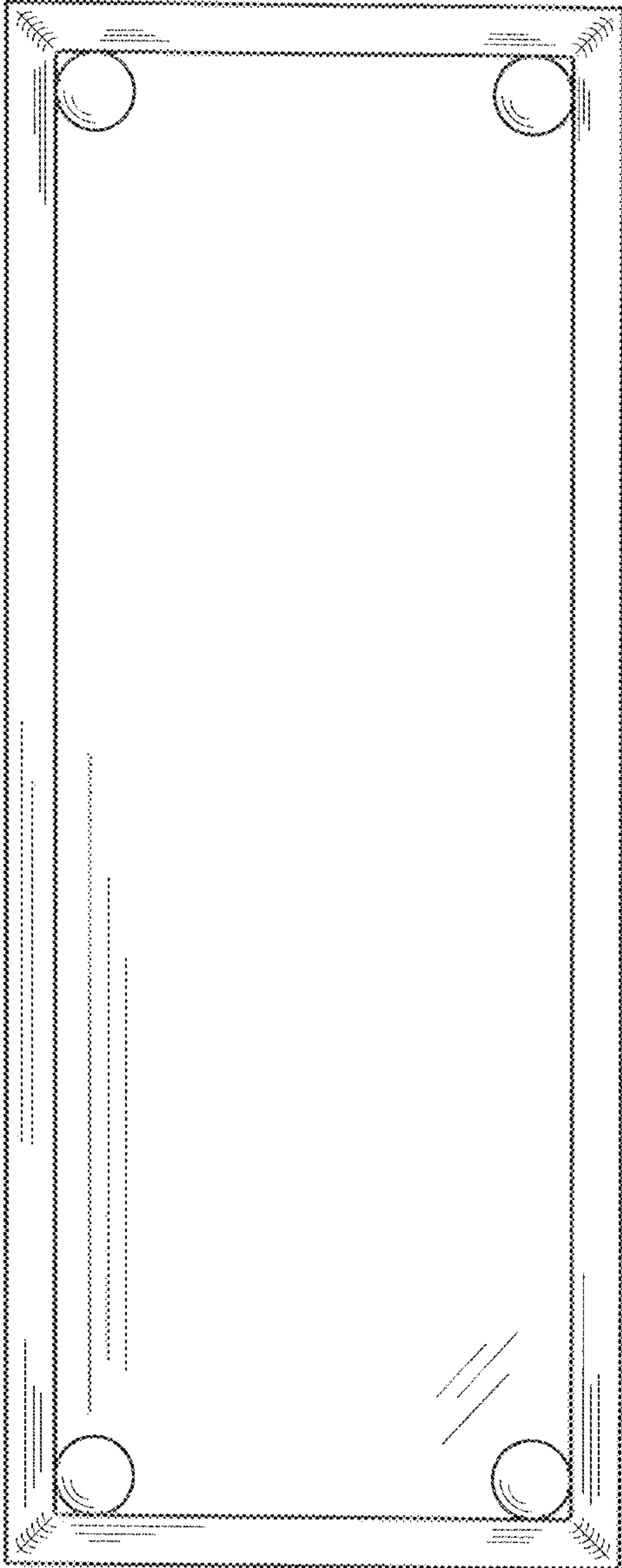


FIG. 4

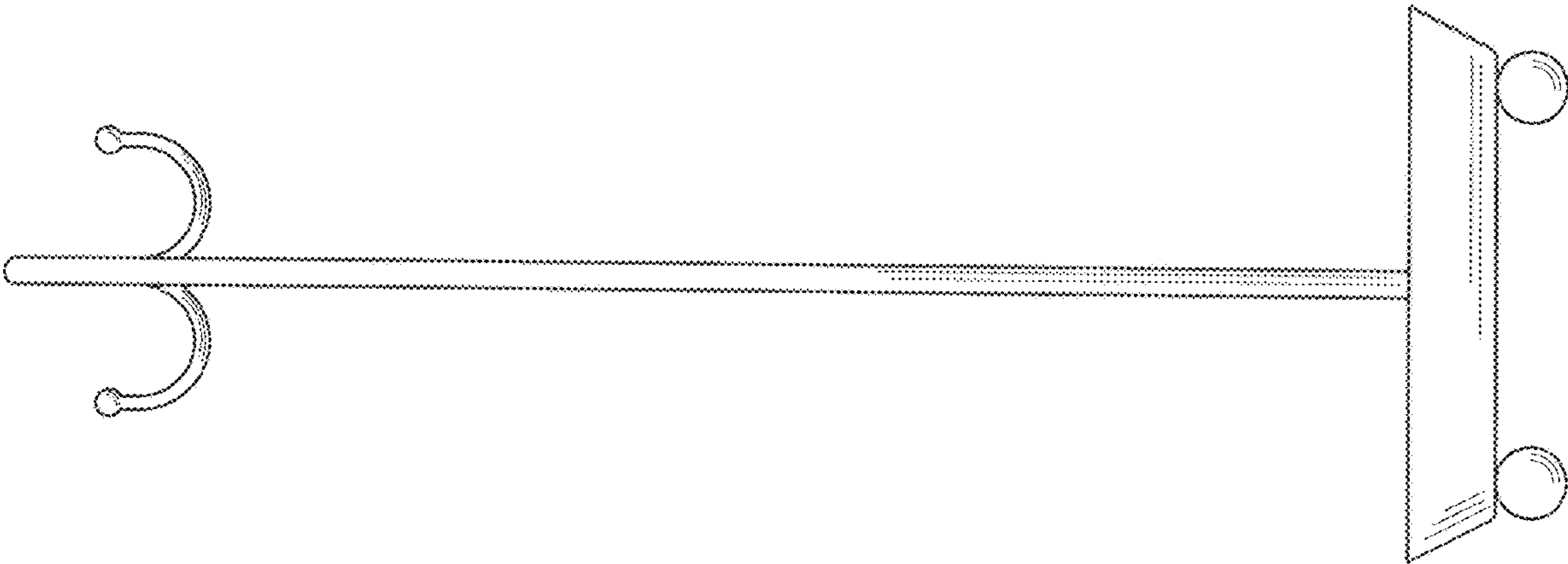


FIG. 5

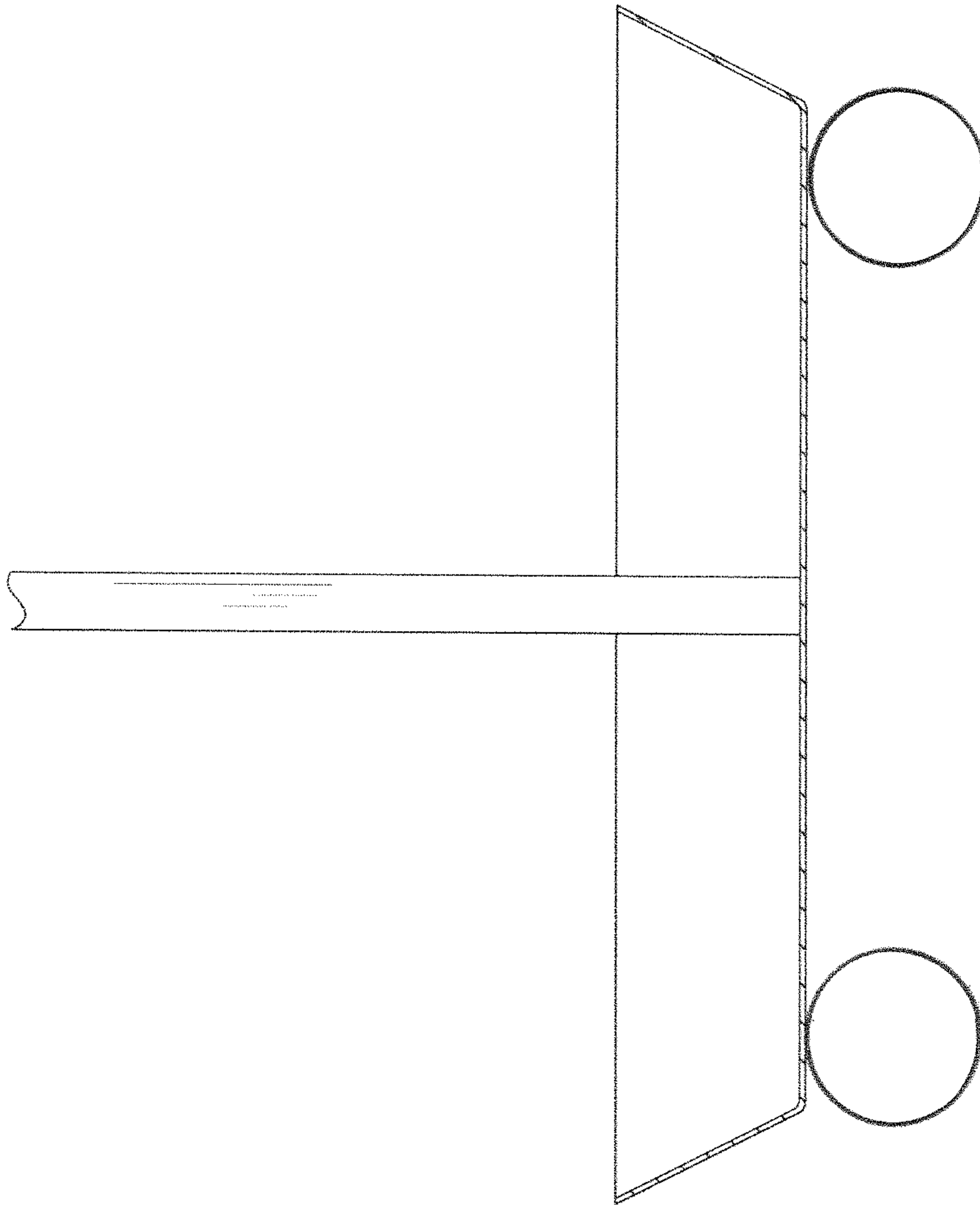


FIG. 6