



US00D910349S

(12) **United States Design Patent**
Kurlander

(10) **Patent No.:** **US D910,349 S**

(45) **Date of Patent:** **** Feb. 16, 2021**

(54) **STORAGE RACK**

(71) Applicant: **21imports LLC**, Lakewood, NJ (US)

(72) Inventor: **Dov Kurlander**, Lakewood, NJ (US)

(73) Assignee: **21imports LLC**, Lakewood, NJ (US)

(**) Term: **15 Years**

(21) Appl. No.: **29/721,840**

(22) Filed: **Jan. 23, 2020**

(51) **LOC (13) Cl.** **06-08**

(52) **U.S. Cl.**

USPC **D6/678.4**

(58) **Field of Classification Search**

USPC D6/672, 673, 675, 675.1, 678, 678.1,
D6/678.4, 680.2, 680.3, 681.1, 681.2,
D6/682, 682.2, 682.4

CPC A47B 55/02; A47G 19/08; A47F 5/0018;
A47F 5/101; A47F 7/0057; A47F 7/0064;
A47J 47/16

See application file for complete search history.

(56) **References Cited**

U.S. PATENT DOCUMENTS

D28,437 S	*	3/1898	Jones	D6/678.4
D364,074 S	*	11/1995	Yeh	D6/678.4
D555,203 S	*	11/2007	Goodman	D19/90
D567,540 S	*	4/2008	Klein	D6/678.4
D572,939 S	*	7/2008	Murray	D6/678.4
D639,613 S	*	6/2011	Goodman	D7/632
D723,344 S	*	3/2015	Goodman	D7/704

D729,021 S	*	5/2015	Goodman	D7/704
D757,507 S	*	5/2016	Chen	D7/704
D774,356 S	*	12/2016	Maiorana	D7/409
D778,642 S	*	2/2017	Tsai	D6/678.4
D798,637 S	*	10/2017	Min	D6/678.4
D823,078 S	*	7/2018	Tuang	D7/704
D826,660 S	*	8/2018	Klein	D7/704
D835,439 S	*	12/2018	Tsai	D6/678.4
D836,400 S	*	12/2018	Goodman	D7/601
D843,792 S	*	3/2019	Hsu	D7/637
D846,319 S	*	4/2019	Min	D6/675.2
D850,169 S	*	6/2019	Tsai	D6/678.4
D857,094 S	*	8/2019	Tsai	D19/90
D861,427 S	*	10/2019	Irwin, Jr.	D7/409
D891,832 S	*	8/2020	Min	D6/675.2

* cited by examiner

Primary Examiner — Kelley A Donnelly

(74) *Attorney, Agent, or Firm* — William G. Heedy; The Van Winkle Law Firm

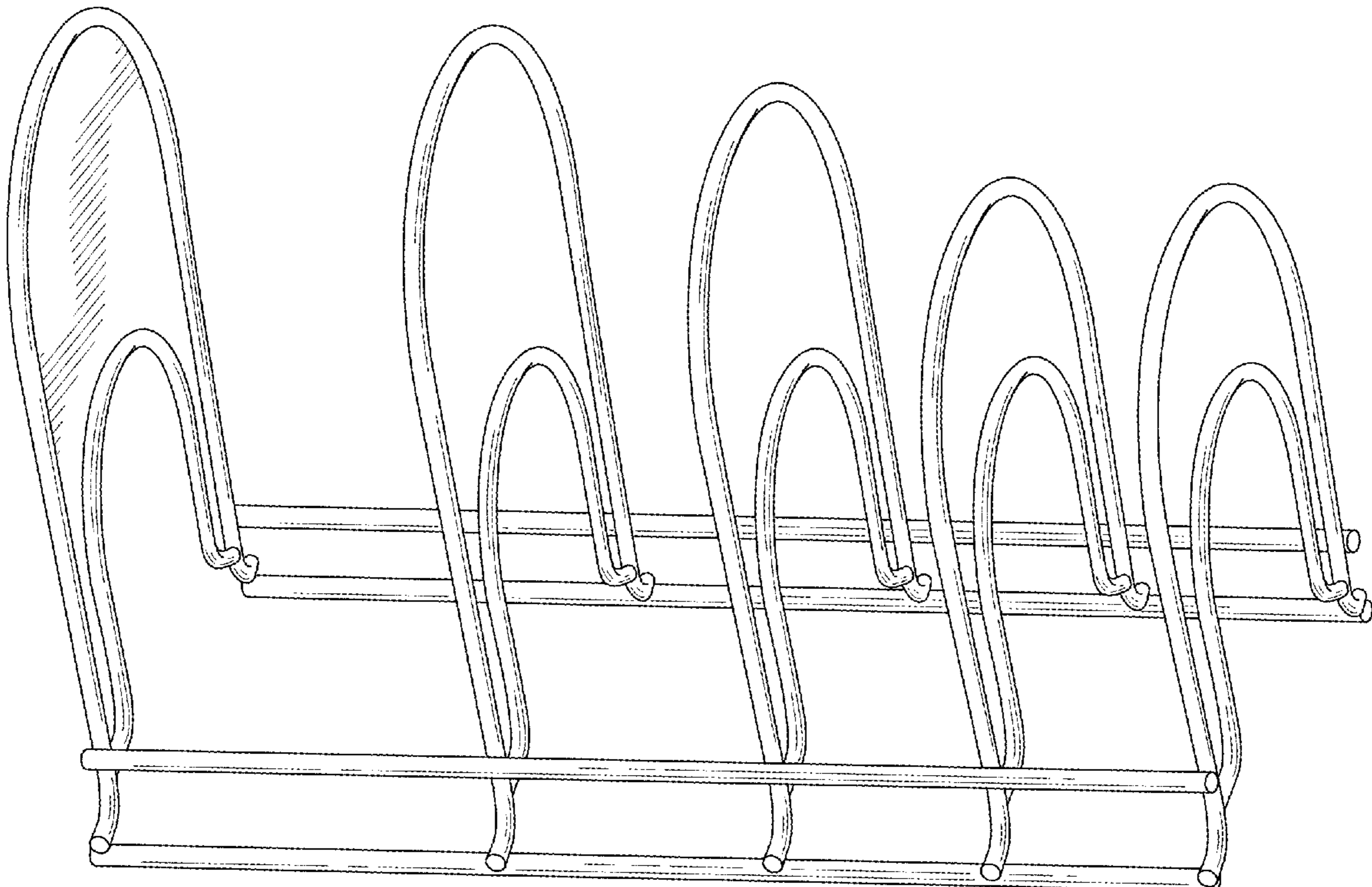
(57) **CLAIM**

The ornamental design for a storage rack, as shown and described.

DESCRIPTION

FIG. 1 is a perspective view of a storage rack
FIG. 2 is a front elevational view thereof;
FIG. 3 is a rear elevational view thereof;
FIG. 4 is a left side elevational view thereof;
FIG. 5 is a right side elevational view thereof;
FIG. 6 is a top plan view thereof; and,
FIG. 7 is a bottom plan thereof.

1 Claim, 5 Drawing Sheets



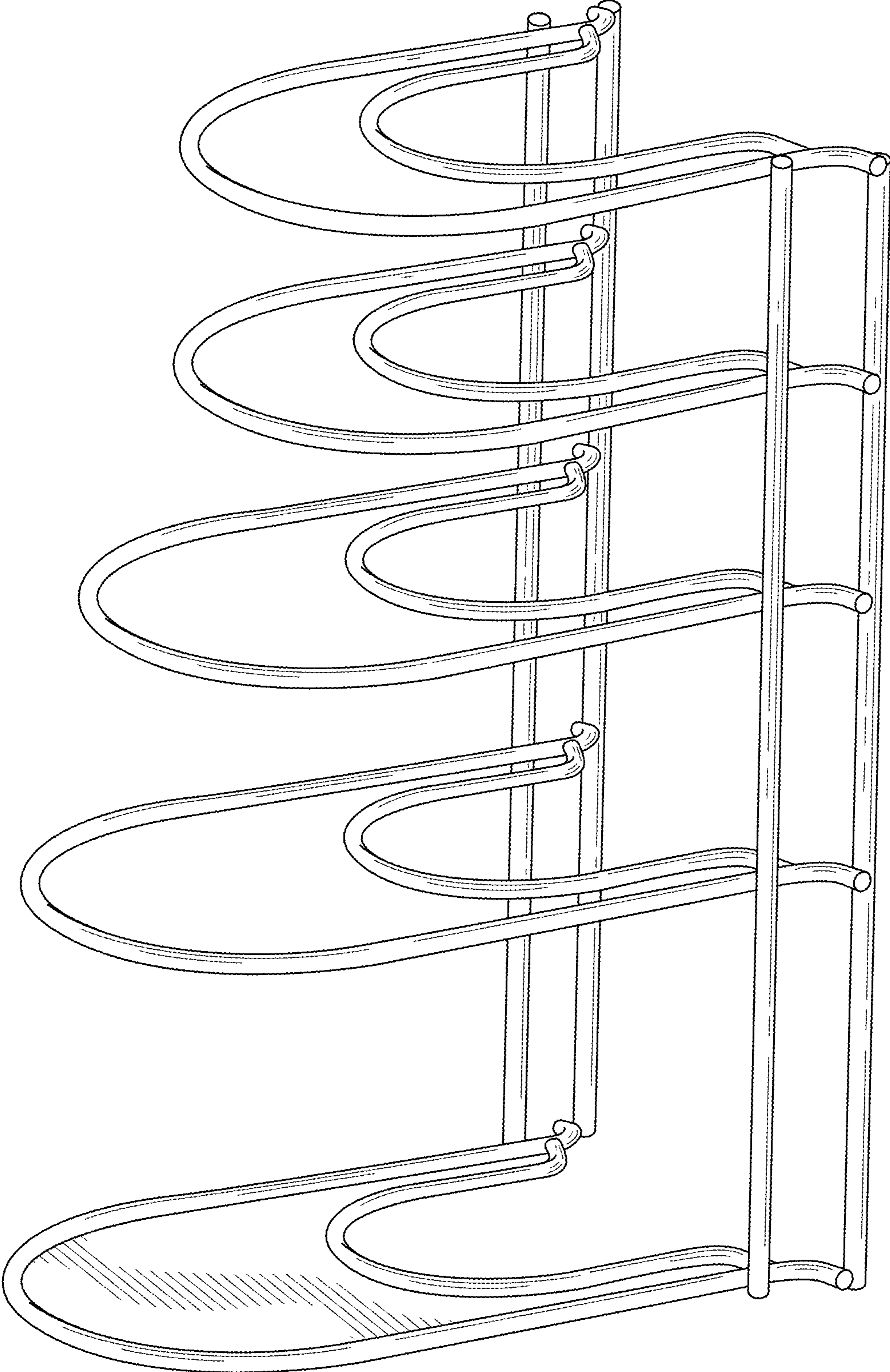


FIG. 1

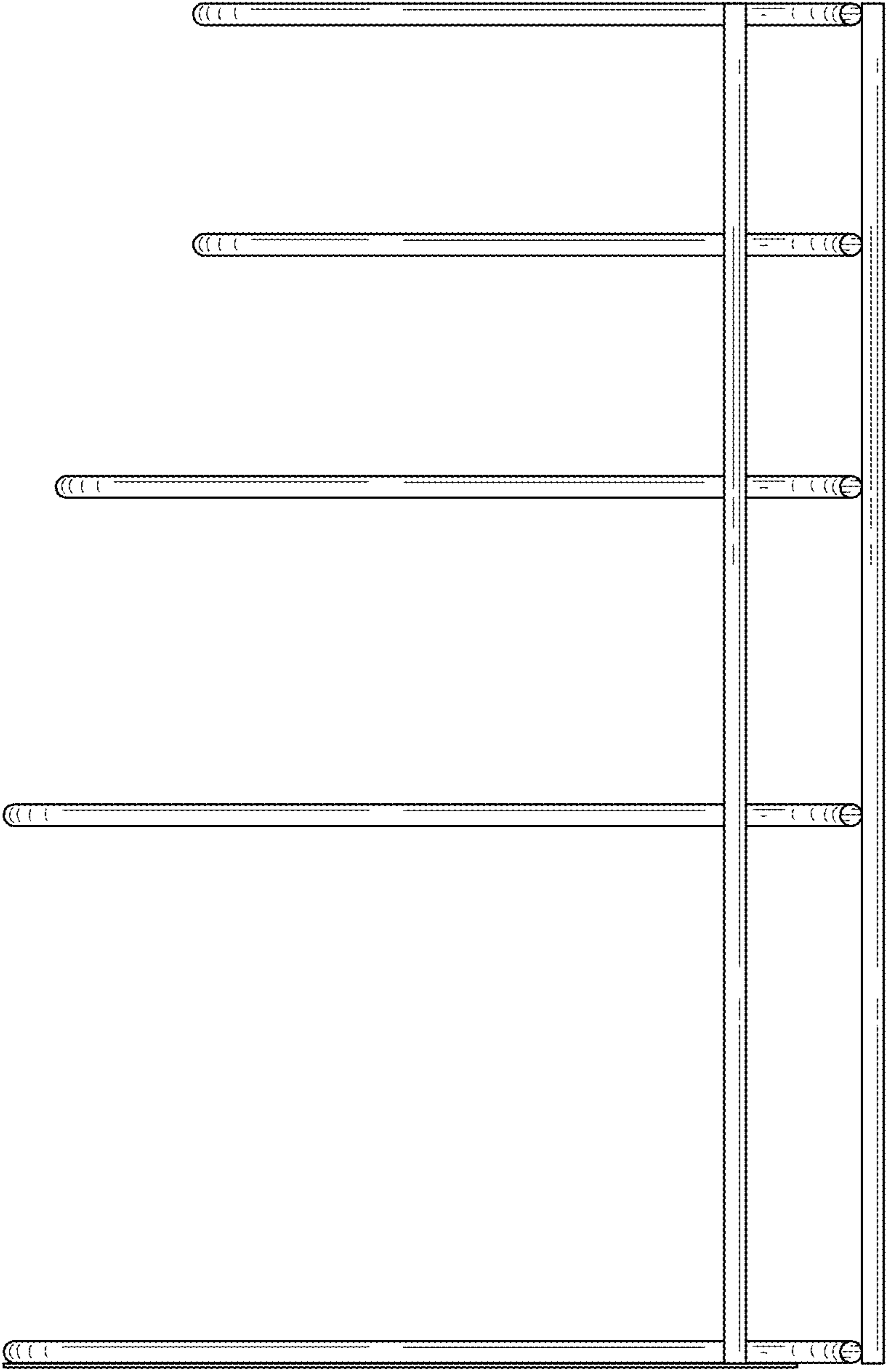


FIG. 2

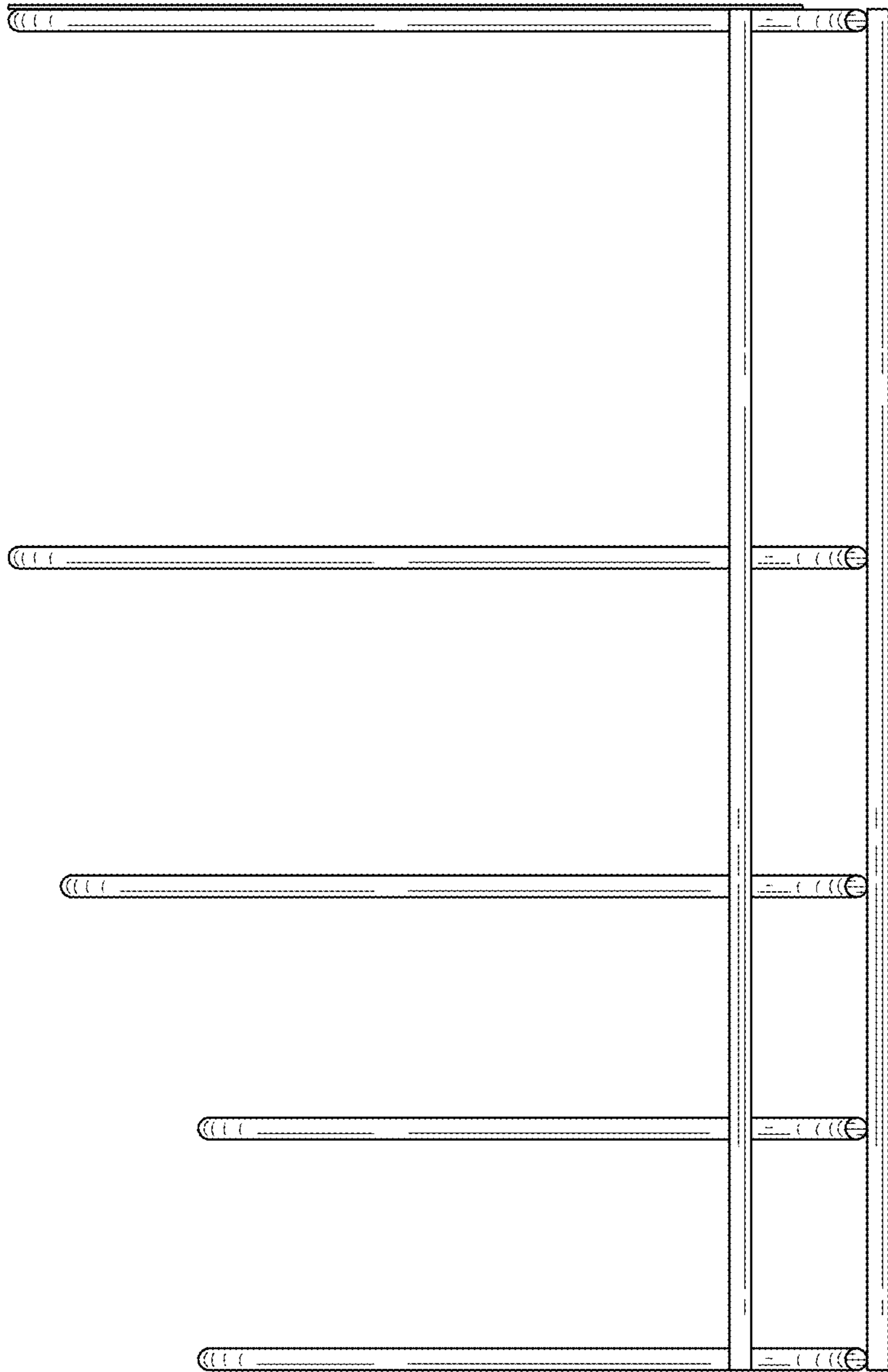


FIG. 3

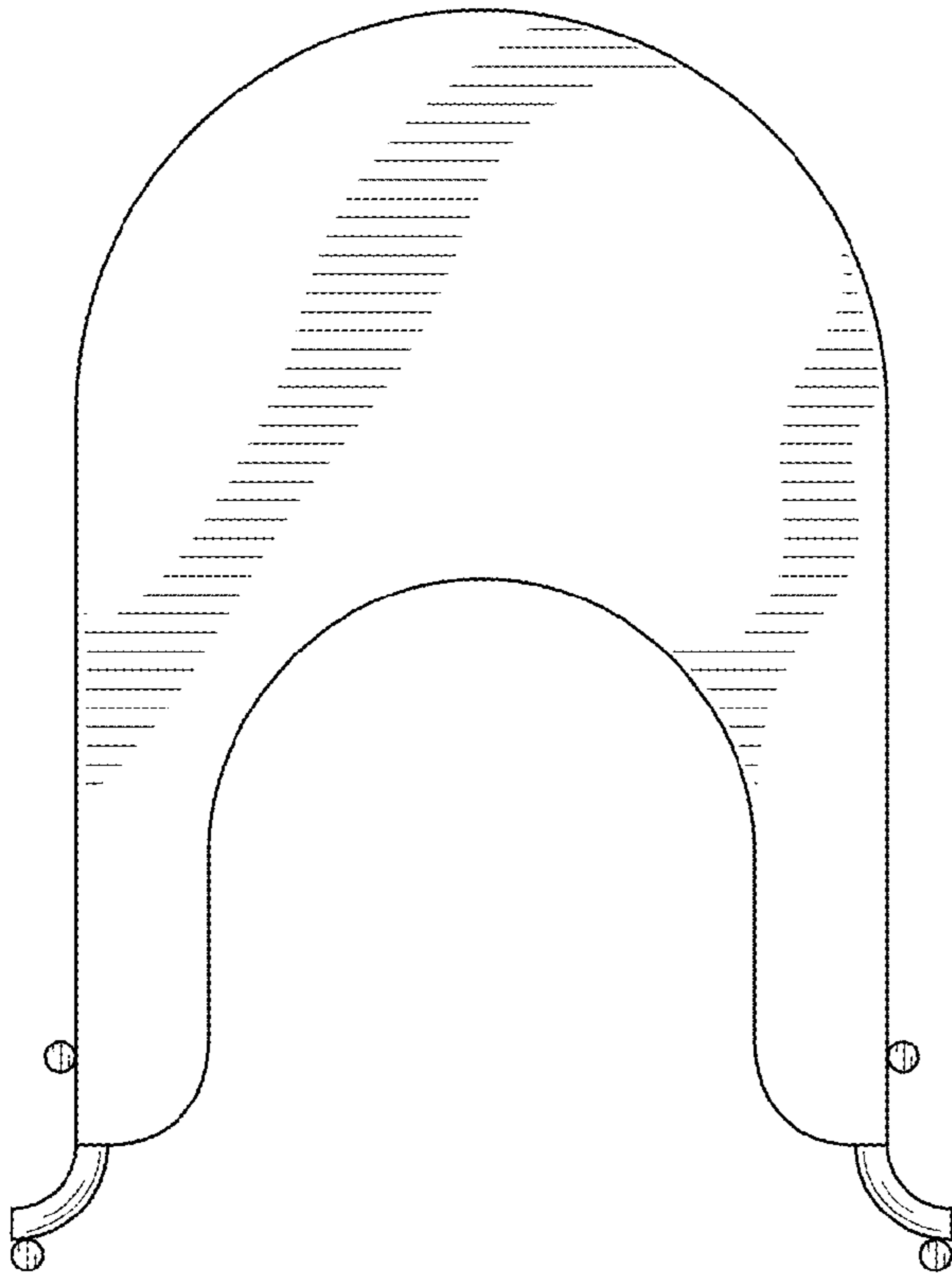


FIG. 4

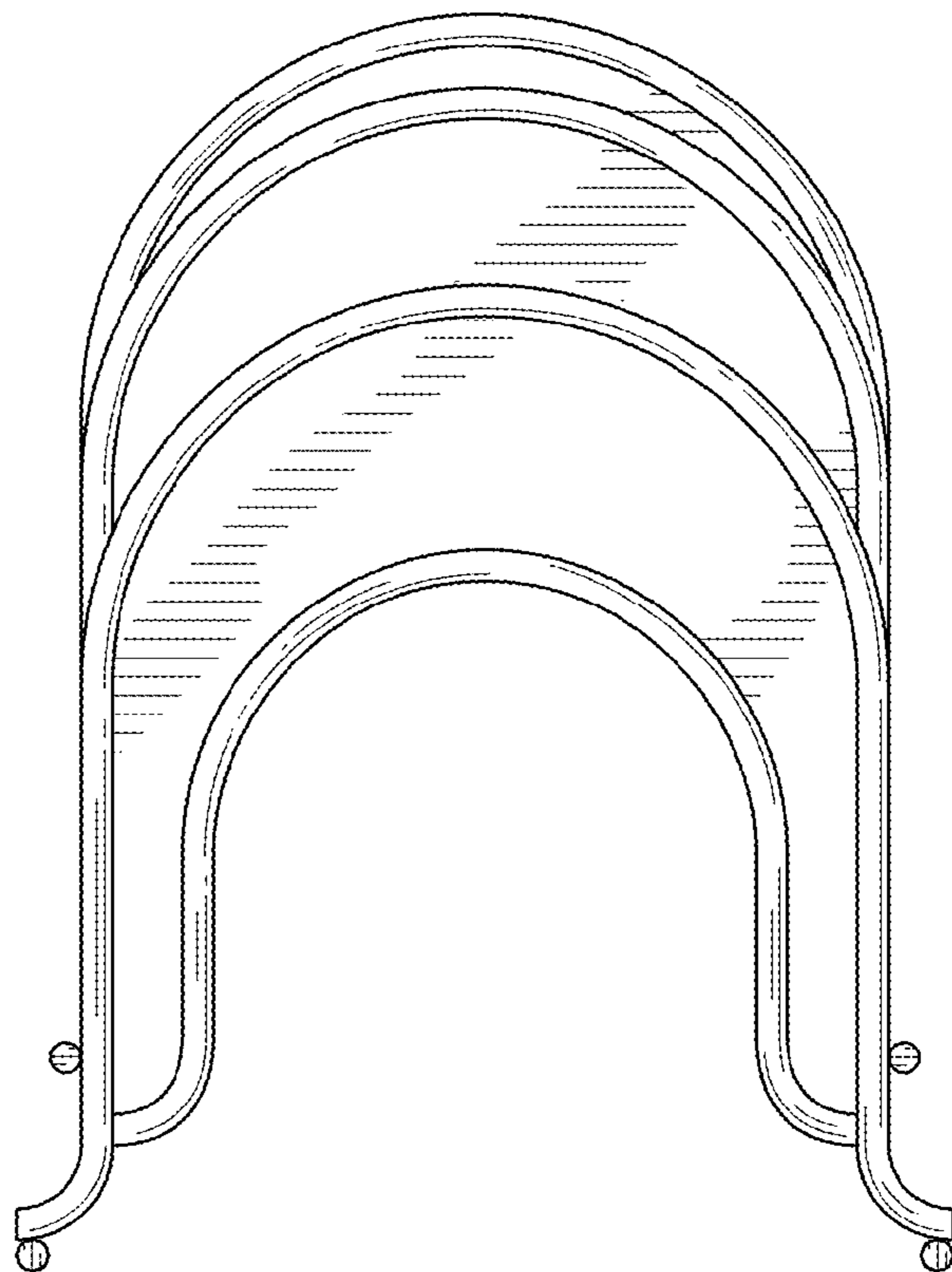


FIG. 5

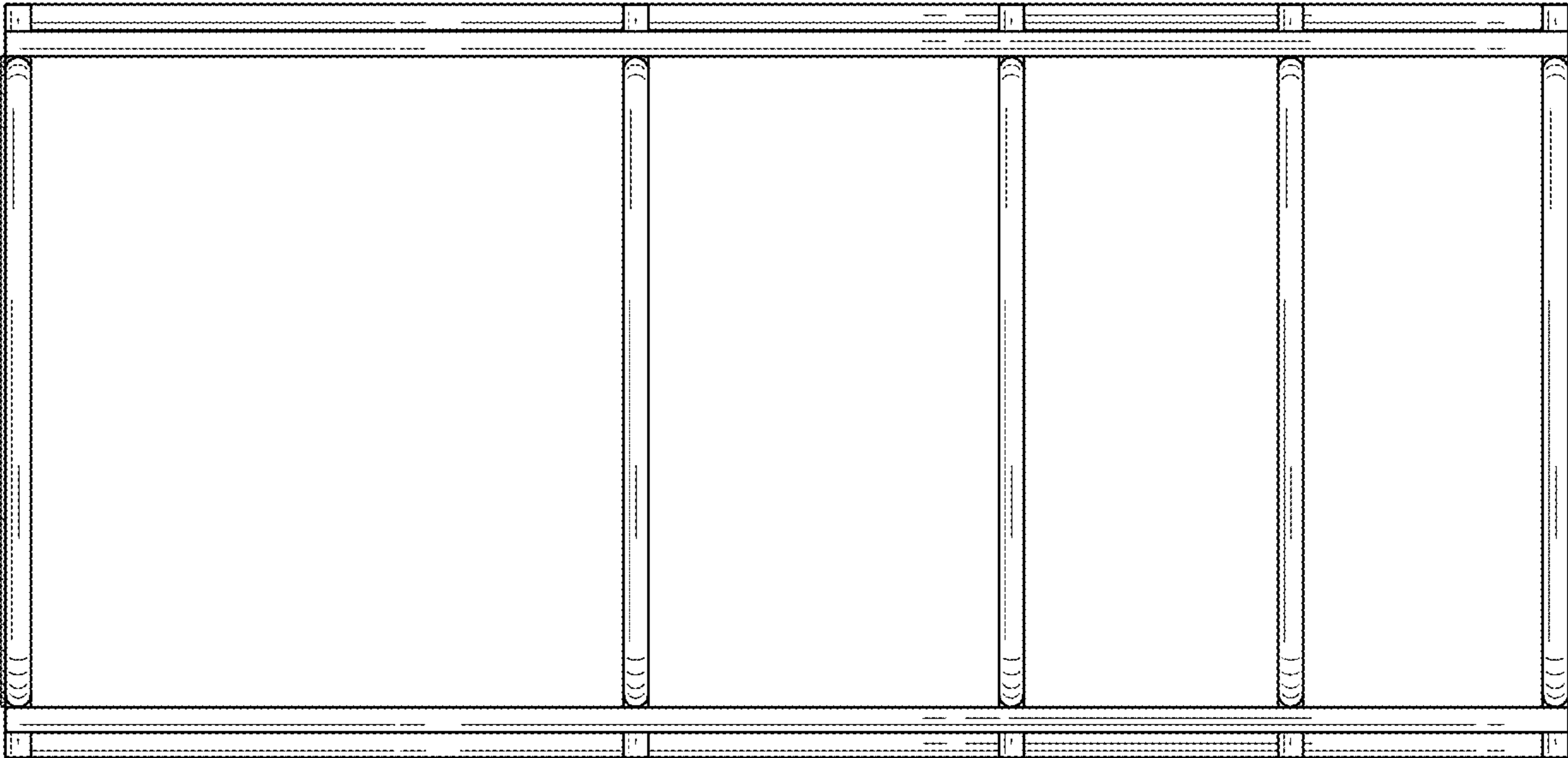


FIG. 6

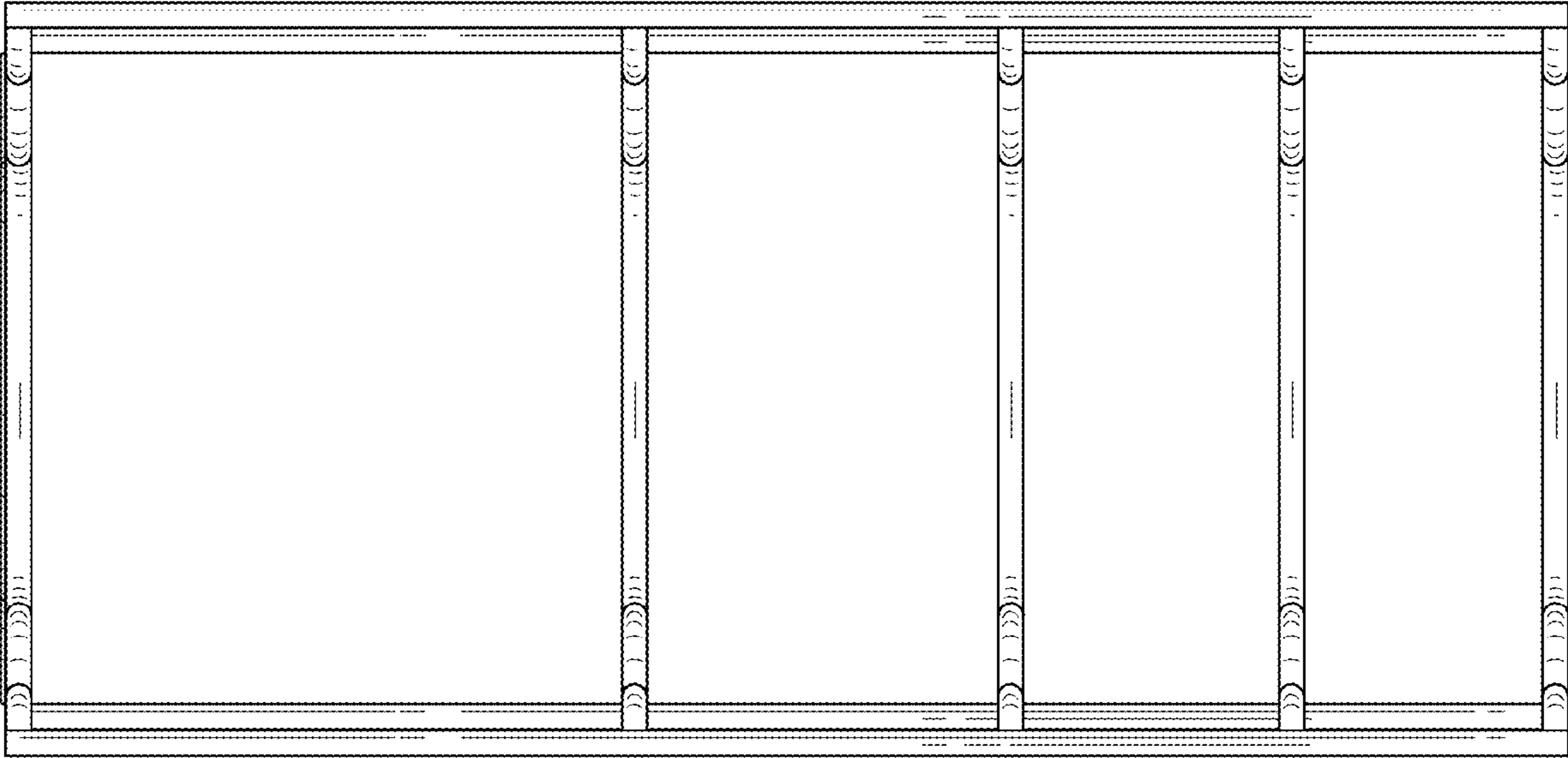


FIG. 7