



US00D910348S

(12) **United States Design Patent**
Snell

(10) **Patent No.:** **US D910,348 S**

(45) **Date of Patent:** **** Feb. 16, 2021**

- (54) **TURNTABLE**
- (71) Applicant: **InterDesign, Inc.**, Solon, OH (US)
- (72) Inventor: **Russell Benton Snell**, Bentleyville, OH (US)
- (73) Assignee: **InterDesign, Inc.**, Solon, OH (US)
- (**) Term: **15 Years**
- (21) Appl. No.: **29/705,655**
- (22) Filed: **Sep. 13, 2019**

- D364,537 S * 11/1995 Anderson D7/553.6
- 6,883,887 B1 * 4/2005 Mogensen A47B 49/004
312/305
- D561,539 S * 2/2008 Snider A47B 49/004
D7/600.2
- D608,499 S * 1/2010 Hodgson D27/133
- D609,058 S * 2/2010 Roth D7/602
- D684,431 S * 6/2013 Holding D7/555
- D802,836 S * 11/2017 Ghiotti D27/186
- D804,721 S * 12/2017 Ghiotti D27/186
- D806,474 S * 1/2018 Greenwood A47B 49/004
D7/501
- D831,443 S * 10/2018 Zhang A47B 49/004
D7/701
- D834,891 S * 12/2018 Greenwood C12M 23/10
D7/501
- D868,511 S * 12/2019 McBride C12M 23/10
D6/677.1

Related U.S. Application Data

- (63) Continuation of application No. 29/601,657, filed on Apr. 25, 2017, now Pat. No. Des. 862,883.
- (51) **LOC (13) Cl.** **07-02**
- (52) **U.S. Cl.**
USPC **D6/677**
- (58) **Field of Classification Search**
USPC D6/677, 677.1, 677.2; D7/501, 554.1,
D7/554.2, 555, 557, 584, 600.2, 707
CPC A47B 49/006; A47G 19/022; A47G 23/08
See application file for complete search history.

* cited by examiner

Primary Examiner — Kevin K Rudzinski

Assistant Examiner — Clare Ann Gannon

(74) *Attorney, Agent, or Firm* — Calfee, Halter & Griswold LLP

(56) **References Cited**

U.S. PATENT DOCUMENTS

- D67,011 S * 4/1925 Clarke D7/557
- D72,249 S * 3/1927 Orzo D28/76
- D149,046 S * 3/1948 Blumenthal D7/501
- D209,848 S * 1/1968 Berend D7/614
- 3,384,260 A * 5/1968 Buffington A47G 23/06
206/558
- D238,726 S * 2/1976 Labik A47G 23/06
D7/554.2
- 4,945,061 A * 7/1990 Iskander C12M 23/10
435/305.1
- D330,955 S * 11/1992 Humphries D34/1

(57) **CLAIM**

I claim the ornamental design for a turntable, as shown and described.

DESCRIPTION

FIG. 1 is a front/right/top perspective view of a turntable (a front/left/top perspective view would be a mirror image thereof);

FIG. 2 is a rear/left/bottom perspective view thereof (a rear/right/bottom perspective view would be a mirror image thereof);

FIG. 3 is a left side elevational view thereof; and,

FIG. 4 is a top plan view thereof.

The broken lines depict portions of the turntable that form no part of the claimed design.

1 Claim, 4 Drawing Sheets

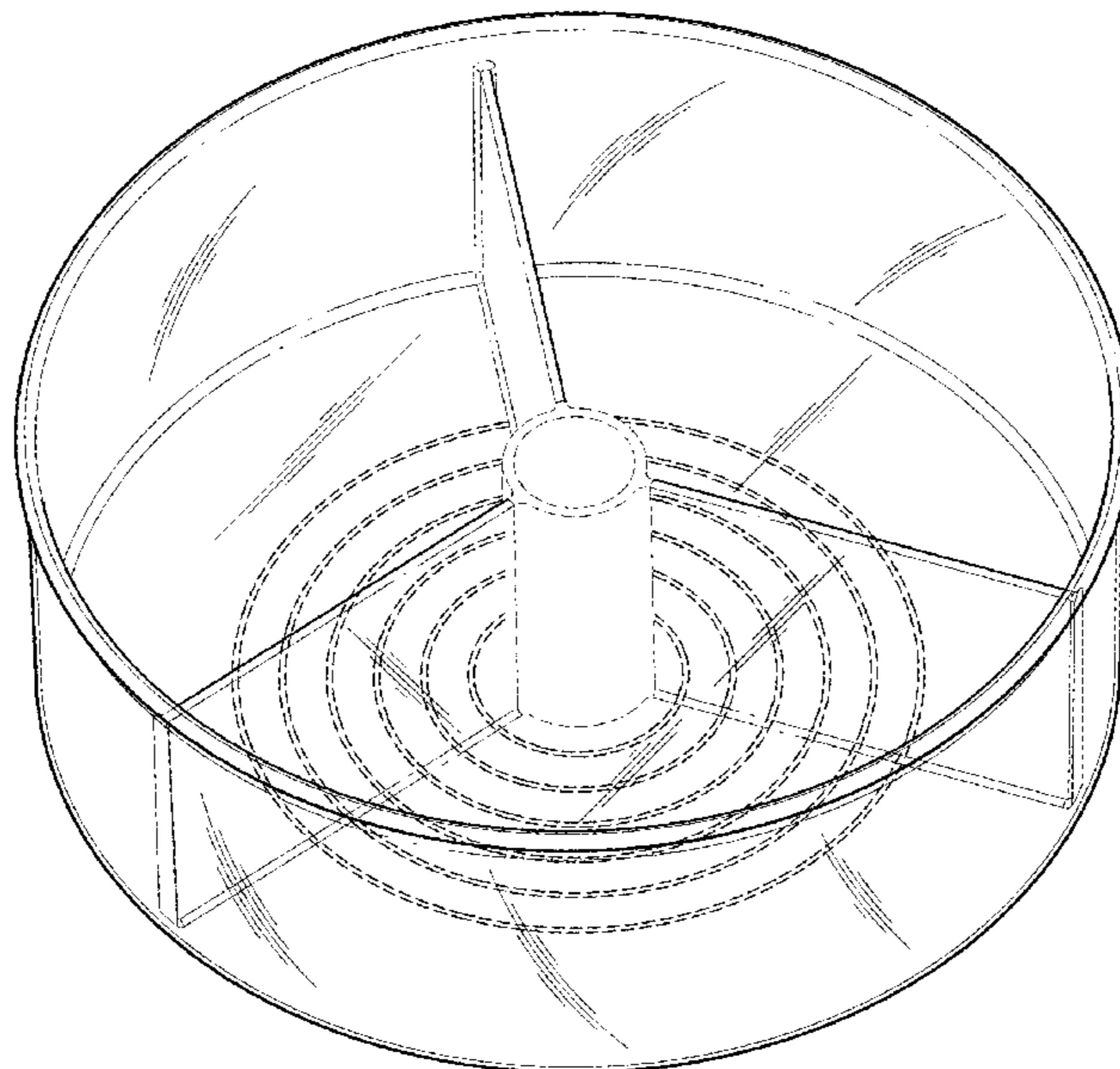


FIG. 1

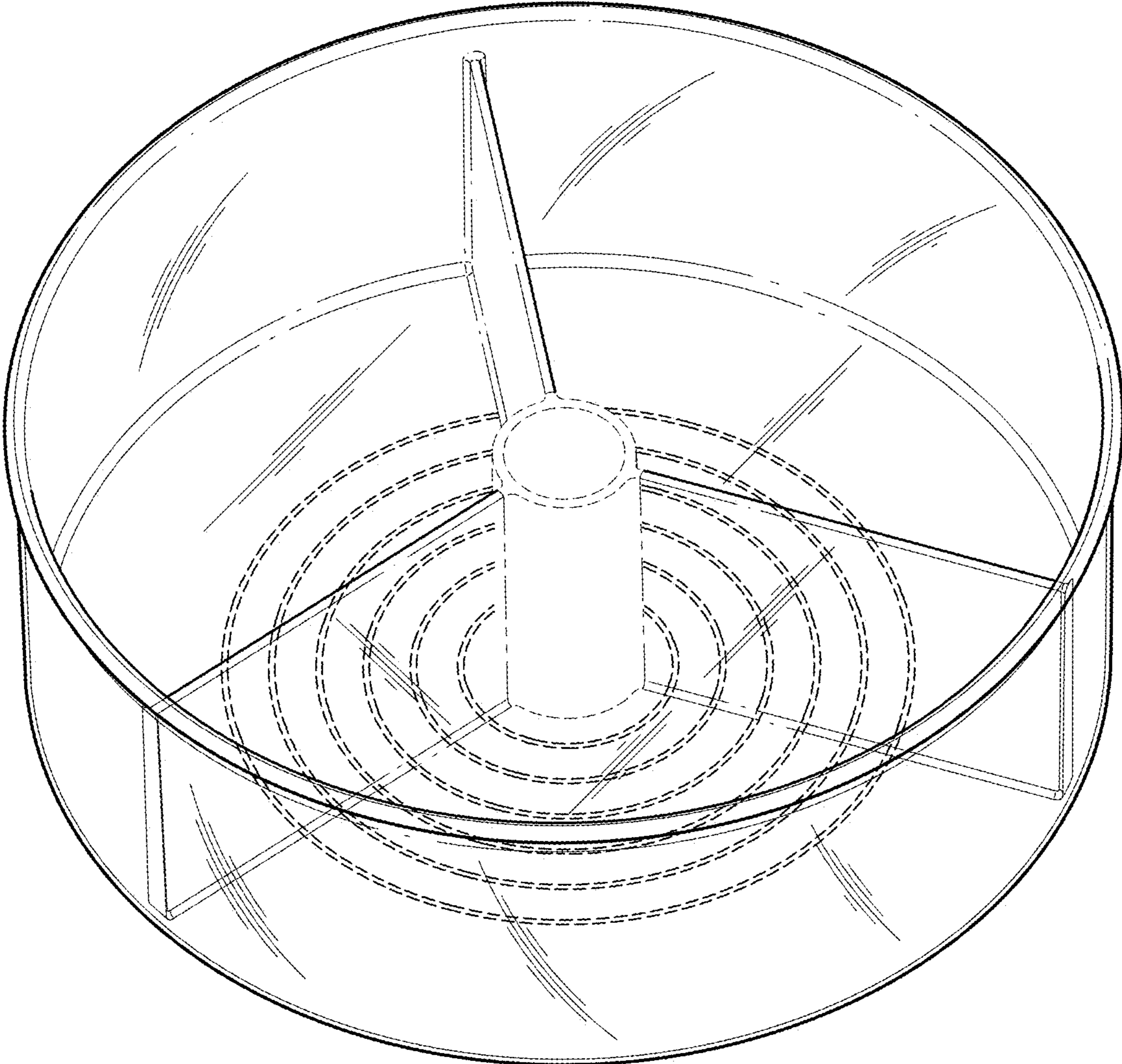


FIG. 2

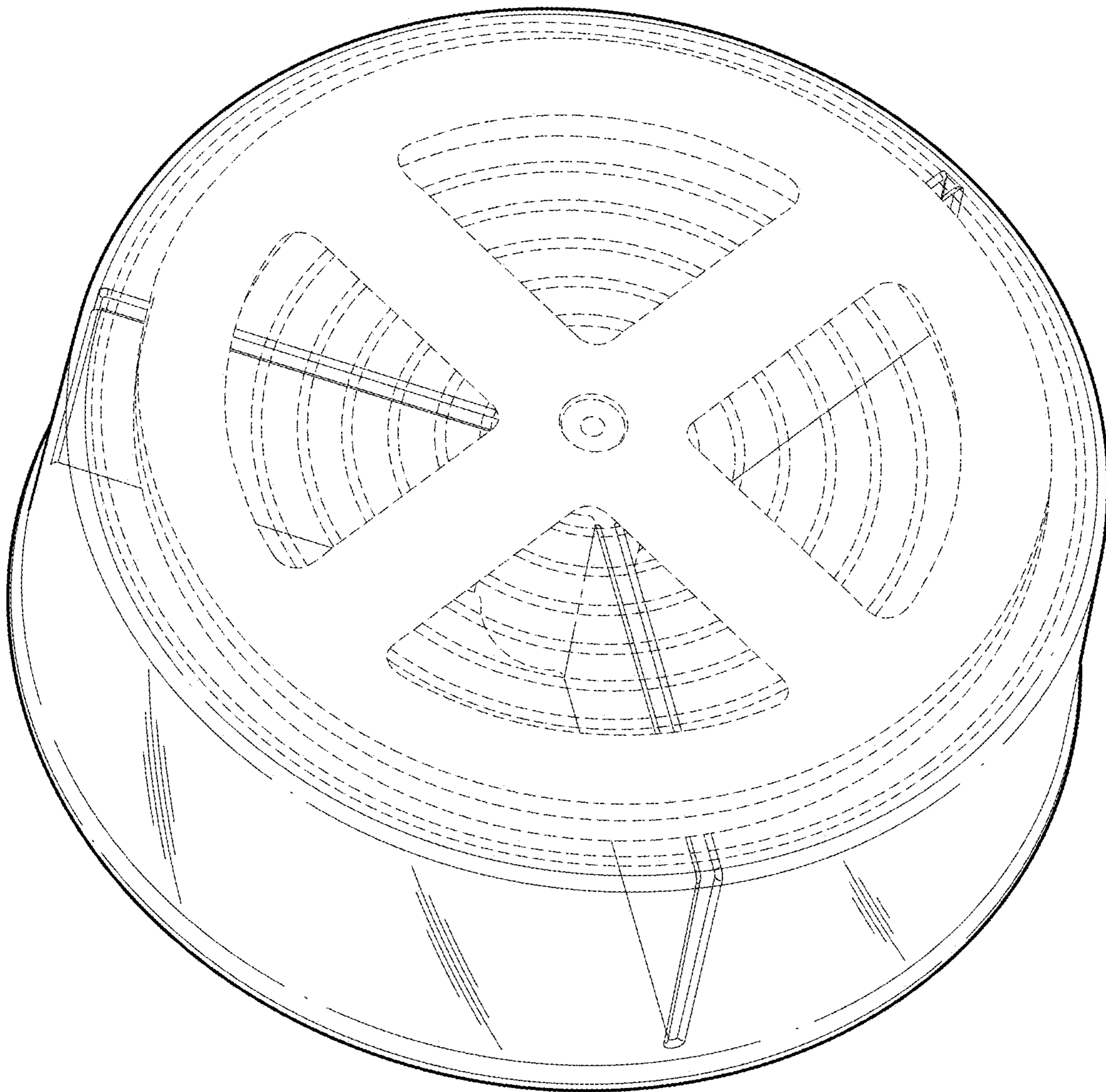


FIG. 3

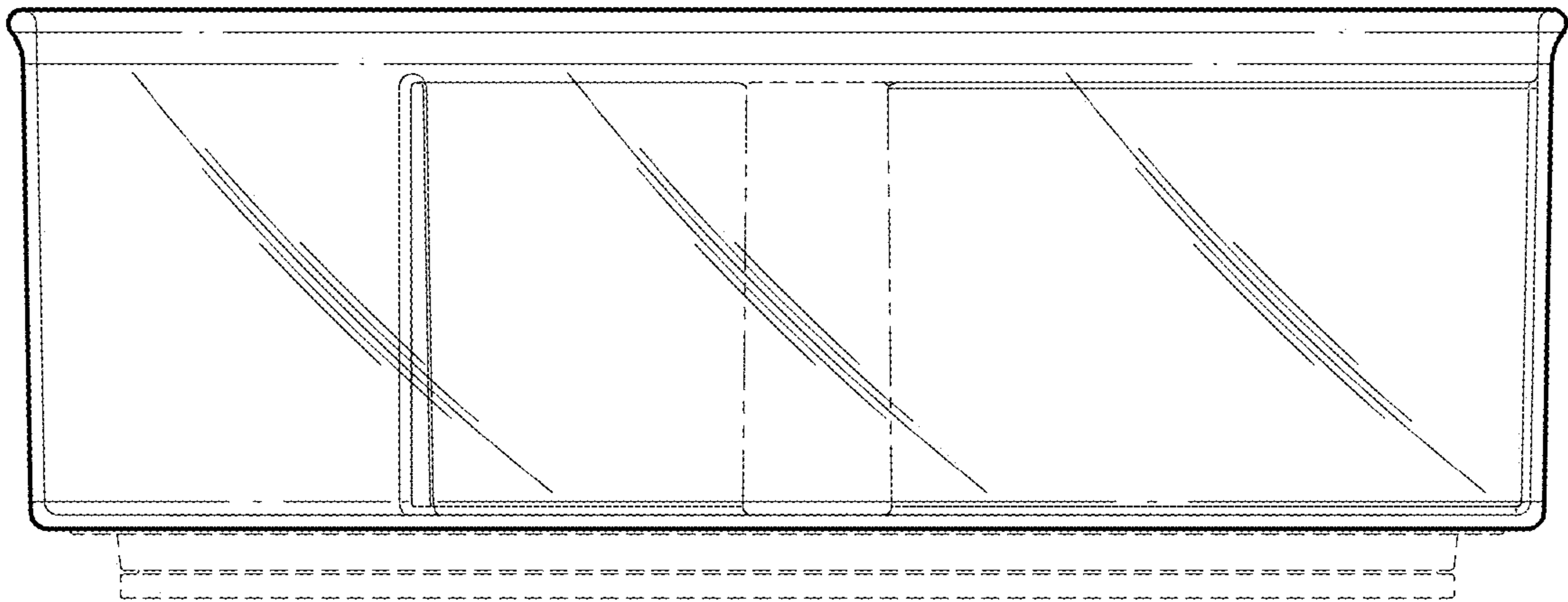


FIG. 4

