



US00D910346S

(12) **United States Design Patent** (10) **Patent No.:** **US D910,346 S**  
**Ogilvie** (45) **Date of Patent:** **\*\* Feb. 16, 2021**

(54) **STORAGE ORGANIZER**

(71) Applicant: **One Eyed Jack Holdings Inc.,**  
Winnipeg (CA)  
(72) Inventor: **Daniel R. Ogilvie,** Winnipeg (CA)  
(73) Assignee: **One Eyed Jack Holdings Inc.,**  
Winnipeg (CA)  
(\*\*) Term: **15 Years**

(21) Appl. No.: **29/716,537**  
(22) Filed: **Dec. 10, 2019**  
(51) **LOC (13) Cl.** ..... **20-02**  
(52) **U.S. Cl.**  
USPC ..... **D6/674**  
(58) **Field of Classification Search**  
USPC ..... D6/658, 662, 665, 665.1, 672, 674,  
D6/674.1; D21/834, 837, 838  
CPC ... Y10S 135/904; E04H 15/00; E04H 15/008;  
E04H 15/02; A47B 97/00; A45F  
2004/003; A45F 4/04  
See application file for complete search history.

(56) **References Cited**

**U.S. PATENT DOCUMENTS**

4,072,158	A *	2/1978	O'Brien	.....	E04H 15/00 135/116
4,590,956	A *	5/1986	Griesenbeck	.....	E04H 15/40 135/116
D285,880	S *	9/1986	Griesenbeck	.....	D21/838
D307,839	S *	5/1990	Johnson, Jr.	.....	D6/674
D313,830	S *	1/1991	Foust	.....	D21/838
D323,693	S *	2/1992	Cantwell	.....	D21/834
D324,405	S *	3/1992	Cantwell	.....	D21/834
D331,441	S *	12/1992	Choi	.....	D21/838
D332,986	S *	2/1993	Choi	.....	D21/838
D364,515	S *	11/1995	Hou	.....	D6/658
D372,953	S *	8/1996	Florez	.....	D21/838
D378,540	S *	3/1997	Becker	.....	D25/16
D420,414	S *	2/2000	Lah	.....	D21/834

(Continued)

**OTHER PUBLICATIONS**

Vango Storage Organiser, amazon.co.uk, <https://www.amazon.co.uk/Vango-ACLSTORAGRLLW28-Storage-Organiser/dp/B019E3YI9W> (Year: 2016).\*

(Continued)

*Primary Examiner* — Steven J Czyn  
(74) *Attorney, Agent, or Firm* — Kyle R Satterthwaite;  
Michael R. Williams; Ade & Company Inc.

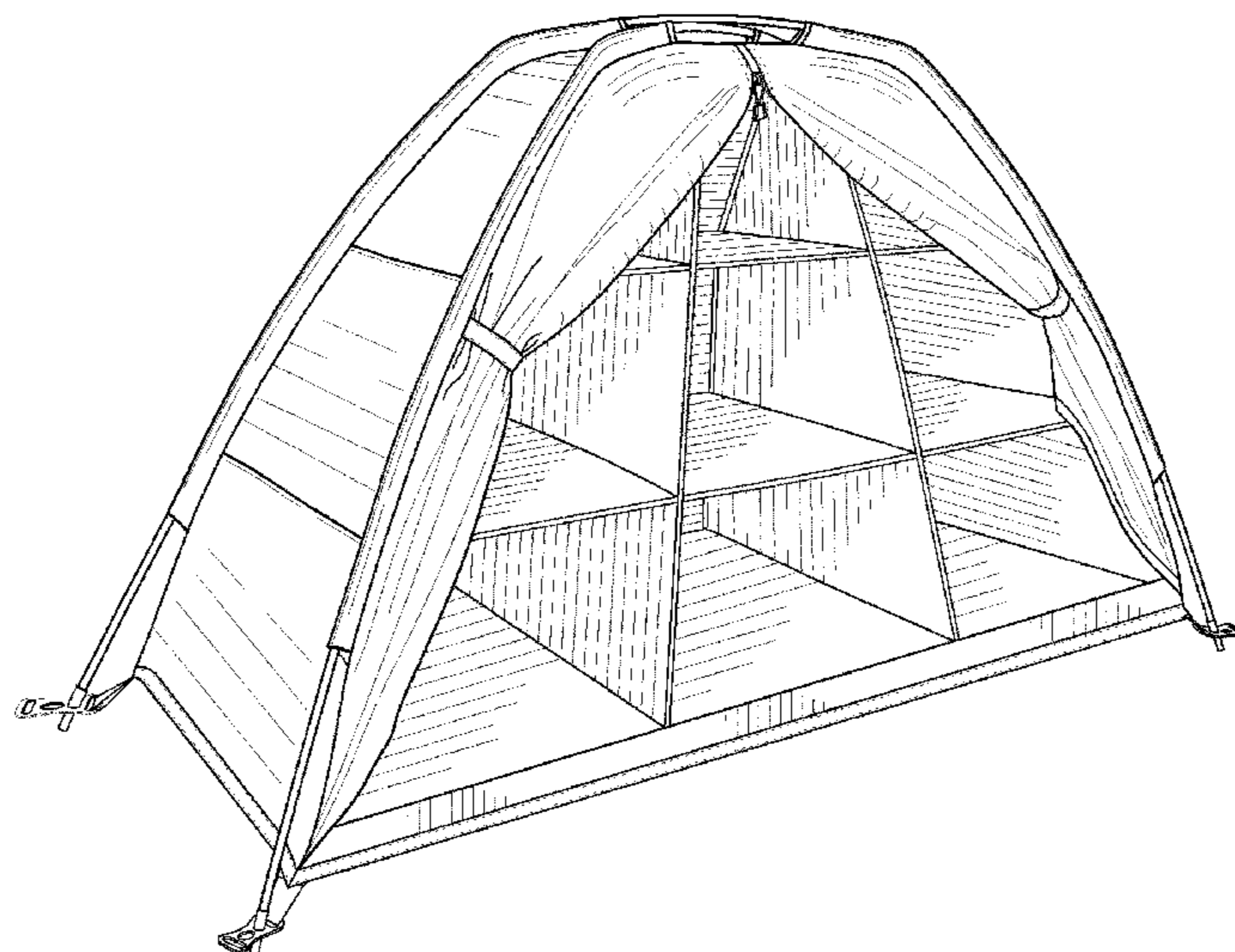
(57) **CLAIM**

The ornamental design for a storage organizer, as shown and described.

**DESCRIPTION**

FIG. 1 is a front perspective view of a storage organizer shown with the front access flaps in an open position; FIG. 2 is a front elevational view of the storage organizer of FIG. 1; FIG. 3 is a rear elevational view thereof; FIG. 4 is a right side elevational view thereof; FIG. 5 is a left side elevational view thereof; FIG. 6 is top plan view thereof; FIG. 7 is a bottom plan view thereof; FIG. 8 is a front perspective view of storage organizer shown with the front access flaps in a closed position; FIG. 9 is a front elevational view of the storage organizer of FIG. 8; FIG. 10 is a rear elevational view thereof; FIG. 11 is a right side elevational view thereof; FIG. 12 is a left side elevational view thereof; FIG. 13 is top plan view thereof; and, FIG. 14 is a bottom plan view thereof. The broken lines depict portions of the article that form no part of the claimed design.

**1 Claim, 11 Drawing Sheets**



(56)

**References Cited**

U.S. PATENT DOCUMENTS

6,167,898 B1 *	1/2001	Larga .....	E04H 15/20 135/124
D440,795 S *	4/2001	Matty .....	D6/674
D531,836 S *	11/2006	Watson .....	D6/674
D600,301 S *	9/2009	Krausse .....	D21/837
D689,579 S *	9/2013	Barker .....	D21/834
D705,884 S *	5/2014	Jin .....	D21/834
D753,254 S *	4/2016	Brensinger .....	D21/834
D775,702 S *	1/2017	Barker .....	D21/834
D818,754 S *	5/2018	Lovell .....	D6/718.29
D831,773 S *	10/2018	Huang .....	D21/834
D841,107 S *	2/2019	Zhu .....	D21/834
D872,210 S *	1/2020	Zhu .....	D21/837
D879,231 S *	3/2020	Zhu .....	D21/834
D892,528 S *	8/2020	Gutman .....	D6/718.26

OTHER PUBLICATIONS

Vango Collapsible Tent Storage Organiser, ebay.com, <https://www.ebay.com/itm/281996964172> (Year: 2017).\*

<https://www.youtube.com/watch?v=uvT4IYTWtcM>.

\* cited by examiner



FIG.1

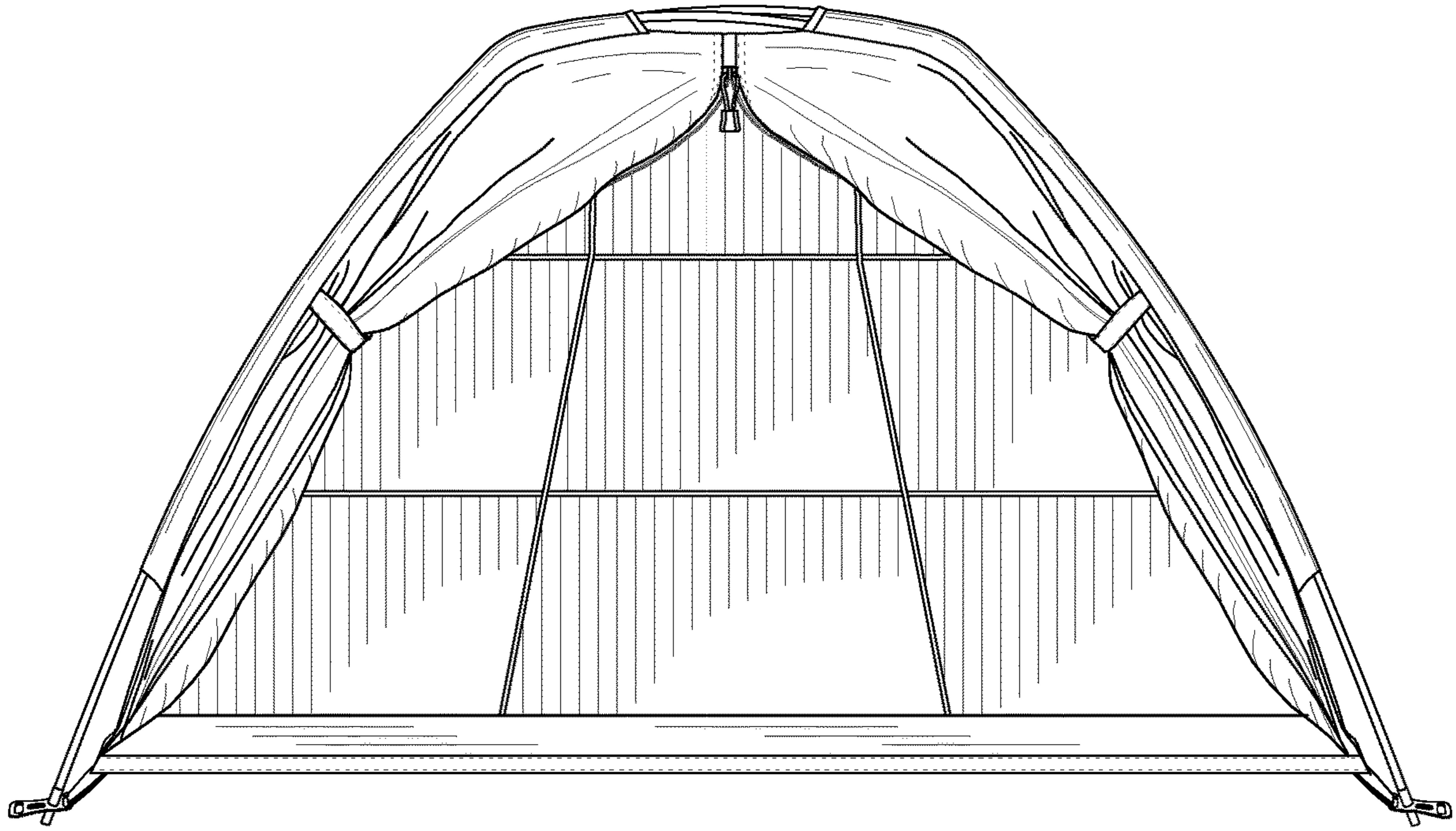


FIG. 2

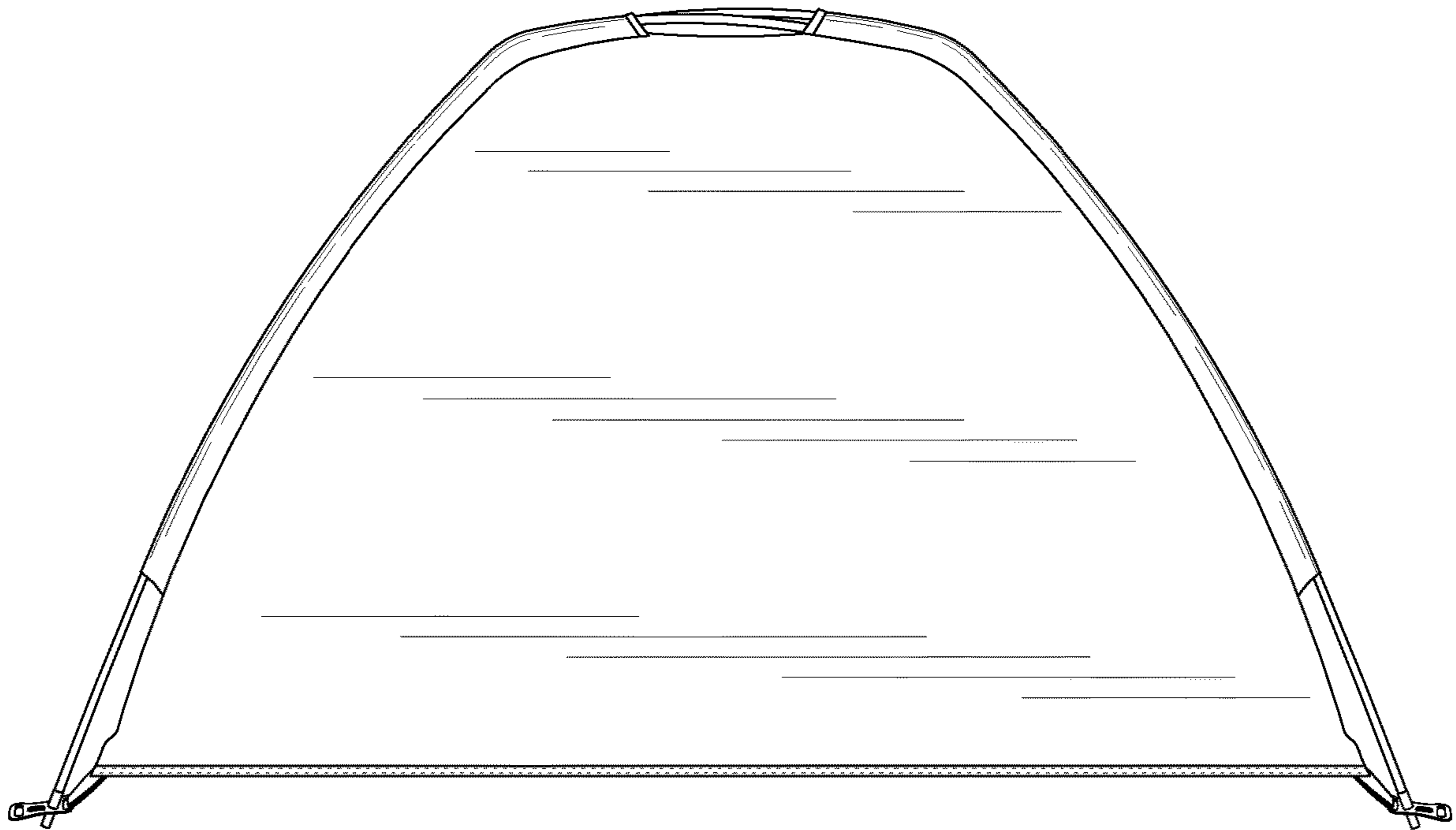


FIG. 3

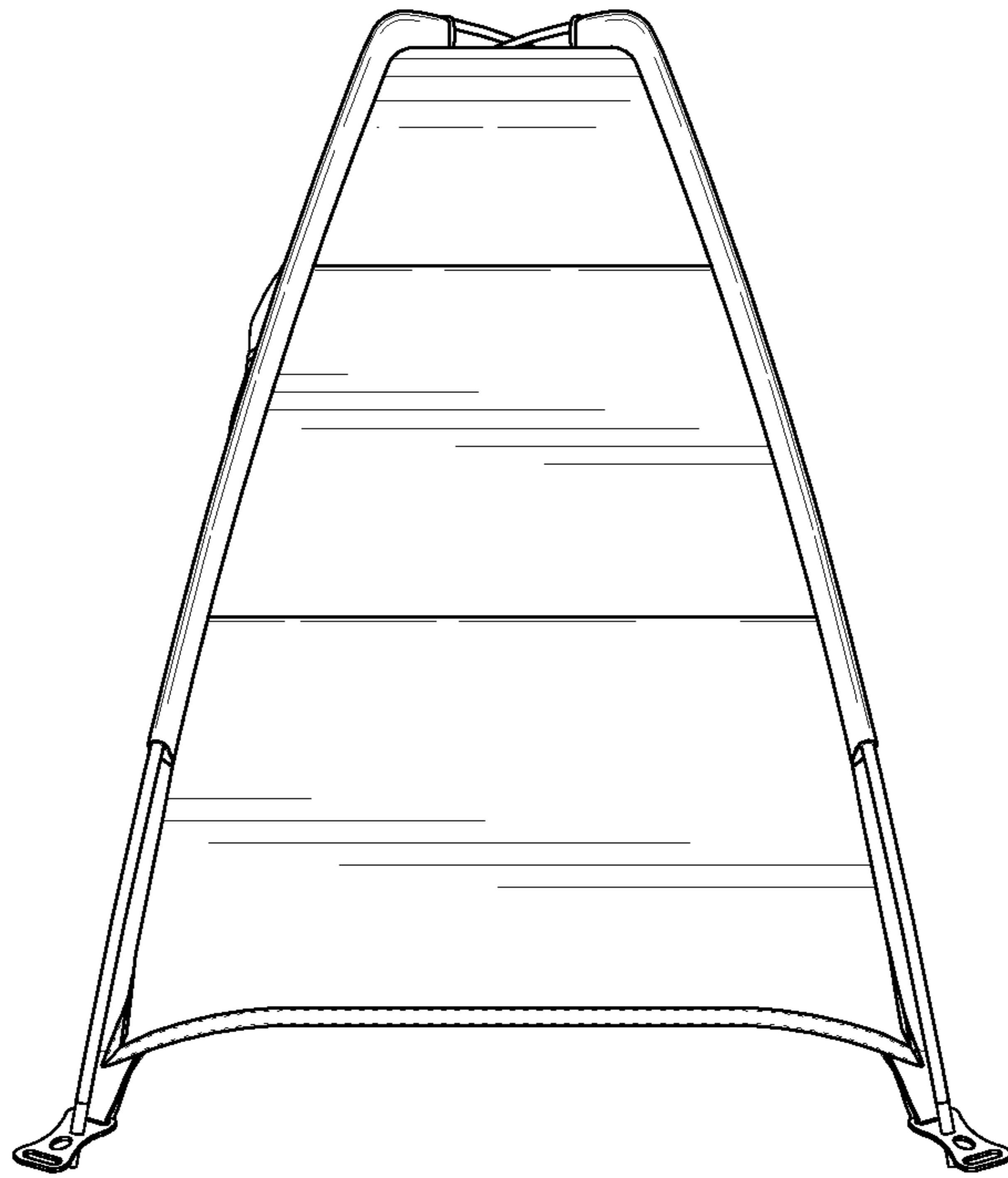


FIG.4

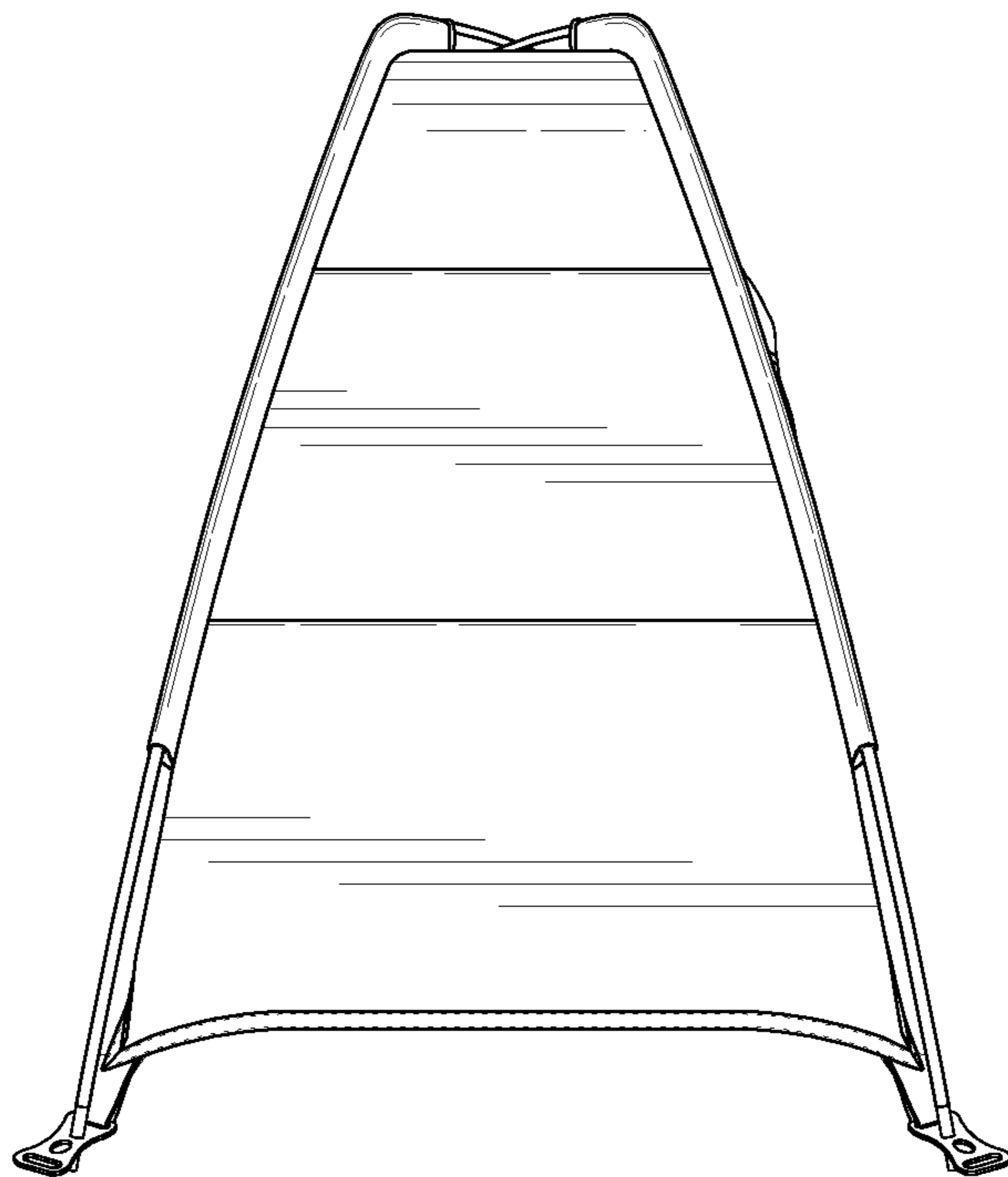


FIG.5

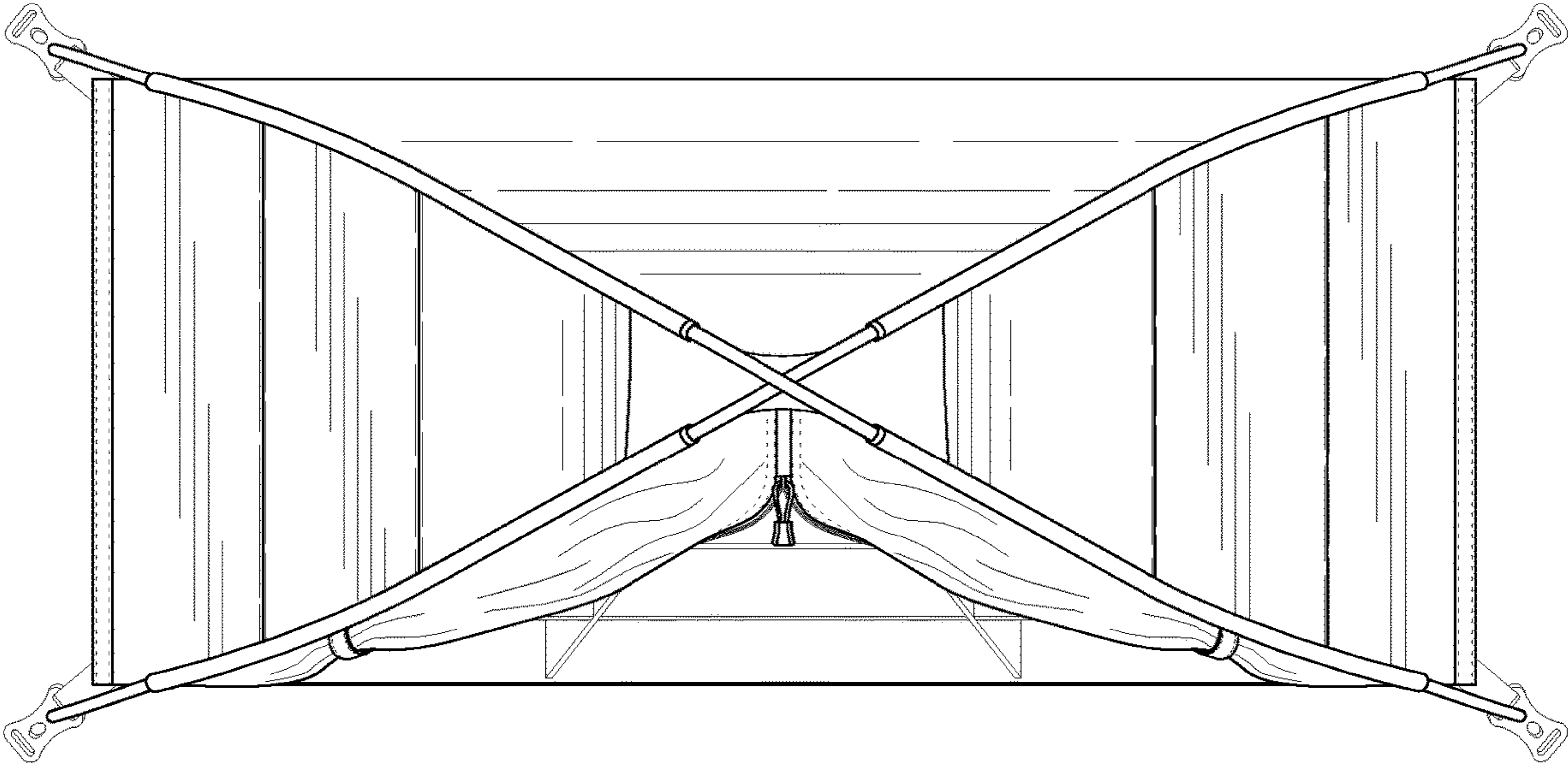


FIG. 6

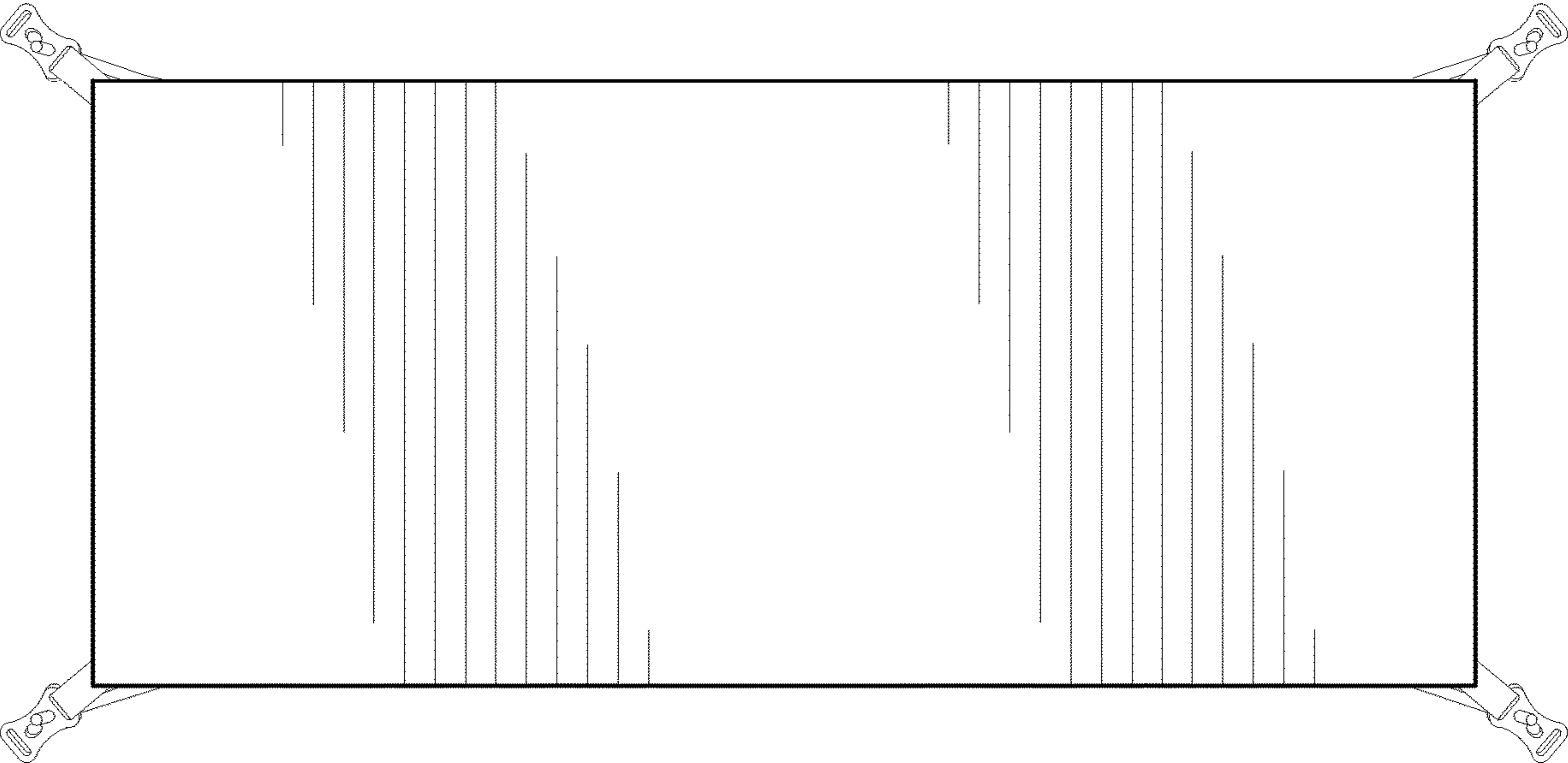


FIG. 7

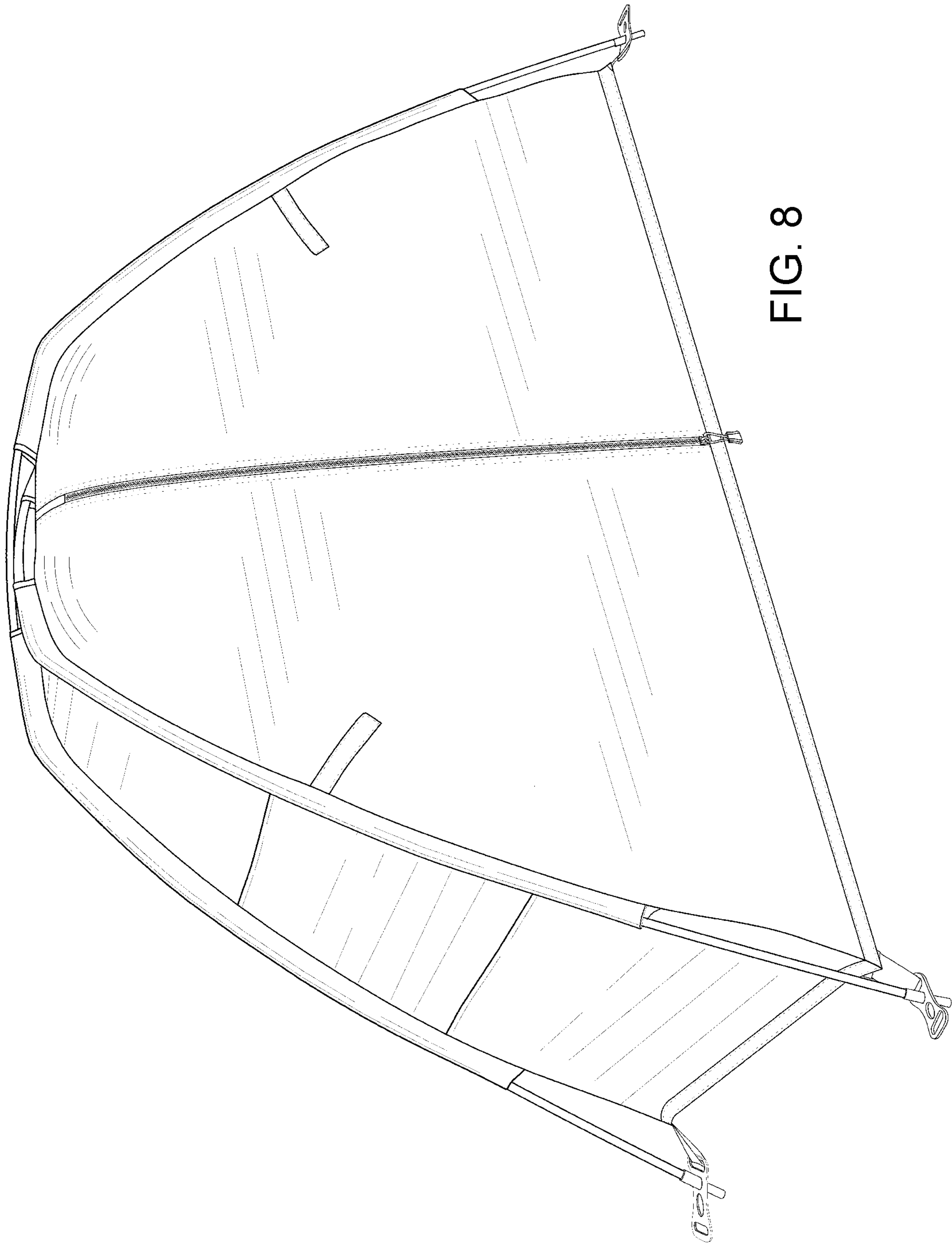


FIG. 8

FIG. 9

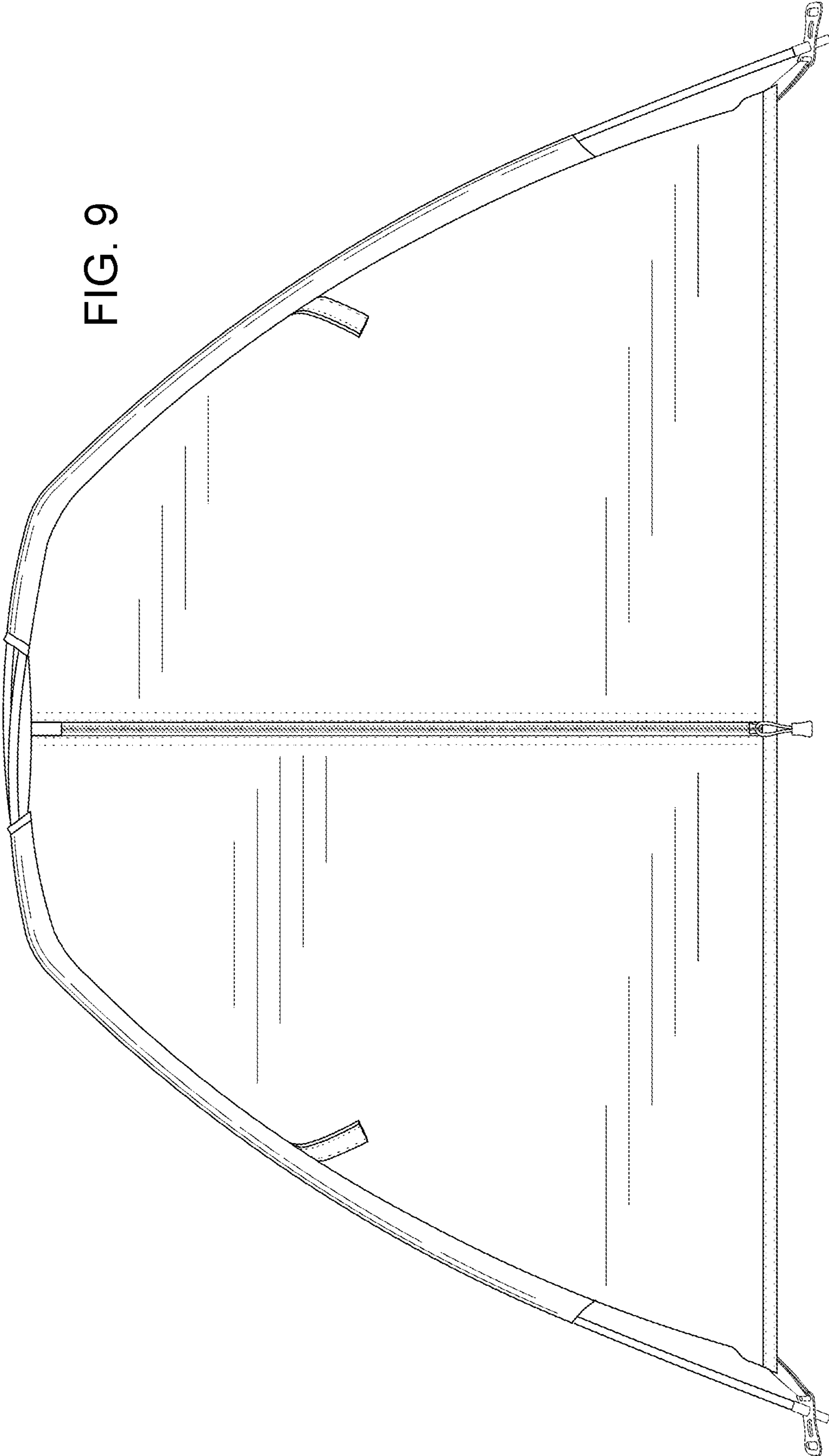
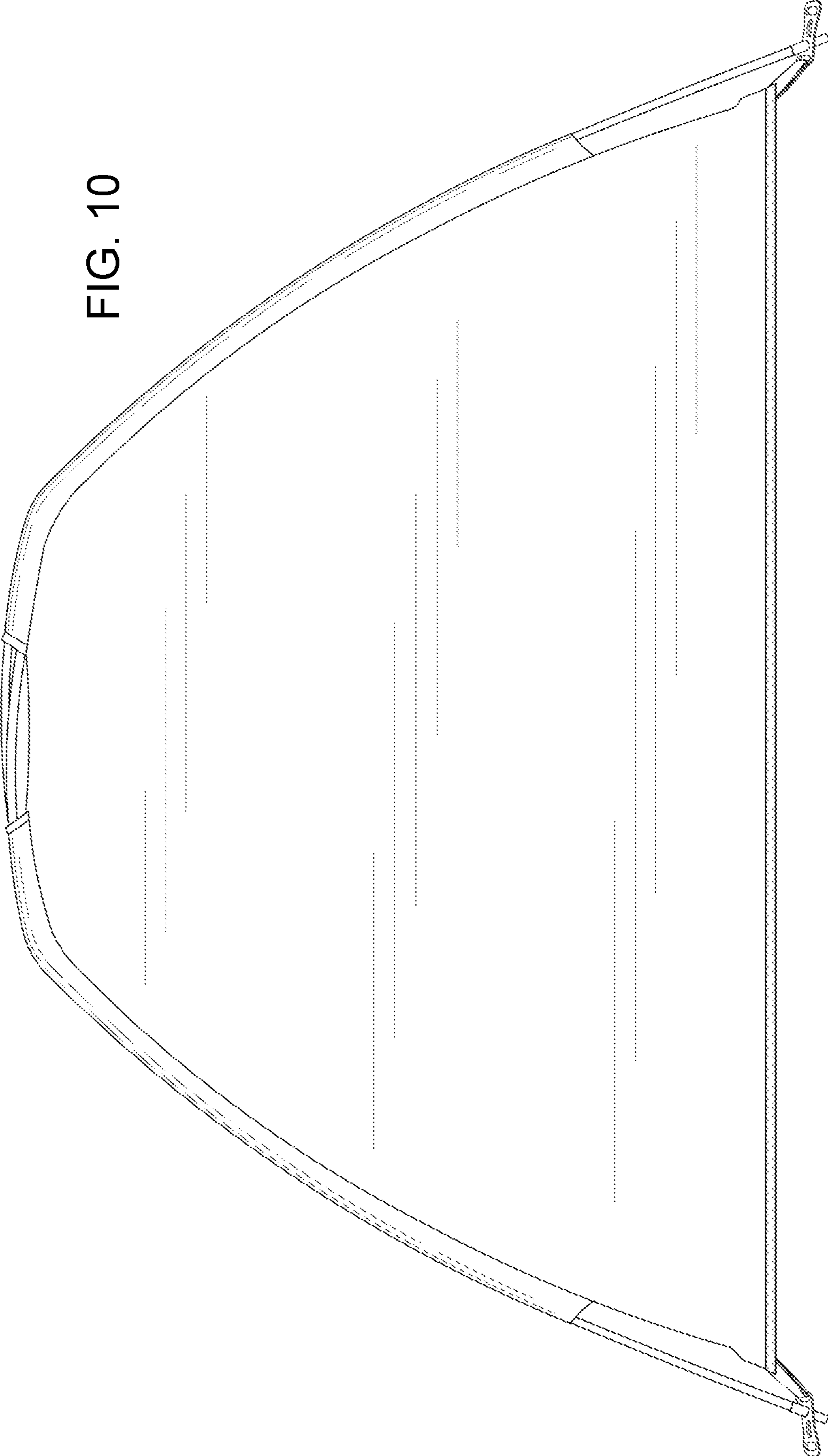




FIG. 10



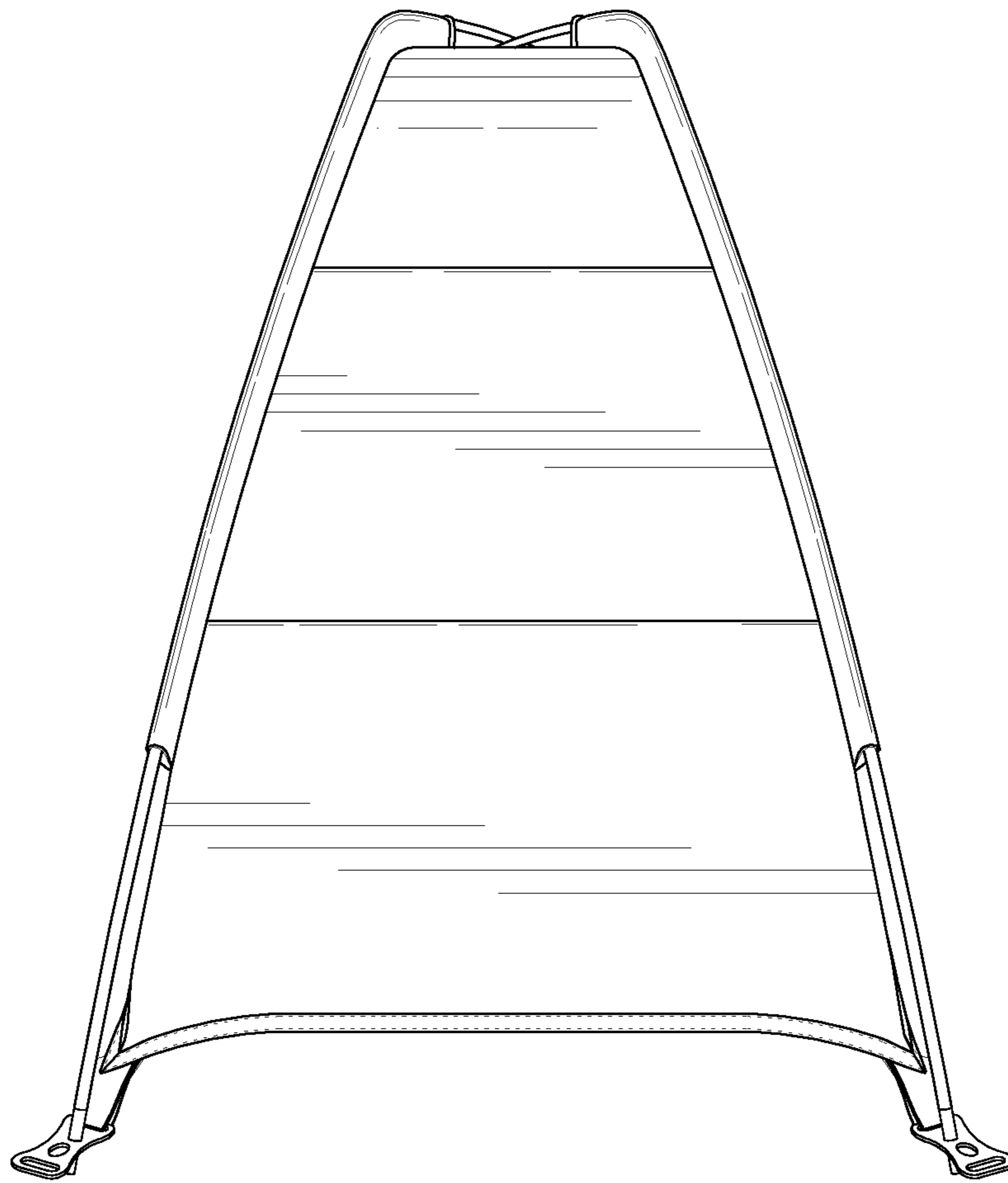


FIG.11

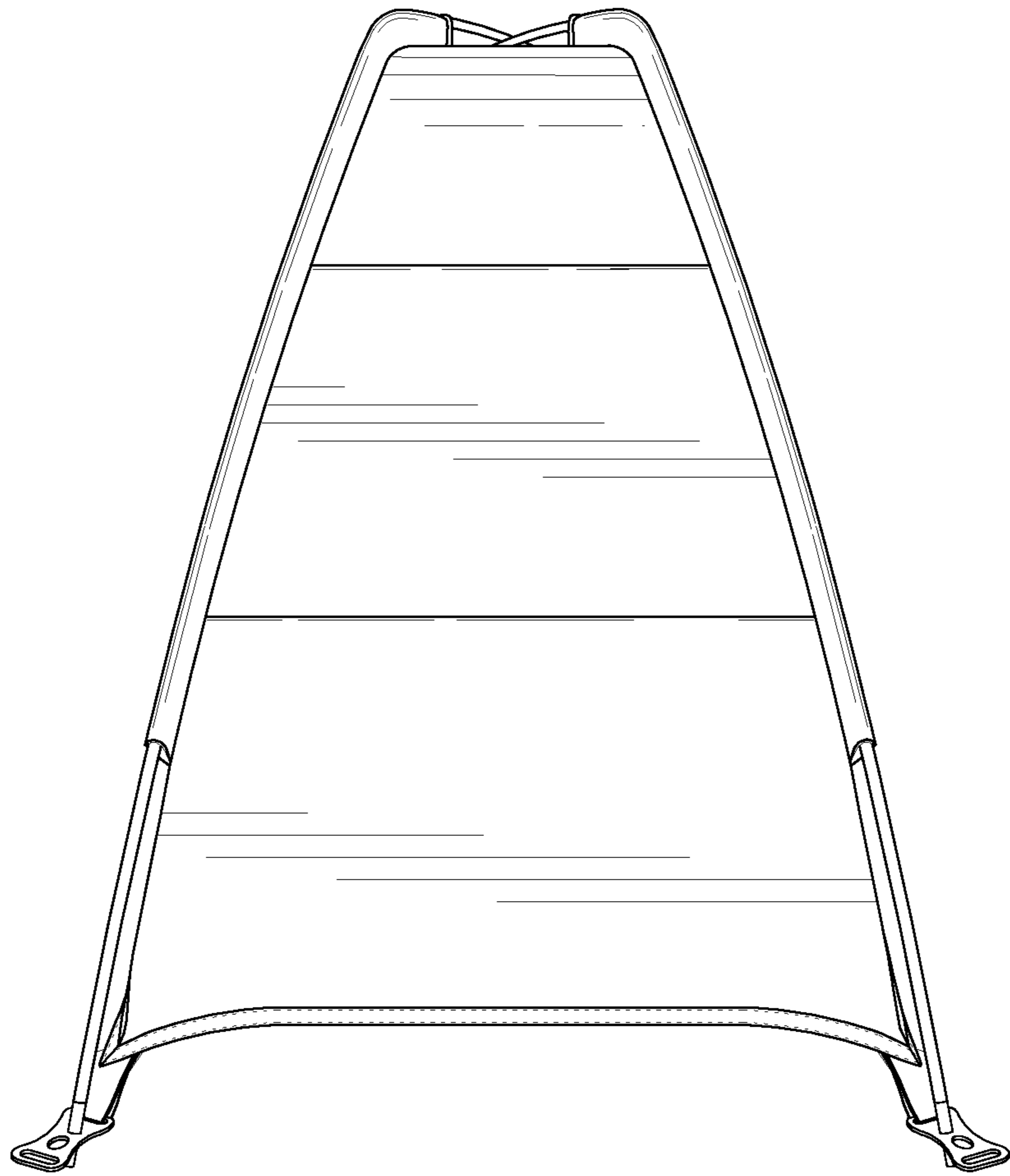


FIG.12

FIG. 13

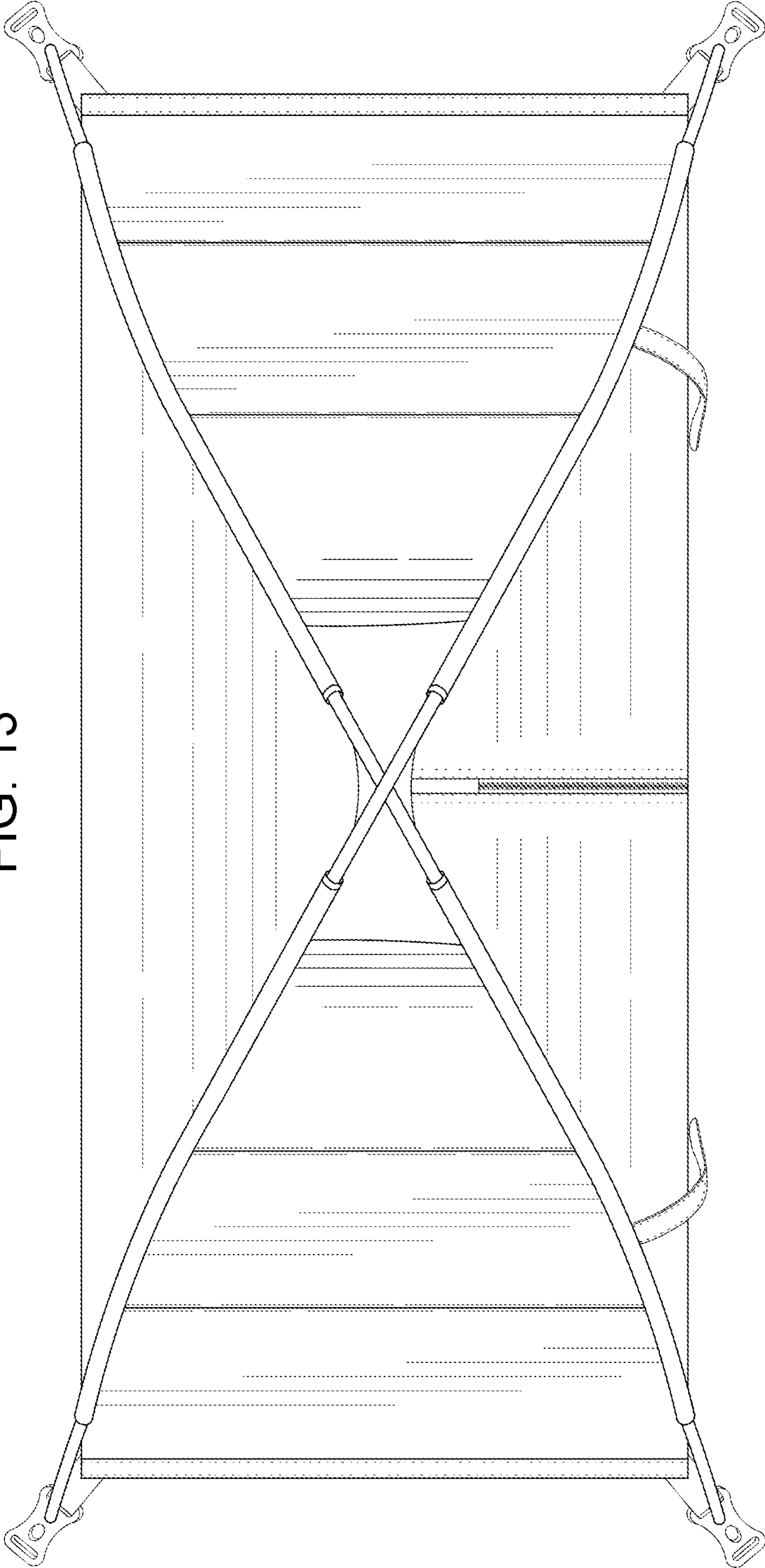


FIG. 14

