



US00D910343S

(12) **United States Design Patent** (10) **Patent No.:** **US D910,343 S**  
**Chumakov et al.** (45) **Date of Patent:** **\*\* Feb. 16, 2021**

(54) **WORKSTATION**

- (71) Applicant: **Humanscale Corporation**, New York, NY (US)
- (72) Inventors: **Vladimir Chumakov**, New York, NY (US); **Toshimasa Fukaya**, Scarsdale, NY (US); **Juan Jimenez**, Brooklyn, NY (US)
- (73) Assignee: **Humanscale Corporation**, New York, NY (US)
- (\*\*) Term: **15 Years**
- (21) Appl. No.: **29/692,177**
- (22) Filed: **May 23, 2019**

**Related U.S. Application Data**

- (63) Continuation of application No. 29/600,283, filed on Apr. 11, 2017, now Pat. No. Des. 849,456.
- (51) **LOC (13) Cl.** ..... **06-03**
- (52) **U.S. Cl.**  
USPC ..... **D6/656.15**
- (58) **Field of Classification Search**  
USPC ..... D6/310, 641, 656.13, 672, 675, 678.1, 678.2, 682, 691, 697, 700, 707.22, D6/656.15; D14/239, 447  
(Continued)

(56) **References Cited**

**U.S. PATENT DOCUMENTS**

- 4,844,387 A 7/1989 Sorgi
- D314,878 S \* 2/1991 Hart ..... D6/691.3  
(Continued)

**FOREIGN PATENT DOCUMENTS**

- EP 481159 A1 4/1992
- WO 2004079699 A1 9/2004  
(Continued)

**OTHER PUBLICATIONS**

Dell Monitor Stand User's Guide (USB 3.0 Dock MKS14), Aug. 2015, 23 pgs.

(Continued)

*Primary Examiner* — Kevin K Rudzinski  
*Assistant Examiner* — Paul D Bohannon  
(74) *Attorney, Agent, or Firm* — Womble Bond Dickinson (US) LLP

(57) **CLAIM**

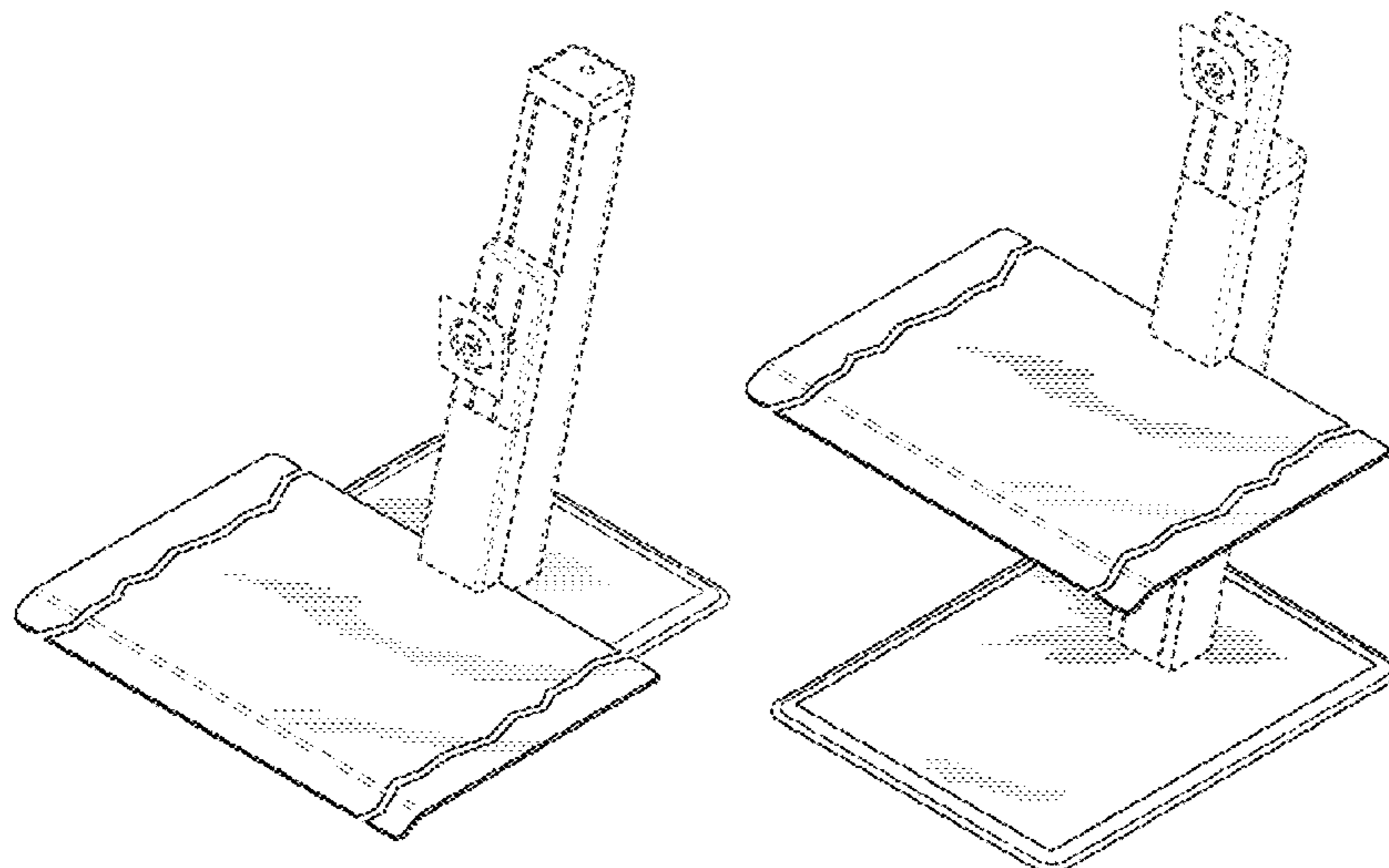
We claim the ornamental design for a workstation, as shown and described.

**DESCRIPTION**

FIG. 1 is a top front right perspective view of my new design in a first position;  
 FIG. 2 is a front view thereof;  
 FIG. 3 is a rear view thereof;  
 FIG. 4 is a left side view thereof;  
 FIG. 5 is a right side view thereof; and  
 FIG. 6 is a top view thereof.  
 FIG. 7 is a top front right perspective view of my new design in a second position;  
 FIG. 8 is a front view thereof;  
 FIG. 9 is a rear view thereof;  
 FIG. 10 is a left side view thereof;  
 FIG. 11 is a right side view thereof; and,  
 FIG. 12 is a top view thereof.

The views of the workstation not shown form no part of the claimed design. The dash-dash broken lines shown in the drawings illustrate portions of the article and form no part of the claimed design. The jagged lines shown in the figures represent a symbolic break in the length of the workstation. The appearance of any portion of the article between the jagged lines forms no part of the claim.

**1 Claim, 12 Drawing Sheets**



(58) **Field of Classification Search**  
 CPC ..... A47B 21/02; A47B 21/04; A47B 21/0314;  
 A47B 2021/0364; A47B 2097/006; A61B  
 50/13; A61B 50/15; B62B 2206/06;  
 F16M 11/046; F16M 11/18; Y10S  
 248/917; Y10S 248/918  
 See application file for complete search history.

(56) **References Cited**

U.S. PATENT DOCUMENTS

5,437,235	A	8/1995	Randolph	
D390,713	S *	2/1998	Chen	D6/367
5,751,548	A	5/1998	Hall et al.	
5,758,849	A	6/1998	Bui et al.	
5,799,917	A	9/1998	Li	
5,868,079	A	2/1999	Charny	
D429,251	S	8/2000	Sundy et al.	
D435,107	S	12/2000	Blair et al.	
6,170,408	B1	1/2001	Gombrich	
6,189,849	B1	2/2001	Sweere et al.	
6,332,407	B1	12/2001	Vardaro	
6,374,752	B1	4/2002	Walser	
D467,094	S *	12/2002	Bodzioch	D6/682
6,514,145	B1	2/2003	Kawabata et al.	
6,585,214	B1	7/2003	Dittmer	
6,592,090	B1	7/2003	Li	
D486,486	S	2/2004	Jobs et al.	
D487,805	S	3/2004	Kondo	
D495,163	S	8/2004	Weatherly	
D509,826	S	9/2005	Jobs et al.	
D512,698	S	12/2005	Augenbraun et al.	
6,994,303	B2 *	2/2006	Lin	F16M 11/28 248/122.1
D517,336	S	3/2006	Engelstad	
D521,996	S	5/2006	Kim et al.	
D524,578	S *	7/2006	Stenhouse	D6/678.1
D537,323	S	2/2007	Saez	
7,178,469	B2	2/2007	Goza	
D537,656	S *	3/2007	Stenhouse	D6/678.2
7,195,213	B2	3/2007	Weatherly	
D542,297	S	5/2007	Hung	
7,252,277	B2	8/2007	Sweere et al.	
D560,401	S *	1/2008	Hoglan	D6/678.1
7,338,022	B2	3/2008	Hung	
D576,427	S *	9/2008	Stebbens	D6/675.1
D584,734	S	1/2009	Chu	
D608,771	S	1/2010	Hsu	
7,677,518	B2	3/2010	Chouinard et al.	
7,690,317	B2	4/2010	Beck et al.	
7,694,927	B2	4/2010	Chuang	
D624,083	S	9/2010	Scheper et al.	
D624,084	S	9/2010	Scheper et al.	
D627,474	S	11/2010	Nordgren et al.	
D631,052	S	1/2011	Hung	
D643,042	S	8/2011	Saelid	
D654,503	S	2/2012	Sapper	
D655,532	S	3/2012	Saelid	
8,181,920	B2	5/2012	Brown	
D668,257	S	10/2012	Tsai	
D671,338	S	11/2012	Sexton	
D677,078	S	3/2013	Lambright et al.	
D685,806	S	7/2013	Kim et al.	
D690,306	S	9/2013	Malisse et al.	
8,720,838	B2	5/2014	Bowman et al.	
D707,209	S *	6/2014	Ranaletta	D14/239
D709,896	S	7/2014	McKinstry et al.	
D710,013	S	7/2014	Li et al.	
D712,906	S	9/2014	Wengreen et al.	
8,826,831	B2	9/2014	Hazzard et al.	
8,839,723	B2	9/2014	Hazzard et al.	
D714,775	S	10/2014	Yoo et al.	
D715,938	S	10/2014	Li et al.	
D724,072	S	3/2015	Jiang et al.	
9,080,721	B2	7/2015	Hazzard et al.	
D735,727	S	8/2015	Dugger et al.	
D740,830	S	10/2015	Chu	

D745,873	S	12/2015	Xiang et al.	
9,267,639	B2	2/2016	Sweere et al.	
D751,565	S	3/2016	Gross	
D758,375	S	6/2016	Won et al.	
9,400,083	B2	7/2016	Sapper et al.	
D769,881	S *	10/2016	Lazzi	D14/452
D778,653	S *	2/2017	Spoelhof	D6/707.22
D787,237	S *	5/2017	Bowman	D6/656.15
D787,522	S	5/2017	Lee et al.	
D790,868	S *	7/2017	Gorman	D6/310
D827,337	S *	9/2018	Herring	D6/641
D834,028	S	11/2018	Wu	
D835,114	S	12/2018	Lazzi et al.	
D836,091	S	12/2018	Shu	
D841,014	S *	2/2019	Laudadio	D14/447
D841,366	S *	2/2019	Herring	D6/641
D849,456	S *	5/2019	Chumakov	D6/656.13
D853,404	S *	7/2019	Bowman	D14/452
D888,468	S	6/2020	Blomstrom et al.	
D894,196	S	8/2020	Wu et al.	
D895,633	S	9/2020	Knapp et al.	
2005/0029850	A1	2/2005	Ponticelli	
2005/0284991	A1	12/2005	Saez	
2007/0145203	A1	6/2007	Takada et al.	
2008/0026892	A1	1/2008	Asamarai et al.	
2008/0232059	A1	9/2008	Allen	
2008/0315048	A1	12/2008	Sakata et al.	
2009/0179121	A1	7/2009	Lindblad et al.	
2011/0147546	A1	6/2011	Monsalve et al.	
2011/0233350	A1	9/2011	Burgess et al.	
2011/0260017	A1	10/2011	Monsalve et al.	
2011/0315843	A1	12/2011	Hung	
2012/0119040	A1	5/2012	Ergun et al.	
2012/0187056	A1	7/2012	Hazzard et al.	
2012/0187256	A1	7/2012	Ergun et al.	
2012/0248263	A1	10/2012	Grotenhuis	
2013/0126682	A1	5/2013	Tholkes et al.	
2013/0139736	A1 *	6/2013	Flaherty	A47B 9/16 108/106
2014/0137773	A1	5/2014	Mandel et al.	
2015/0159804	A1 *	6/2015	Bowman	F16M 11/045 248/122.1
2018/0020825	A1 *	1/2018	Hung	A47B 21/04 108/31

FOREIGN PATENT DOCUMENTS

WO	2011060223	A1	5/2011
WO	2011071856	A2	6/2011
WO	2012015821	A1	2/2012
WO	2012015822	A1	2/2012

OTHER PUBLICATIONS

Ergotron DS100 Quad-Monitor Desk Stand, <http://ergotron.com/ProductsDetails/tabid/65/PRDID/196/language/en-US/Default.aspx>, known at least as early as Jun. 7, 2016, 2 pgs.  
 Humanscale's Quickstand Workstation, <http://www.humanscale.com/products/product.cfm?group=quickstand>, known at least as early as Jun. 7, 2016, 3 pgs.  
 M2 Monitor Arm Brochure, Humanscale, known at least as early as Dec. 21, 2016, 5 pgs.  
 M8 Monitor Arm Brochure, Humanscale, known at least as early as Dec. 21, 2016, 4 pgs.  
 Ergotron, Inc., Ergotron WorkFit-S Sit-Stand Workstation, <http://www.ergotron.com/en-us/products/product-details/33-342>, Apr. 28, 2014 (last printed Jul. 5, 2017), 6 pgs.  
 YouTube. &URL: <https://www.youtube.com/watch?v=kY3zIRz-ZKY>; Aug. 1, 2016. Human Scale Quick Stand, 2 pgs.  
 Office Depot & OfficeMax. &URL: [http://www.officedepot.com/catalog/search.do?Ntt=302938%27\)/0EPABPABDWorkFir/oEPABPABDS%EP/oBP/013DDisplay%0EP/0BF%BDStand.&gt;](http://www.officedepot.com/catalog/search.do?Ntt=302938%27)/0EPABPABDWorkFir/oEPABPABDS%EP/oBP/013DDisplay%0EP/0BF%BDStand.&gt;) Feb. 2, 2016. Ergotron WorkFit S Display Stand, 2 pgs.  
 Amazon. &URL: [https://www.amazon.com/dp/BOOBRBX3DM/ref=asc\\_df\\_BOOBRBX3DM5102834/?tag=hyprod%0C2cY0AD20](https://www.amazon.com/dp/BOOBRBX3DM/ref=asc_df_BOOBRBX3DM5102834/?tag=hyprod%0C2cY0AD20)

(56)

**References Cited**

## OTHER PUBLICATIONS

&creative=394997&creativeASIN=BOOBRBX3DM&linkCode=°/0E2')/080%A6.&gt; Mar. 29, 2013. Ergotron Mounting Arm, 9 pgs. Kangaroo Elite, <https://www.ergodesktop.com/kangaroo>, known at least as early as Dec. 31, 2015, 3 pgs.

Winston Workstation Models, <https://innovativeworkspaces.com/site/assets/files/1213/winston-workstation-single-and-dual.pdf>, known at least as early as Dec. 31, 2017, 4 pgs.

Ergotron Workfit-A, <https://www.ergotron.com/en-us/products>, known at least as early as Apr. 10, 2017, 7 pgs.

Ergotron Workfit-SR, <https://www.ergotron.com/portals/0/reserved/resources/05-workfit-sr-orig.pdf>, known at least as early as Apr. 22, 2020, 2 pgs.

Ergotron Workfit-TL, <https://www.ergotron.com/portals/0/reserved/resources/tested-certified-desk-converters-orig.pdf>, known at least as early as Jan. 3, 2019, 2 pgs.

Flexispot, <https://www.flexispot.com/standing-desk-converters/standing-desk-converters-all>, known at least as early as Apr. 10, 2017, 15 pgs.

VariDesk, <https://www.vari.com/varidesk-converters/>, known at least as early as Apr. 10, 2017, 3 pgs.

Fully, Cora Standing Desk Converter, <https://www.fully.com/standing-desks/desk-converters/cora-standing-desk-converter.html>, known at least as Dec. 31, 2018, 11 pgs.

Humanscale Quickstand Unit with Crossbar for Dual Monitor & Platform, <https://www.humanscale.com/products/standing-desks>, known at least as early as Dec. 31, 2014, 17 pgs.

\* cited by examiner

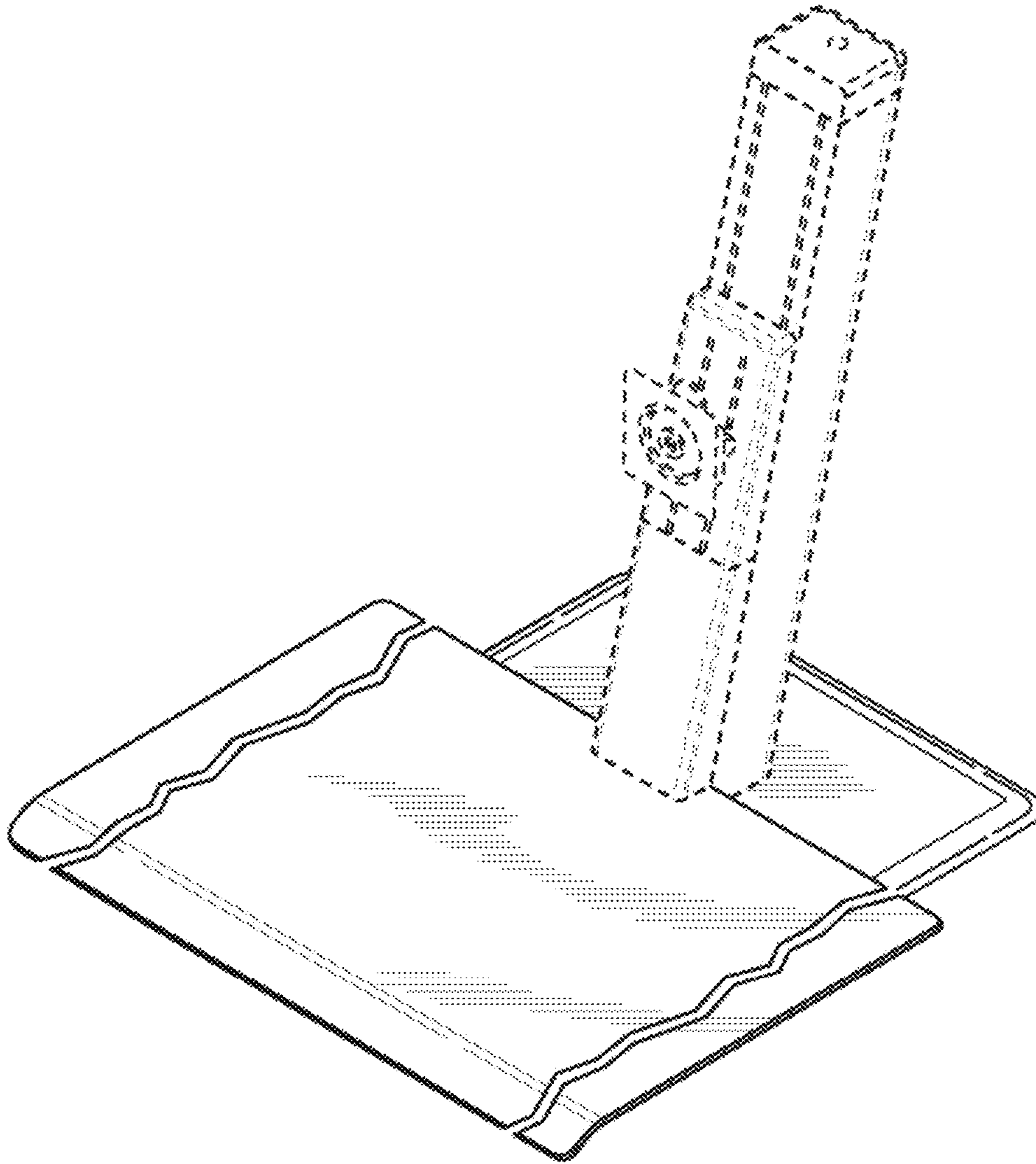


FIG. 1

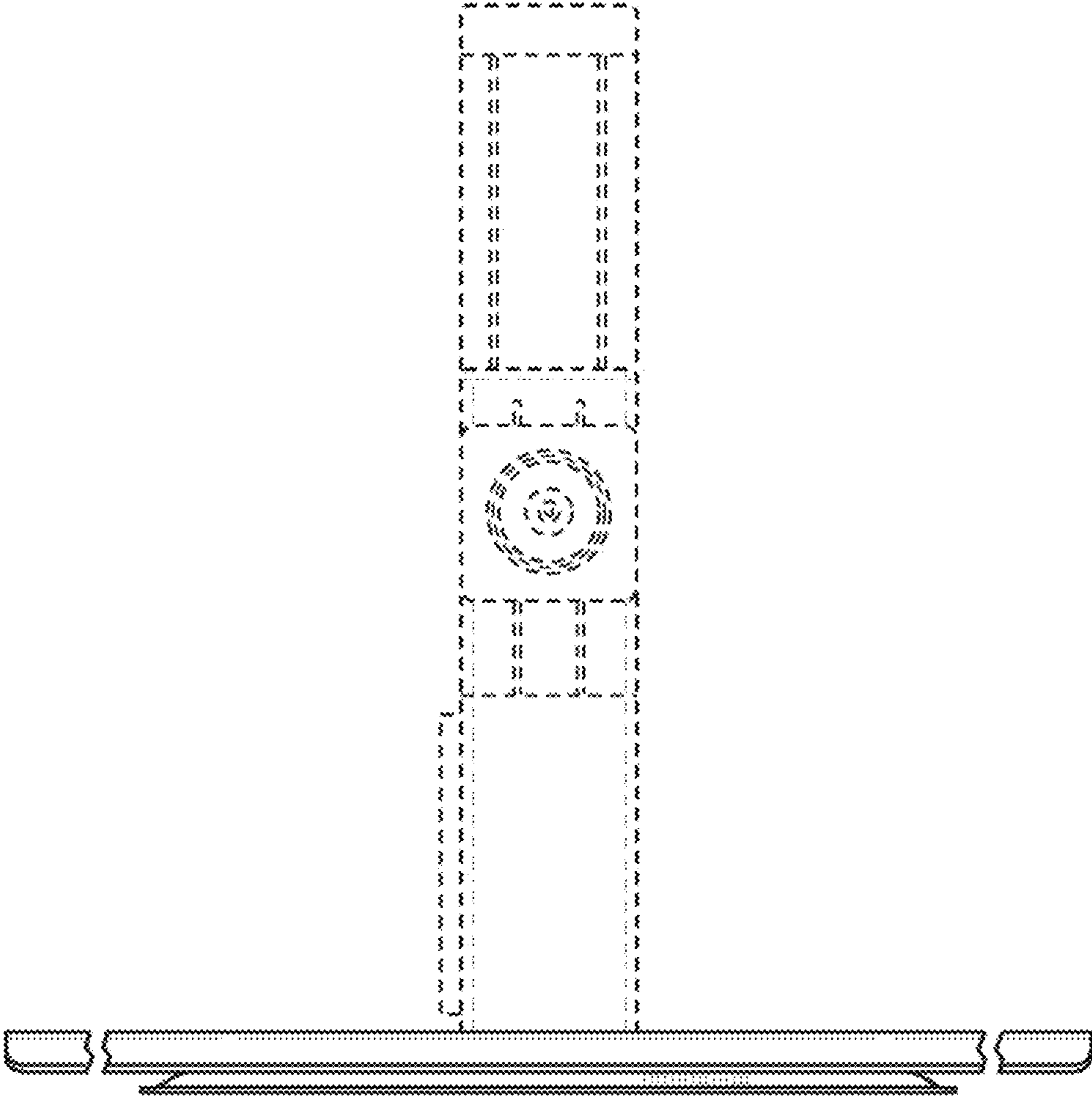


FIG. 2

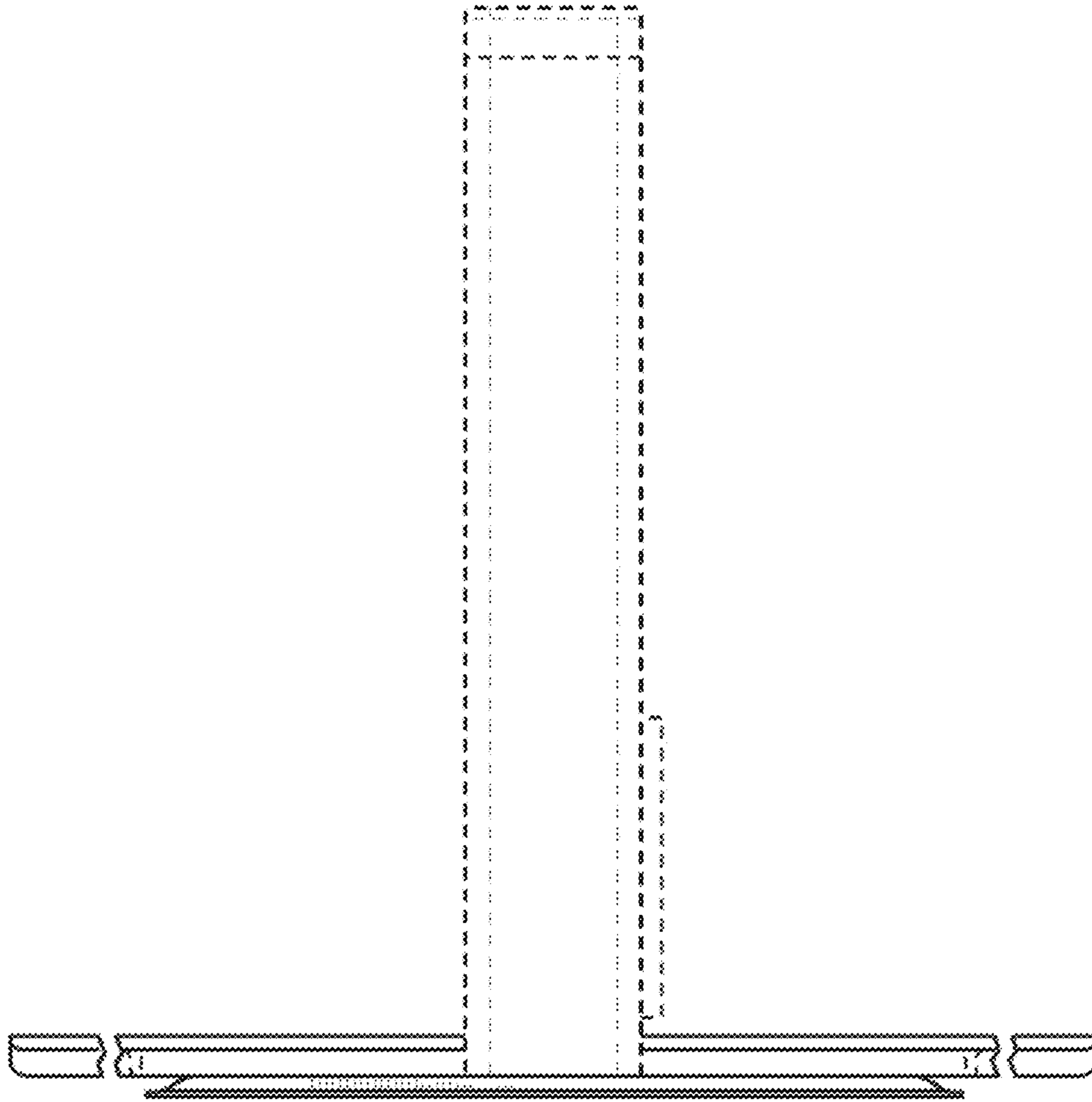


FIG. 3

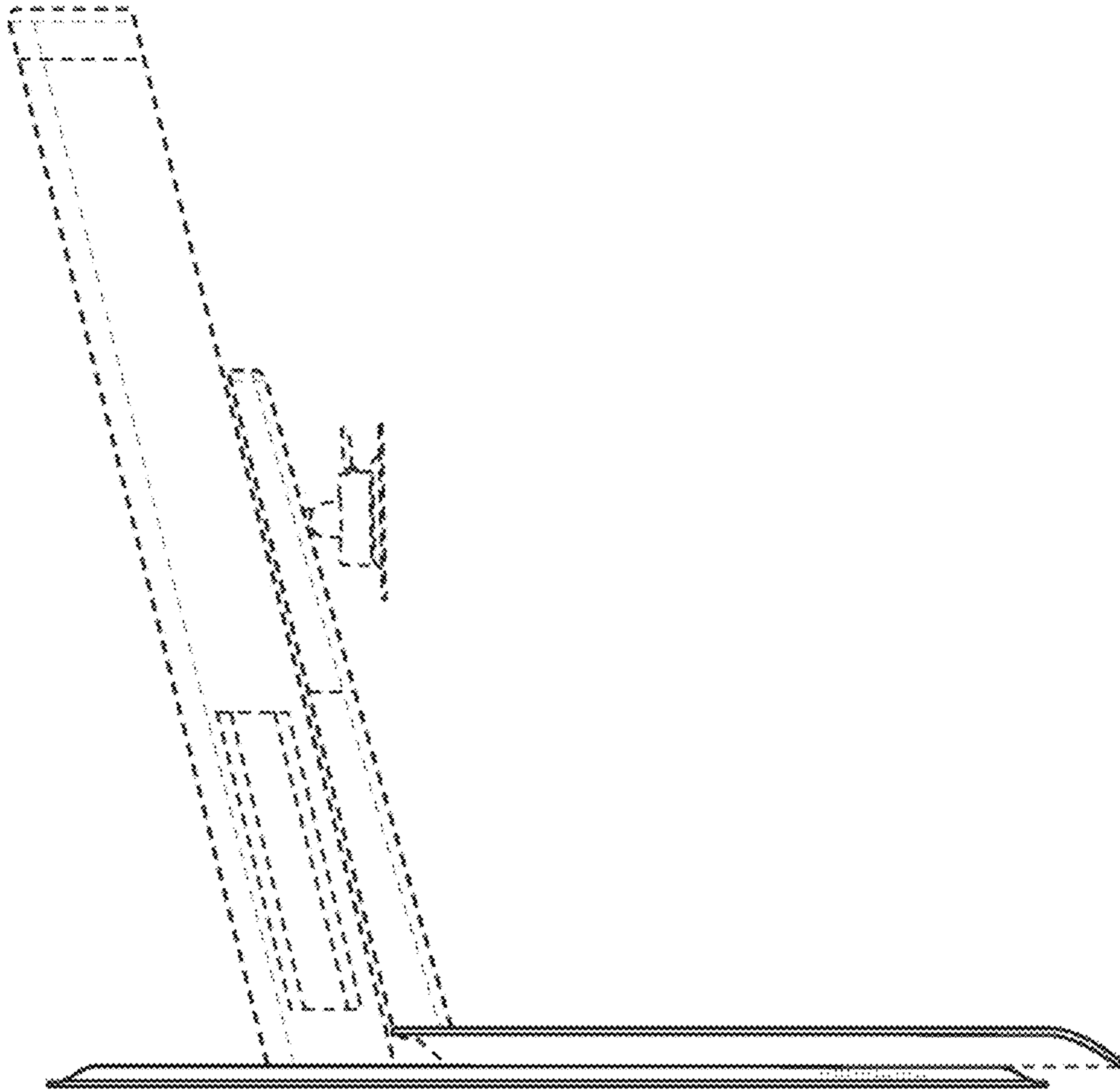


FIG. 4

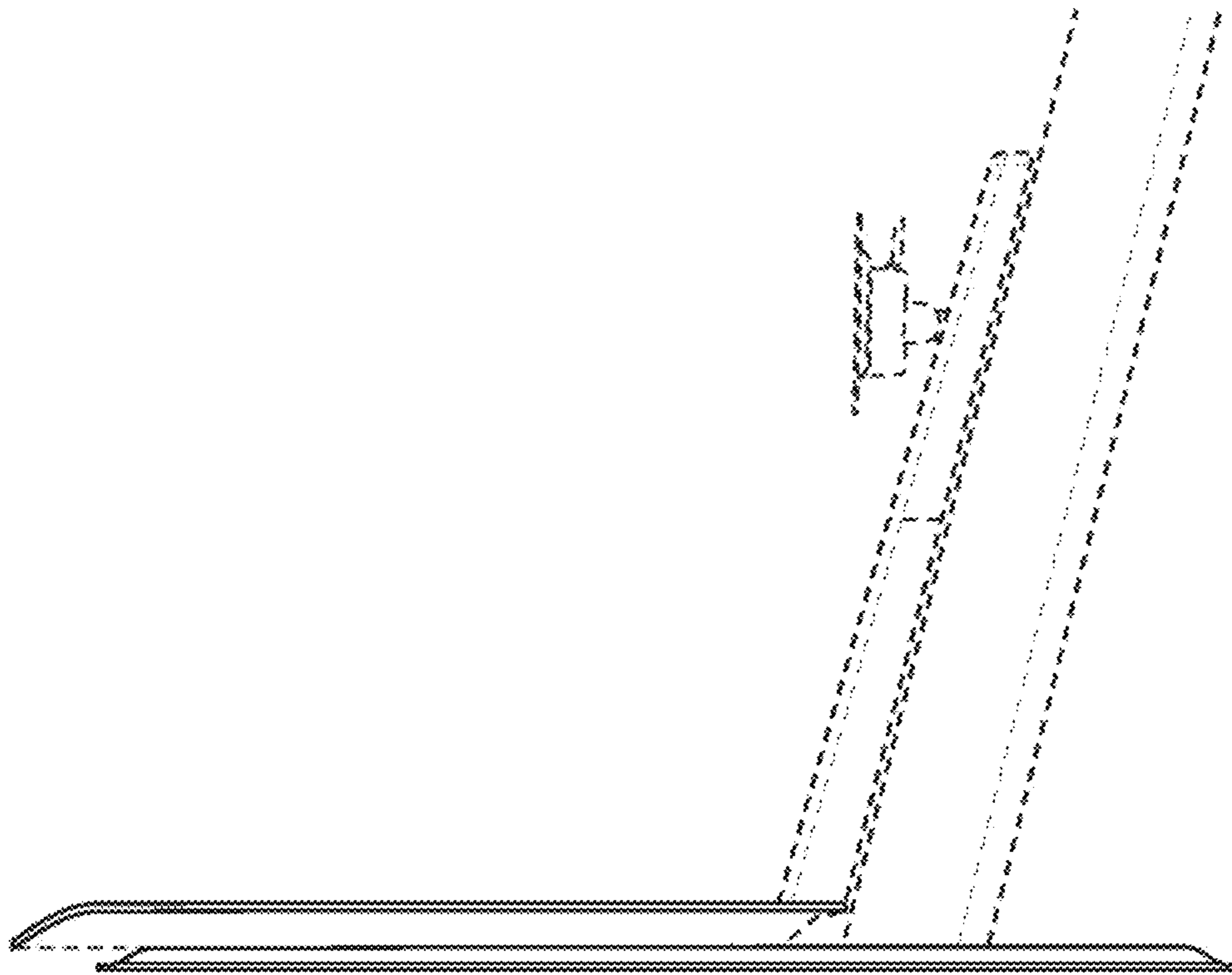


FIG. 5



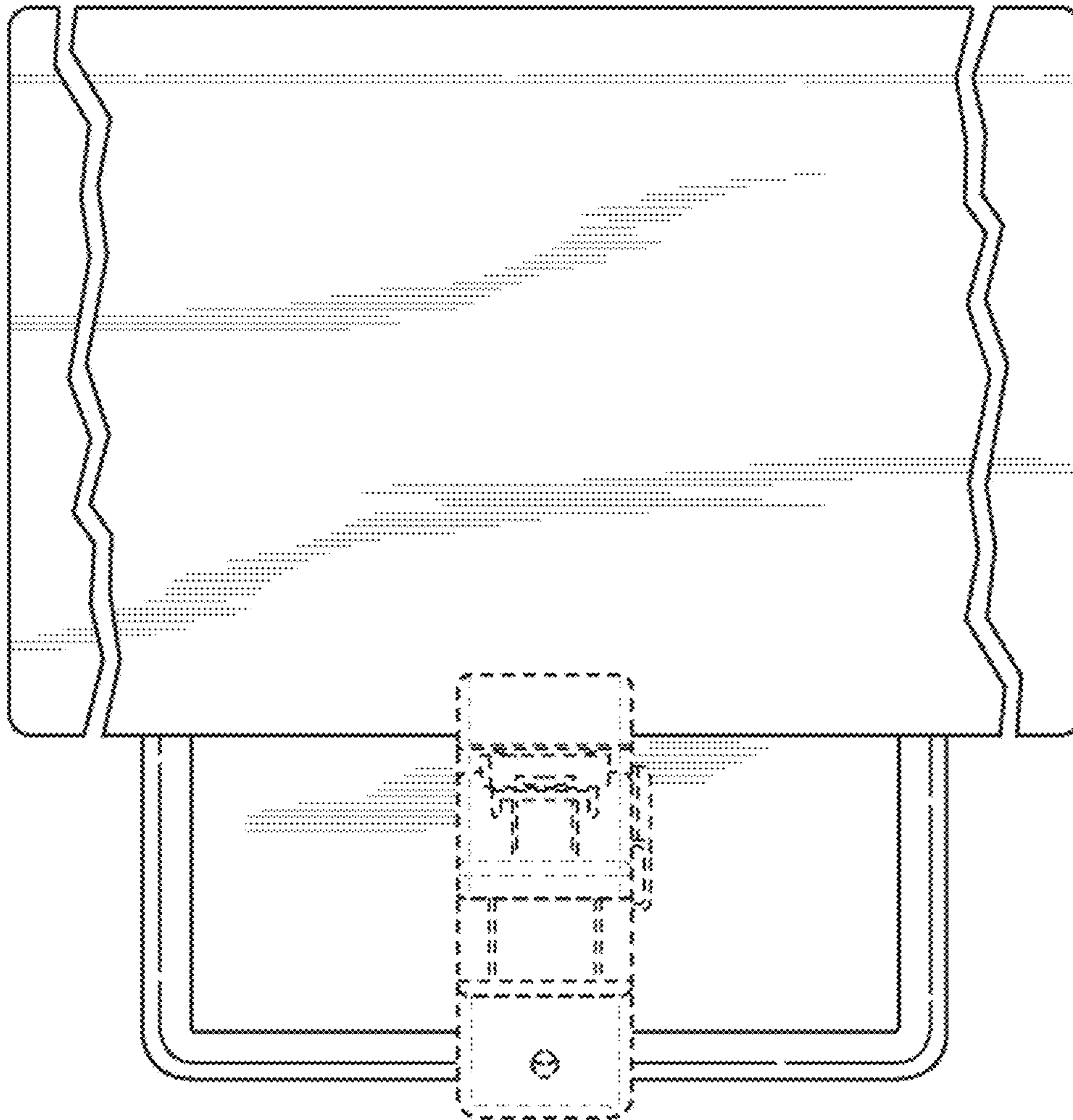


FIG. 6

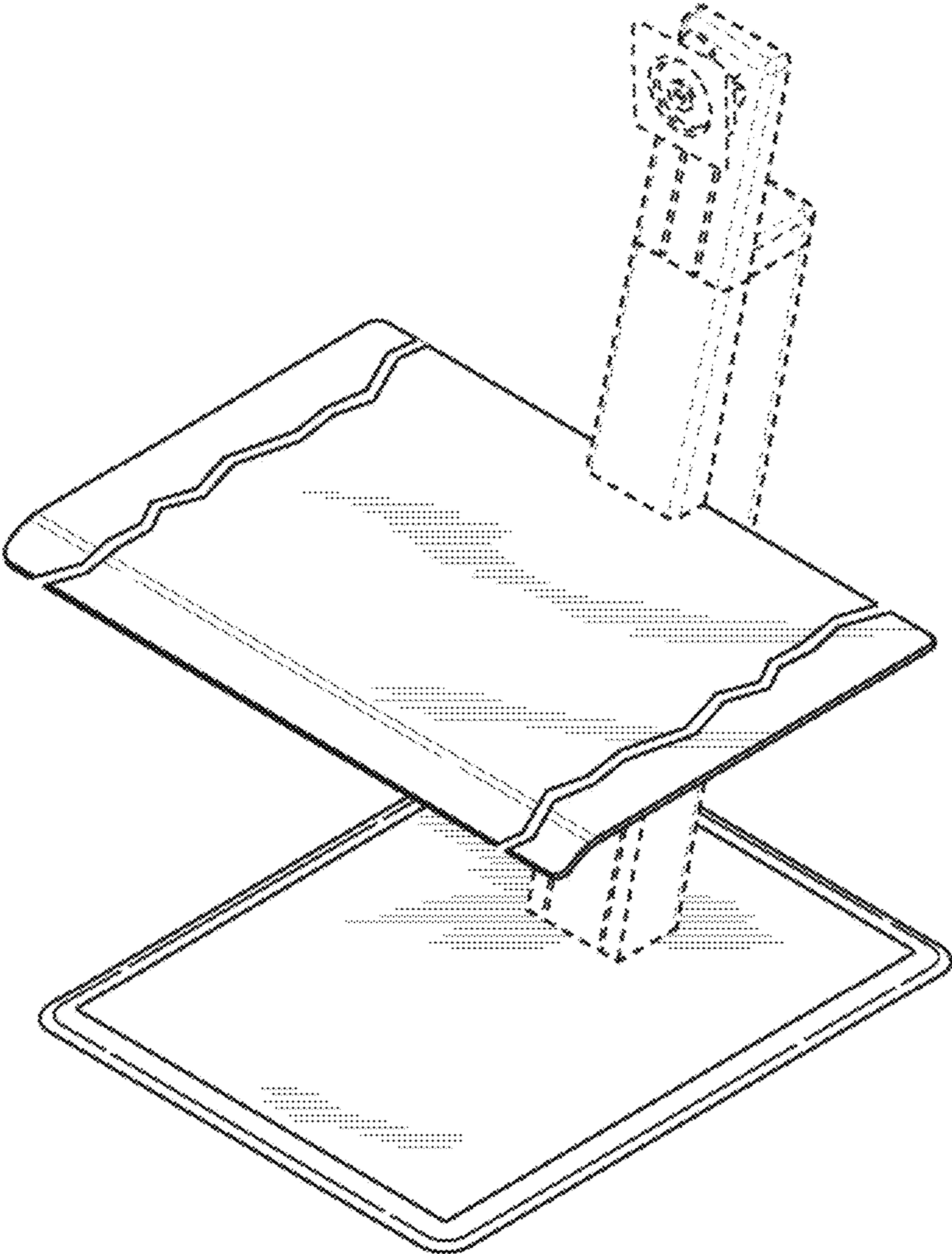


FIG. 7

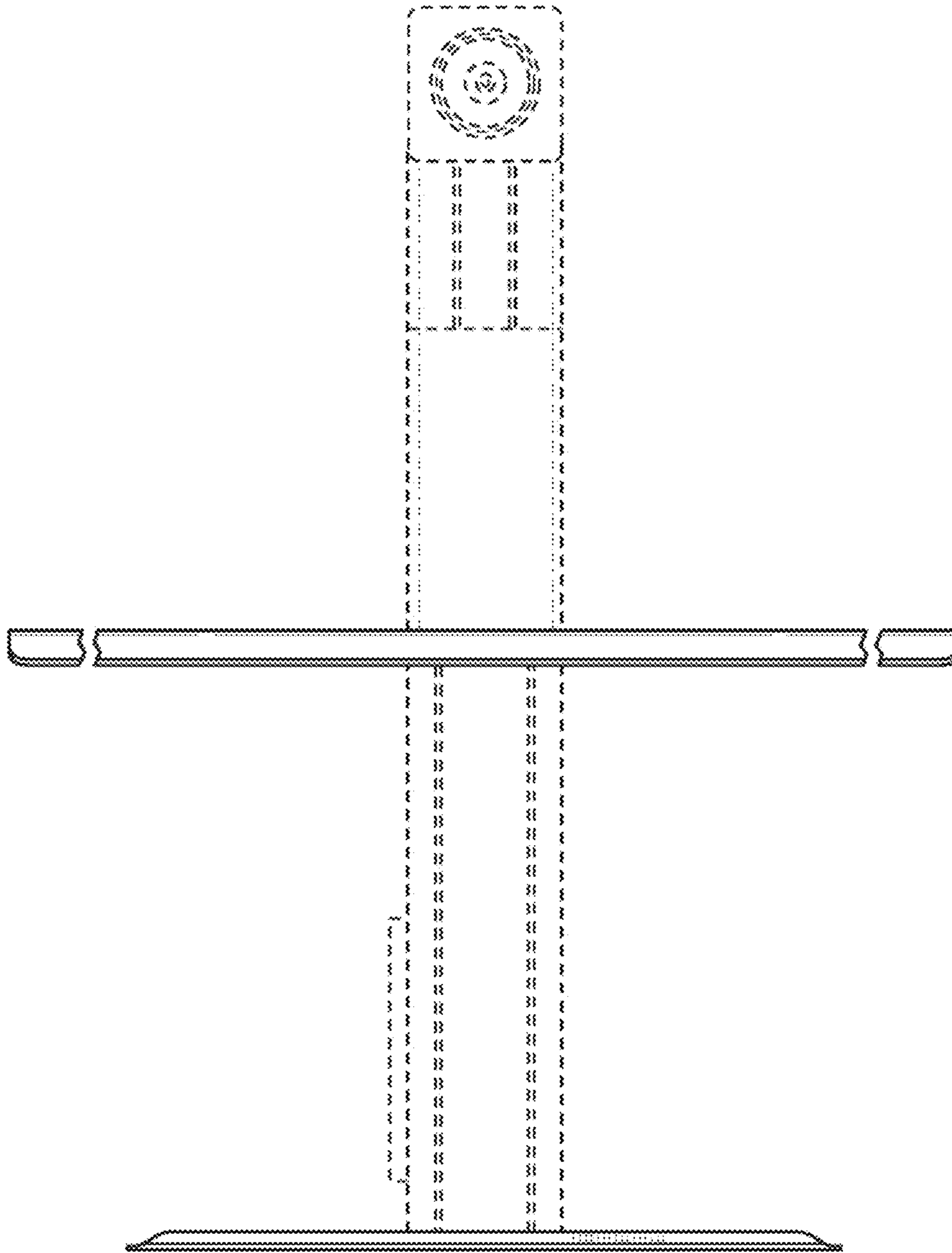


FIG. 8

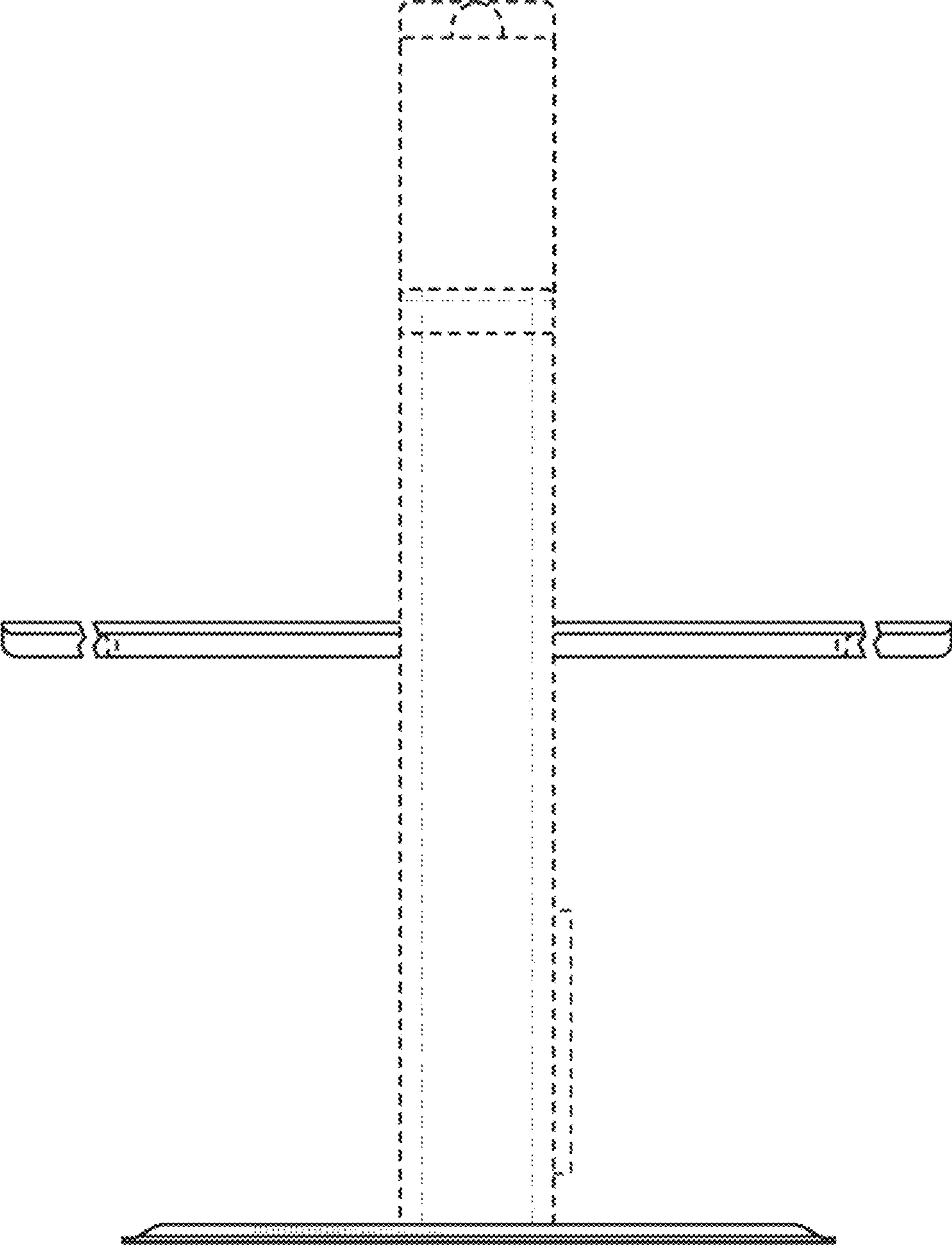


FIG. 9

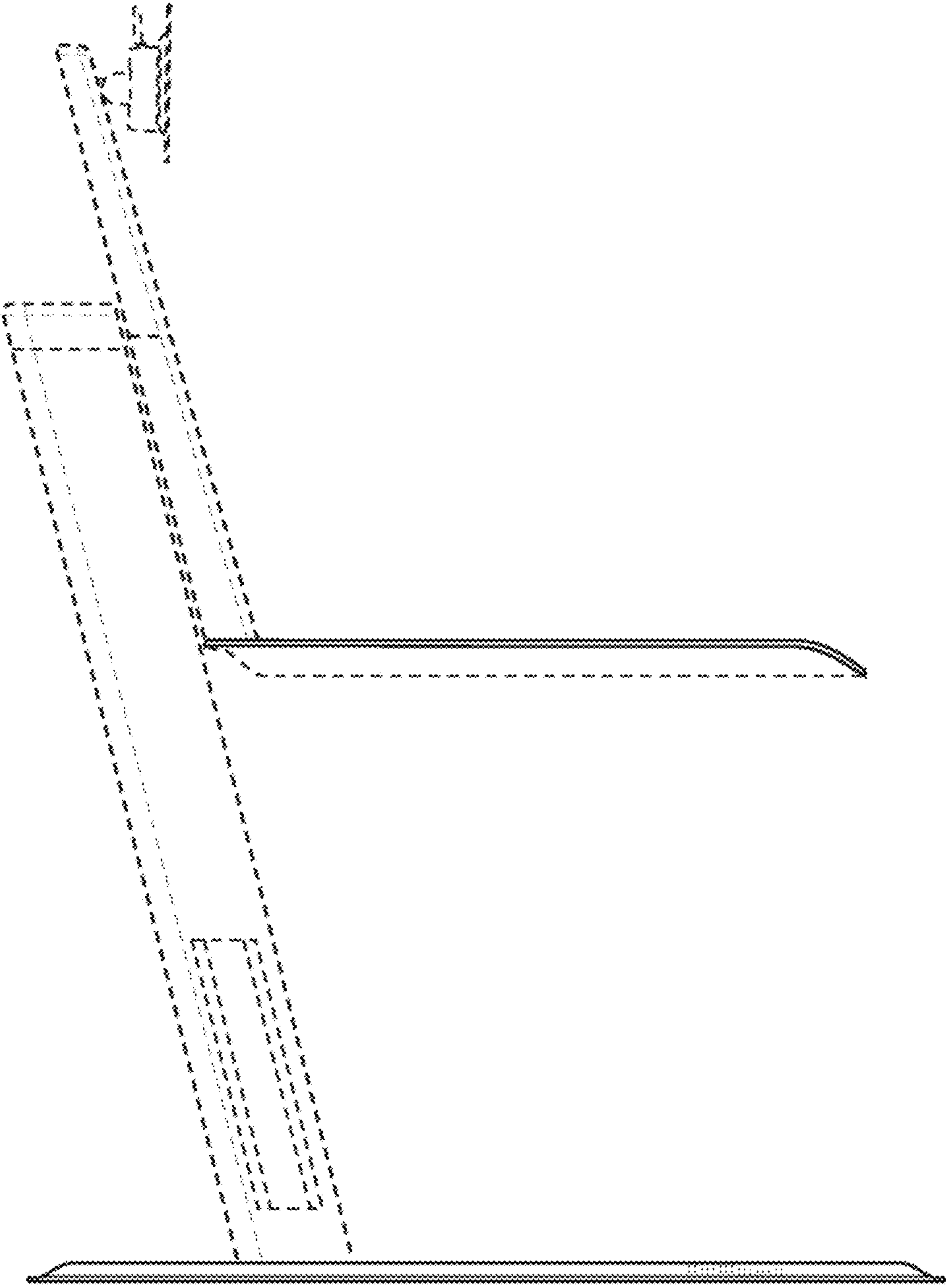


FIG. 10

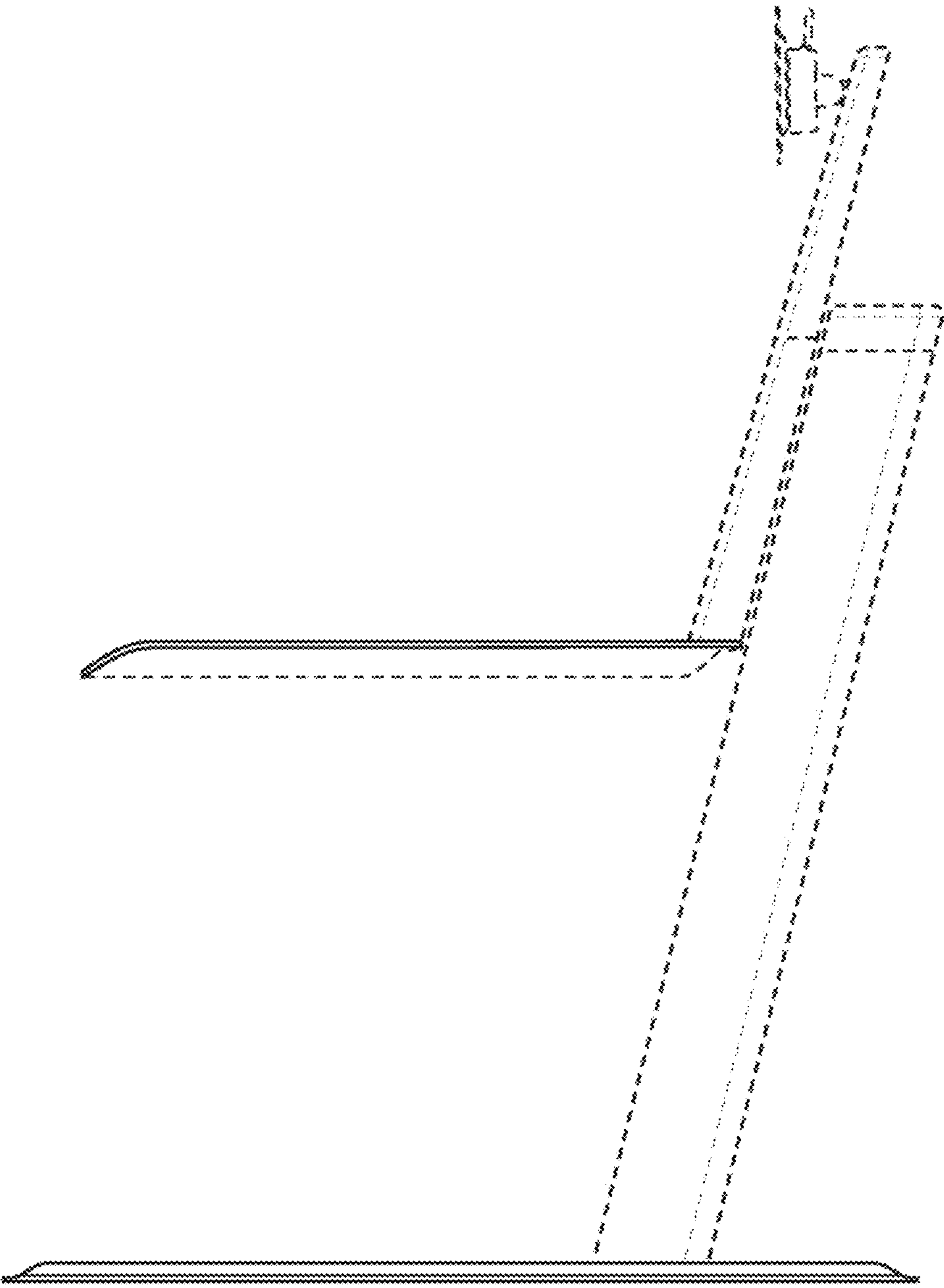


FIG. 11

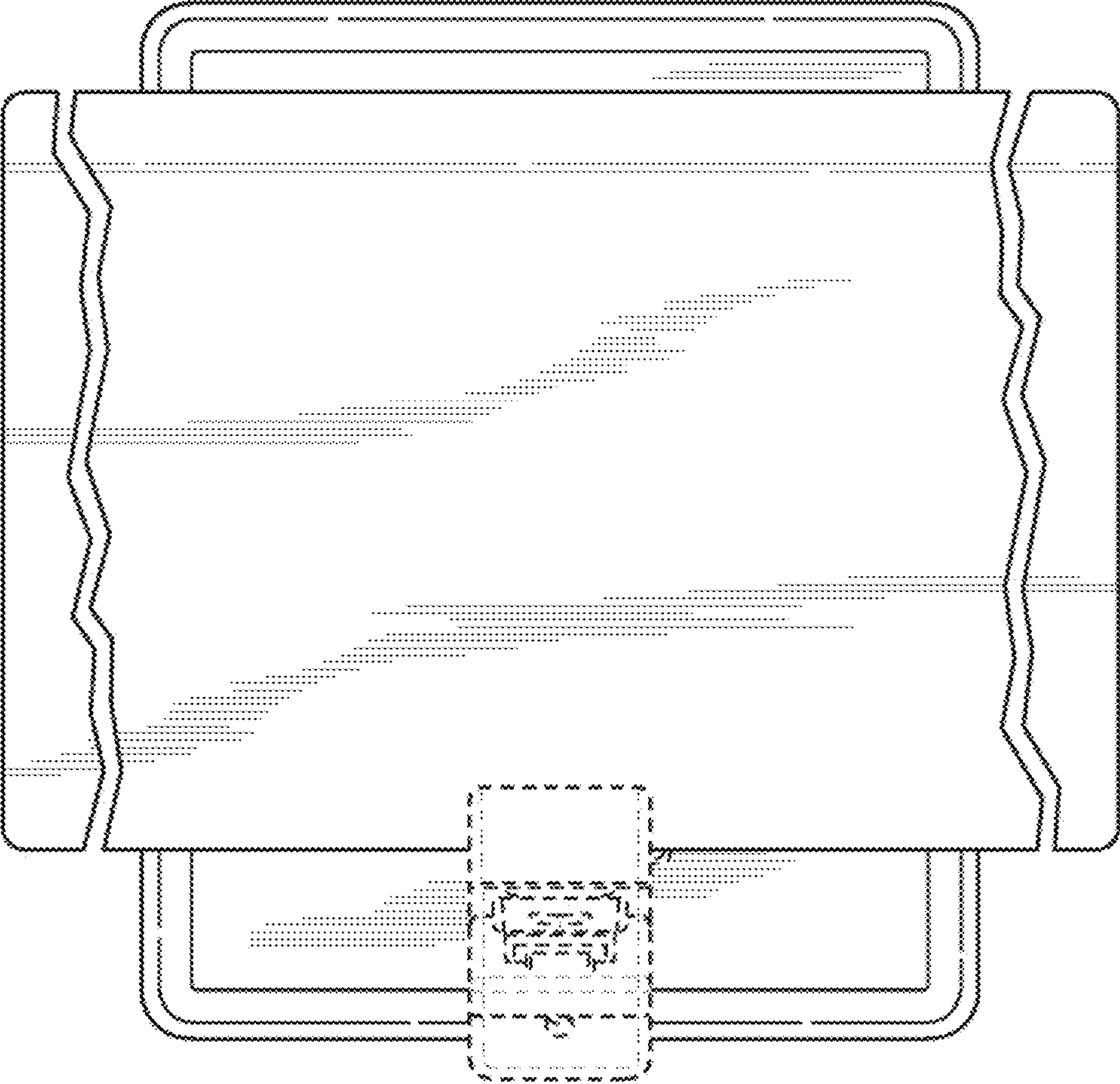


FIG. 12