



US00D910339S

(12) **United States Design Patent** (10) **Patent No.:** **US D910,339 S**  
**Dennewald** (45) **Date of Patent:** **\*\* Feb. 16, 2021**

(54) **PILLOW**  
(71) Applicant: **Denneroll Holdings Pty Ltd**, Cromer (AU)  
(72) Inventor: **Adrian Dennewald**, Waverton (AU)  
(73) Assignee: **DENNEROLL HOLDINGS PTY LTD**, Cromer (AU)

D276,938 S 12/1984 Pedersen  
4,494,261 A 1/1985 Morrow  
4,513,462 A 4/1985 Thomas  
4,550,459 A 11/1985 Endel et al.  
D286,586 S 11/1986 Radford  
4,679,263 A 7/1987 Honer  
4,754,513 A 7/1988 Rinz  
4,756,090 A 7/1988 Pedrow  
4,759,089 A 7/1988 Fox  
4,777,678 A 10/1988 Moore

(Continued)

(\*\*) Term: **15 Years**

**FOREIGN PATENT DOCUMENTS**

(21) Appl. No.: **29/664,082**

CN 88203329 U 12/1988  
CN 2071030 U 2/1991

(22) Filed: **Sep. 21, 2018**

(Continued)

(51) **LOC (13) Cl.** ..... **06-09**

(52) **U.S. Cl.**

**OTHER PUBLICATIONS**

USPC ..... **D6/601**

(58) **Field of Classification Search**

International Search Report and Written Opinion of the International Searching Authority dated Dec. 19, 2019 for International Application No. PCT/AU2019/051087.

USPC ..... D6/582–583, 587–592, 595–609,

D6/617–622; D21/803–809; D24/183

CPC ..... A47G 9/00; A47G 2009/001; A47G

2009/002; A47G 2009/003; A47G 9/10;

A47G 9/1009; A47G 2009/1018; A47G

9/1045; A47G 9/1081; A47G 9/109

See application file for complete search history.

(Continued)

*Primary Examiner* — Jennifer L Rempfer

(74) *Attorney, Agent, or Firm* — Mackey Law Firm

PLLC

(56) **References Cited**

(57) **CLAIM**

**U.S. PATENT DOCUMENTS**

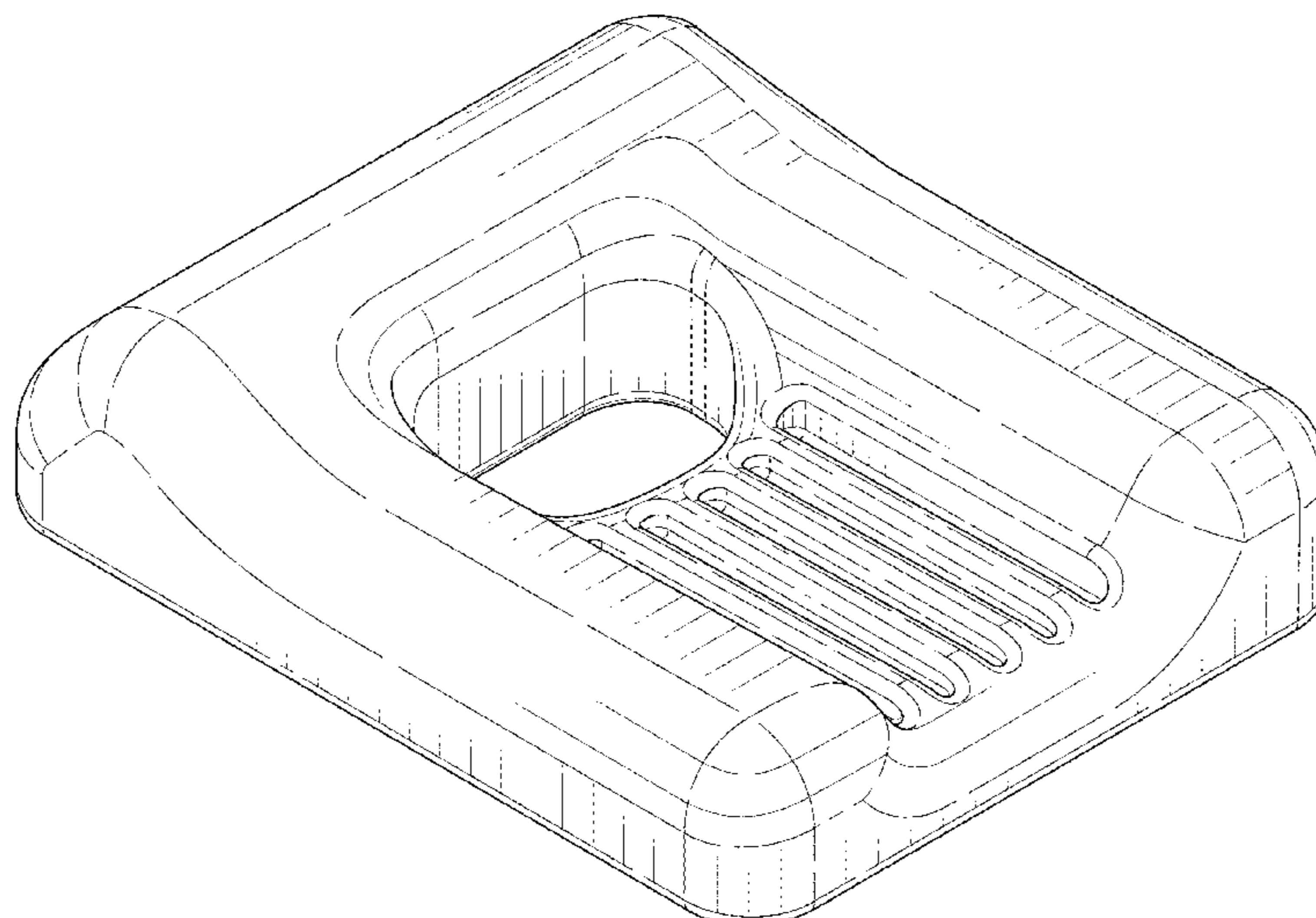
The ornamental design for the pillow, as shown and described.

2,700,779 A 2/1955 Tolkowsky  
2,835,905 A 5/1958 Tomasson  
2,880,428 A 4/1959 Forsland  
3,648,308 A 3/1972 Greenawalt  
3,829,917 A 8/1974 Da Laittre et al.  
3,842,453 A 10/1974 Redfield  
D240,311 S 6/1976 Owens  
D241,104 S 8/1976 Copeland  
D245,298 S 8/1977 Brahm  
D247,406 S 3/1978 Stahl et al.  
D254,029 S 1/1980 Barbagallo  
D255,959 S 7/1980 Mitchell  
D256,408 S 8/1980 Nakisbendi  
4,218,792 A 8/1980 Kogan  
4,424,599 A 1/1984 Hannouche

**DESCRIPTION**

FIG. 1 is a top perspective view of a pillow.  
FIG. 2 is a front view of the pillow of FIG. 1.  
FIG. 3 is a rear view of the pillow of FIG. 1.  
FIG. 4 is a side view of the pillow of FIG. 1.  
FIG. 5 is another side view of the pillow of FIG. 1.  
FIG. 6 is a top view of the pillow of FIG. 1.  
FIG. 7 is a bottom view of the pillow of FIG. 1; and,  
FIG. 8 is a bottom perspective view of the pillow of FIG. 1.

**1 Claim, 7 Drawing Sheets**



(56)

References Cited

U.S. PATENT DOCUMENTS

4,805,603 A 2/1989 Cumberland  
 4,821,355 A 4/1989 Burkhardt  
 4,829,614 A 5/1989 Harper  
 4,832,007 A 5/1989 Davis, Jr. et al.  
 4,907,306 A \* 3/1990 Nakaji ..... A47G 9/10  
 5/632  
 4,916,765 A 4/1990 Castronovo, Jr.  
 D308,141 S 5/1990 Genova et al.  
 4,928,335 A 5/1990 Pedrow  
 D310,609 S 9/1990 Burkhardt  
 4,956,886 A 9/1990 Sarkozi  
 D314,284 S 2/1991 Cohen  
 D317,840 S 7/1991 Jagdat  
 5,123,132 A 6/1992 Dixon  
 5,127,120 A 7/1992 Mason  
 D334,107 S 3/1993 Johnson  
 D337,210 S 7/1993 Silverman  
 5,237,714 A 8/1993 Baron  
 D341,267 S 11/1993 Caldwell  
 5,279,310 A 1/1994 Hsien  
 5,363,524 A 11/1994 Lang  
 D361,905 S 9/1995 Adams et al.  
 5,457,832 A 10/1995 Tatum  
 5,481,771 A 1/1996 Burk, IV  
 D366,966 S 2/1996 Bonaddio et al.  
 D370,821 S 6/1996 Mata  
 D372,805 S 8/1996 Bonaddio et al.  
 D375,417 S 11/1996 Bonaddio et al.  
 5,630,651 A 5/1997 Fishbane  
 5,664,810 A 7/1997 Kato  
 5,662,597 A 9/1997 Chitwood  
 5,694,726 A 12/1997 Wu  
 5,708,998 A 1/1998 Torbik  
 5,727,267 A 3/1998 Keilhauer  
 5,797,154 A 8/1998 Contreras  
 5,809,594 A 9/1998 Isogai  
 5,819,485 A 10/1998 Lane et al.  
 D400,386 S 11/1998 Keilhauer  
 D400,387 S 11/1998 Denney  
 D404,238 S 1/1999 Keilhauer  
 D405,854 S 2/1999 Grant  
 D410,744 S 6/1999 Banister  
 5,916,185 A 6/1999 Chitwood  
 5,960,494 A \* 10/1999 Gilliland ..... A61G 13/12  
 5/638  
 D416,428 S \* 11/1999 Jackson ..... 5/644  
 6,000,401 A 12/1999 Herrick  
 D418,897 S 1/2000 Rembles  
 D444,560 S 7/2001 Berglund  
 D447,253 S 8/2001 Gardner  
 D447,577 S 9/2001 Gardner  
 D448,581 S 10/2001 Branch  
 D448,582 S 10/2001 Branch  
 6,345,401 B1 2/2002 Frydman  
 D454,180 S 3/2002 Wessels  
 6,381,784 B1 5/2002 Davis et al.  
 D458,049 S 6/2002 Prins et al.  
 D461,649 S 8/2002 Prins et al.  
 6,446,288 B1 9/2002 Pi  
 6,471,726 B2 10/2002 Wang  
 D473,063 S 4/2003 Pappas  
 D480,484 S 10/2003 Kakhiani  
 D484,618 S 12/2003 Kakhiani  
 D486,247 S 2/2004 Eichner et al.  
 6,704,957 B2 3/2004 Rhodes  
 D491,282 S 6/2004 Kakhiani  
 6,751,818 B2 6/2004 Troop  
 6,817,049 B1 11/2004 Hall  
 D499,816 S 12/2004 Eichner et al.  
 6,842,924 B1 \* 1/2005 Walters ..... A47C 20/026  
 5/636  
 D510,631 S 10/2005 Hsu  
 7,013,512 B1 3/2006 Hsu  
 D518,576 S 4/2006 Sevier et al.

D521,301 S 5/2006 Dickson  
 7,082,633 B1 8/2006 Maarbjerg  
 D531,315 S 10/2006 Caudra  
 D551,355 S 9/2007 Tao  
 D555,408 S 11/2007 Keilhauer  
 D573,830 S 7/2008 Kalatsky  
 D595,527 S 7/2009 Carter  
 D597,743 S 8/2009 Skinner  
 D615,210 S 5/2010 Woodhams et al.  
 D618,354 S 6/2010 Francucci et al.  
 D619,404 S 7/2010 Castillo  
 D623,305 S 9/2010 Tao  
 D635,265 S 3/2011 Coffey et al.  
 D635,271 S 3/2011 Azar et al.  
 D637,030 S 5/2011 Khandai  
 D638,646 S 5/2011 Penza  
 D642,278 S \* 7/2011 Sharps ..... D24/184  
 D646,498 S 10/2011 Blasini et al.  
 D651,368 S 12/2011 Seliskar et al.  
 D664,256 S 7/2012 Dennewald  
 D665,503 S 8/2012 Dennewald  
 D672,879 S 12/2012 Hawkins  
 D678,539 S 3/2013 Narson  
 8,393,027 B2 3/2013 Weisberg  
 D680,654 S 4/2013 Borreli  
 D681,994 S 5/2013 Morgan, II  
 D684,394 S 6/2013 Leemkuil  
 D688,379 S 8/2013 Ehlers  
 D701,710 S 4/2014 Martinez  
 8,713,732 B2 5/2014 Dennewald  
 D708,754 S 7/2014 Harangvolgyi  
 D710,021 S 7/2014 Blaine et al.  
 D715,452 S 10/2014 Schiavon  
 D718,074 S \* 11/2014 Savolainen ..... D6/601  
 D736,397 S 8/2015 McAviney et al.  
 D739,036 S 9/2015 McAviney et al.  
 9,131,792 B1 \* 9/2015 Wagner ..... A47G 9/1063  
 9,186,004 B2 11/2015 Dennewald  
 D745,786 S 12/2015 Ko  
 D748,406 S 2/2016 Pham  
 D751,314 S 3/2016 Meyer  
 D756,687 S \* 5/2016 Durkin ..... D6/601  
 D764,062 S 8/2016 Dennewald  
 D785,184 S \* 4/2017 Higgins ..... D24/184  
 D800,480 S \* 10/2017 Paperno ..... A41B 13/06  
 D6/596  
 D808,686 S \* 1/2018 May ..... D6/601  
 D848,763 S \* 5/2019 Potter ..... D6/601  
 D869,660 S \* 12/2019 Samaan ..... D24/184  
 2004/0006822 A1 1/2004 Milligan  
 2004/0068799 A1 4/2004 Wilson  
 2004/0194214 A1 10/2004 Troop  
 2005/0060807 A1 3/2005 Kaizuka  
 2005/0177944 A1 8/2005 Kang et al.  
 2007/0101503 A1 5/2007 Dennewald  
 2007/0113348 A1 5/2007 Ramaiah  
 2007/0277319 A1 \* 12/2007 Calvert ..... A47G 9/1009  
 5/638  
 2008/0115284 A1 5/2008 Hiatt  
 2011/0162146 A1 7/2011 Frydman  
 2014/0076330 A1 3/2014 Rolle et al.

FOREIGN PATENT DOCUMENTS

CN 2505048 Y 8/2002  
 CN 2812877 Y 9/2006  
 CN 2824881 Y 10/2006  
 CN 2850576 Y 12/2006  
 JP 3102917 U 4/2004  
 JP 3108760 U 2/2005

OTHER PUBLICATIONS

Printouts from <https://completesleeprrr.com/>; last accessed Jul. 8, 2020.

\* cited by examiner



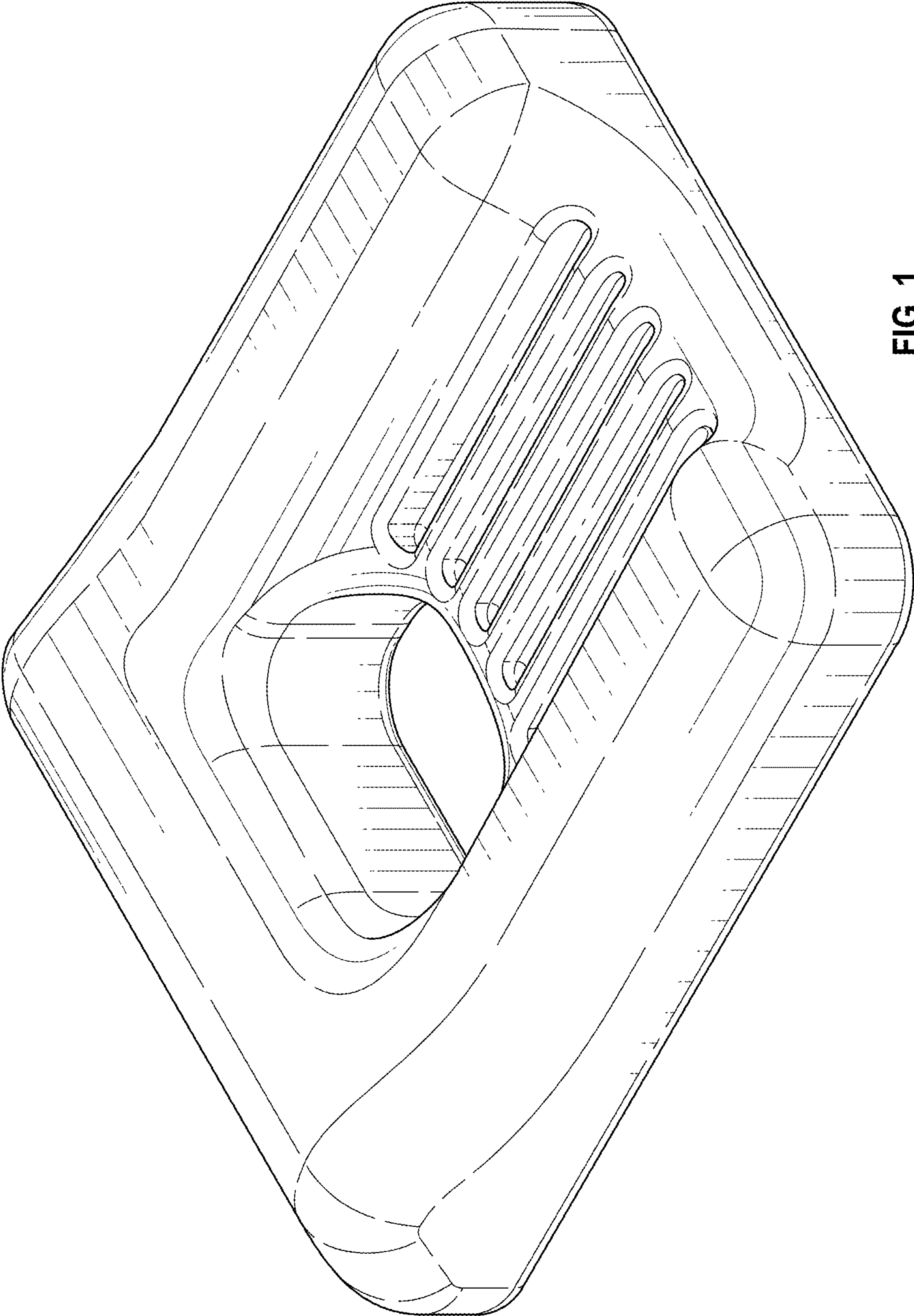


FIG. 1

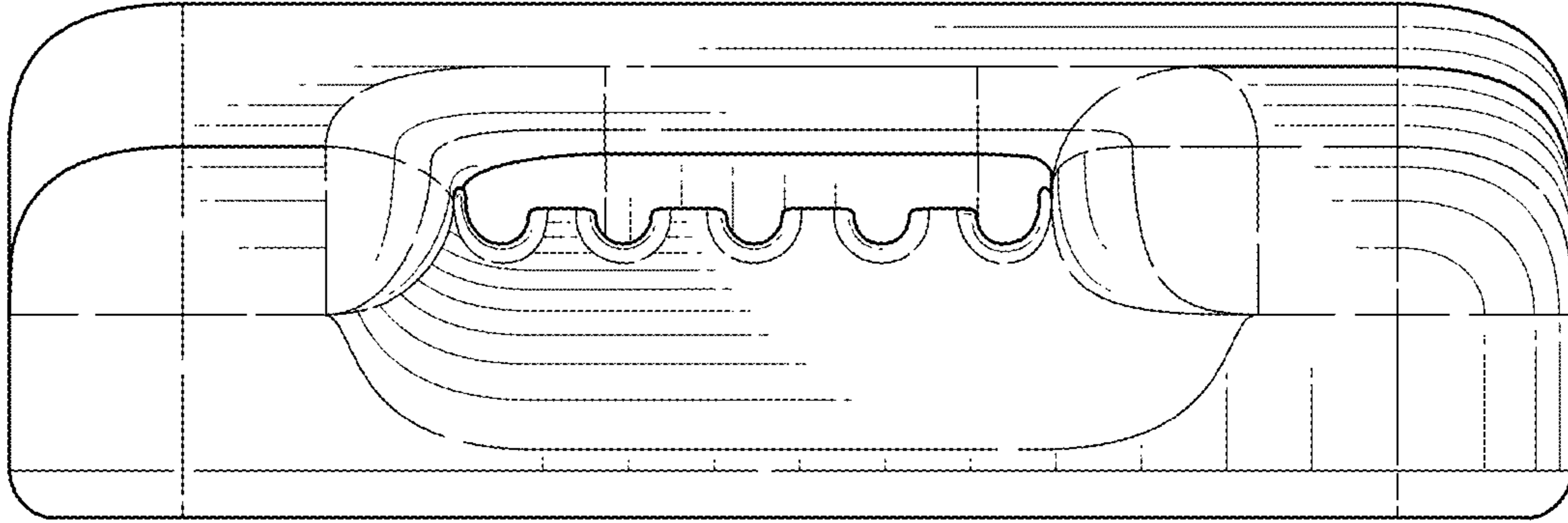


FIG. 2

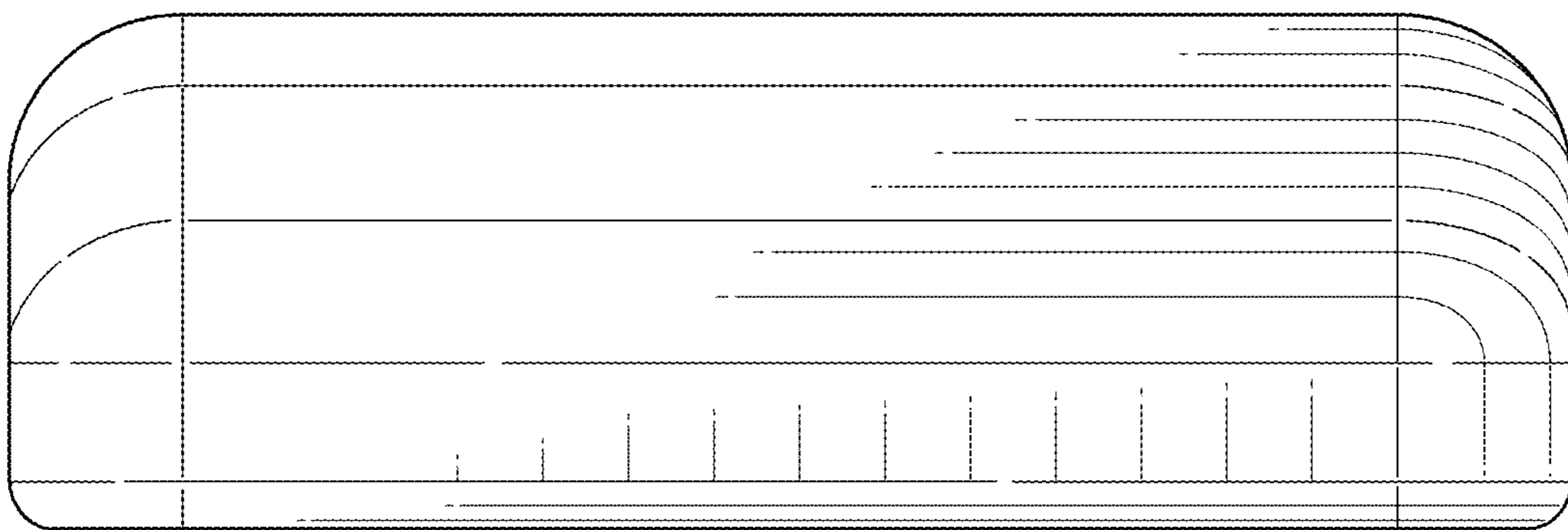


FIG. 3

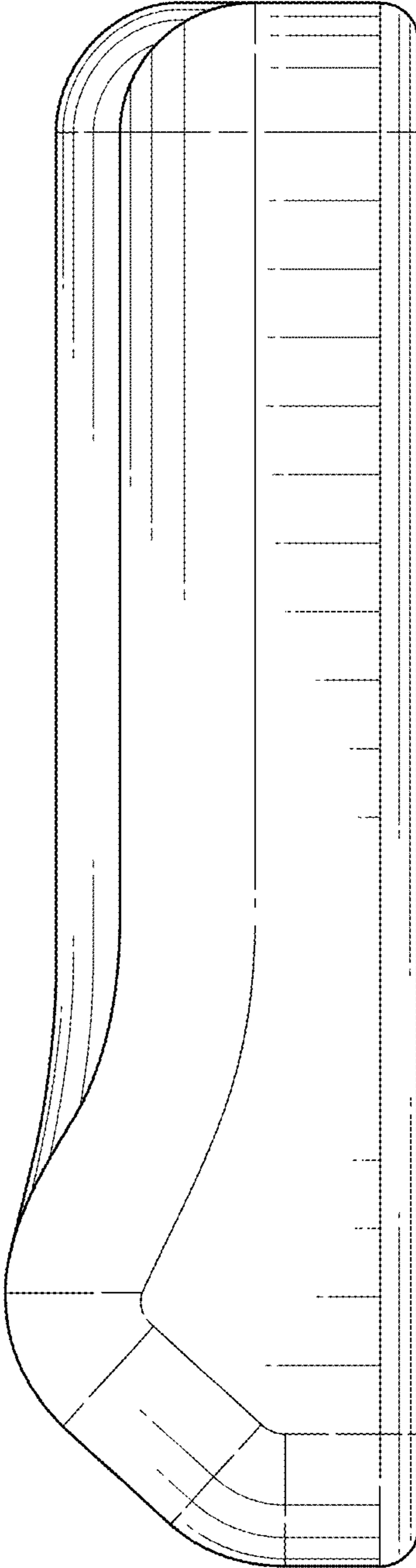


FIG. 4

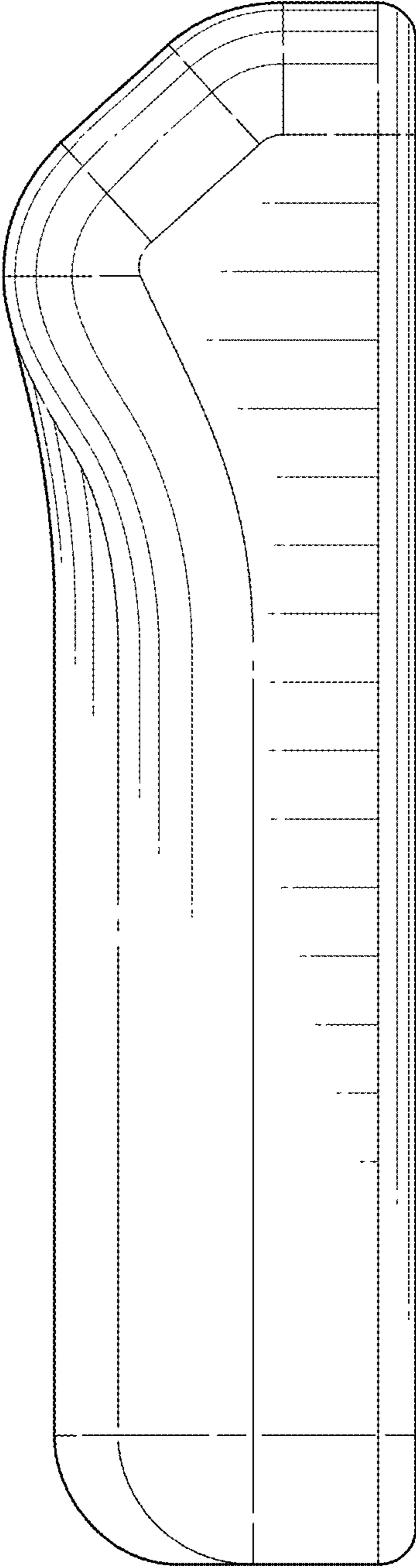


FIG. 5

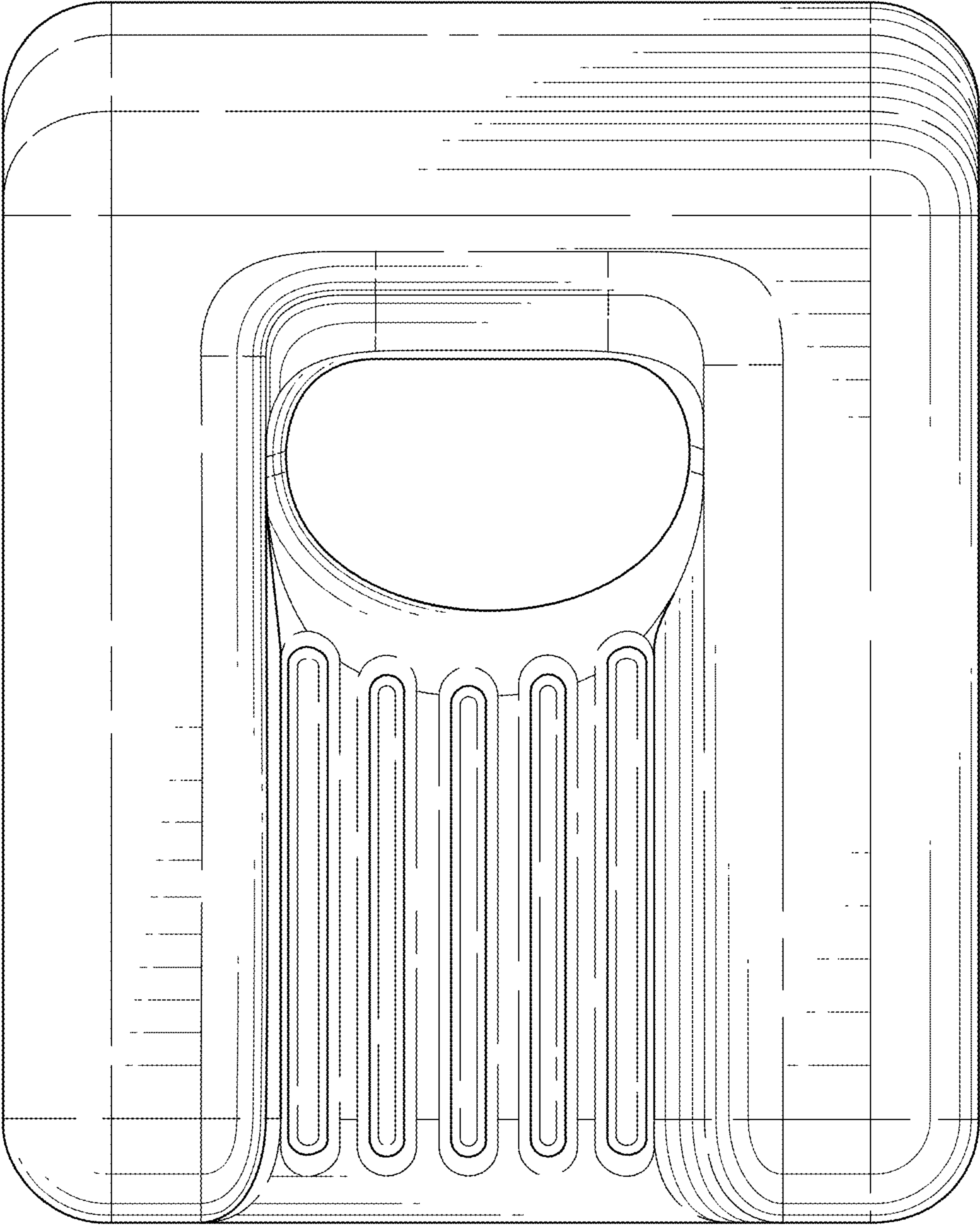


FIG. 6

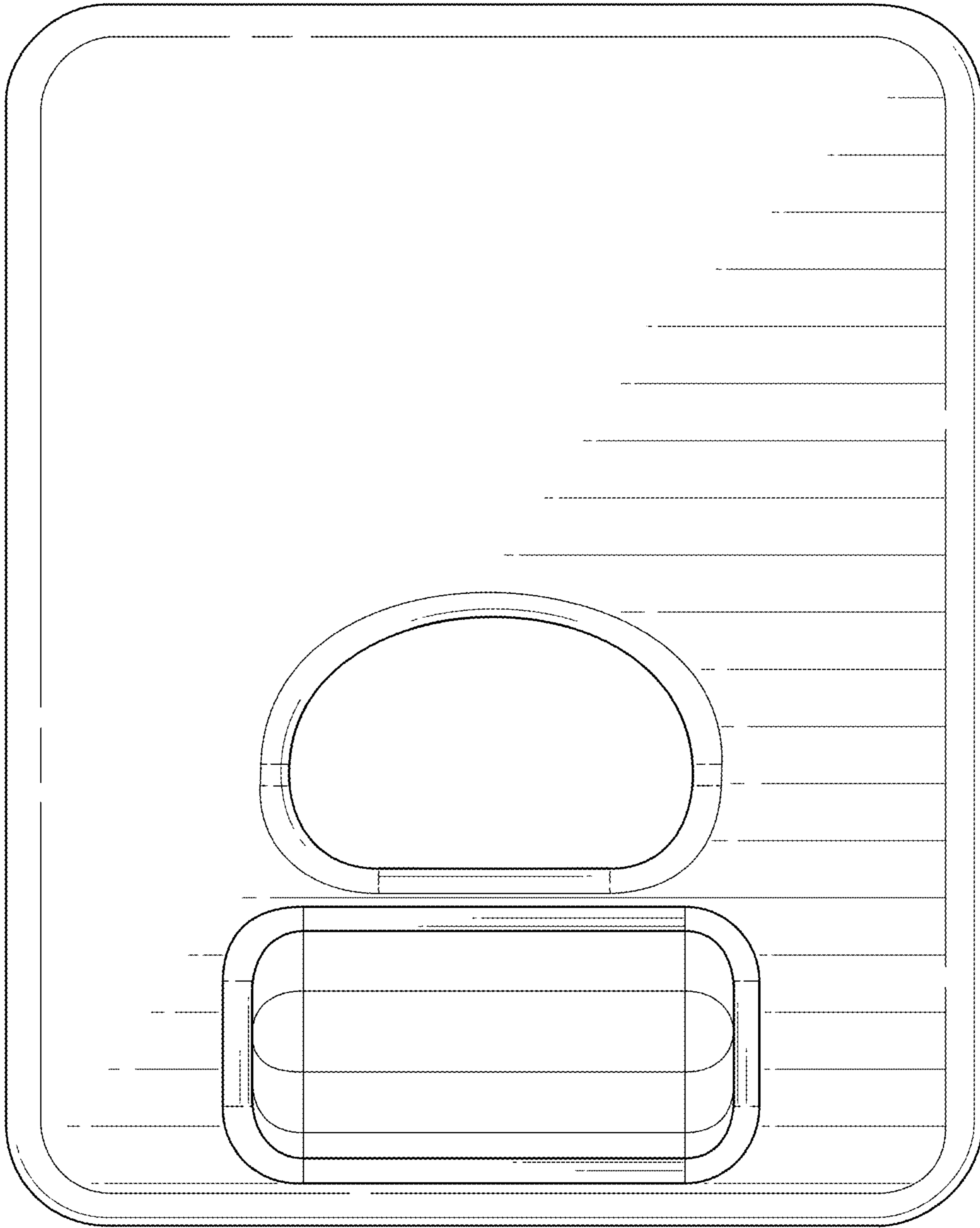


FIG. 7



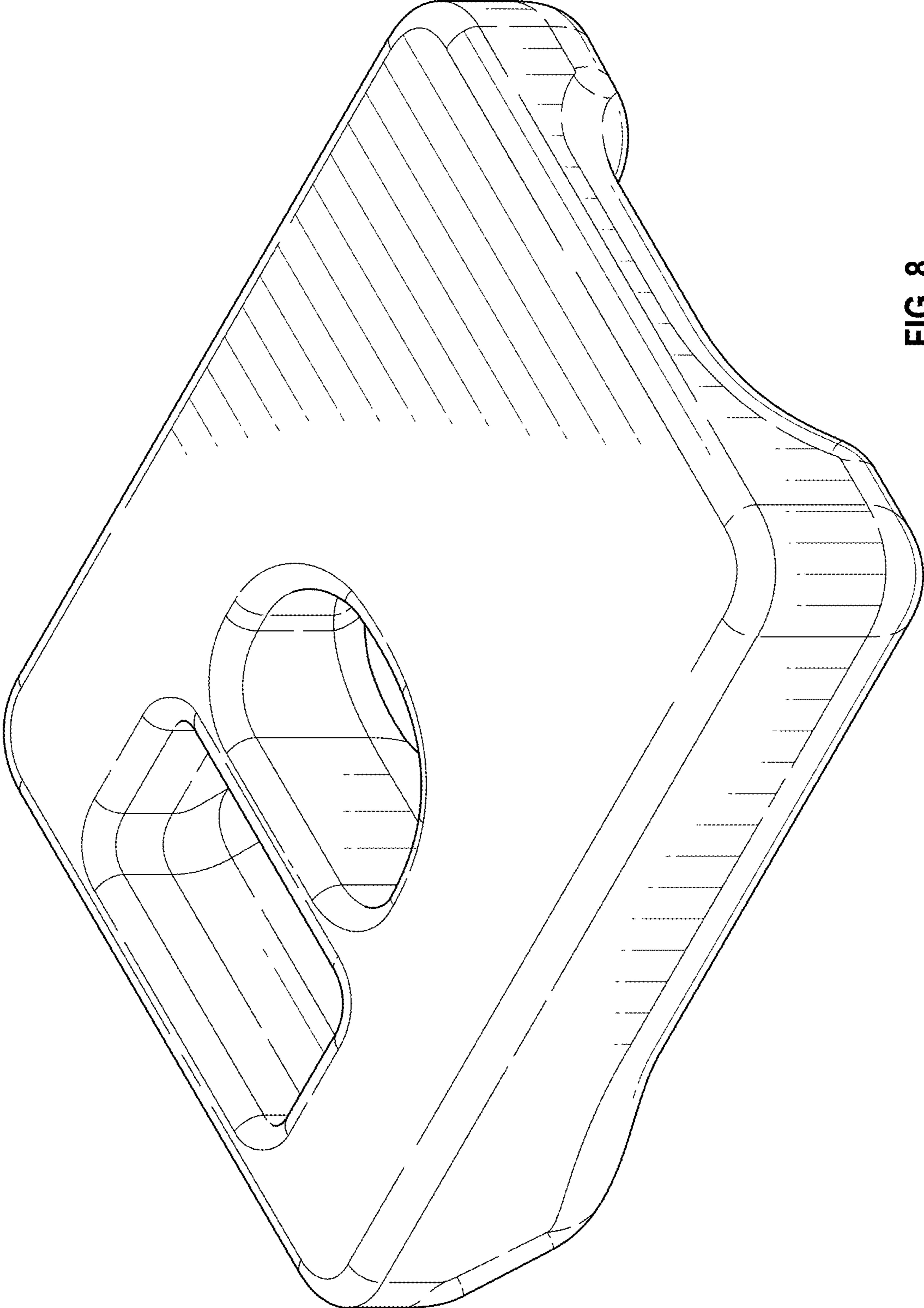


FIG. 8