



US00D910335S

(12) **United States Design Patent** (10) **Patent No.:** **US D910,335 S**
Stanley (45) **Date of Patent:** **** Feb. 16, 2021**

(54) **WINDOW COVER**

(71) Applicant: **Timothy E. Stanley**, Greensboro, NC (US)

(72) Inventor: **Timothy E. Stanley**, Greensboro, NC (US)

(73) Assignee: **Blackout EZ, LLC**, Greensboro, NC (US)

(**) Term: **15 Years**

(21) Appl. No.: **29/664,380**

(22) Filed: **Sep. 25, 2018**

(51) **LOC (13) Cl.** **06-11**

(52) **U.S. Cl.**
USPC **D6/575**

(58) **Field of Classification Search**
USPC D6/575, 578-580
CPC A47H 2023/003; A47H 2023/025; A47H 2201/01; A47H 23/00; A47H 23/01; A47H 23/05; A47H 23/10; A47K 3/38
See application file for complete search history.

(56) **References Cited**

U.S. PATENT DOCUMENTS

1,615,931	A *	2/1927	Cann	F01P 7/10 160/239
1,757,017	A *	5/1930	Matovitz	A47H 23/01 160/392
D362,147	S *	9/1995	Voccia	A47H 23/01 D6/575
D635,845	S *	4/2011	Pierce	E06B 5/164 D8/367
D728,264	S *	5/2015	Bacolas	E06B 3/7001 D6/575

(Continued)

OTHER PUBLICATIONS

Lockdown Shades for Classroom Doors by GoldenThimbleDesigns. Sold on etsy.com. Apr. 27, 2019. Accessed on Jun. 6, 2019. (Year: 2019).*

(Continued)

Primary Examiner — Kevin K Rudzinski

Assistant Examiner — Clare Ann Gannon

(74) *Attorney, Agent, or Firm* — Tuggle Duggins P.A.;
Blake P. Hurt

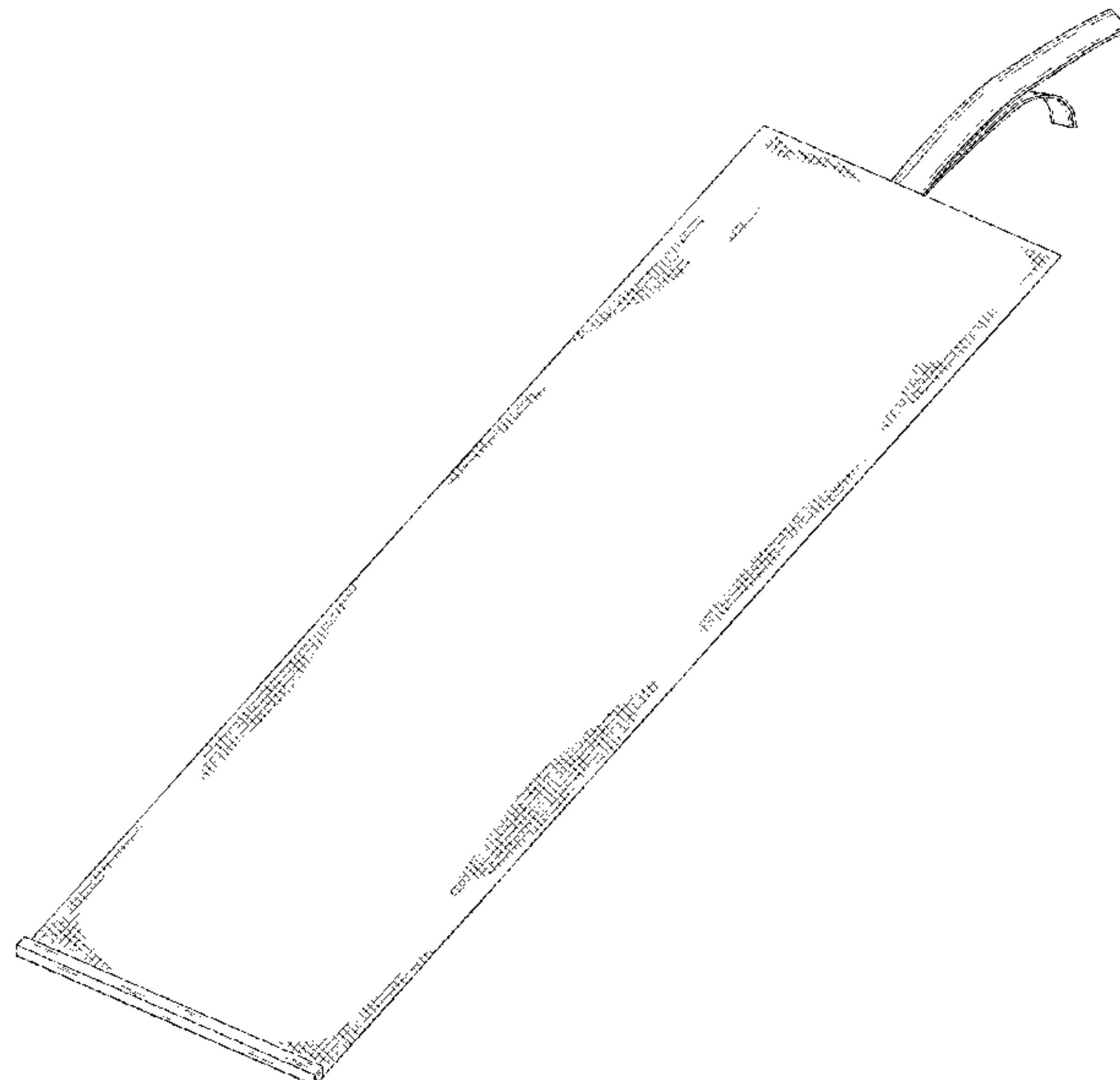
(57) **CLAIM**

The ornamental design for a window cover, as shown and described.

DESCRIPTION

FIG. 1 is a front, perspective view of a window cover showing my new design;
FIG. 2 is a front elevational view thereof;
FIG. 3 is a rear elevational view thereof;
FIG. 4 is a left side elevational view thereof, the right side elevational view being a mirror image thereof;
FIG. 5 is a right side elevational view of a second embodiment of a window cover shown with break lines, that being the only difference from the embodiment shown in FIGS. 1-4 and 6-7, the break lines symbolizing breaks in the length of the article in which the claimed design is embodied, the appearance of any portion of the article between the break lines forms no part of the claimed design;
FIG. 6 is a bottom plan view thereof;
FIG. 7 is top plan view thereof; and,
FIG. 8 is a front elevational view of a third embodiment of a window cover shown with break lines, that being the only difference from the embodiment shown in FIGS. 1-4 and 6-7, the break lines symbolizing breaks in the width of the article in which the claimed design is embodied, the appearance of any portion of the article between the break lines forms no part of the claimed design.
The broken lines in FIGS. 3 and 8 depict environmental structure that forms no part of the claimed design.

1 Claim, 8 Drawing Sheets



(56)

References Cited

U.S. PATENT DOCUMENTS

D798,767 S * 10/2017 Skinner D11/165
D860,682 S * 9/2019 Gaetano F01P 7/10
D6/575
D880,897 S * 4/2020 Norton D6/575
2009/0047535 A1* 2/2009 Crilly E06B 3/7001
428/542.6
2010/0155001 A1* 6/2010 Bolton E06B 7/28
160/368.1
2014/0260017 A1* 9/2014 Noble, III E06B 5/164
52/232
2015/0259973 A1* 9/2015 Beaudoin E06B 9/04
49/394

OTHER PUBLICATIONS

Teacher Window Covers by Gigislovepresents. Sold on etsy.com.
Apr. 5, 2019. Accessed on Jun. 6, 2019. (Year: 2019).*
"10 Best Organizing Tips for the Classroom" Rockin Resources.
Aug. 10, 2014. Accessed on Jun. 6, 2019. (Year: 2014).*

* cited by examiner

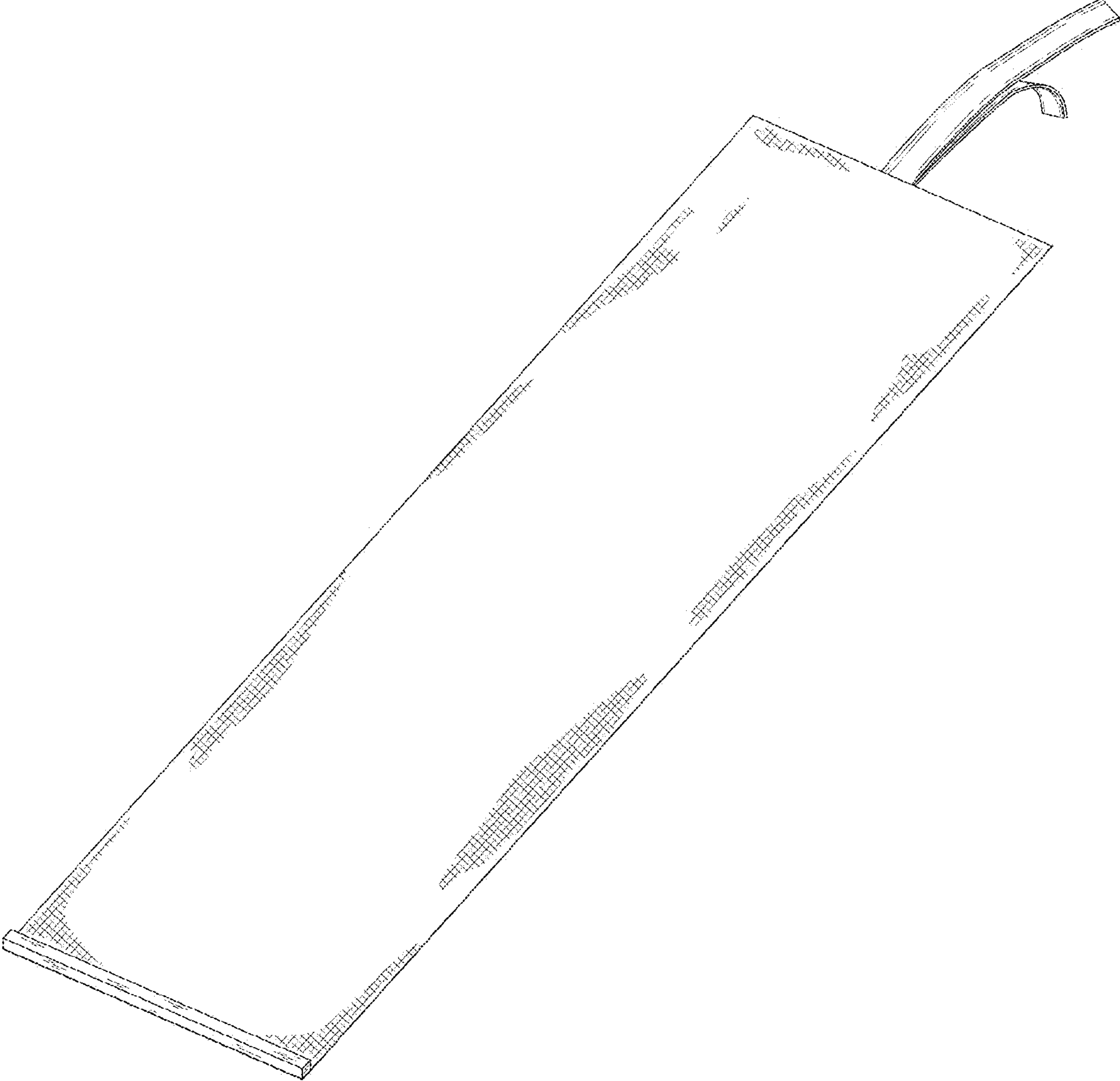


Fig. 1

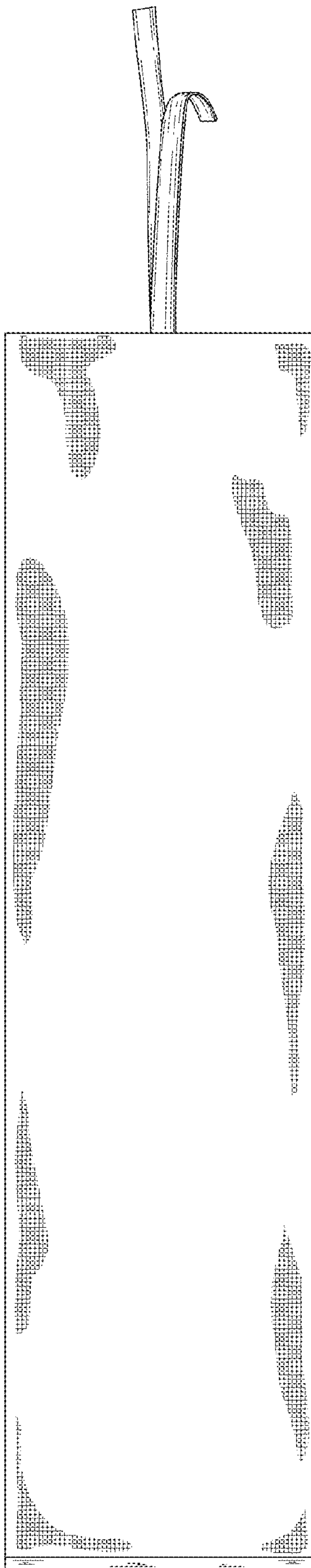


Fig. 2

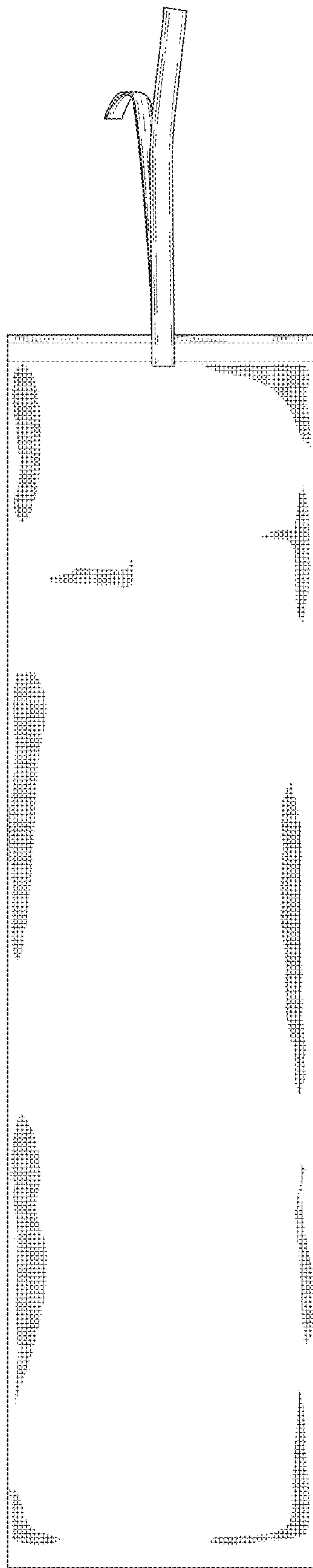


Fig. 3

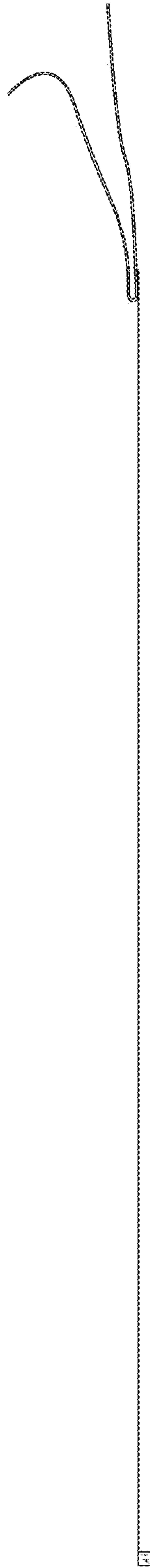


Fig. 4

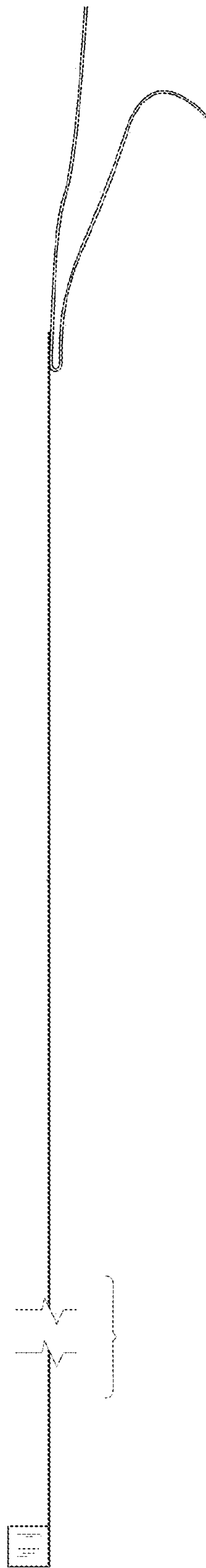


Fig. 5

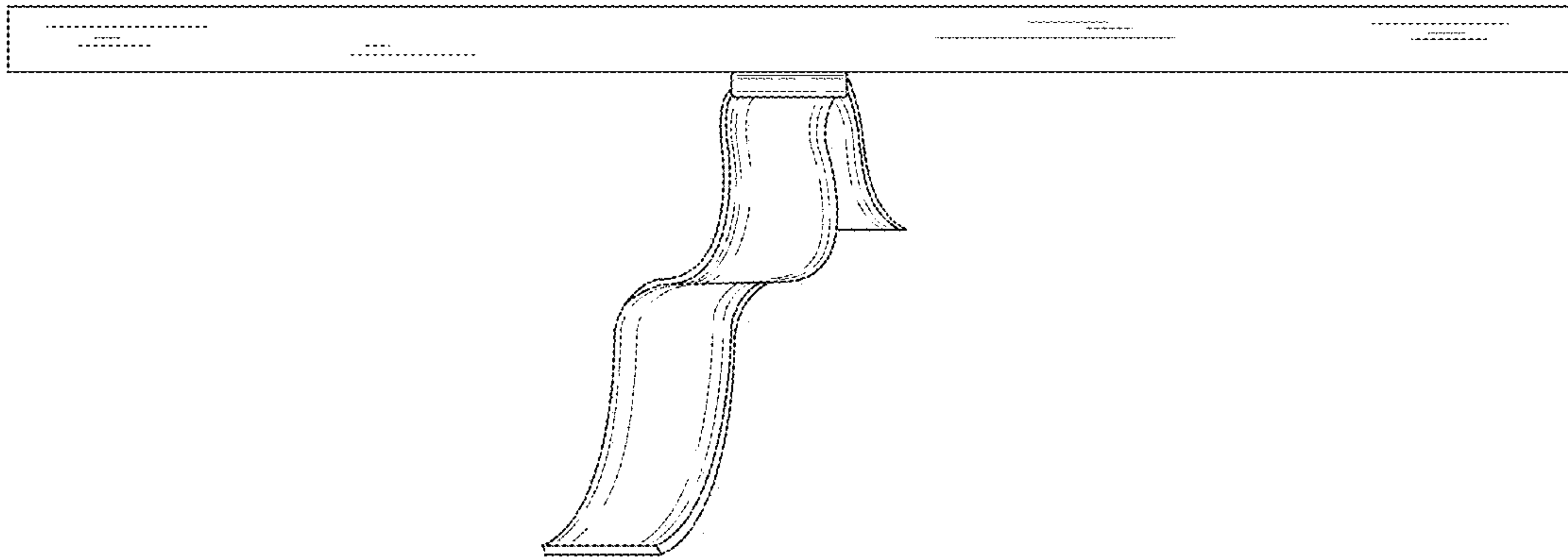


Fig. 6

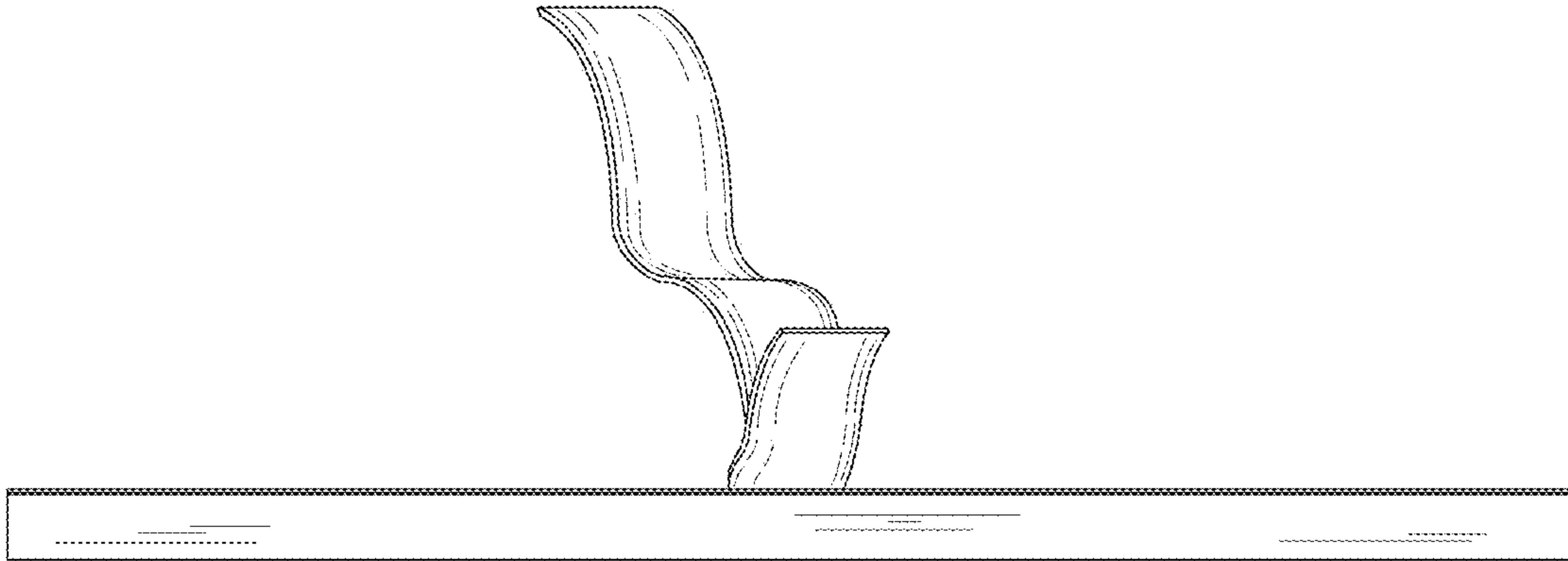


Fig. 7

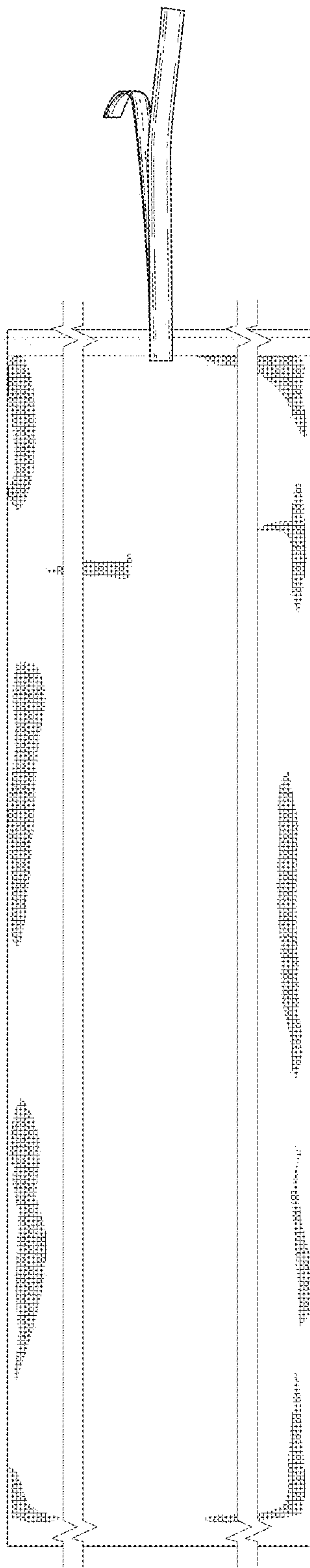


Fig. 8