



US00D910333S

(12) **United States Design Patent** (10) **Patent No.:** **US D910,333 S**
Davis et al. (45) **Date of Patent:** **** Feb. 16, 2021**

(54) **SHELF**
(71) Applicants: **Carolyn Davis**, New York (AU);
Matthew Page, New York (AU)
(72) Inventors: **Carolyn Davis**, New York (AU);
Matthew Page, New York (AU)
(**) Term: **15 Years**
(21) Appl. No.: **29/698,406**
(22) Filed: **Jul. 16, 2019**
(51) **LOC (13) Cl.** **06-04**
(52) **U.S. Cl.**
USPC **D6/574**
(58) **Field of Classification Search**
USPC D6/574, 512, 524, 552, 553, 572, 573,
D6/569, 672, 673, 675, 675.1, 705, 560;
211/13.1, 42, 71.01, 86.01, 57.01, 88.01,
211/88.03, 90.01, 90.03, 126.1, 133.5,
211/134, 153, 182; 108/28-29, 152;
248/205.3, 235, 243, 247, 249, 250;
D3/304-305, 319
CPC A47B 43/00; A47B 43/04; A47B 47/0066;
A47B 47/04; A47B 63/00; A47B 69/00;
A47B 71/00; B65D 51/00
See application file for complete search history.

(56) **References Cited**
U.S. PATENT DOCUMENTS
1,894,145 A * 1/1933 Andler A47B 5/04
108/38
2,911,108 A * 11/1959 Nield A47B 5/04
108/152
D299,892 S * 2/1989 Rose D6/566

5,044,285 A * 9/1991 Wolfe, III A47B 96/066
108/152
D403,546 S * 1/1999 Moon D6/574
D436,269 S * 1/2001 Kane D6/341
D458,092 S * 6/2002 Rumpf D6/574
7,093,726 B1 * 8/2006 Holztrager A47F 5/0043
211/153
D690,533 S * 10/2013 Majcher D6/574
D728,286 S * 5/2015 Leinberger D6/705
D816,372 S * 5/2018 Berkowitz D6/567
D837,561 S * 1/2019 Williamson D6/553
D880,190 S * 4/2020 Williams D6/553

* cited by examiner

Primary Examiner — Nathan M Johnston
(74) *Attorney, Agent, or Firm* — Andrew Morabito

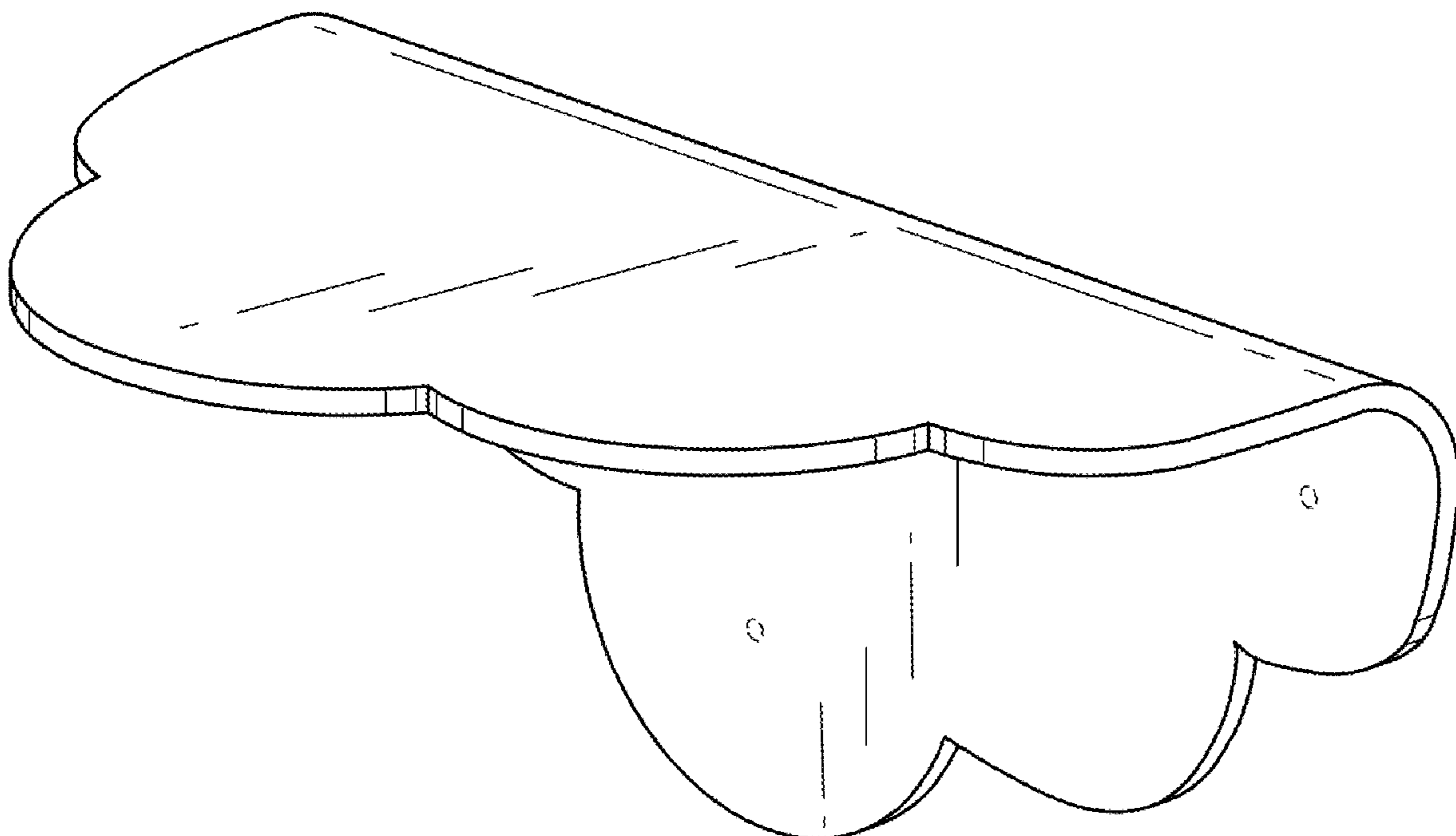
(57) **CLAIM**

The ornamental design for a shelf, as shown and described.

DESCRIPTION

FIG. 1 is a front perspective of a shelf showing our new design;
FIG. 2 is a rear perspective view of the shelf view thereof;
FIG. 3 is front view of the shelf view thereof;
FIG. 4 is back view of the shelf view thereof;
FIG. 5 is side view of the shelf view thereof;
FIG. 6 is side view of the shelf view thereof;
FIG. 7 is top view of the shelf view thereof; and,
FIG. 8 is bottom view of the shelf view thereof.
The broken lines represent unclaimed boundaries of the design. The unshaded regions and regions demarcated by broken lines form no part of the claimed design. The broken lines showing the/a mounting points are for environmental purposes only and form no part of the claimed design.

1 Claim, 4 Drawing Sheets



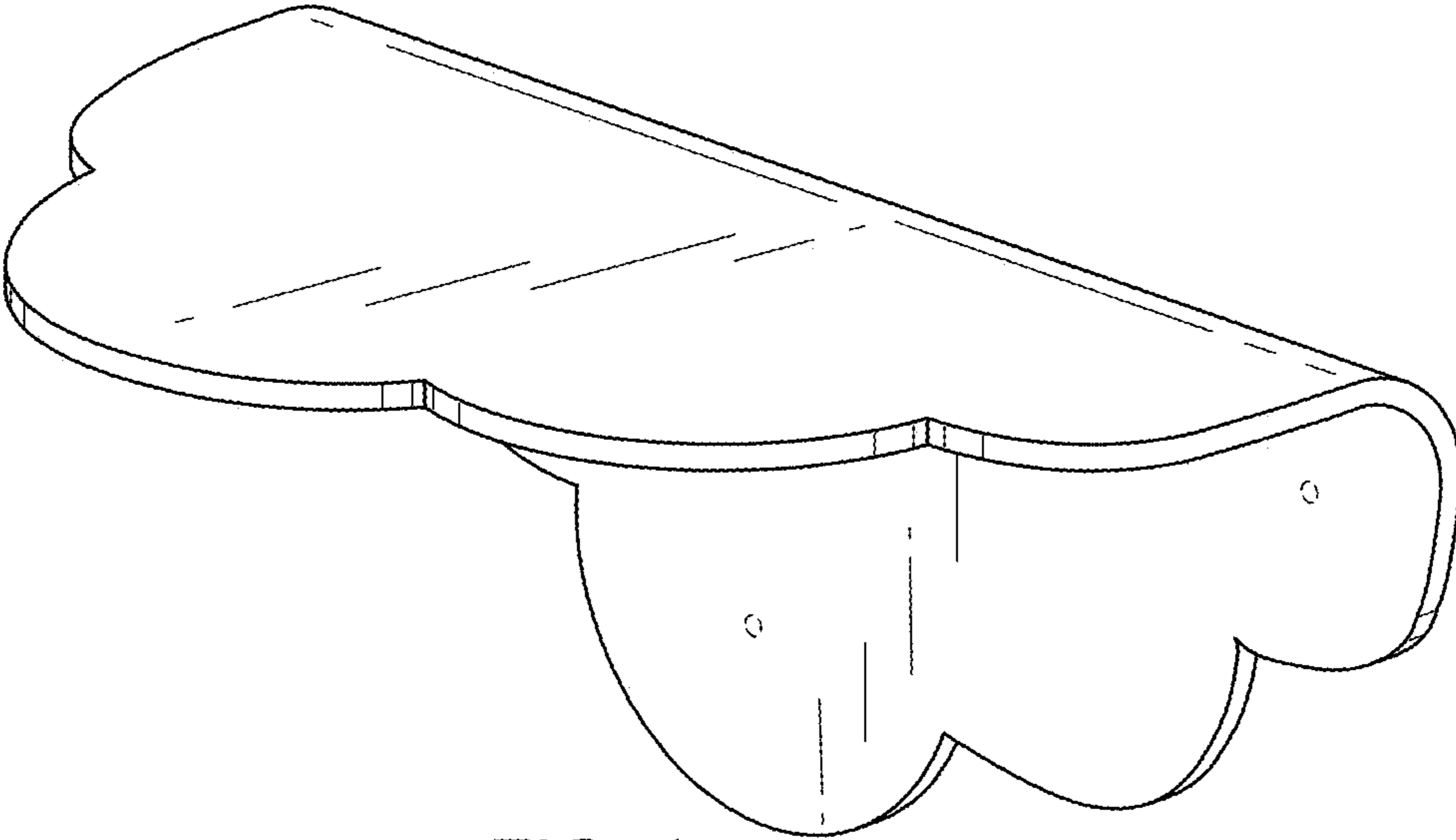


FIG. 1

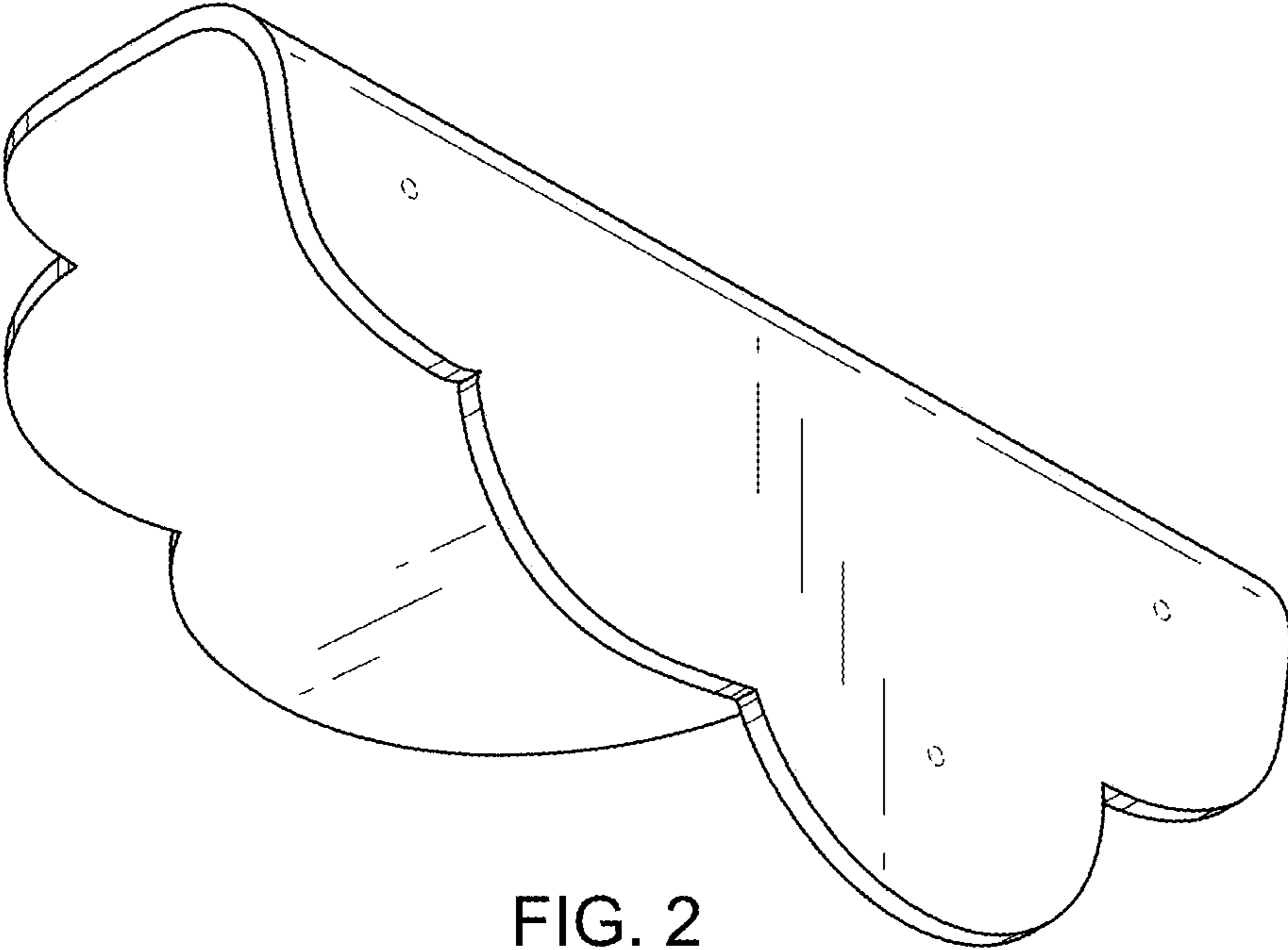


FIG. 2

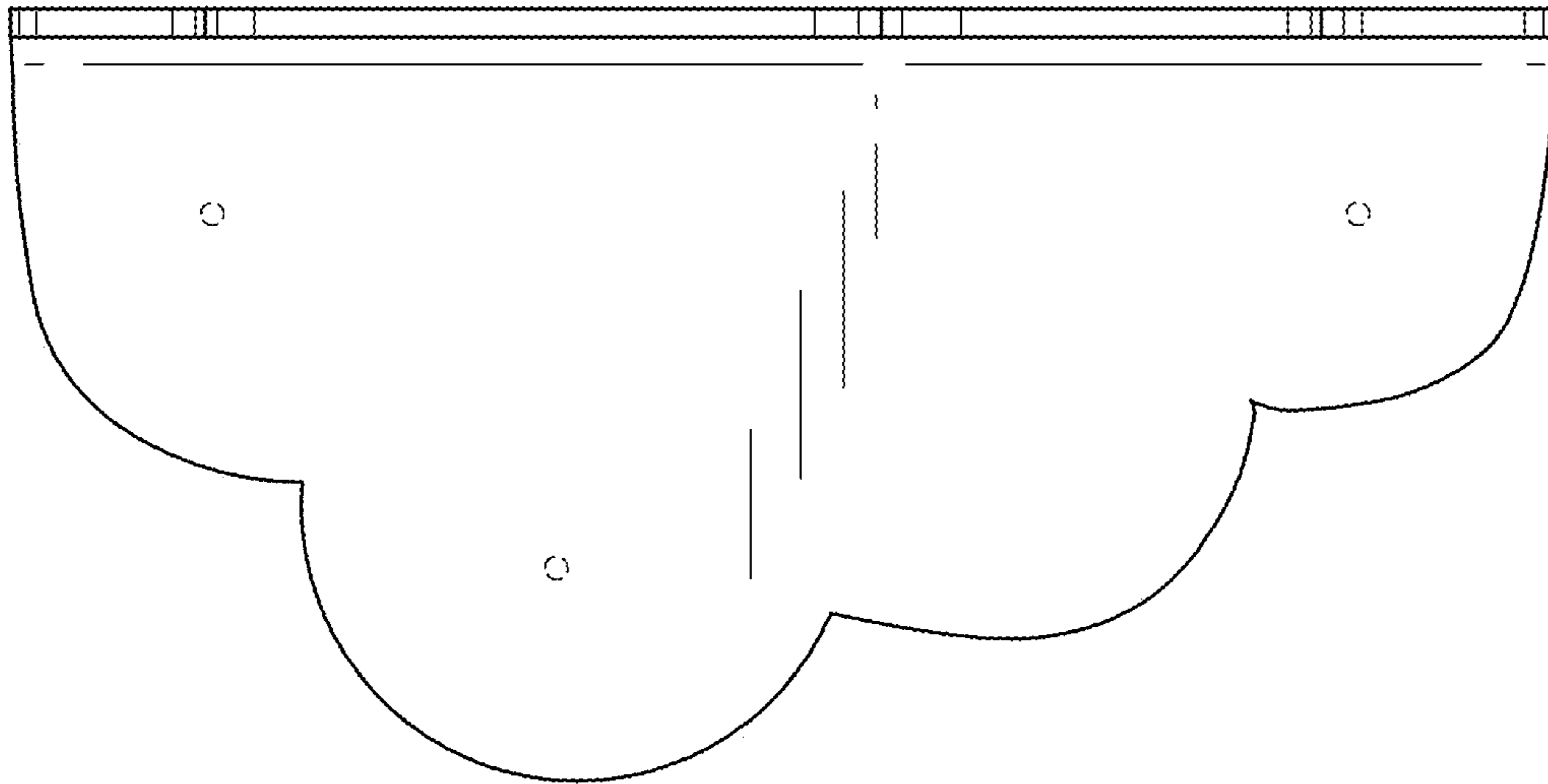


FIG. 3

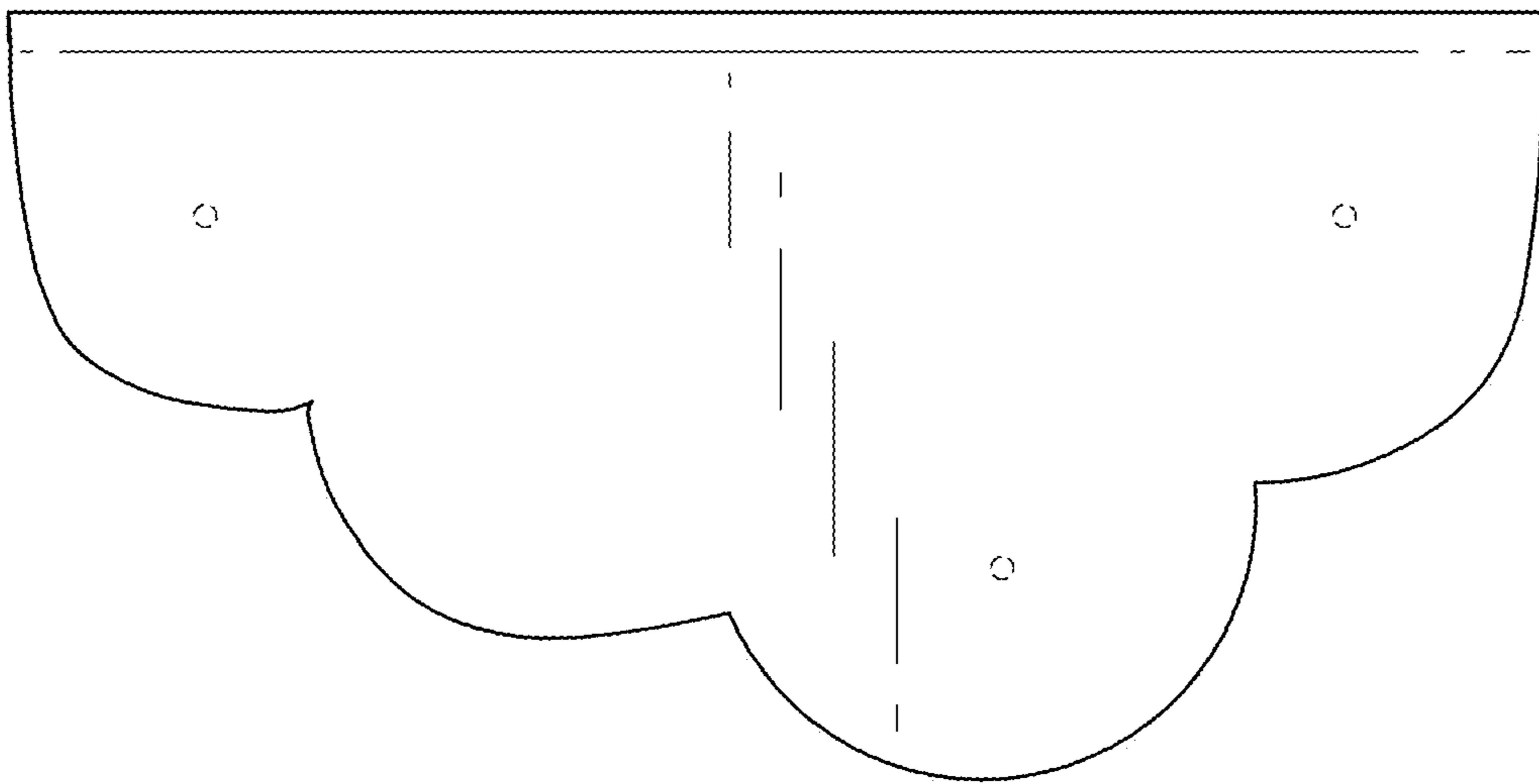


FIG. 4

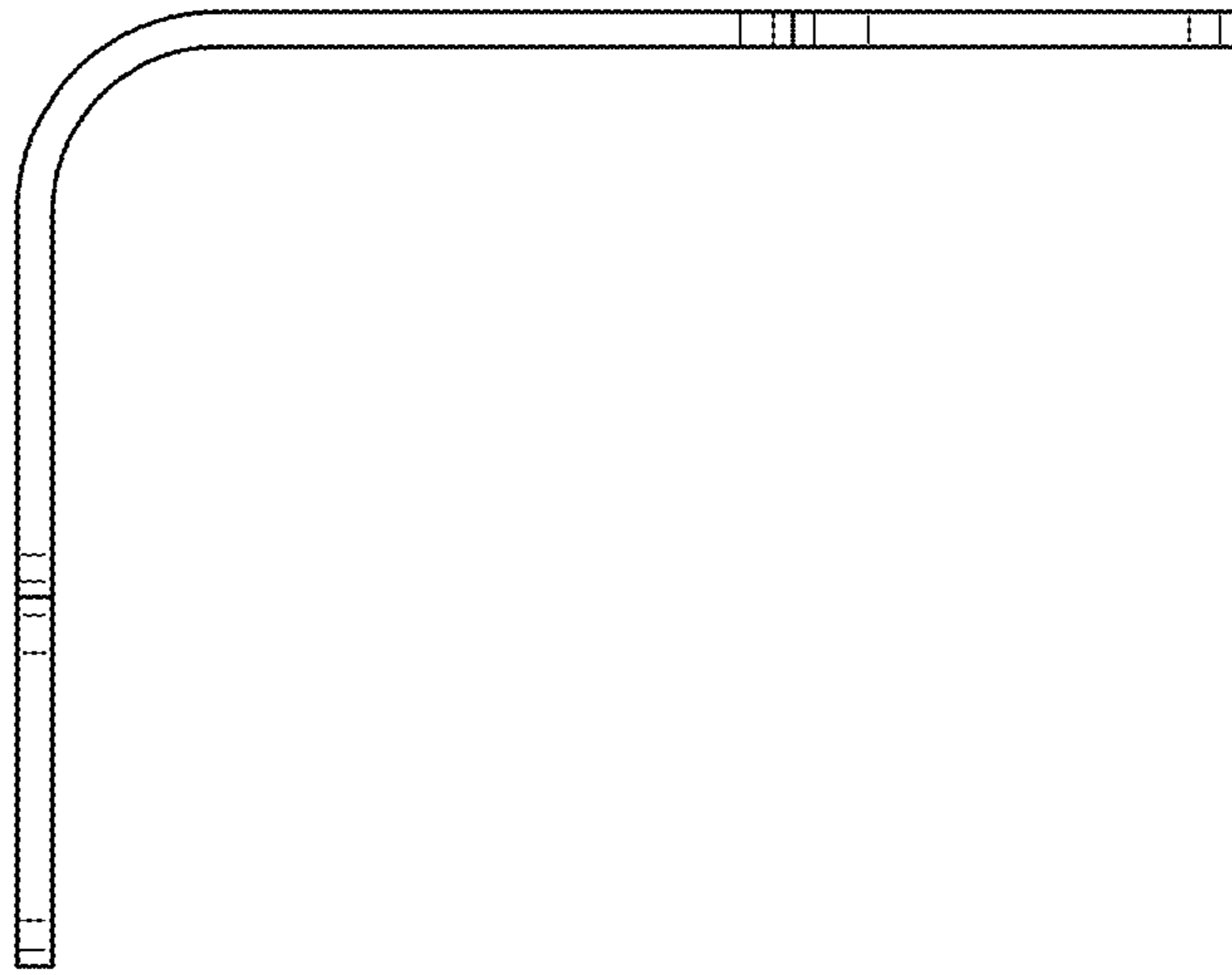


FIG. 5

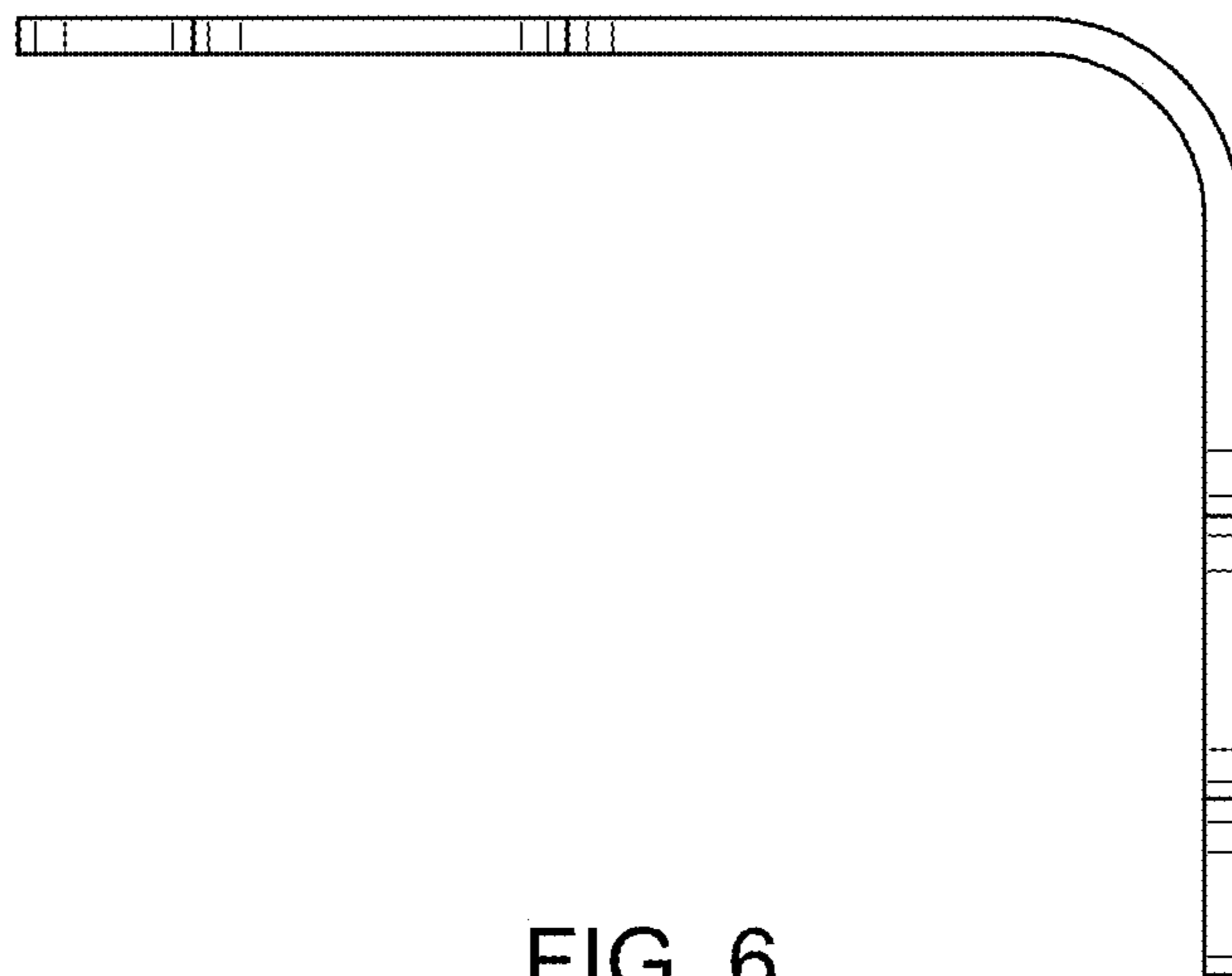


FIG. 6

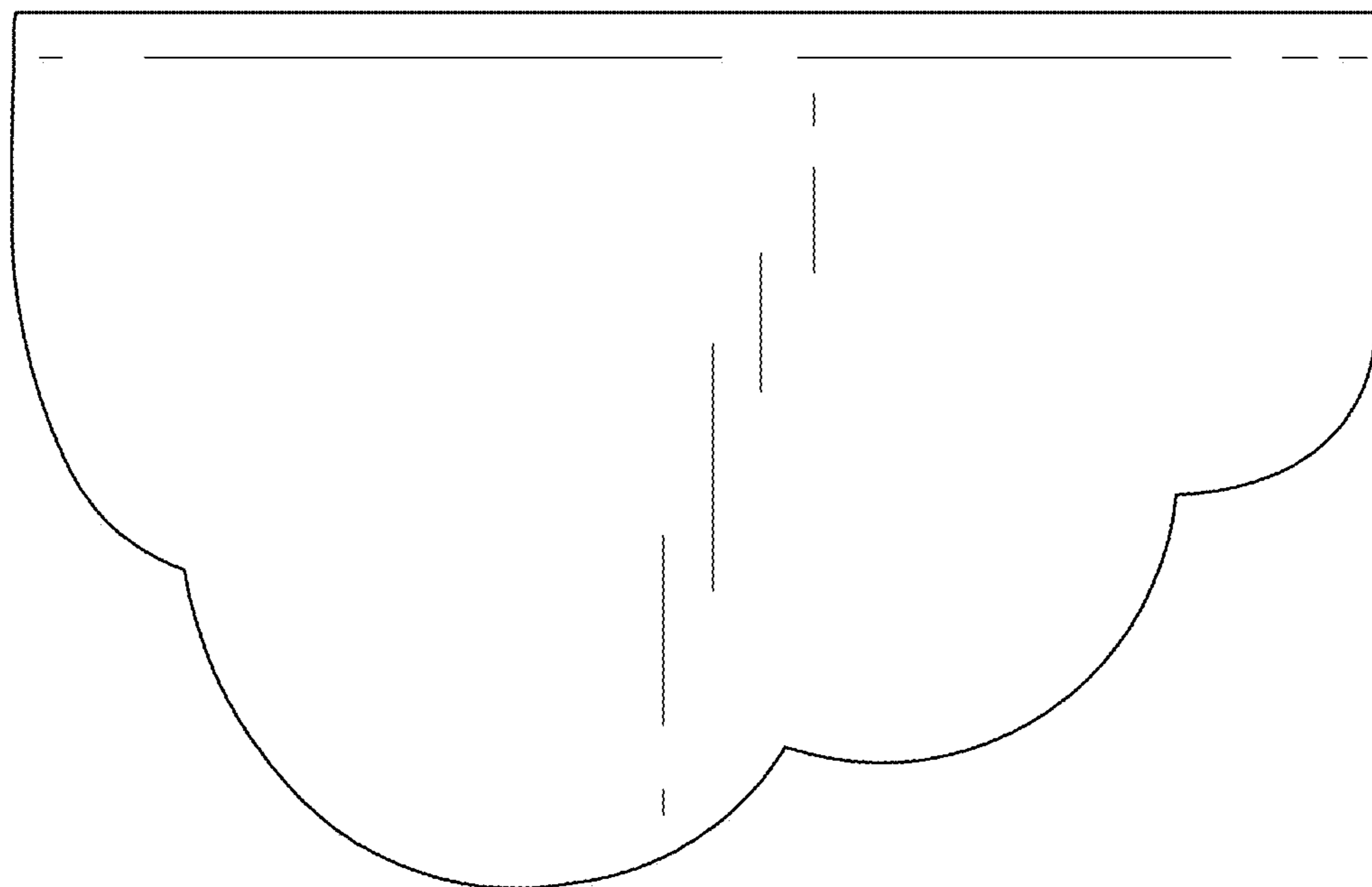


FIG. 7

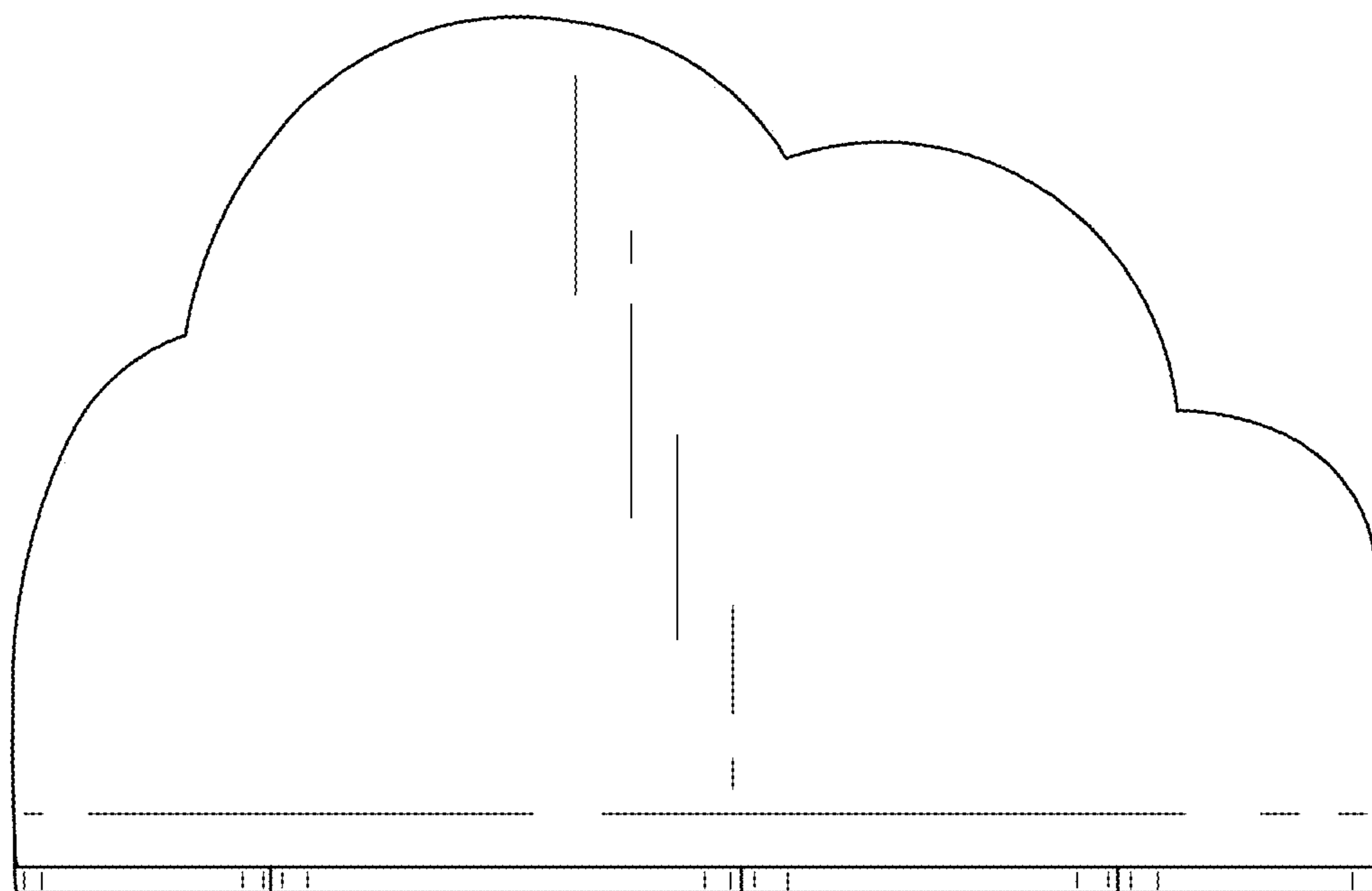


FIG. 8